

[54] FOOD PROCESSOR

[75] Inventor: Akio Mikami, Osaka, Japan

[73] Assignee: Matsushita Electric Industrial Co., Ltd., Osaka, Japan

[**] Term: 14 Years

[21] Appl. No.: 804,000

[22] Filed: Nov. 6, 1985

[30] Foreign Application Priority Data

May 9, 1985 [JP] Japan 60-18967

[52] U.S. Cl. D7/384; D7/378; D7/381

[58] Field of Search D7/384, 383, 49, 368, D7/372, 374, 376, 377, 378, 381, 323

[56] References Cited

U.S. PATENT DOCUMENTS

- D. 230,941 3/1974 Marrie D7/381
- D. 256,766 9/1980 Amiot D7/384
- D. 259,992 7/1981 Kahlcke D7/384 X
- 4,095,751 6/1978 Artin D7/384 X

OTHER PUBLICATIONS

Moulinette SE Food Processor, 1984 advertisement, pp. 2 and 3 by "Moulinex" Products, Inc.

Merchandising, Apr., 1984, p. 14, Hamilton Beach Food Processor-left top item.

HFD-Retailing Home Furnishings, supplement by Moulinex Products, Inc., Apr. 30, 1979, p. 2, "La Grande Machine".

Primary Examiner—Winifred E. Herrmann

Attorney, Agent, or Firm—Sughrue, Mion, Zinn, Macpeak & Seas

[57] CLAIM

The ornamental design for a food processor, as shown.

DESCRIPTION

FIG. 1 is a front, top and left side perspective view of a food processor showing my new design;

FIG. 2 is a rear, bottom and right side perspective view thereof;

FIG. 3 is a front elevational view thereof;

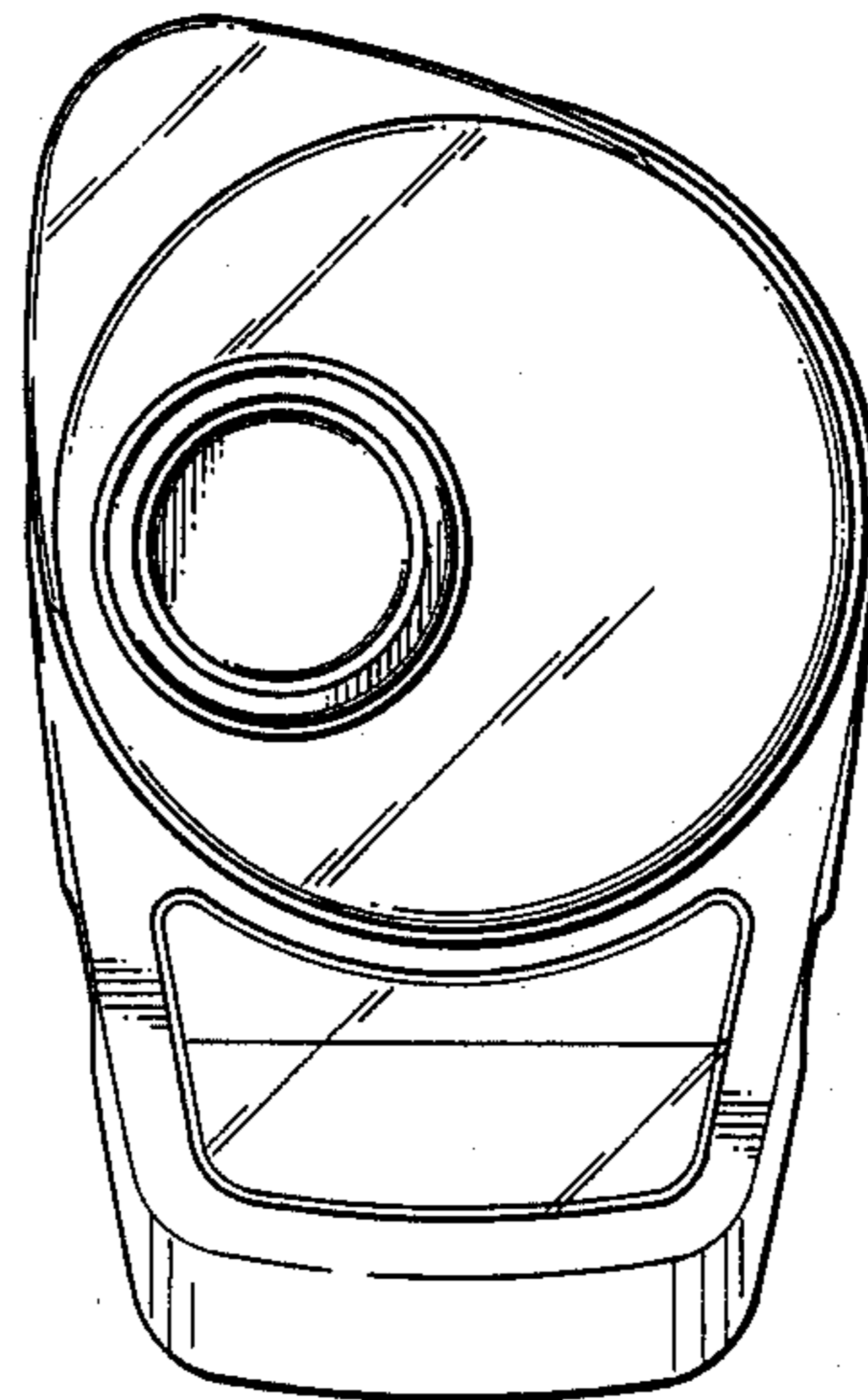
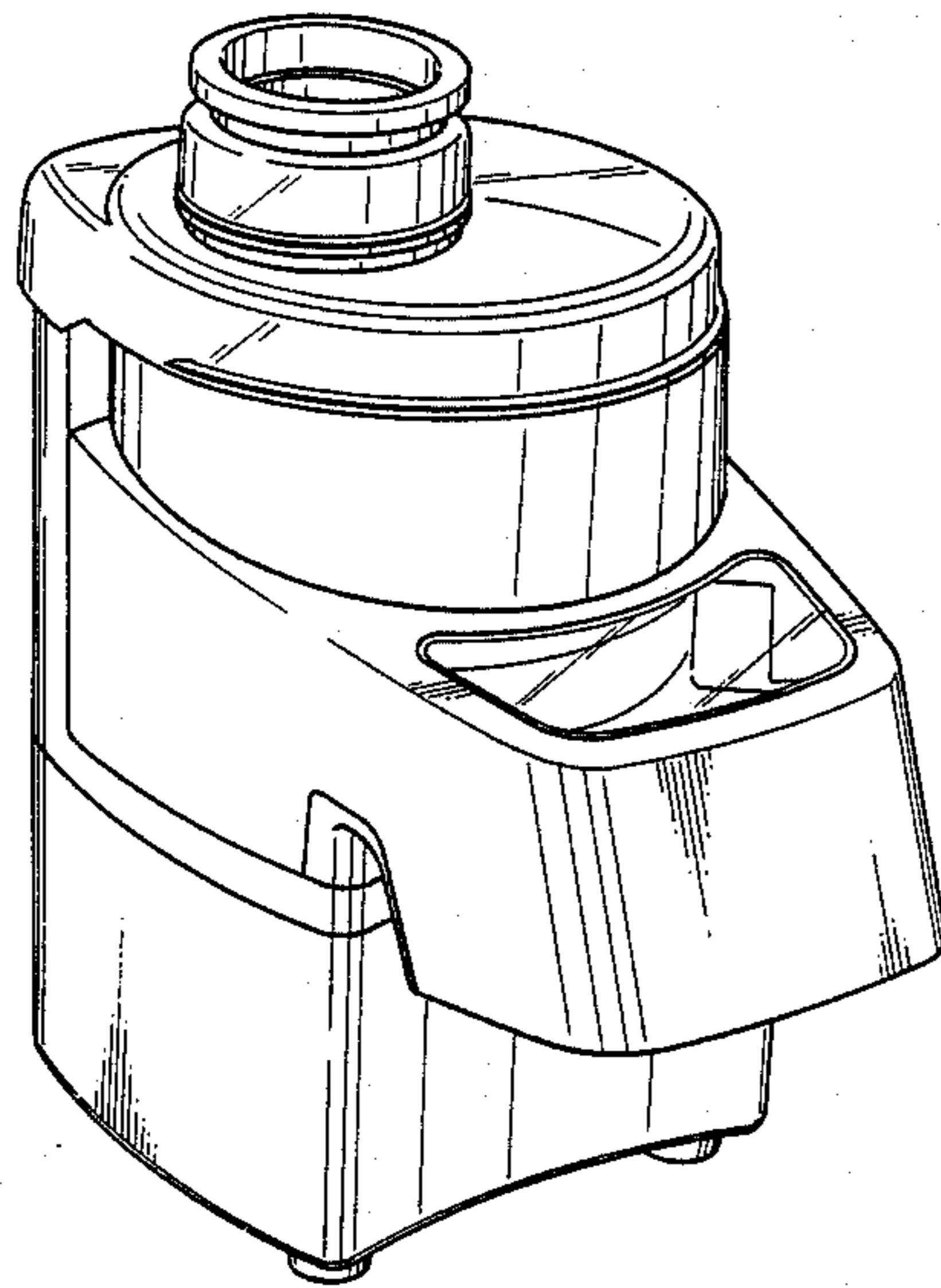
FIG. 4 is a rear elevational view thereof;

FIG. 5 is a top plan view thereof;

FIG. 6 is a bottom plan view thereof;

FIG. 7 is a left side elevational view thereof; and

FIG. 8 is a right side elevational view thereof.



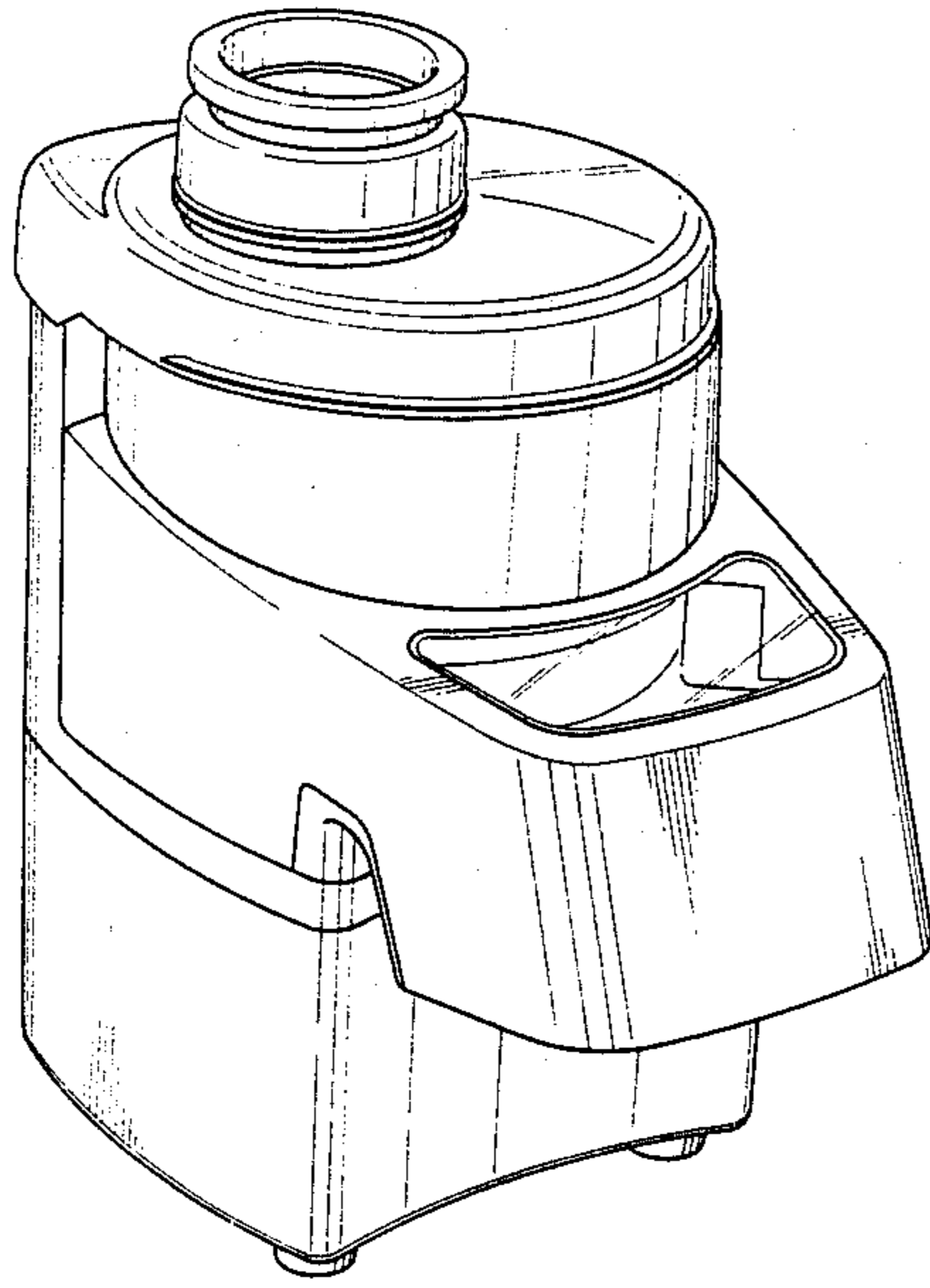


Fig. 1

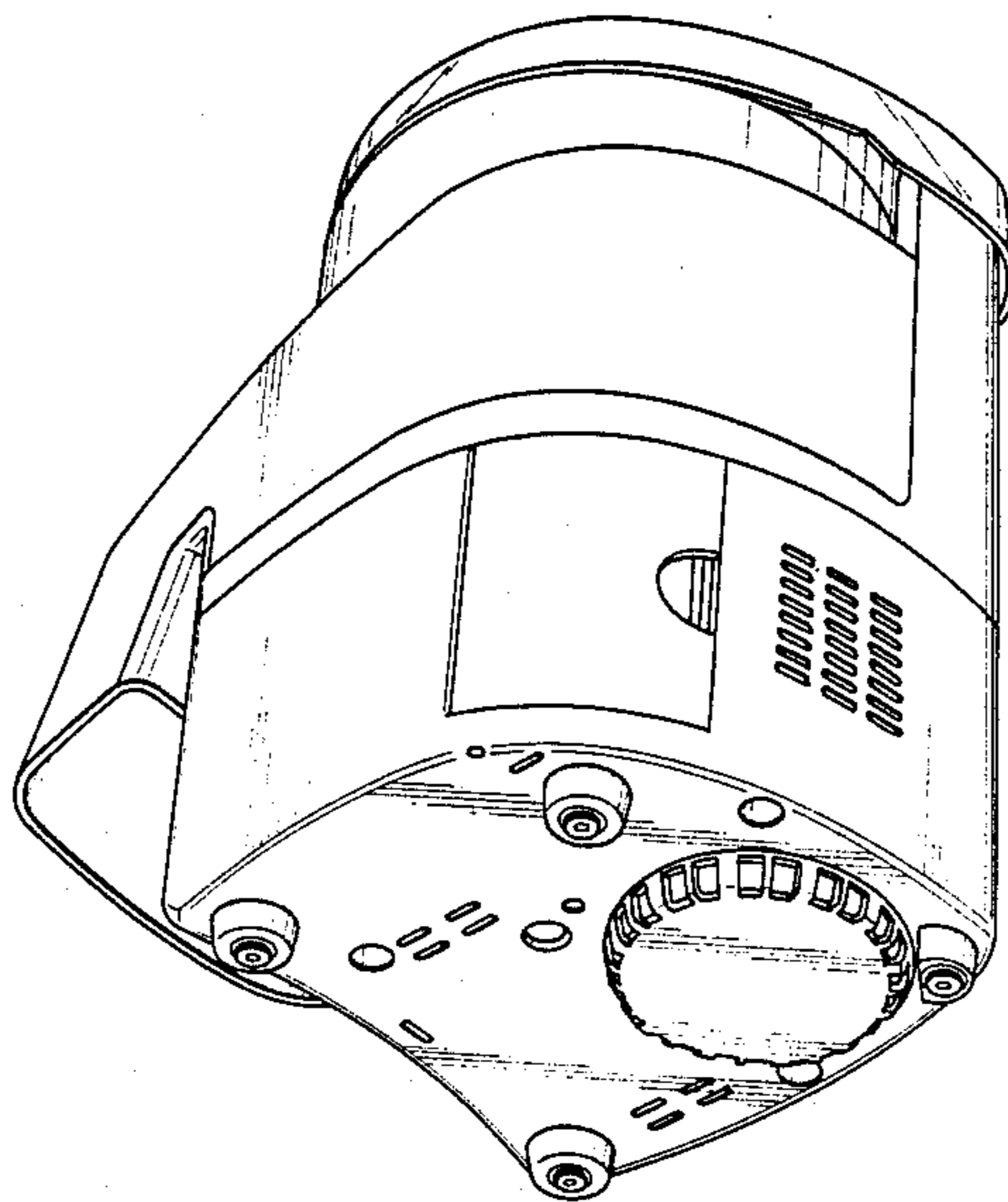


Fig. 2

Fig. 3

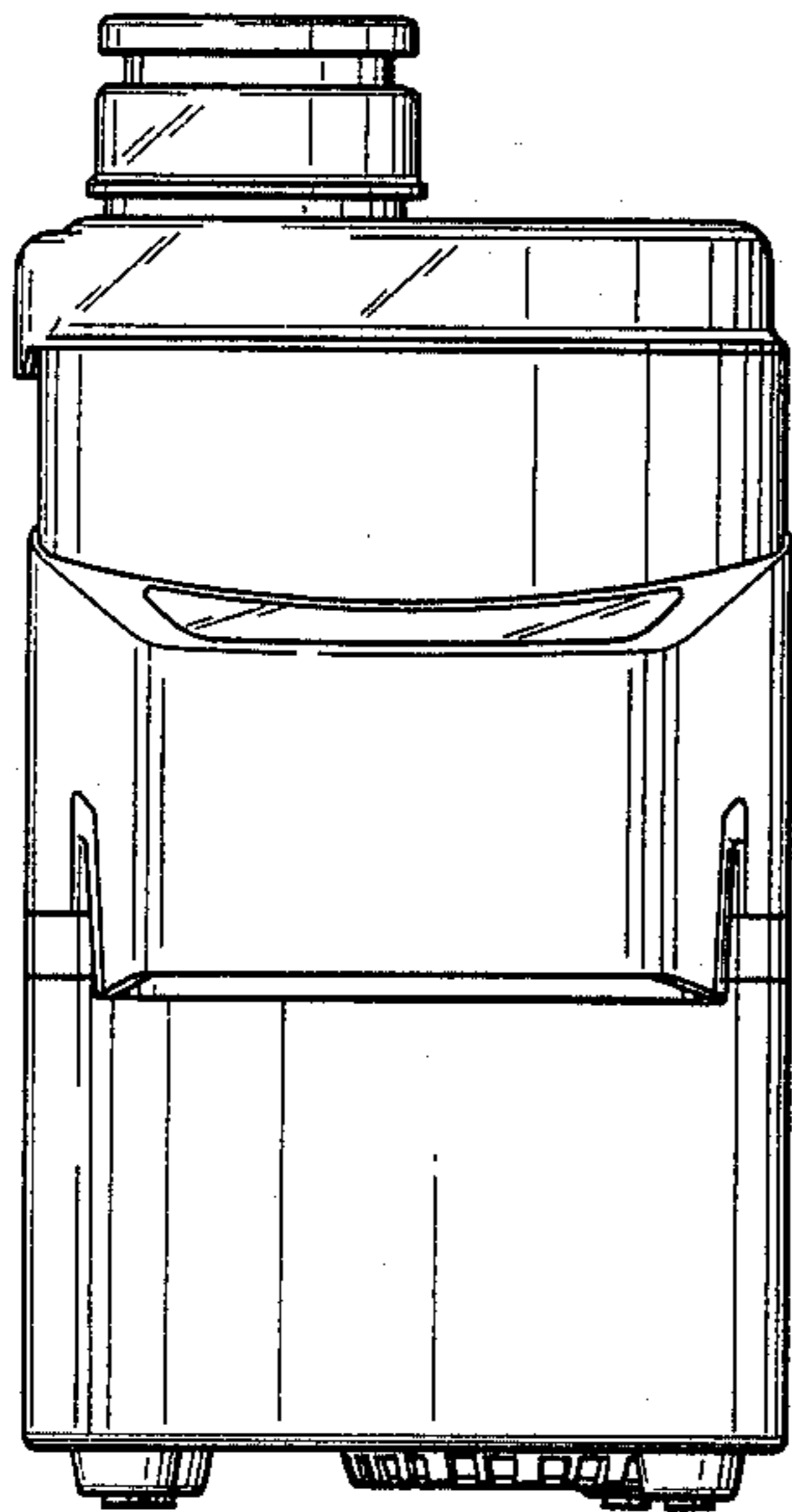


Fig. 4

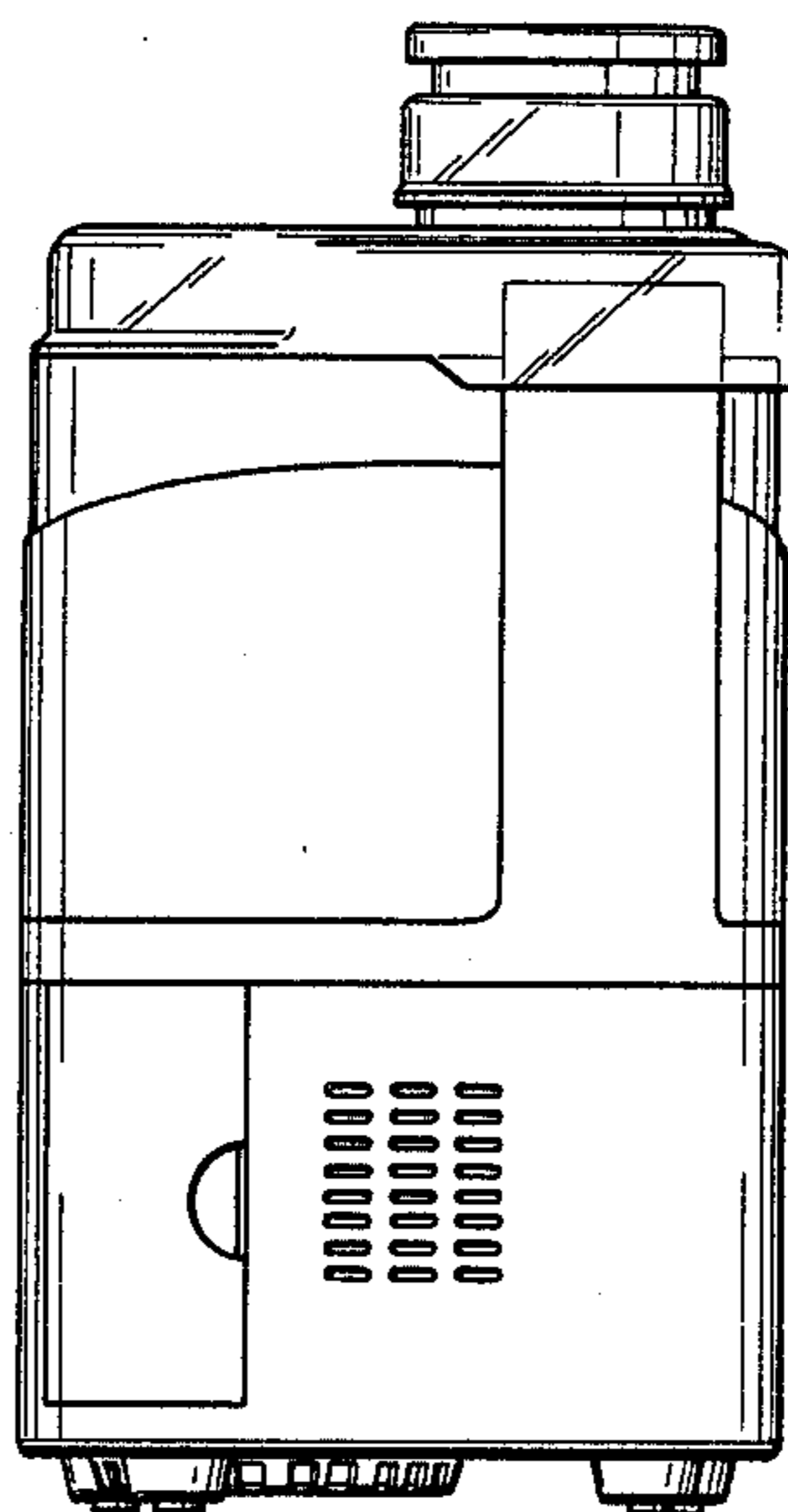


Fig. 5

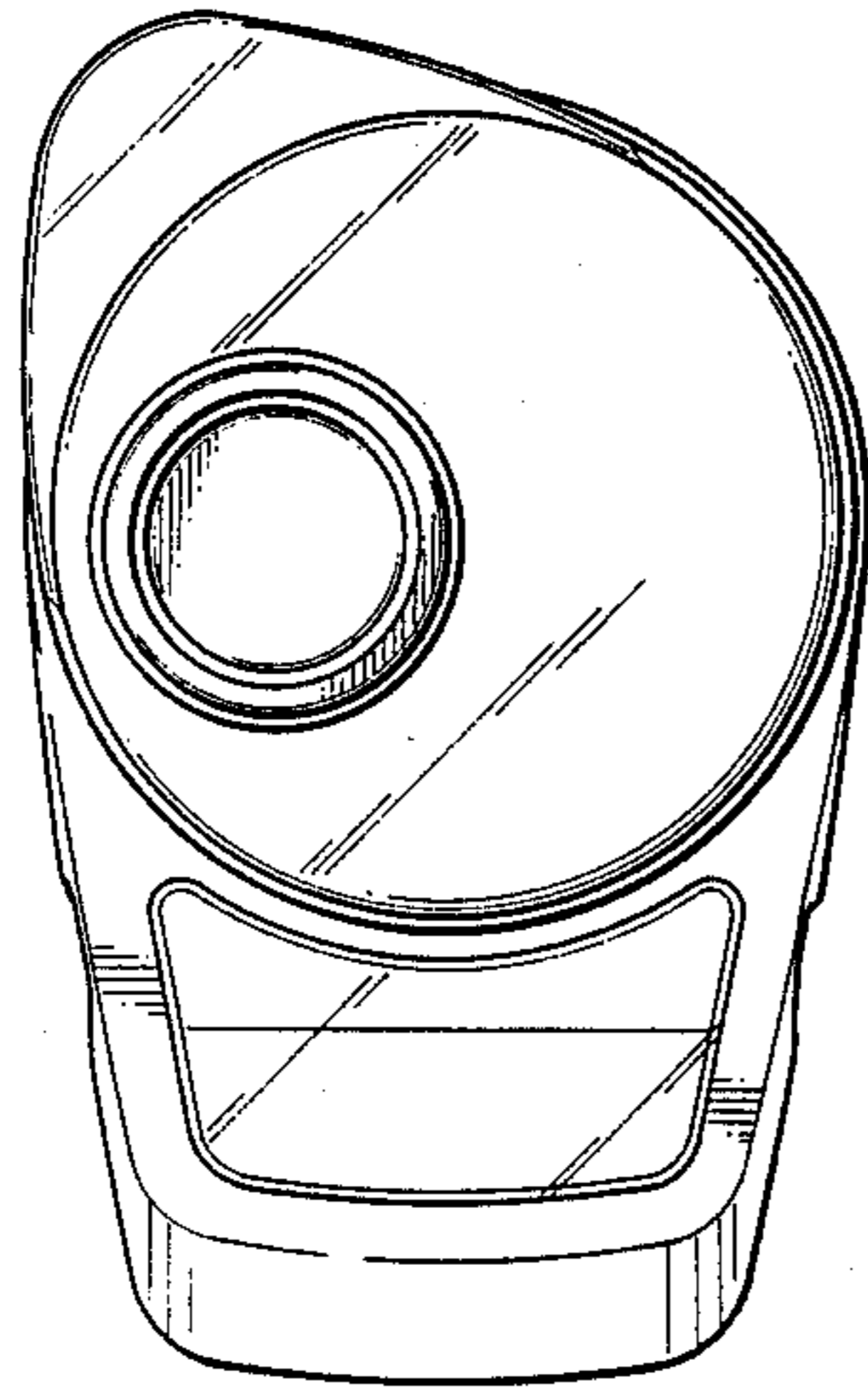


Fig. 6

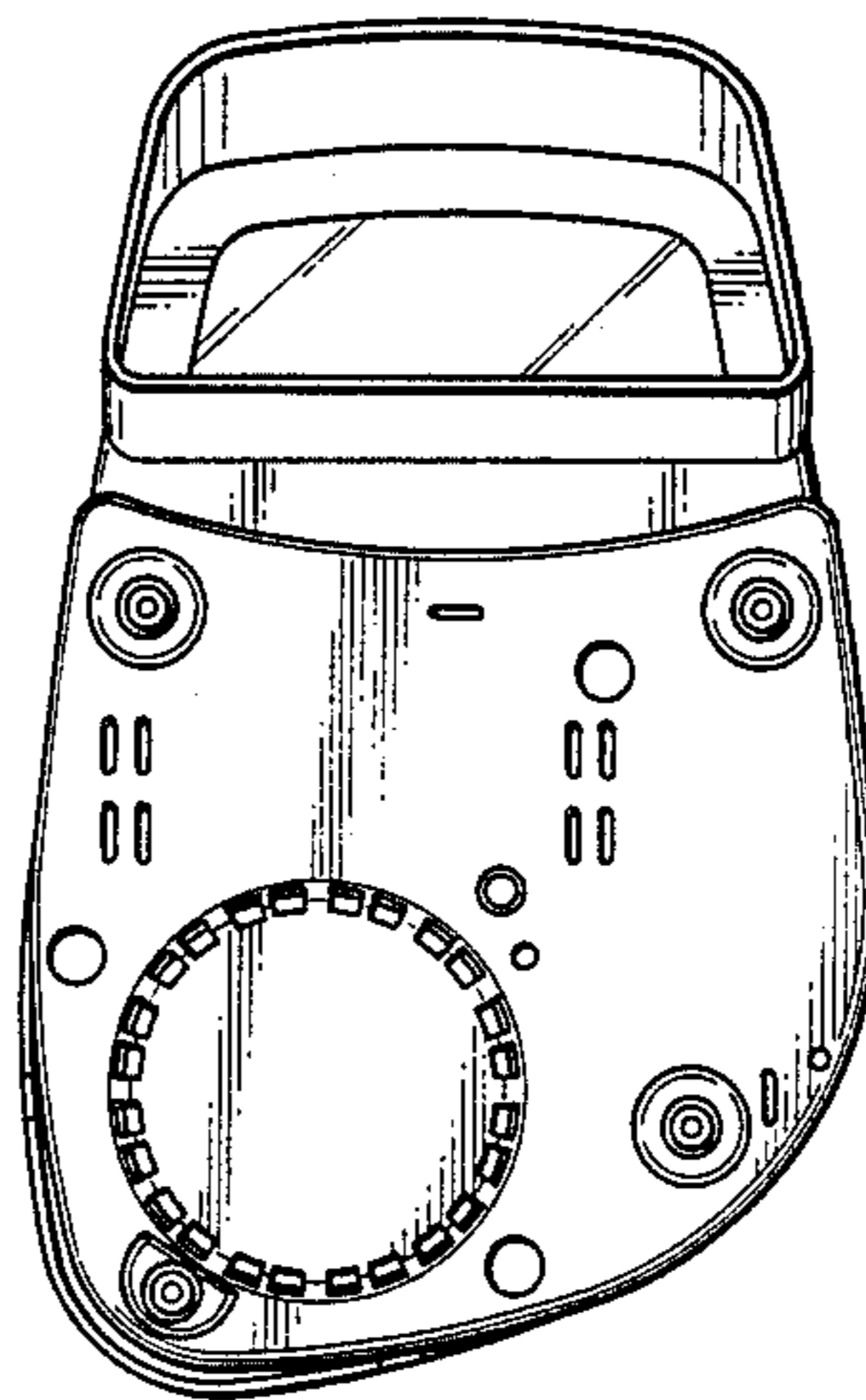


Fig. 8

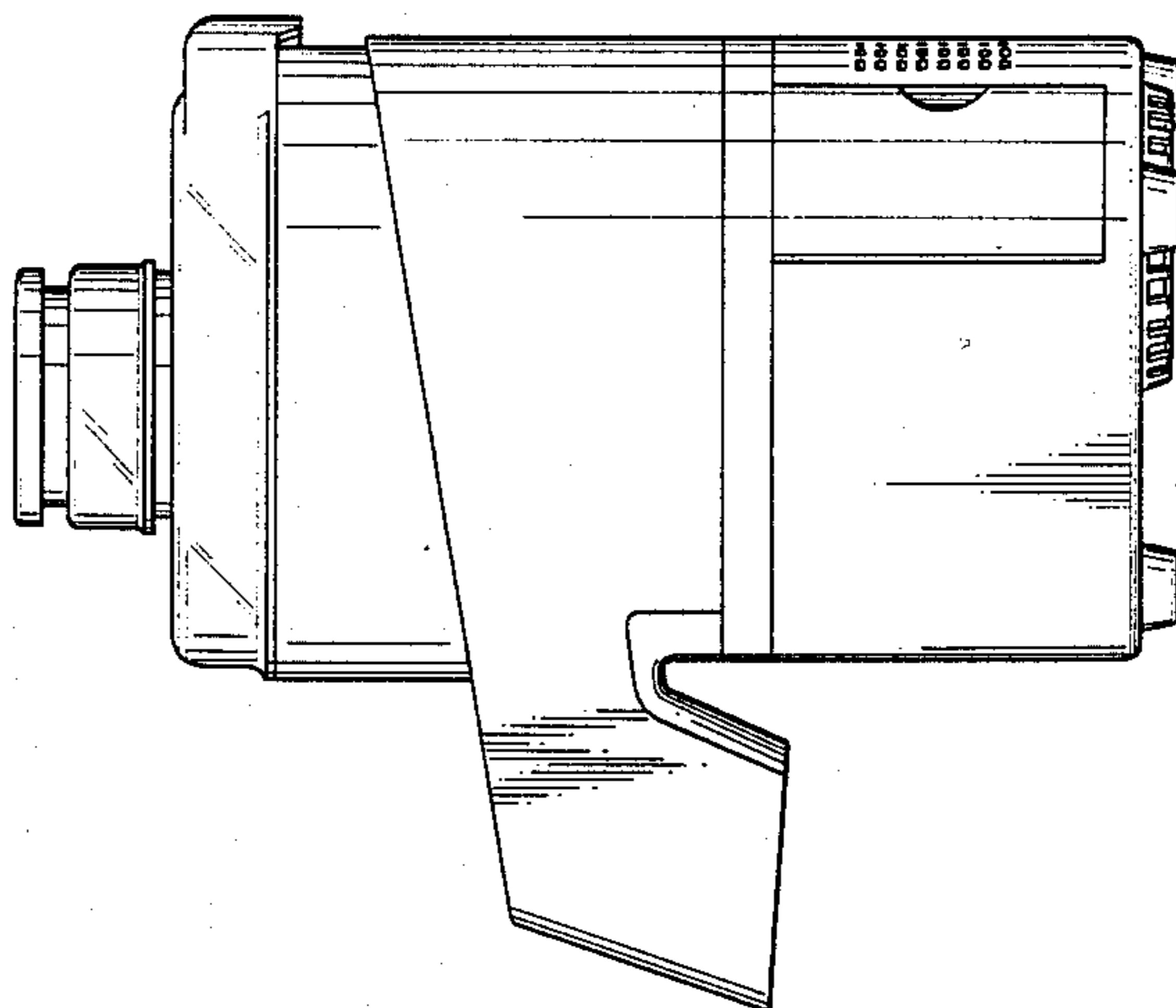


Fig. 7

