

United States Patent [19]

Block et al.

[11] Patent Number: **Des. 298,200**

[45] Date of Patent: **** Oct. 25, 1988**

[54] **BEVERAGE CAN HOLDER**

[76] Inventors: **Roger L. Block; Garry Block**, both of
701 8th Ave. SE., Jamestown, N.
Dak. 58401

[**] Term: **14 Years**

[21] Appl. No.: **692,517**

[22] Filed: **Jan. 18, 1985**

[52] U.S. Cl. **D7/70; 294/27.1**

[58] Field of Search **D7/70, 71, 9;**
248/145.6; 294/27.1, 32, 33; 220/85 H; 215/100
R, 100 A, 100.5

[56] **References Cited**

U.S. PATENT DOCUMENTS

D. 270,029 8/1983 McLean D7/70

1,102,305 7/1914 Templeton D7/70 X
1,373,695 4/1921 Wright 215/100 A
2,088,387 7/1937 Rice, Jr. et al. 248/145.6

Primary Examiner—Bernard Ansher
Assistant Examiner—Terry Pfeffer

[57] **CLAIM**

The ornamental design for a beverage can holder, as shown and described.

DESCRIPTION

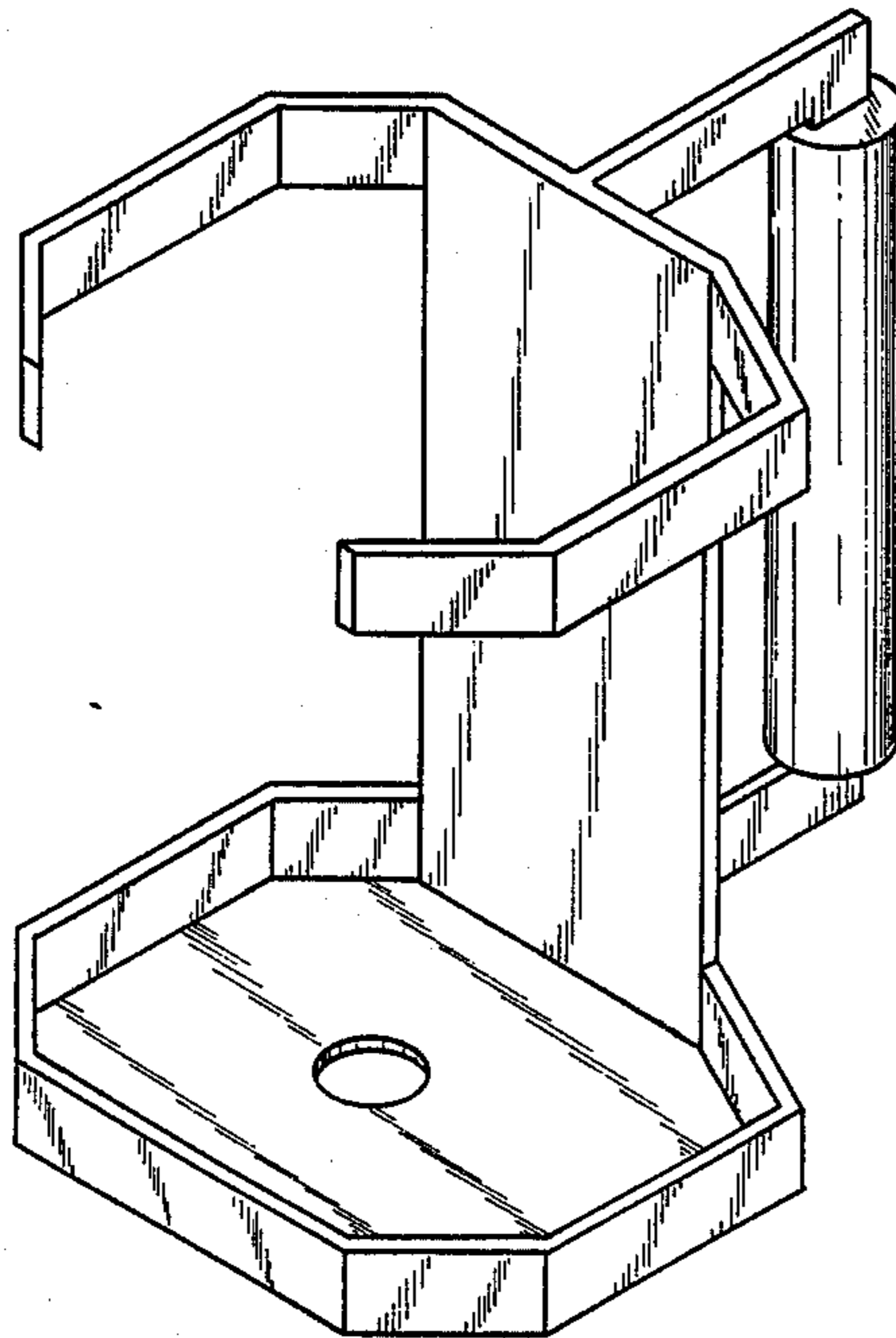
FIG. 1 is a perspective view of a beverage can holder showing our new design;

FIG. 2 is a rear elevational view thereof;

FIG. 3 is a front elevational view thereof;

FIG. 4 is a bottom plan view thereof; and,

FIG. 5 is a left side elevational view thereof, the right side being a mirror image of the left side.



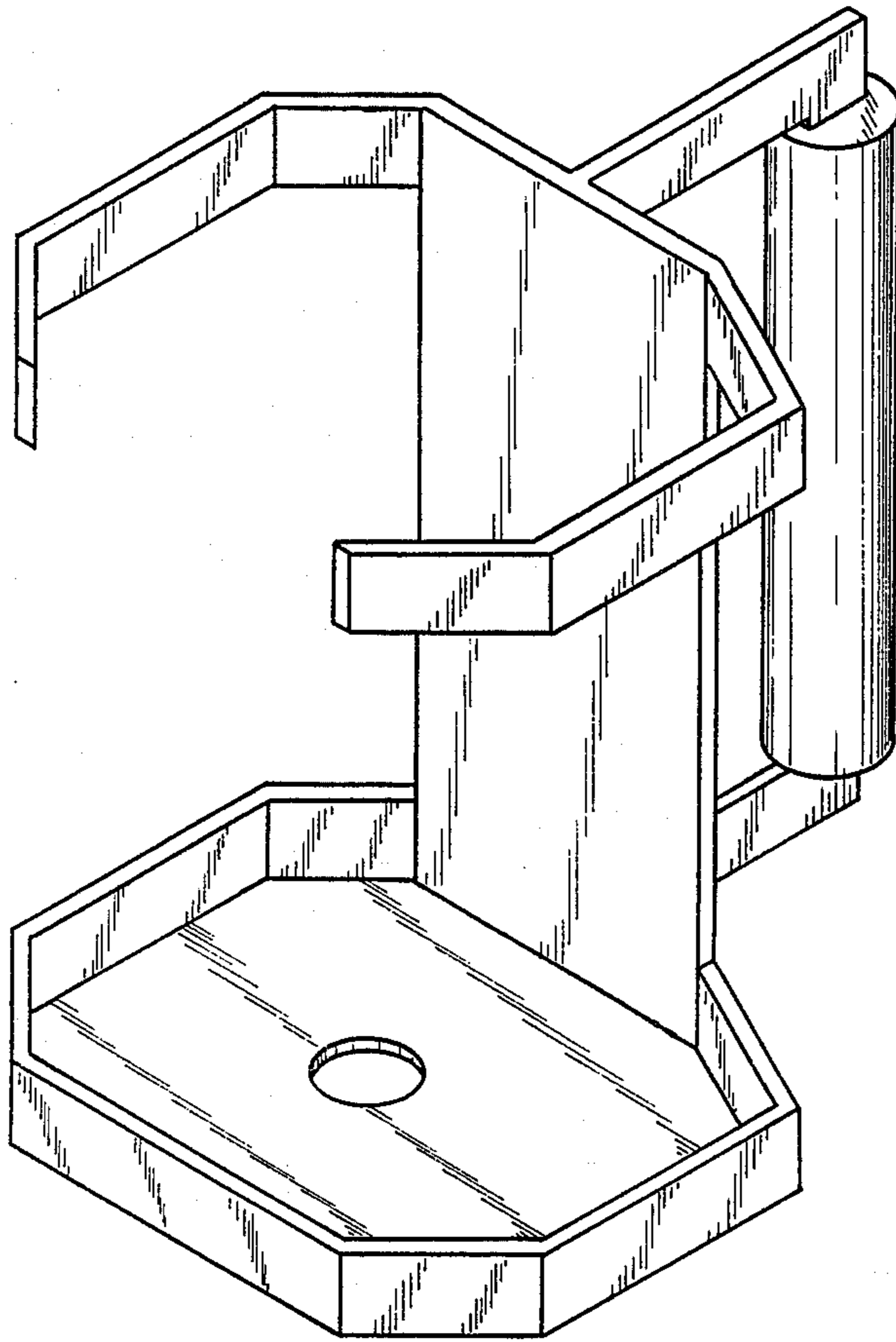


FIG 1

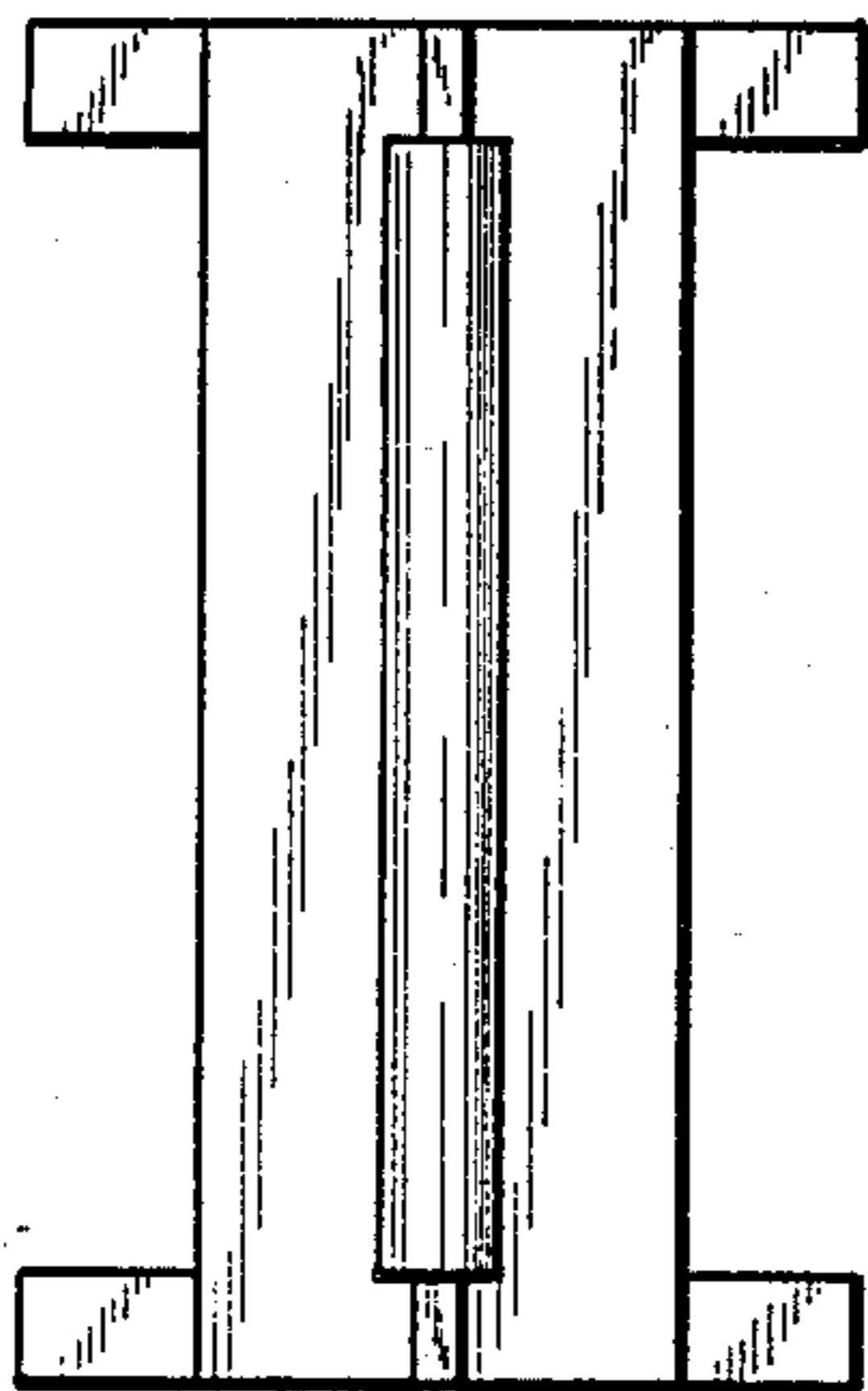


FIG 2

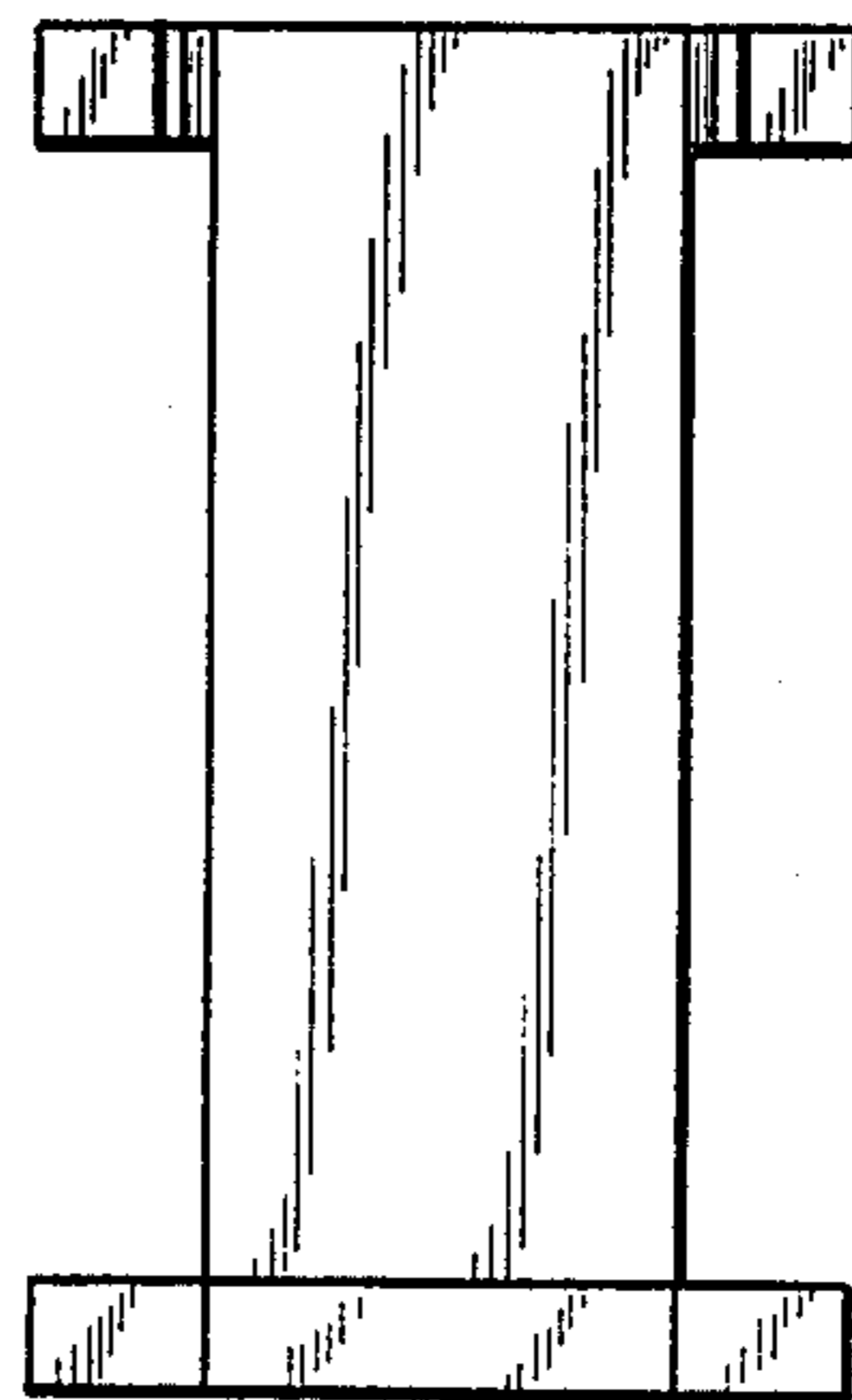


FIG 3

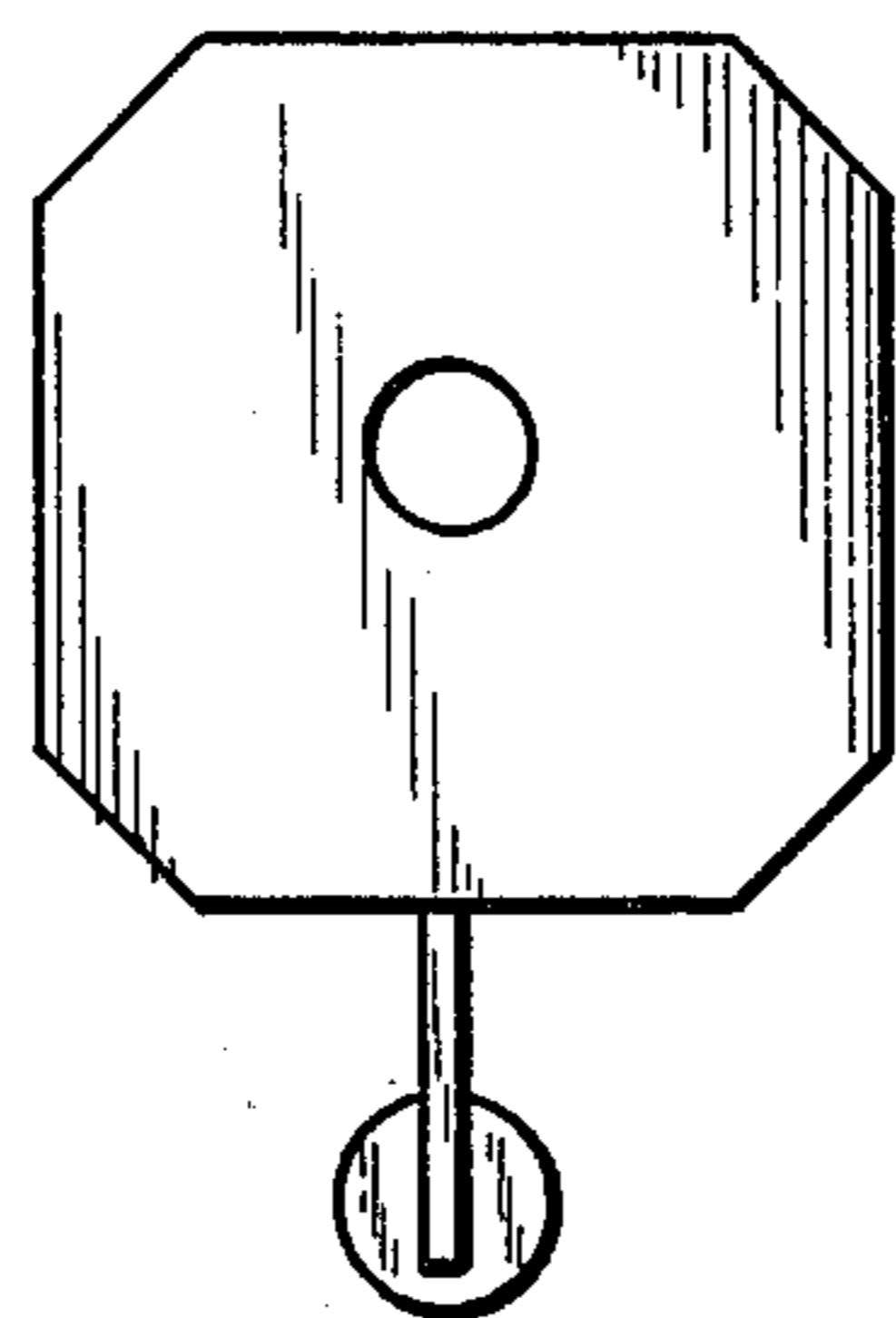


FIG 4

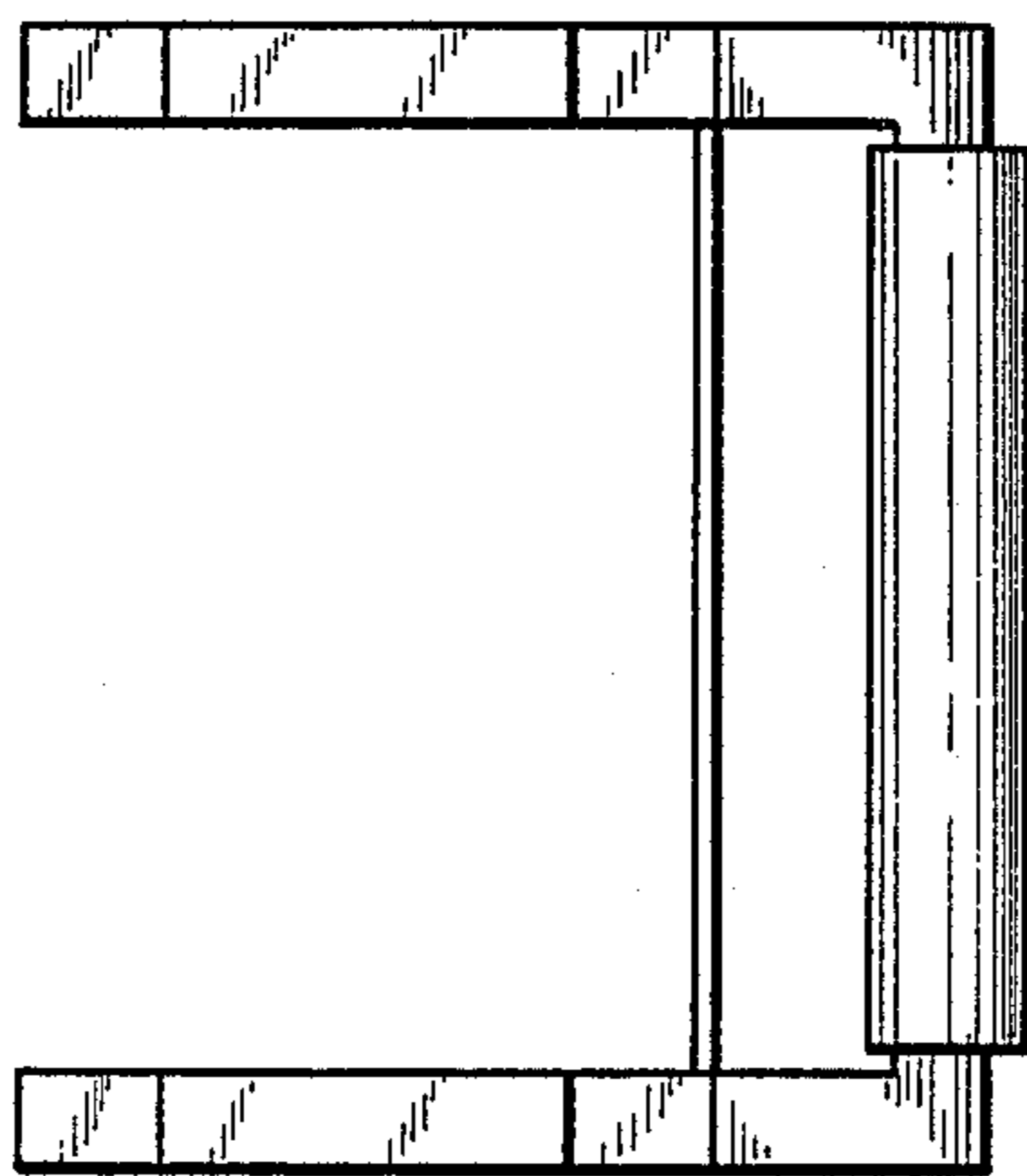


FIG 5