

[54] **COFFEE TABLE**

[75] **Inventor:** Luciano Cionini, Casciana Terme, Italy

[73] **Assignee:** Lavorazione Artigiana Onice di Cionini Luciano & C.S.n.c., Italy

[**] **Term:** 14 Years

[21] **Appl. No.:** 814,116

[22] **Filed:** Dec. 27, 1985

[30] **Foreign Application Priority Data**

Jun. 28, 1985 [IT] Italy 11714/85[U]

[52] **U.S. Cl.** D6/486

[58] **Field of Search** D6/477-482,
D6/485, 488, 490

[56] **References Cited**

U.S. PATENT DOCUMENTS

D. 44,441 8/1913 Frazer D6/486 X
D. 190,998 8/1961 Schultz D6/486
D. 204,391 4/1966 Obayashi D6/486 X
D. 233,709 11/1974 Williams D6/486 X

OTHER PUBLICATIONS

Interiors, Apr. 1967, p. 87, Table upper right.
Domus, May 1983, p. A-12, Table upper left.

Primary Examiner—Bruce W. Dunkins
Attorney, Agent, or Firm—McGlew and Tuttle

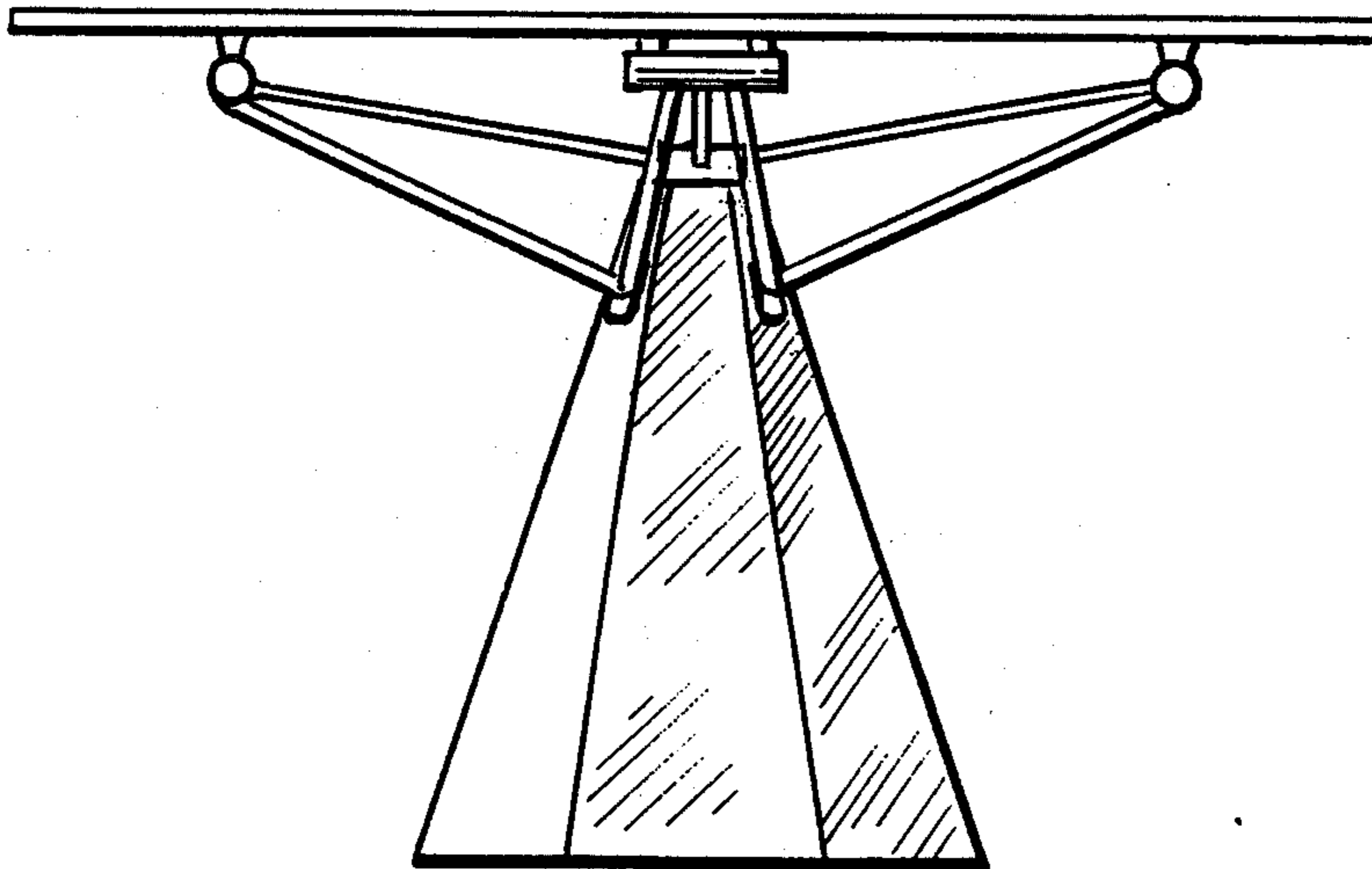
[57] **CLAIM**

The ornamental design for a coffee table, as shown and described.

DESCRIPTION

FIG. 1 is an elevational view showing one of the four identical sides of a coffee table embodying my new design;

FIG. 2 is a top plan view; and,
FIG. 3 is a perspective view thereof.



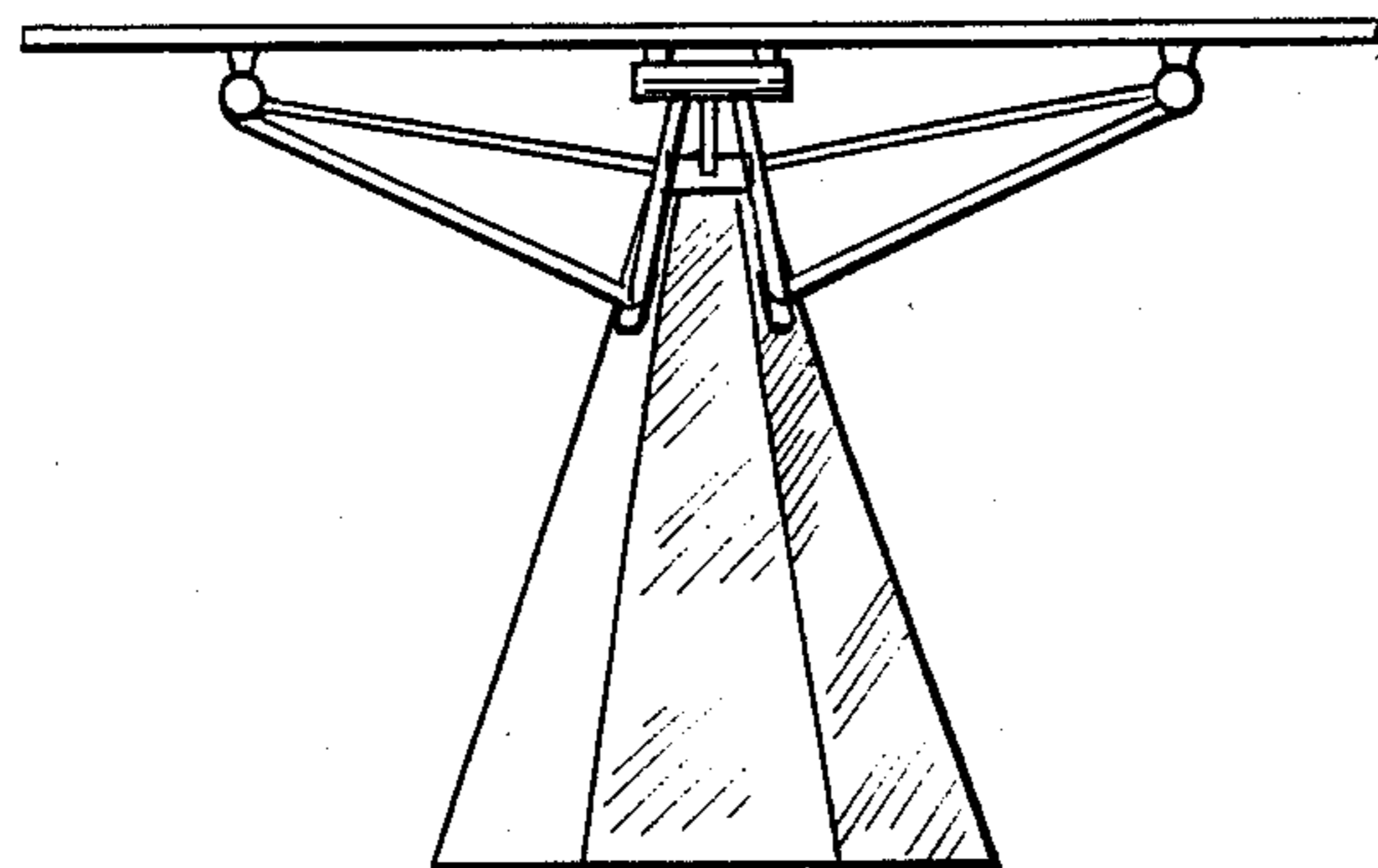


Fig. 1

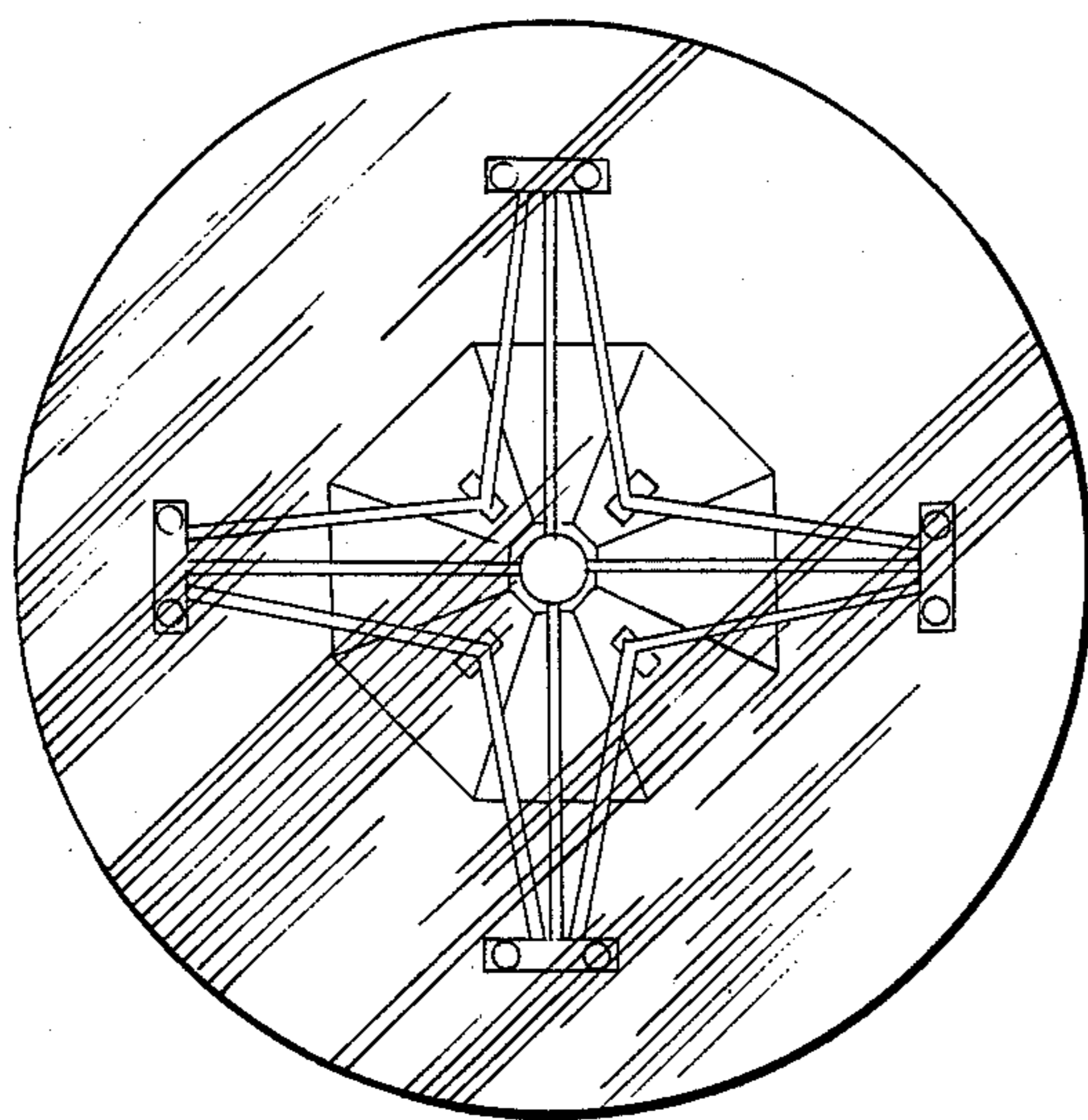


Fig. 2

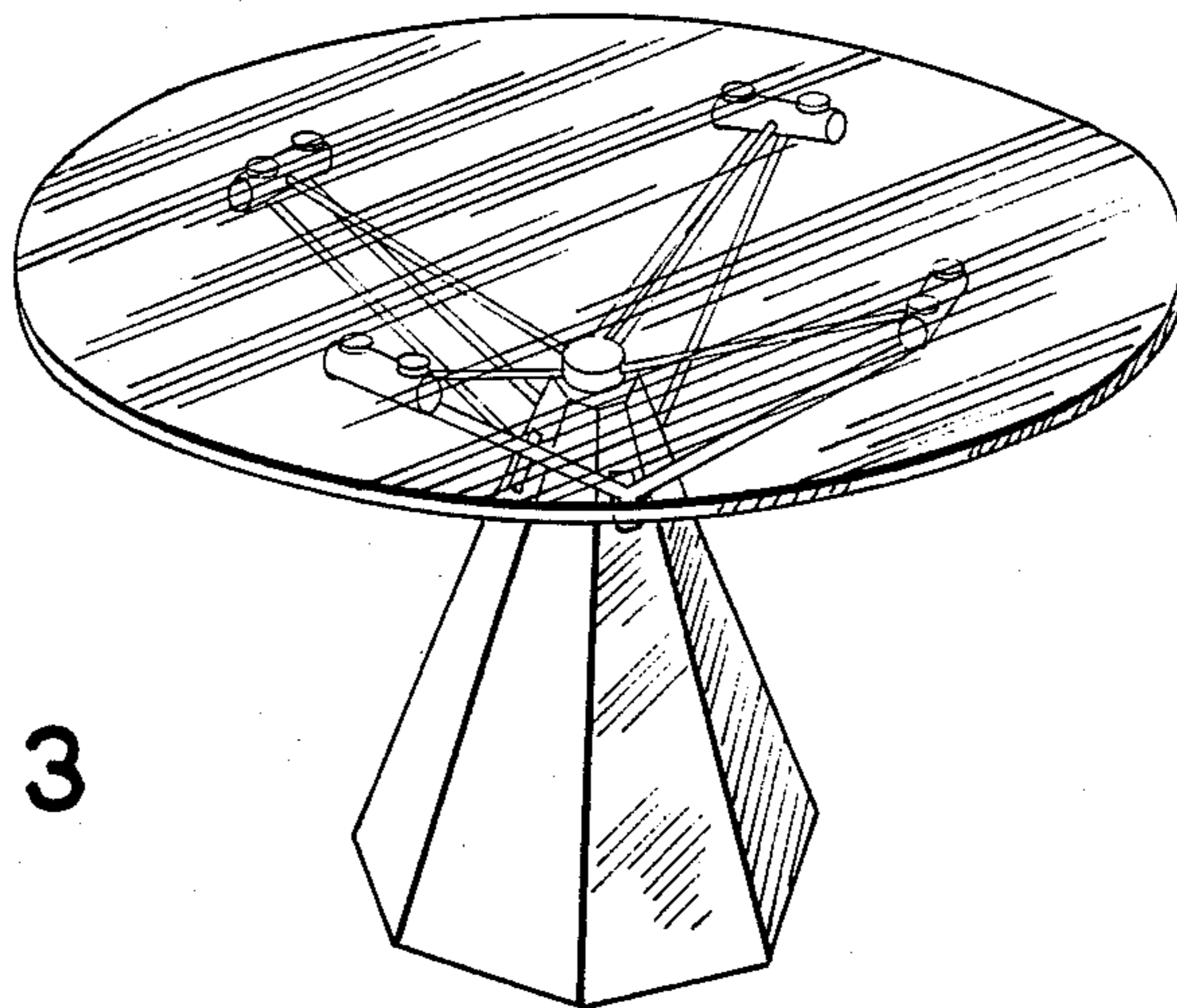


Fig. 3