

United States Patent [19]

Cionini

[11] Patent Number: **Des. 298,195**

[45] Date of Patent: **** Oct. 25, 1988**

[54] **COFFEE TABLE**

[75] Inventor: **Luciano Cionini, Casciana Terme, Italy**

[73] Assignee: **Lavorazione Artigiana Onice di Luciano Cionini & C.S.n.c., Italy**

[**] Term: **14 Years**

[21] Appl. No.: **814,117**

[22] Filed: **Dec. 27, 1985**

[30] **Foreign Application Priority Data**

Jun. 28, 1985 [IT] Italy 11716/85[U]

[52] U.S. Cl. **D6/485; D6/480; D6/482**

[58] Field of Search **D6/477-482, D6/485, 488, 490; 108/150, 153**

[56] **References Cited**

U.S. PATENT DOCUMENTS

D. 229,808 1/1974 McDonald D6/485

D. 262,506 1/1982 Kim D6/488
D. 292,255 10/1987 Winzeler, III D6/480
4,321,875 3/1982 Danko D6/485 X

OTHER PUBLICATIONS

Domus, Sep. 1984, p. 72, Table in foreground.

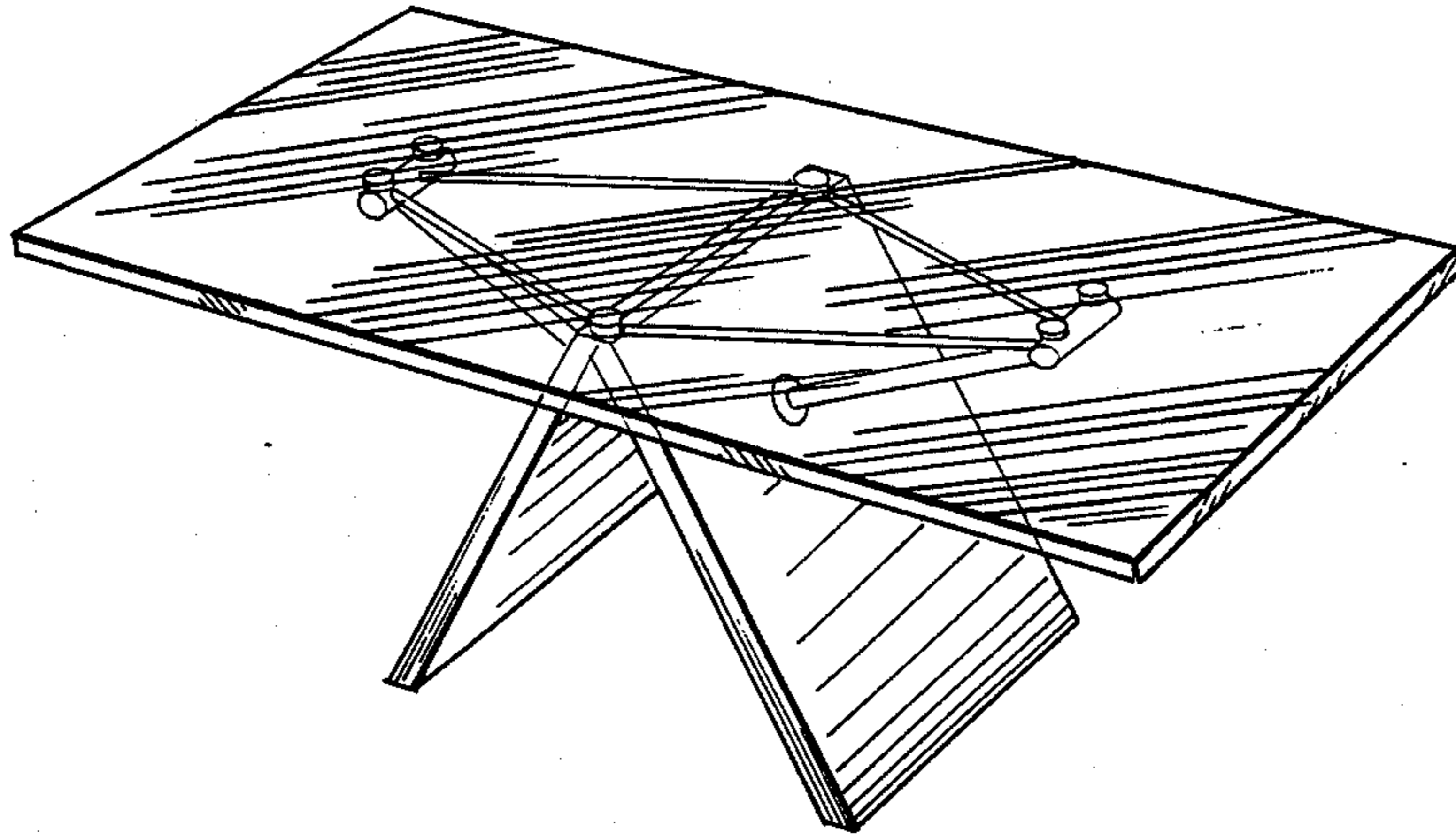
Primary Examiner—Bruce W. Dunkins
Attorney, Agent, or Firm—McGlew and Tuttle

[57] CLAIM

The ornamental design for a coffee table, as shown and described.

DESCRIPTION

FIG. 1 is a side elevational view of a coffee table showing my design;
FIG. 2 is a top plan view; and,
FIG. 3 is an end elevational view; and,
FIG. 4 is a perspective view thereof.
The side and end of the table not shown are mirror images of the side and end shown in FIGS. 1 and 3 respectively.



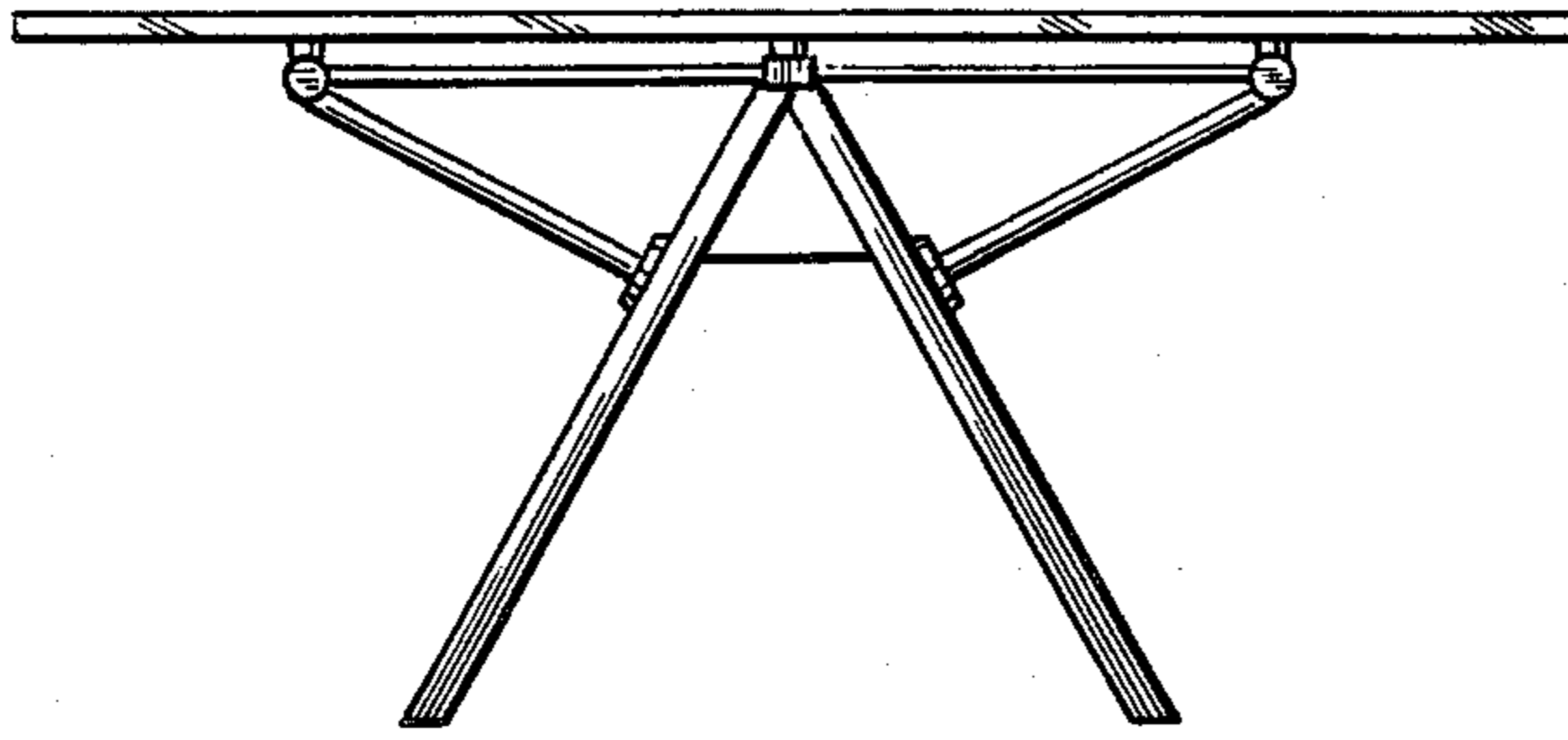


Fig. 1

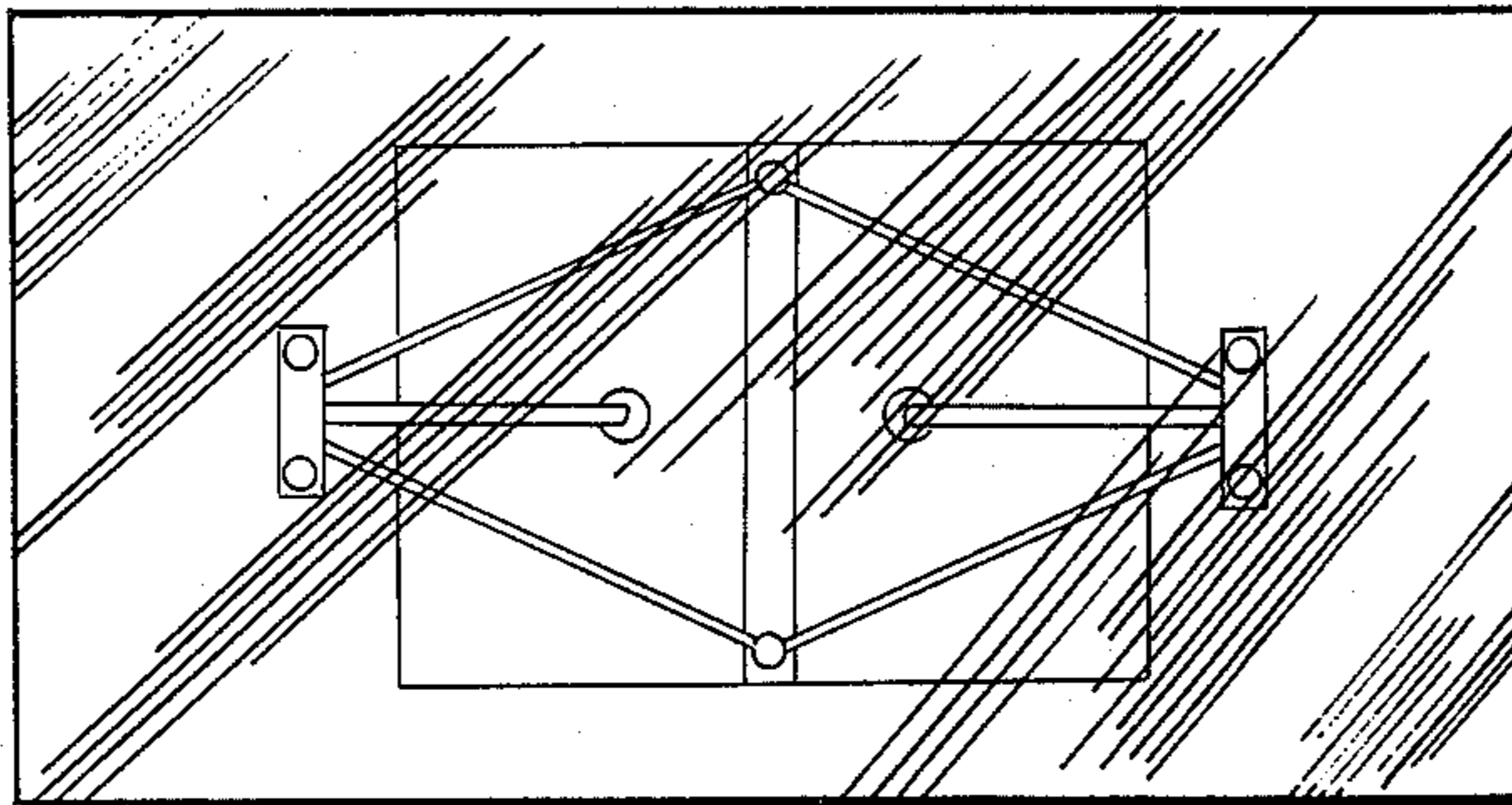


Fig. 2

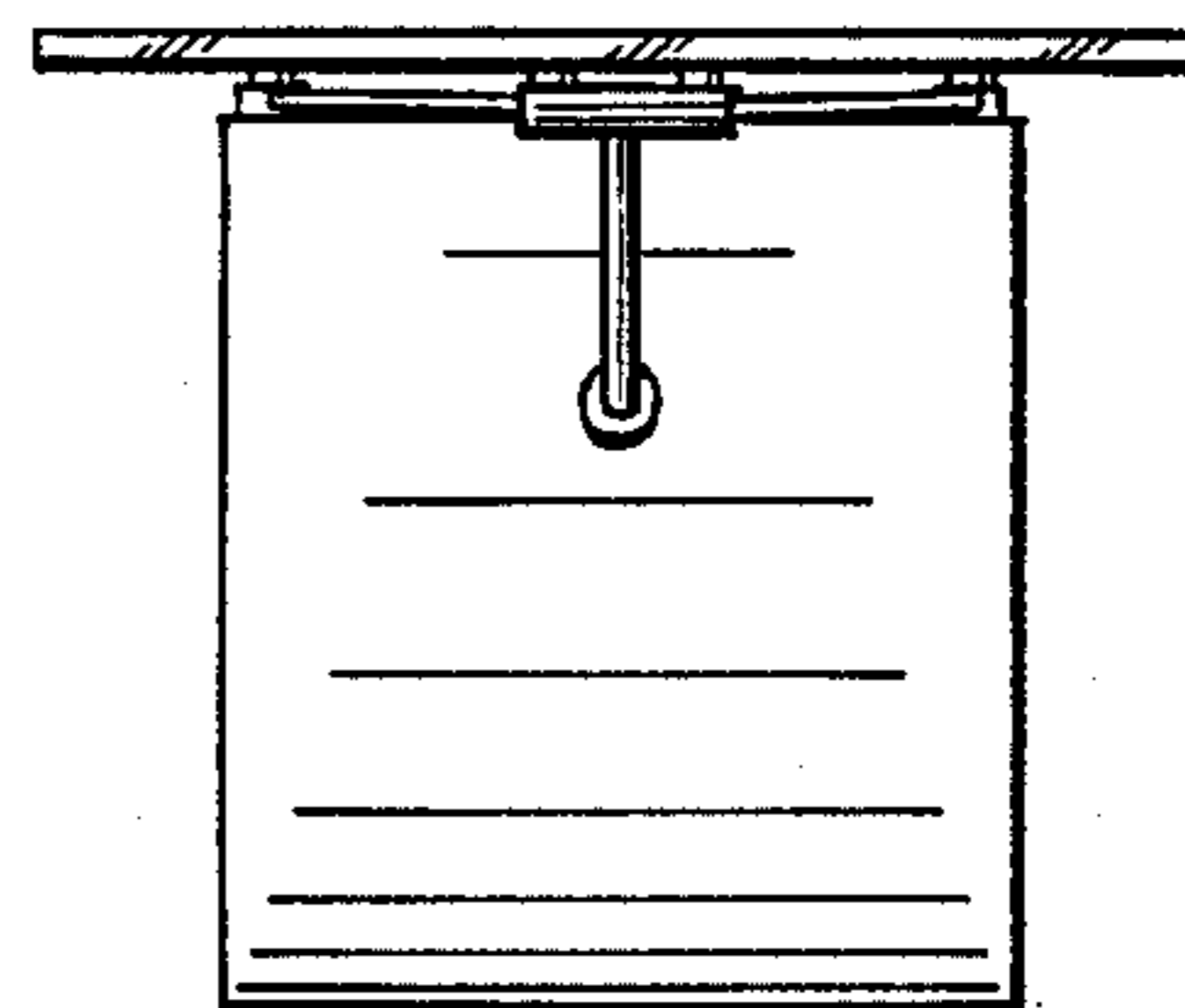


Fig. 3

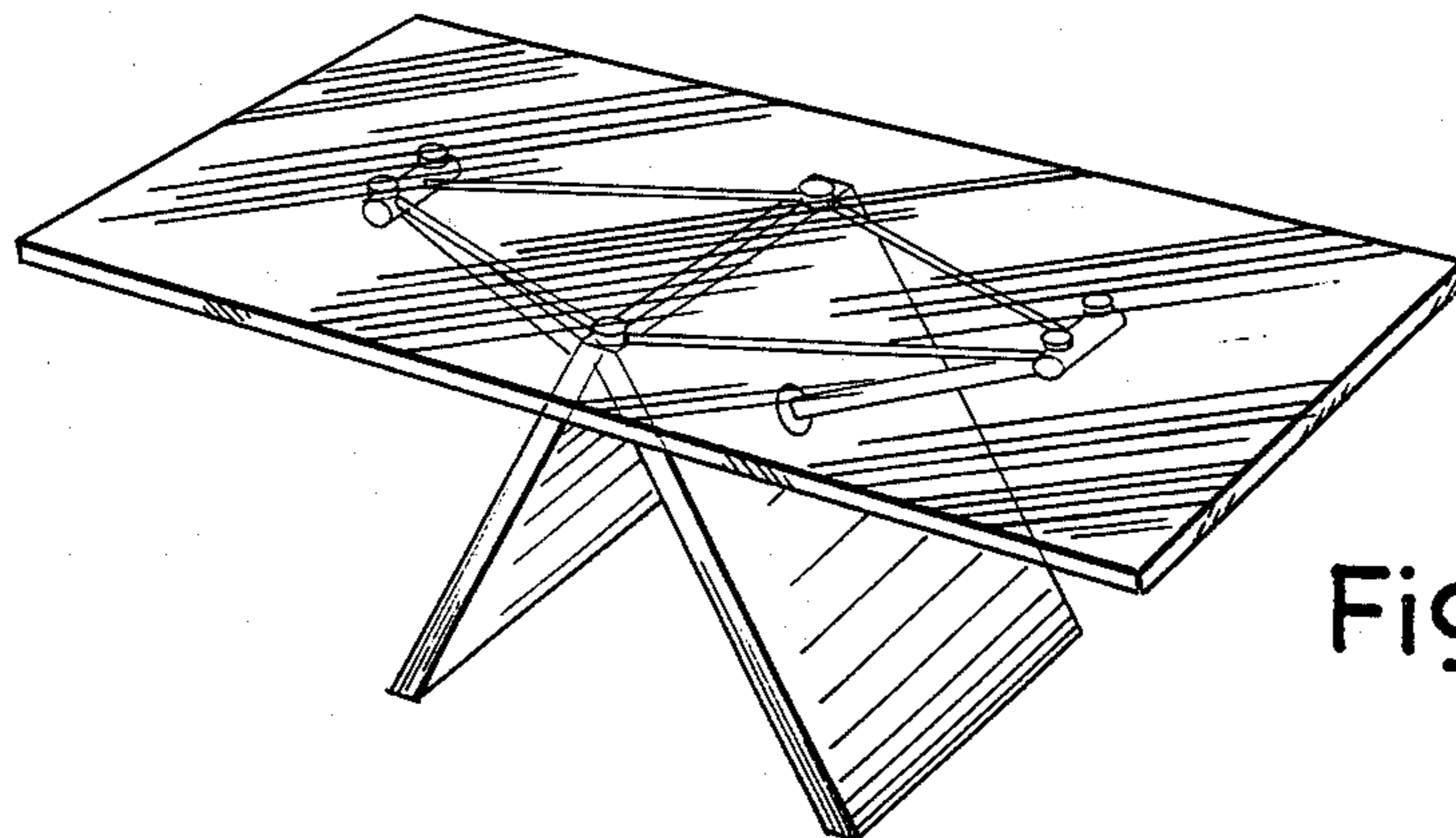


Fig. 4