

[54] **SUPPORT STAND FOR BICYCLES**

[76] **Inventor: Birger Carlson, PL 1043, S-813 00
Hofors, Sweden**

[**] **Term: 14 Years**

[21] **Appl. No.: 727,523**

[22] **Filed: Apr. 26, 1985**

[30] **Foreign Application Priority Data**

Mar. 30, 1984 [SE] Sweden 84-1059

[52] **U.S. Cl. D6/462; D6/411;
D6/415**

[58] **Field of Search D6/411, 415, 416, 461,
D6/462; 211/4, 181; 248/408, 409**

[56] **References Cited**

U.S. PATENT DOCUMENTS

D. 125,101 2/1941 Flannery D6/415
D. 168,856 2/1953 Peyser D6/416
D. 216,450 1/1970 Chiarello et al. D6/415 X
D. 230,448 2/1974 Cohen D6/411 X
D. 252,963 9/1979 Ford et al. D6/415
947,646 1/1910 Palmenberg D6/411 X

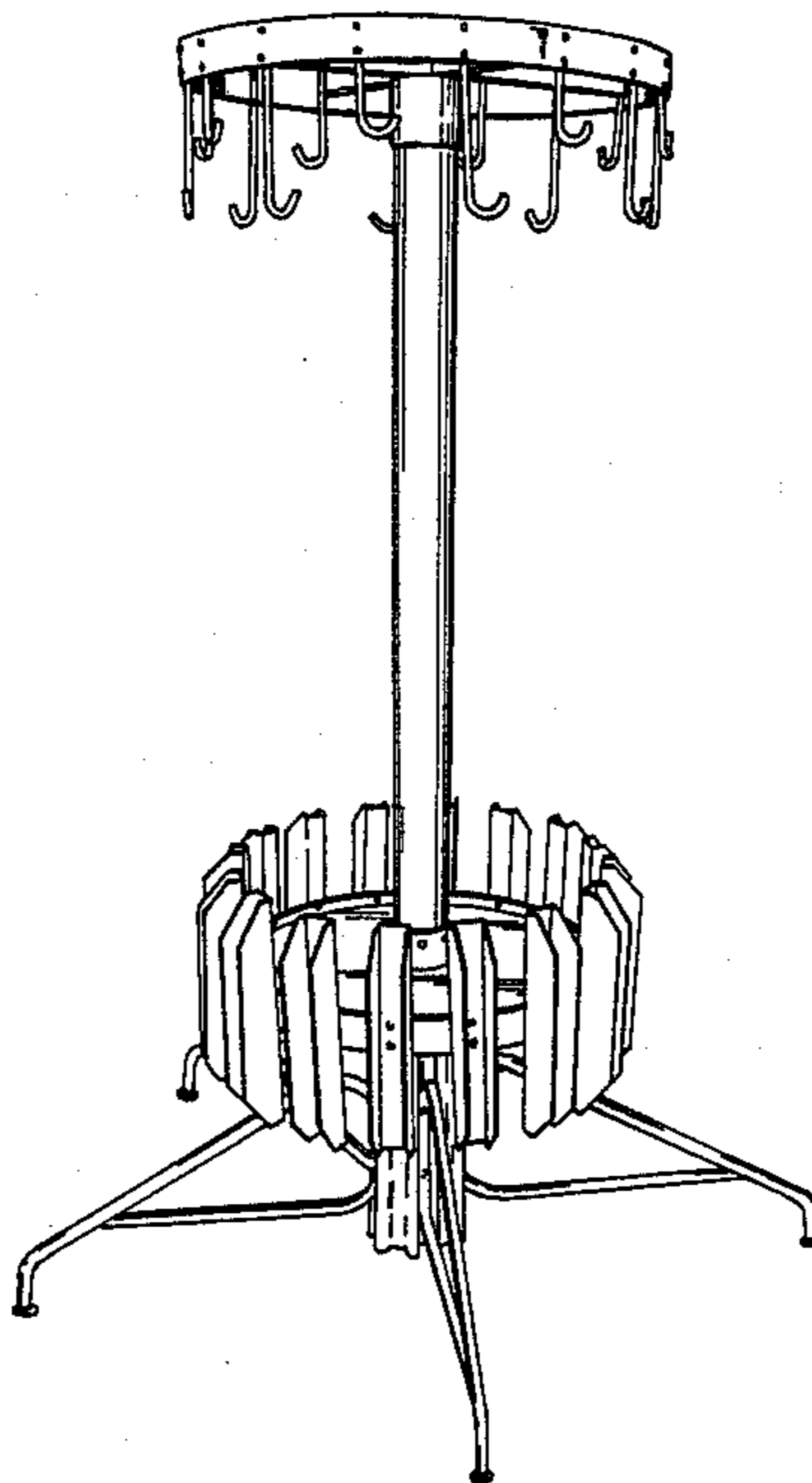
Primary Examiner—Bruce W. Dunkins
Attorney, Agent, or Firm—Gifford, Groh, VanOphem,
Sheridan, Sprinkle and Dolgorukov

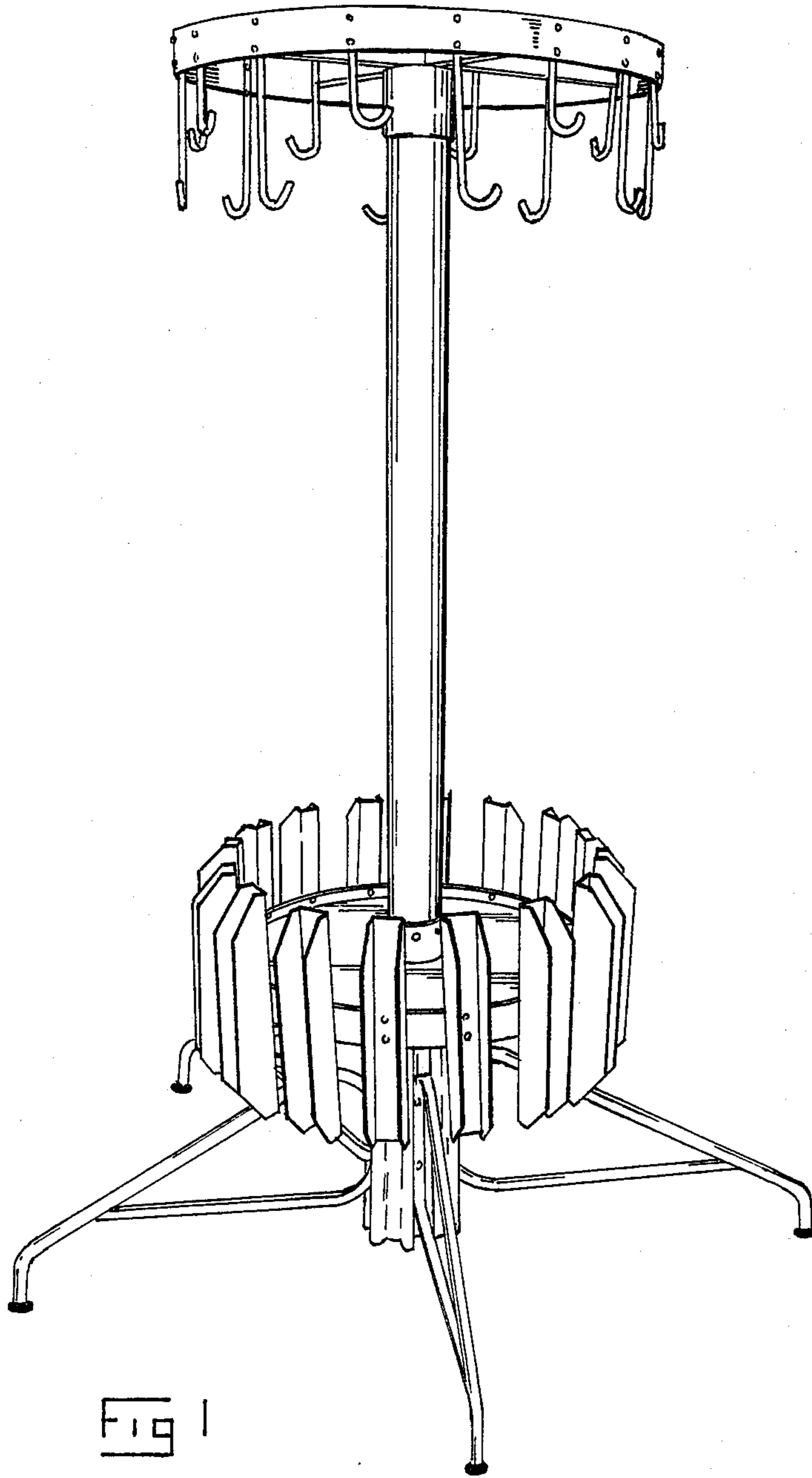
[57] **CLAIM**

The ornamental design for a support stand for bicycles,
as shown and described.

DESCRIPTION

FIG. 1 is a perspective view of a support stand for
bicycles showing my design; and
FIG. 2 is a bottom perspective view thereof.





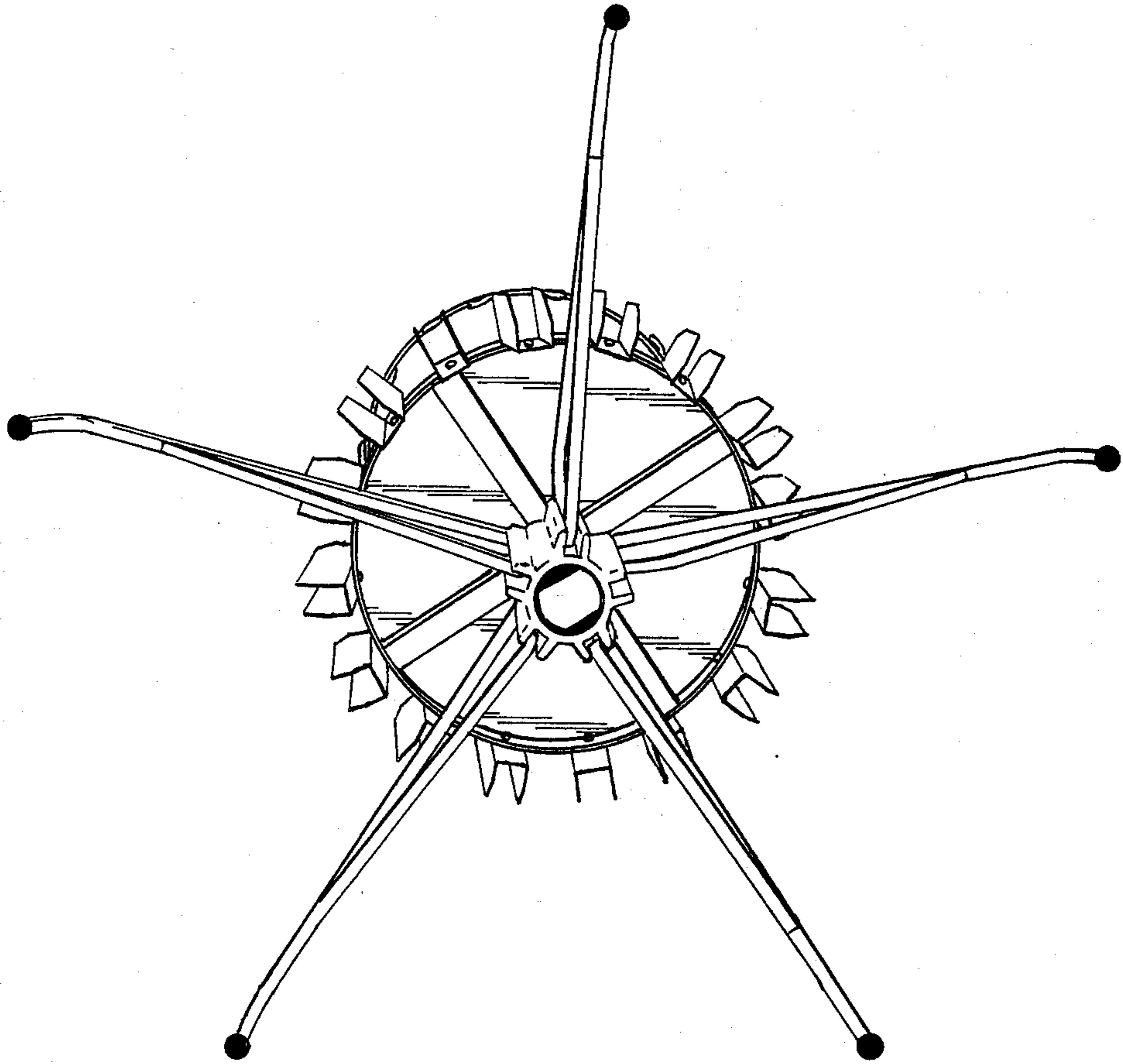


FIG 2