

[54] **SWIVEL CHAIR**

[75] **Inventor:** Willi Hensel, Willingen, Fed. Rep. of Germany

[73] **Assignee:** Mauser-Waldeck AG, Waldeck, Fed. Rep. of Germany

[**] **Term:** 14 Years

[21] **Appl. No.:** 684,751

[22] **Filed:** Dec. 21, 1984

[30] **Foreign Application Priority Data**

Oct. 11, 1984 [DE] Fed. Rep. of Germany ... AR 55/84

[52] **U.S. Cl.** D6/366

[58] **Field of Search** D6/364, 365, 366, 367, D6/368, 379; 297/287, 296, 301, 311, 445

[56] **References Cited**

U.S. PATENT DOCUMENTS

- D. 213,827 4/1969 Strassle .
- D. 247,463 3/1978 Muller-Deisig D6/366
- D. 253,205 10/1979 Buhk .
- D. 259,000 4/1981 Vogtherr D6/366
- D. 260,330 8/1981 Ruf D6/366
- D. 267,989 2/1983 Buhk et al. D6/366
- D. 267,990 2/1983 Buhk et al. .
- D. 270,874 10/1983 Ochsner D6/366

OTHER PUBLICATIONS

Design Catalog, Dec. 1979, p. 26, chair at left, Inter-space Adv.

Industrial Design, Nov./Dec. 1977, p. 44, chair right center by Norton.

Primary Examiner—Bruce W. Dunkins

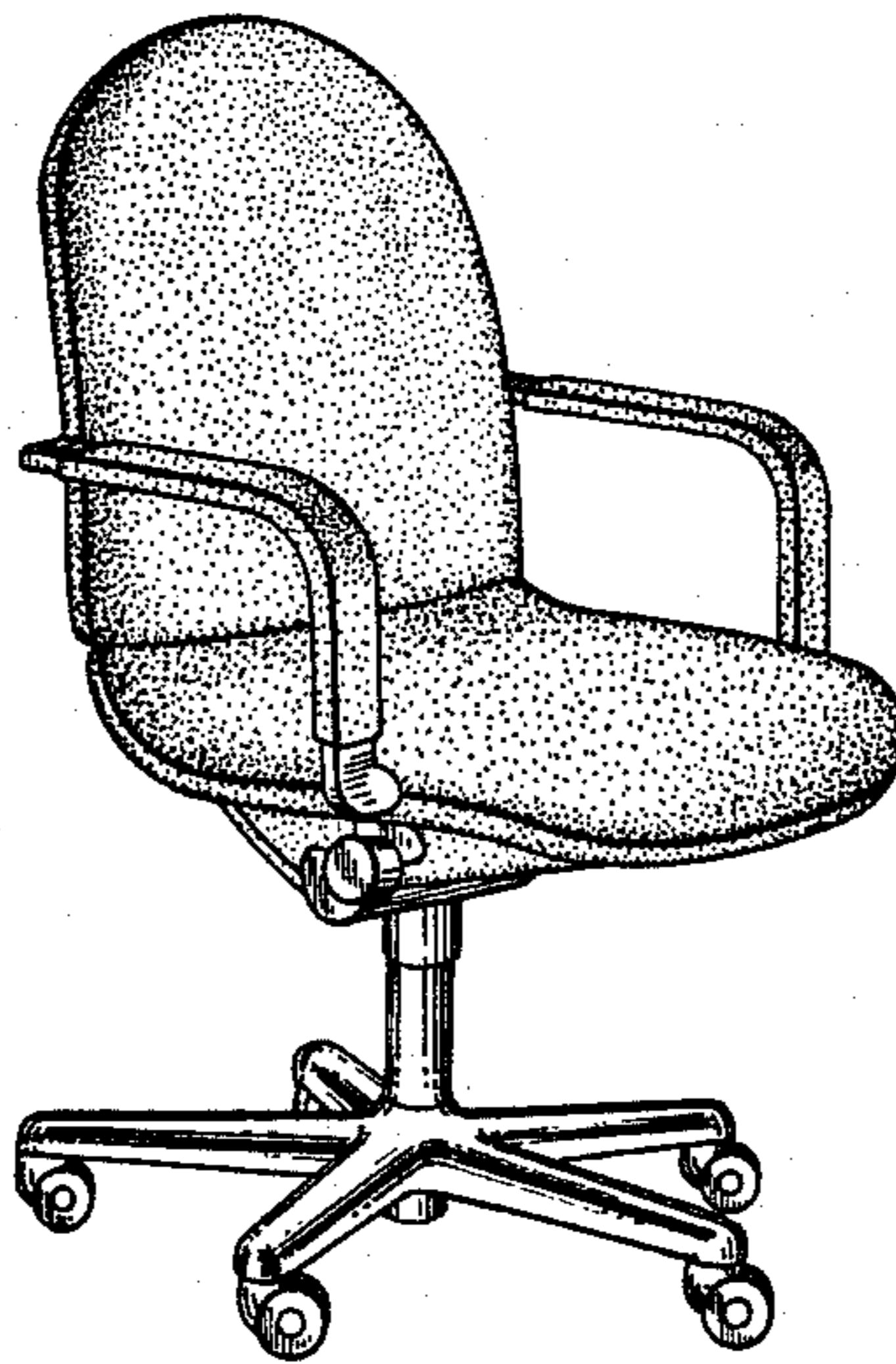
Attorney, Agent, or Firm—Pennie & Edmonds

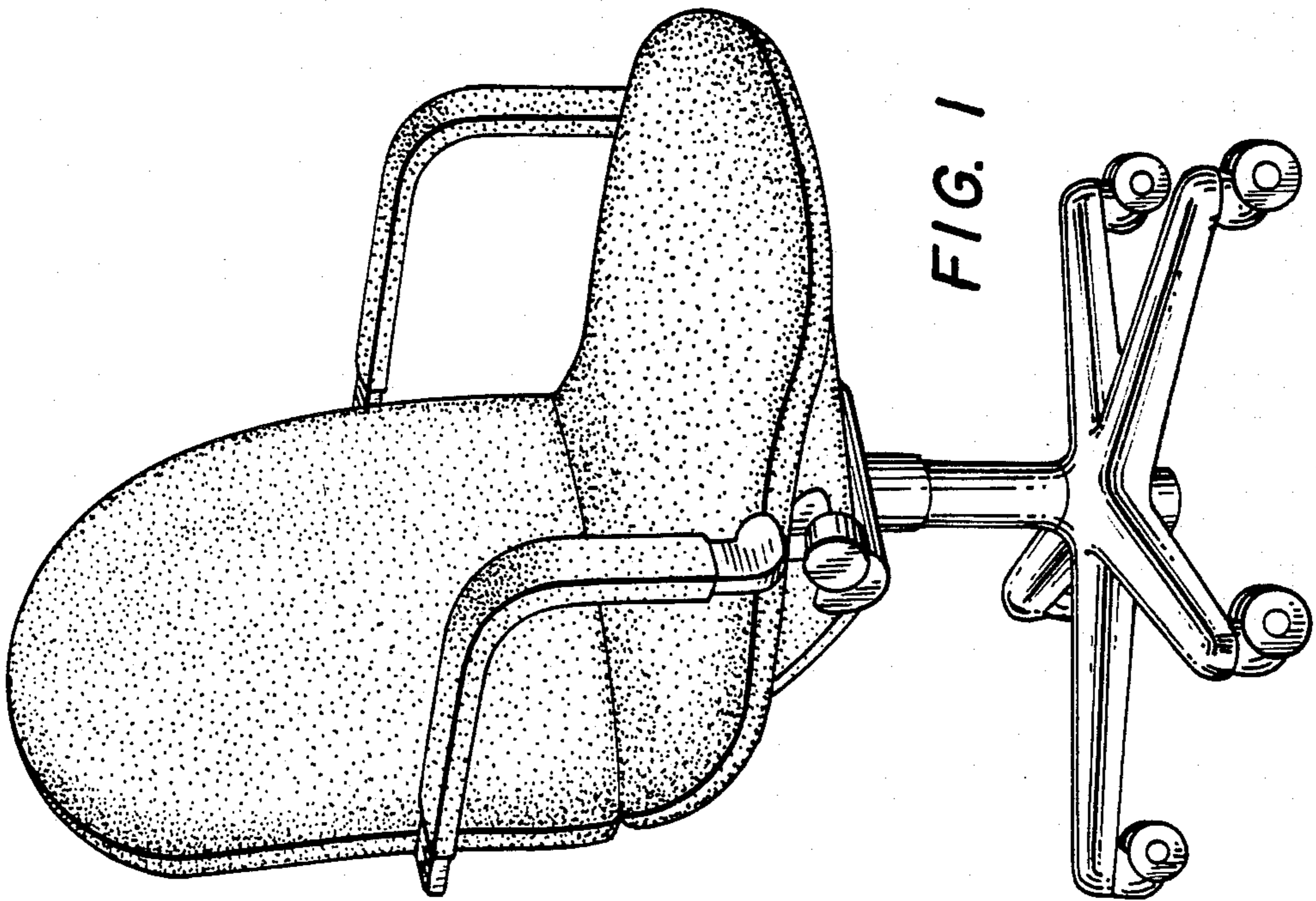
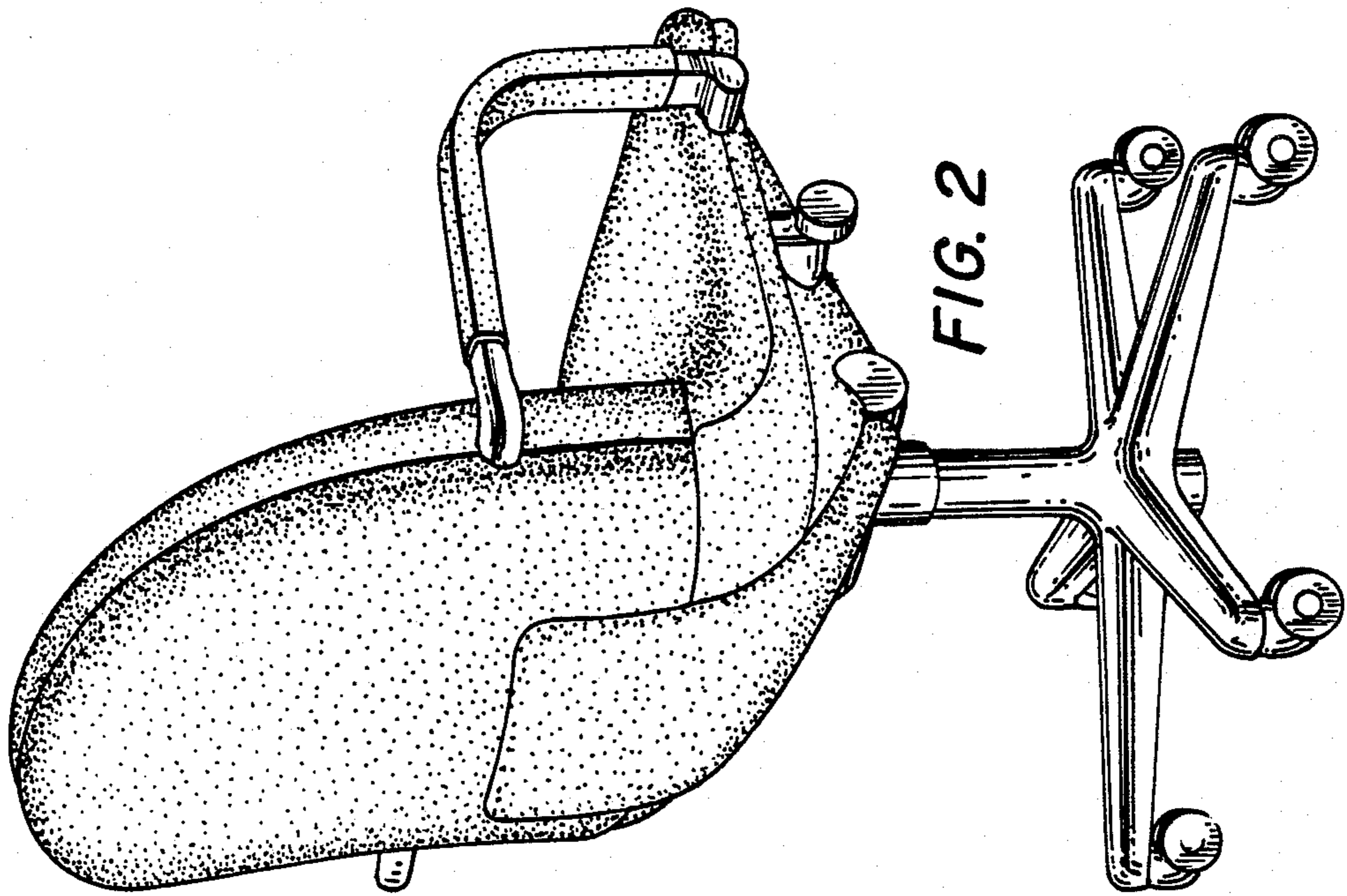
[57] **CLAIM**

The ornamental design for a swivel chair, substantially as shown and described.

DESCRIPTION

FIG. 1 is a front perspective view of a swivel chair according to a first embodiment of the invention; FIG. 2 is a rear perspective view thereof; FIG. 3 is a front elevational view thereof; FIG. 4 is a rear elevational view thereof; FIG. 5 is a front perspective view of a swivel chair according to a second embodiment of the invention; FIG. 6 is a rear perspective view thereof; FIG. 7 is a front elevational view thereof; FIG. 8 is a rear elevational view thereof; FIG. 9 is a front perspective view of a swivel chair according to a third embodiment of the invention; FIG. 10 is a rear perspective view thereof; FIG. 11 is a front elevational view thereof; and FIG. 12 is a rear elevational view thereof.





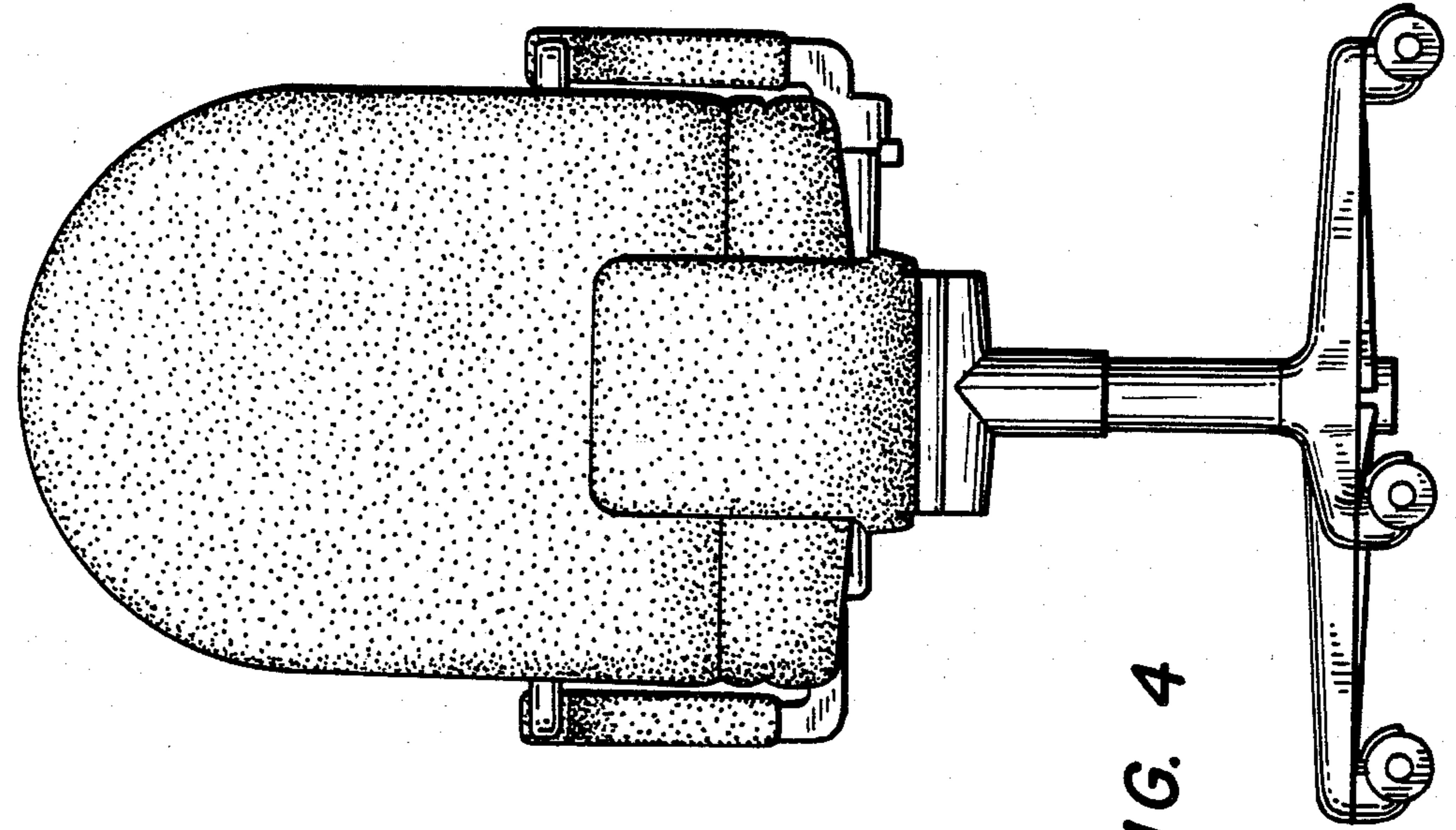


FIG. 4

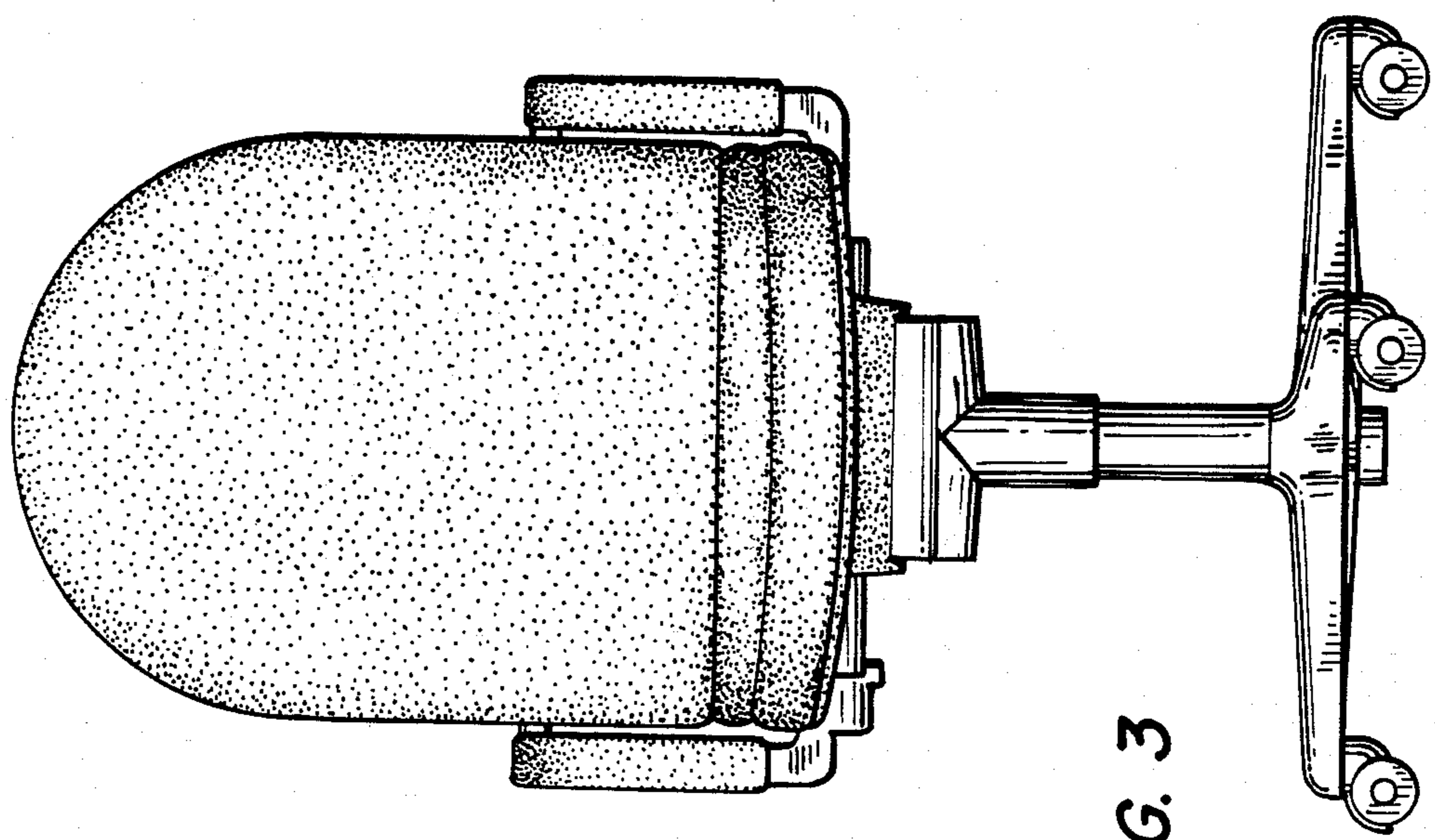


FIG. 3

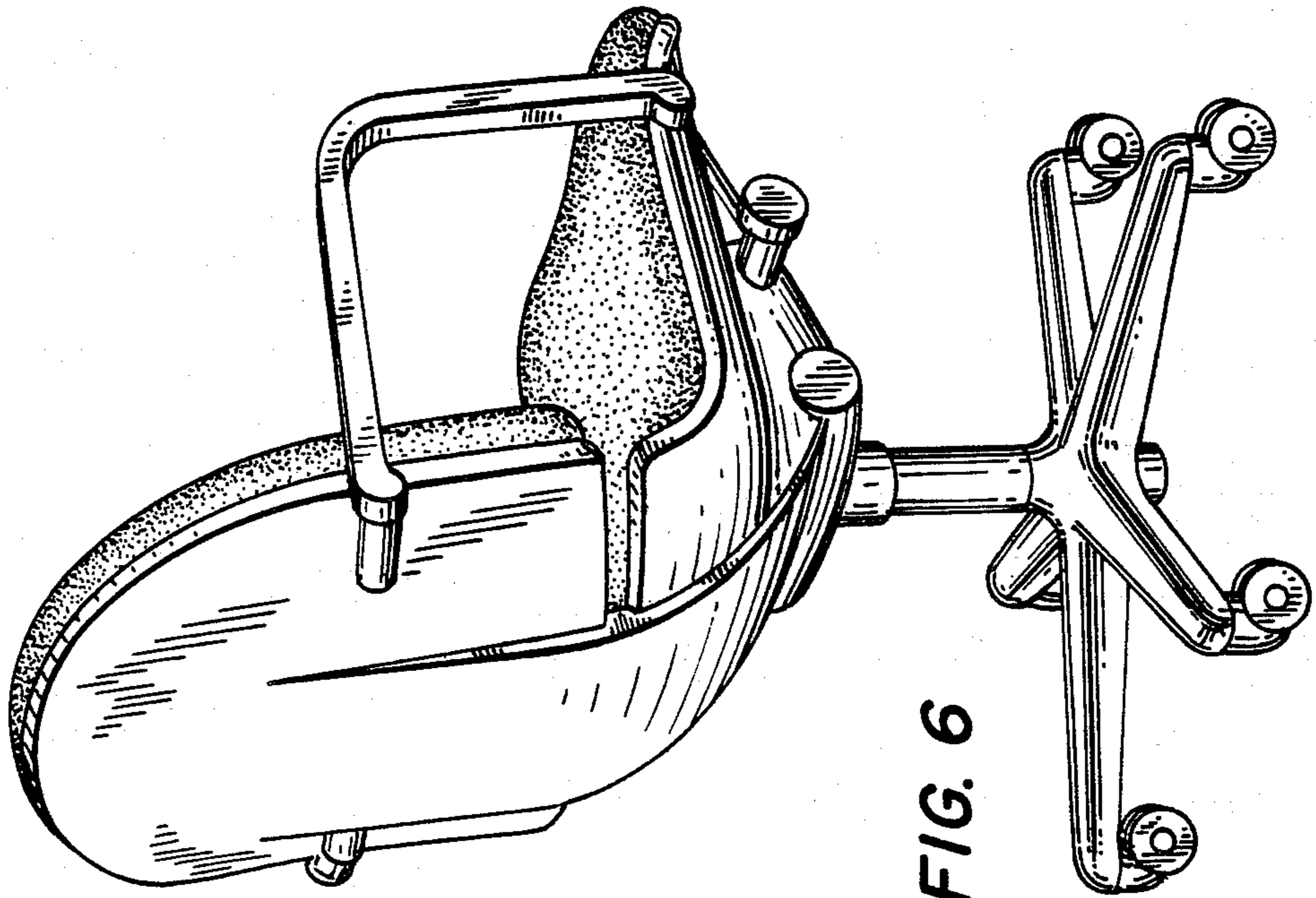


FIG. 6

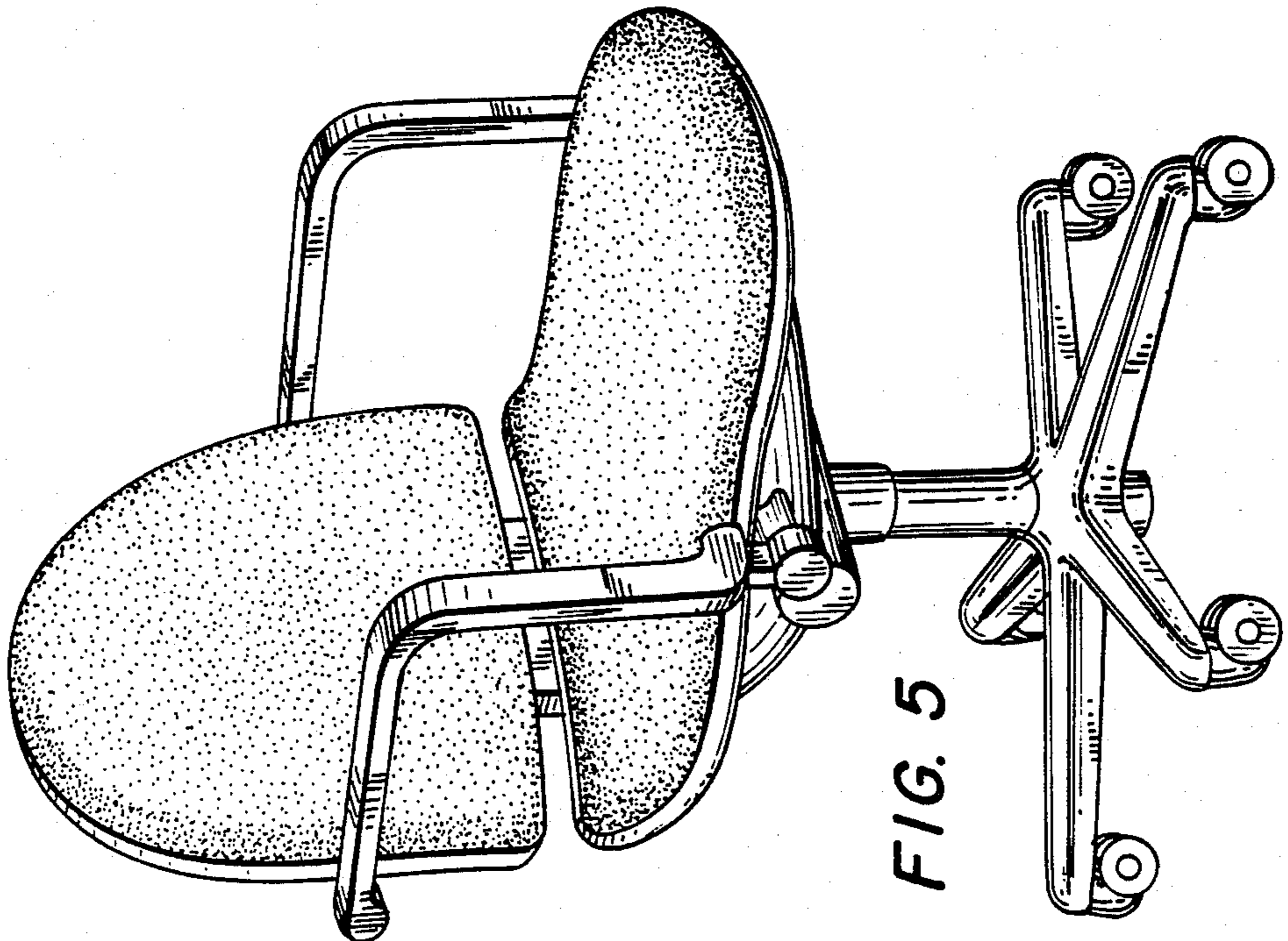


FIG. 5

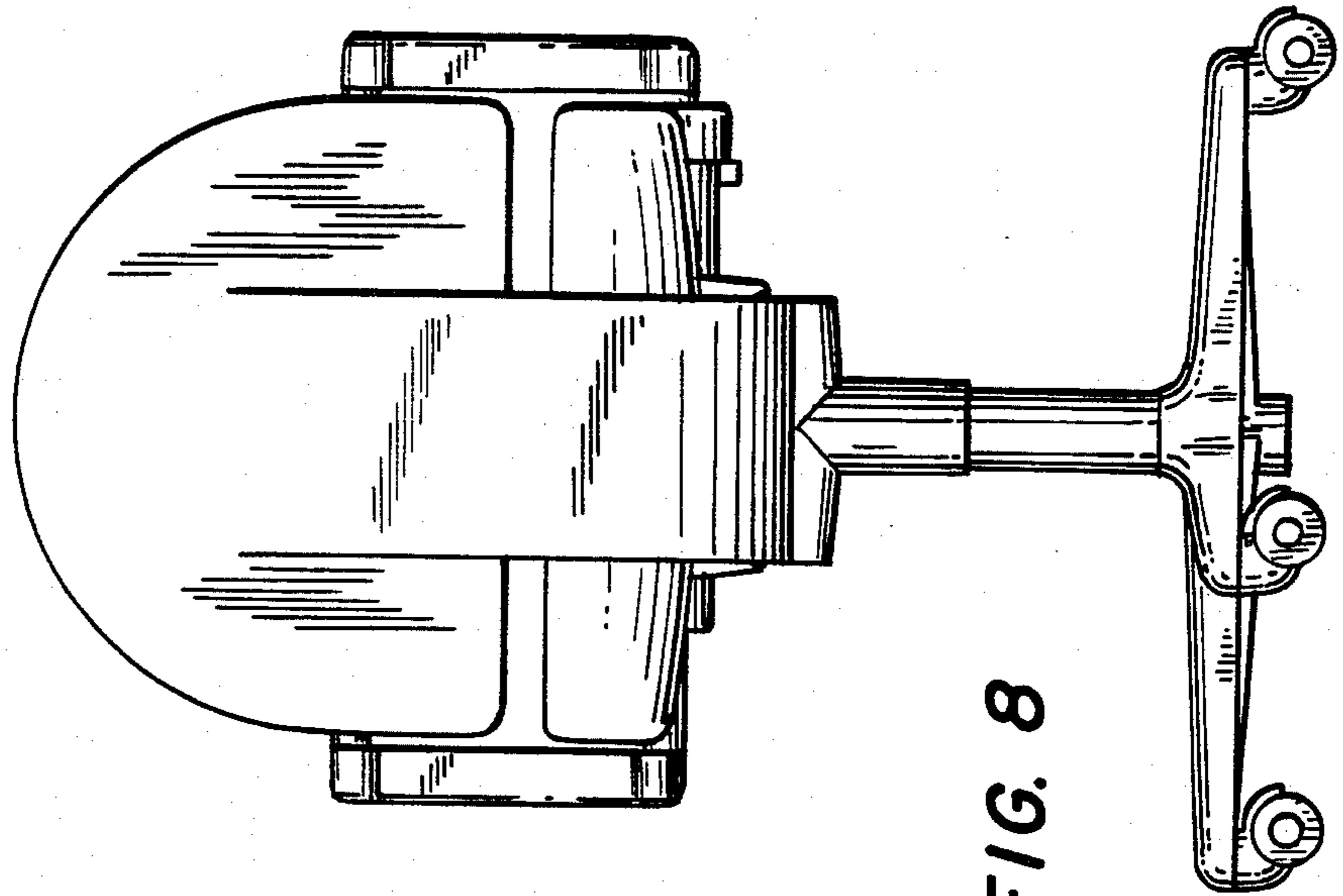


FIG. 8

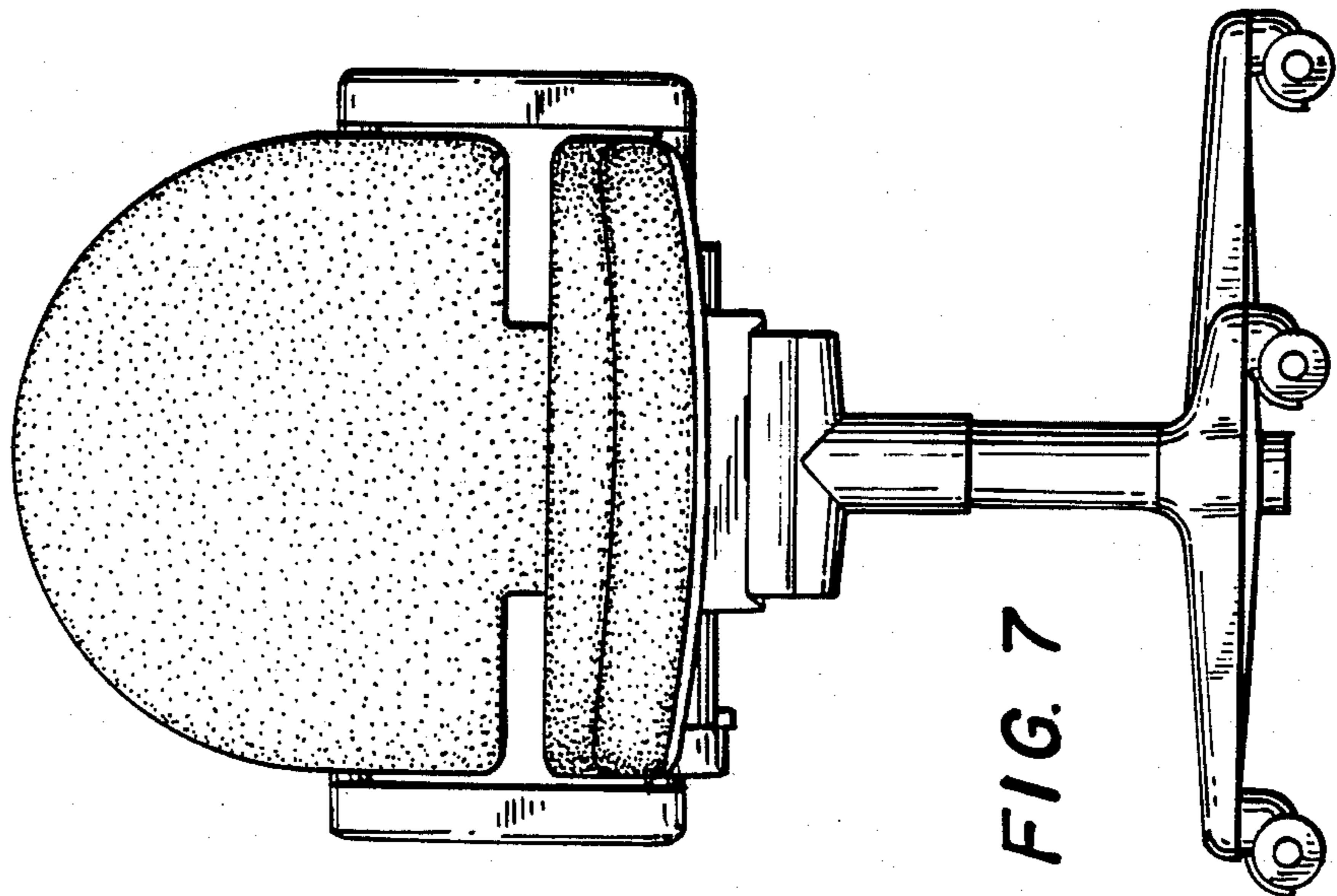


FIG. 7

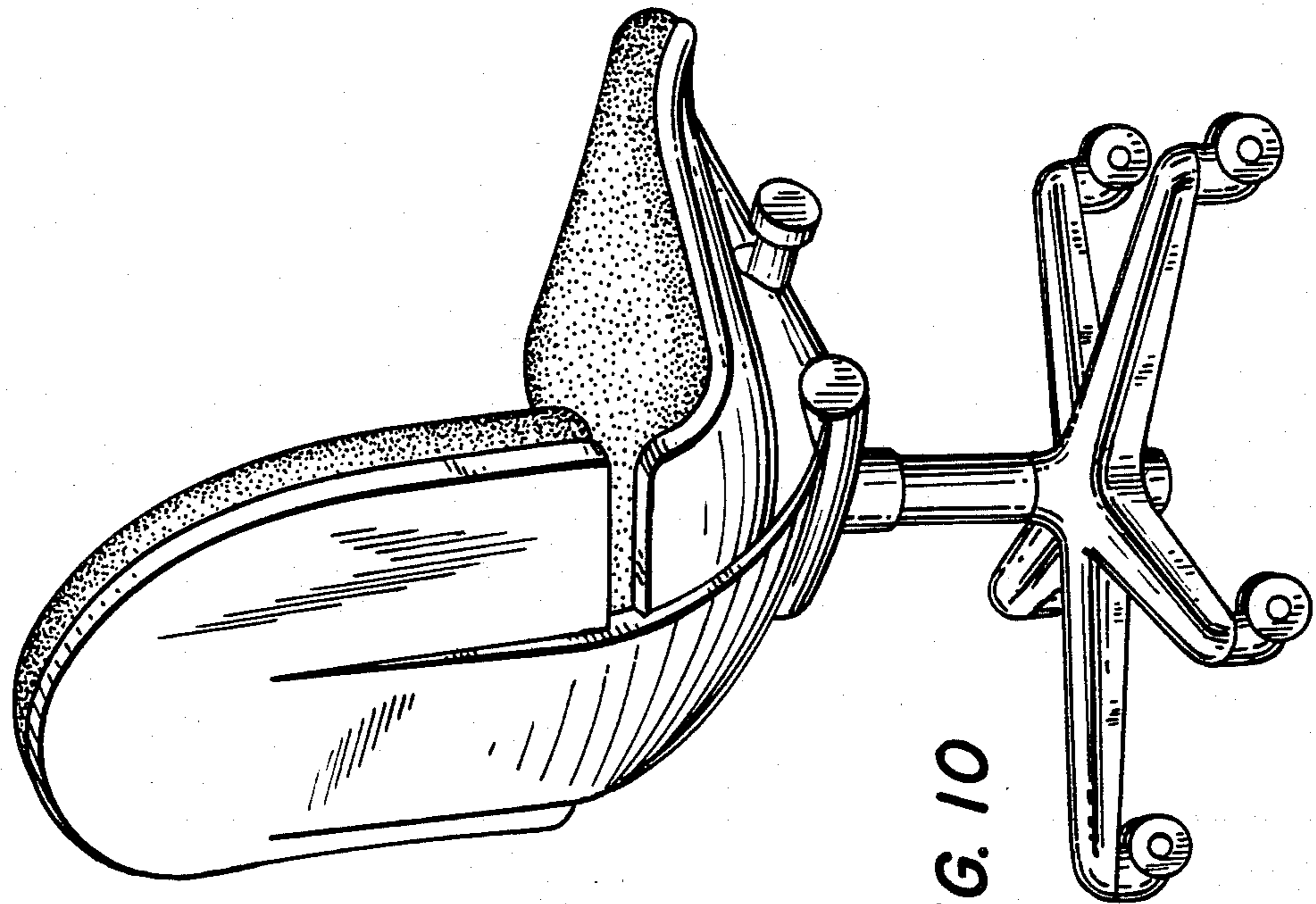


FIG. 10

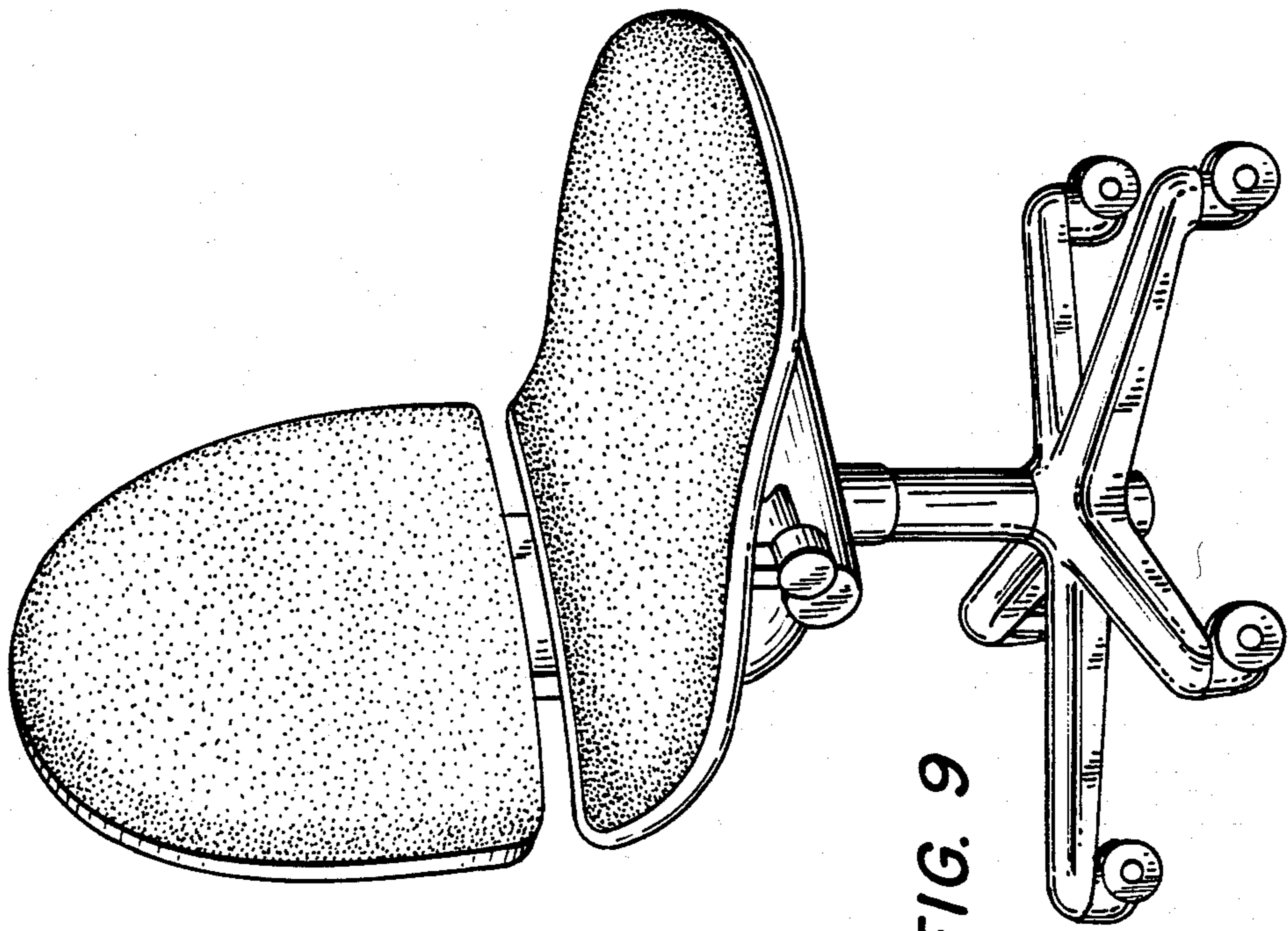


FIG. 9

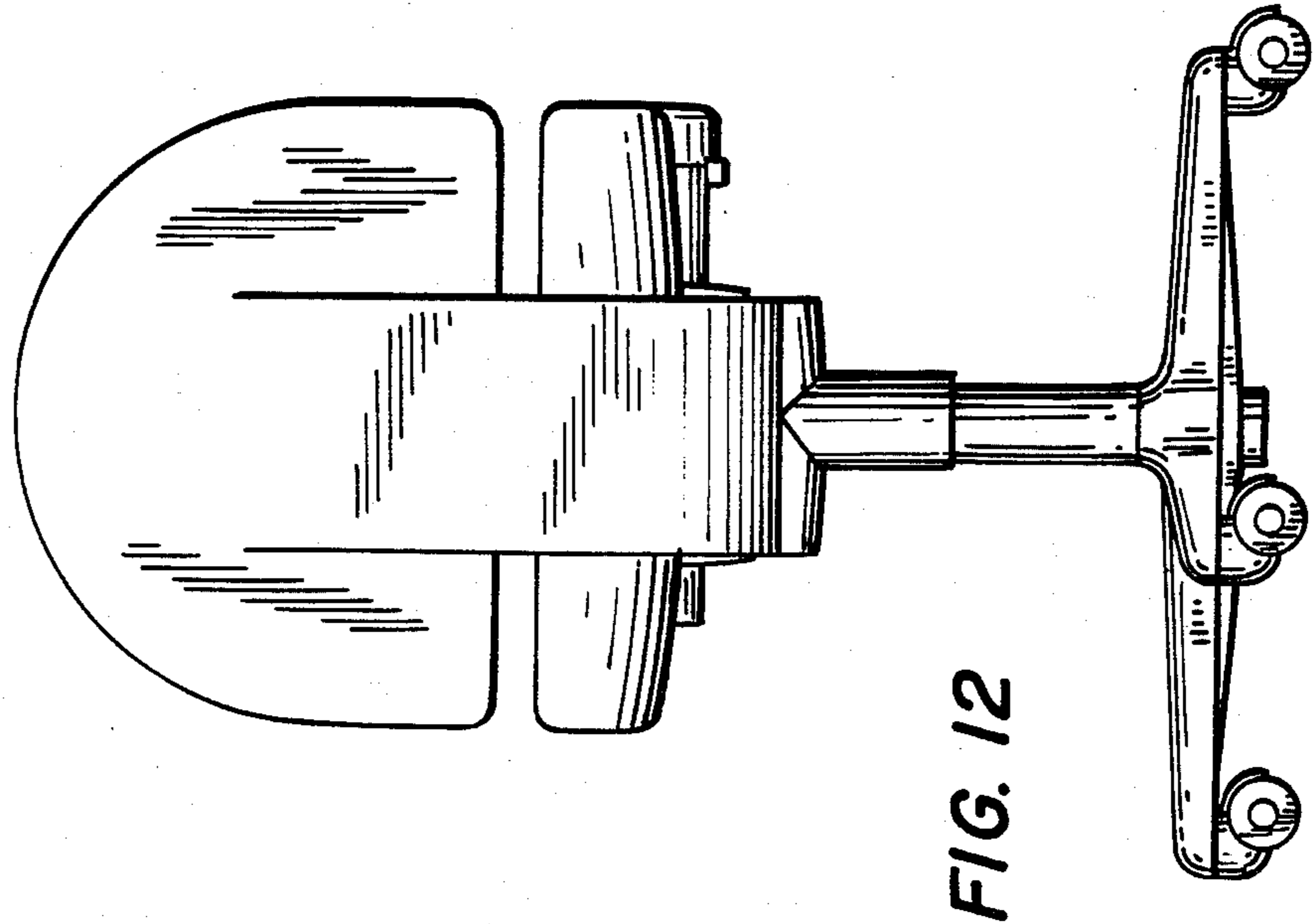


FIG. 12

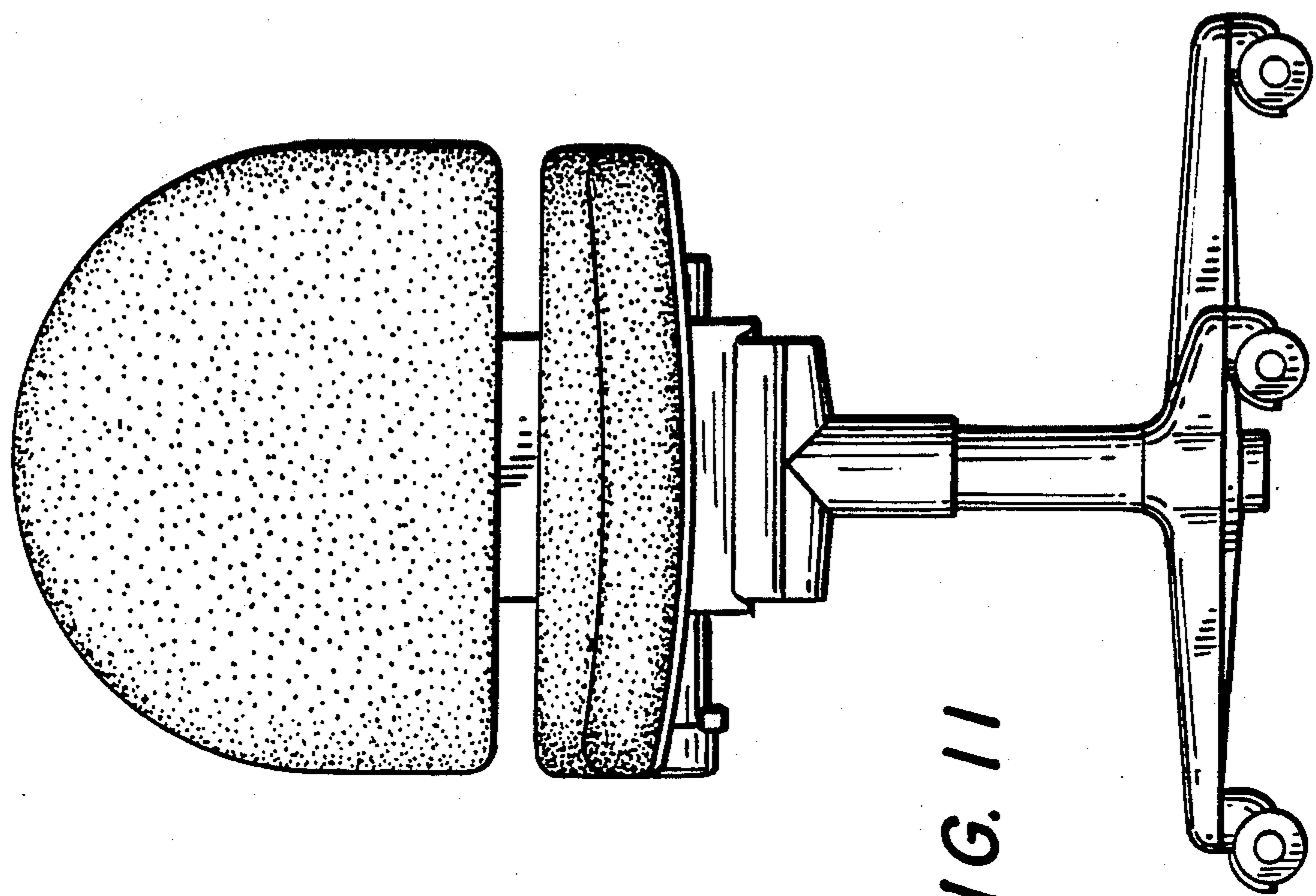


FIG. 11