

[54] COMBINED SEAT AND COOLER UNIT

[76] Inventor: Jessie J. Brannon, Rte. 2 Box 852, Munford, Ala. 36268

[\*\*] Term: 14 Years

[21] Appl. No.: 875,396

[22] Filed: Jun. 16, 1986

[52] U.S. Cl. .... D6/336

[58] Field of Search ..... D6/335, 336, 349; D7/77; 297/17

[56] References Cited

U.S. PATENT DOCUMENTS

- D. 179,593 1/1957 Cramer ..... D6/336
- D. 180,542 7/1957 Barrow ..... D6/336
- D. 197,558 2/1964 Sokolis ..... D6/336

- D. 240,781 8/1976 Kohler ..... D6/336
- D. 293,632 1/1988 Capocasa ..... D6/336

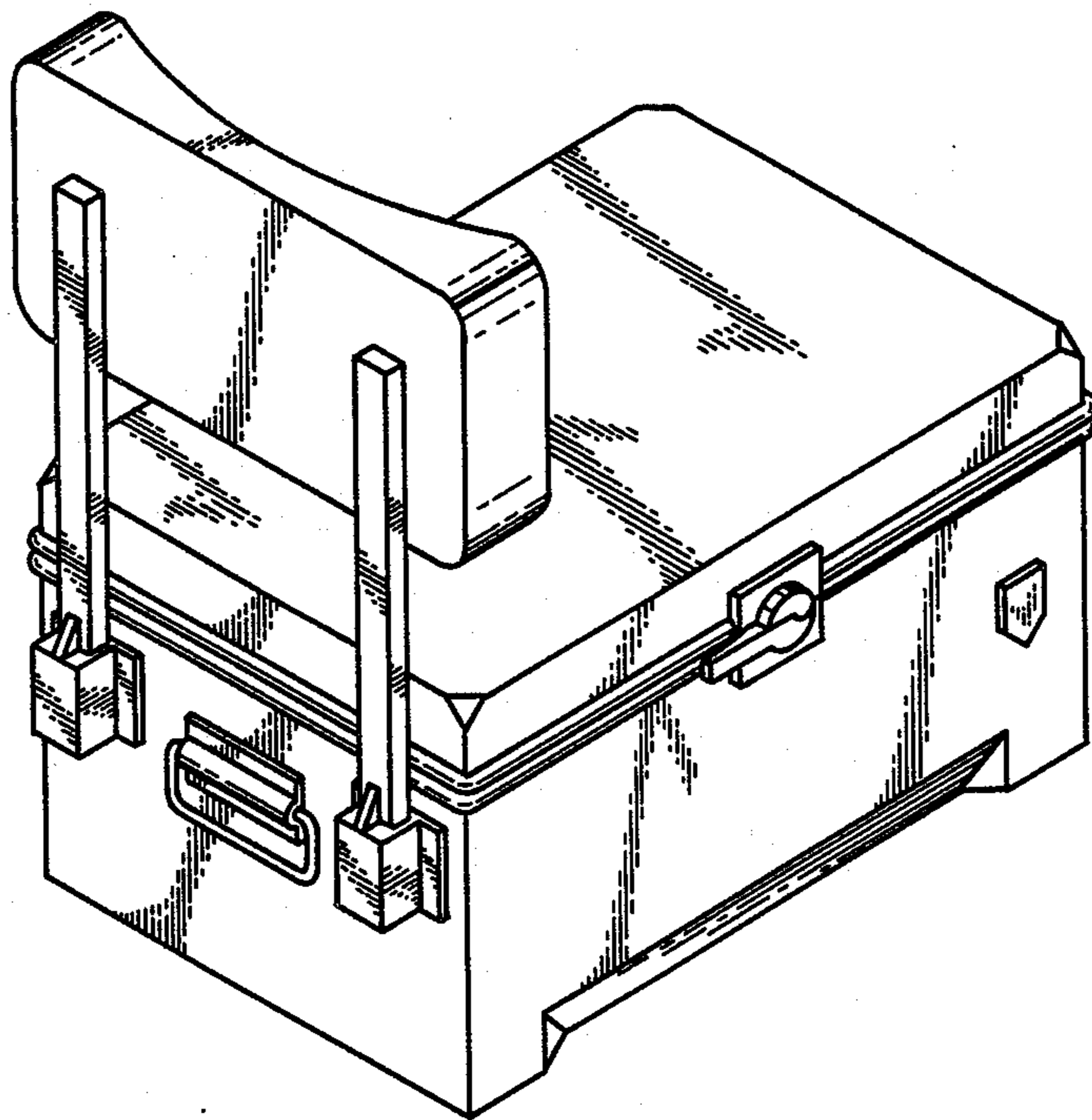
Primary Examiner—Bruce W. Dunkins  
Attorney, Agent, or Firm—W. C. Tupman

[57] CLAIM

The ornamental design for a combined seat and cooler unit, as shown and described.

DESCRIPTION

FIG. 1 is a rear perspective view of a combined seat and cooler unit showing my design; FIG. 2 is an elevational view showing the side not disclosed in FIG. 1; FIG. 3 is a front elevational view; and FIG. 4 is a top plan view thereof. The undisclosed bottom surface is conventional in appearance.



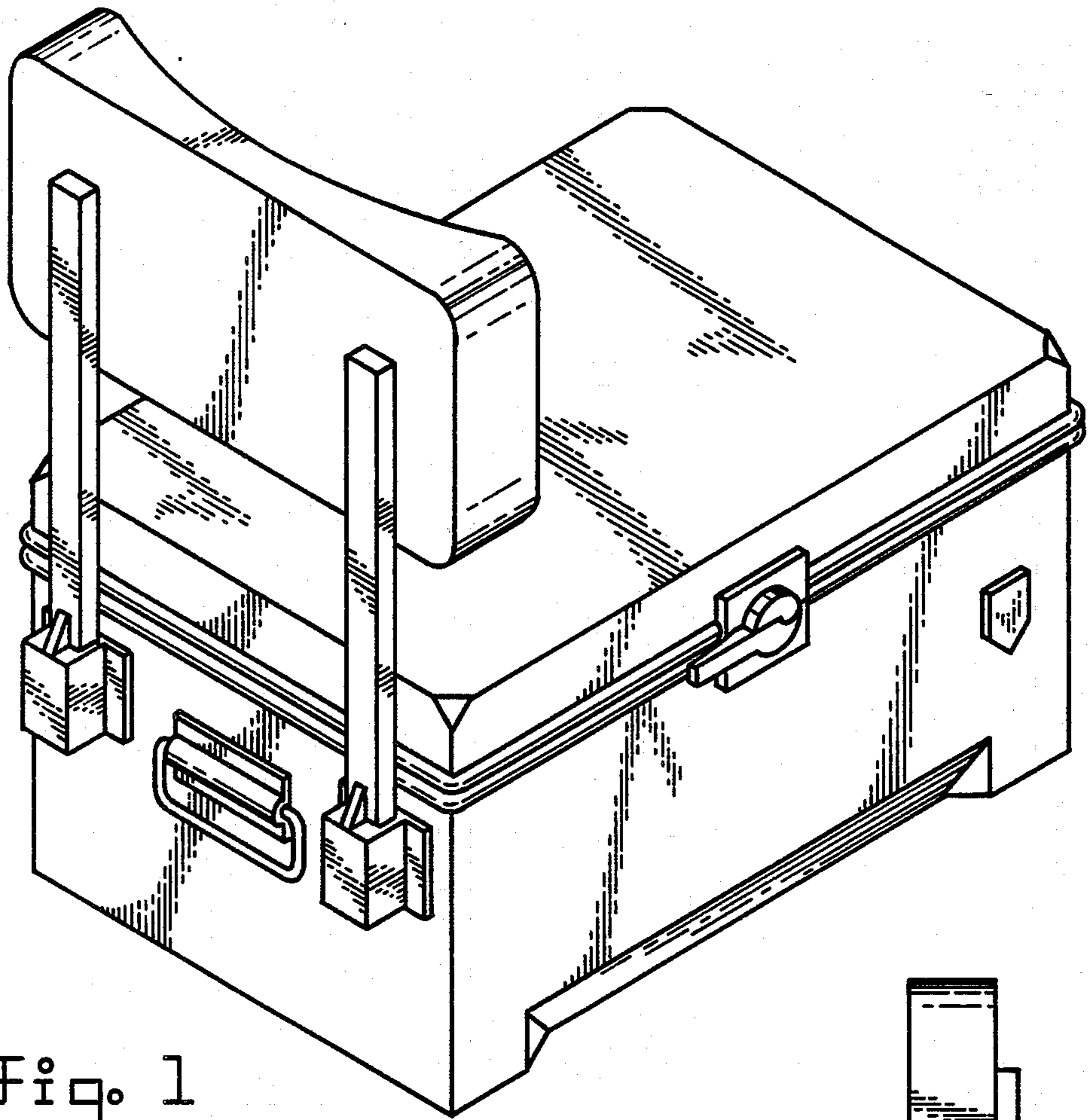


Fig. 1

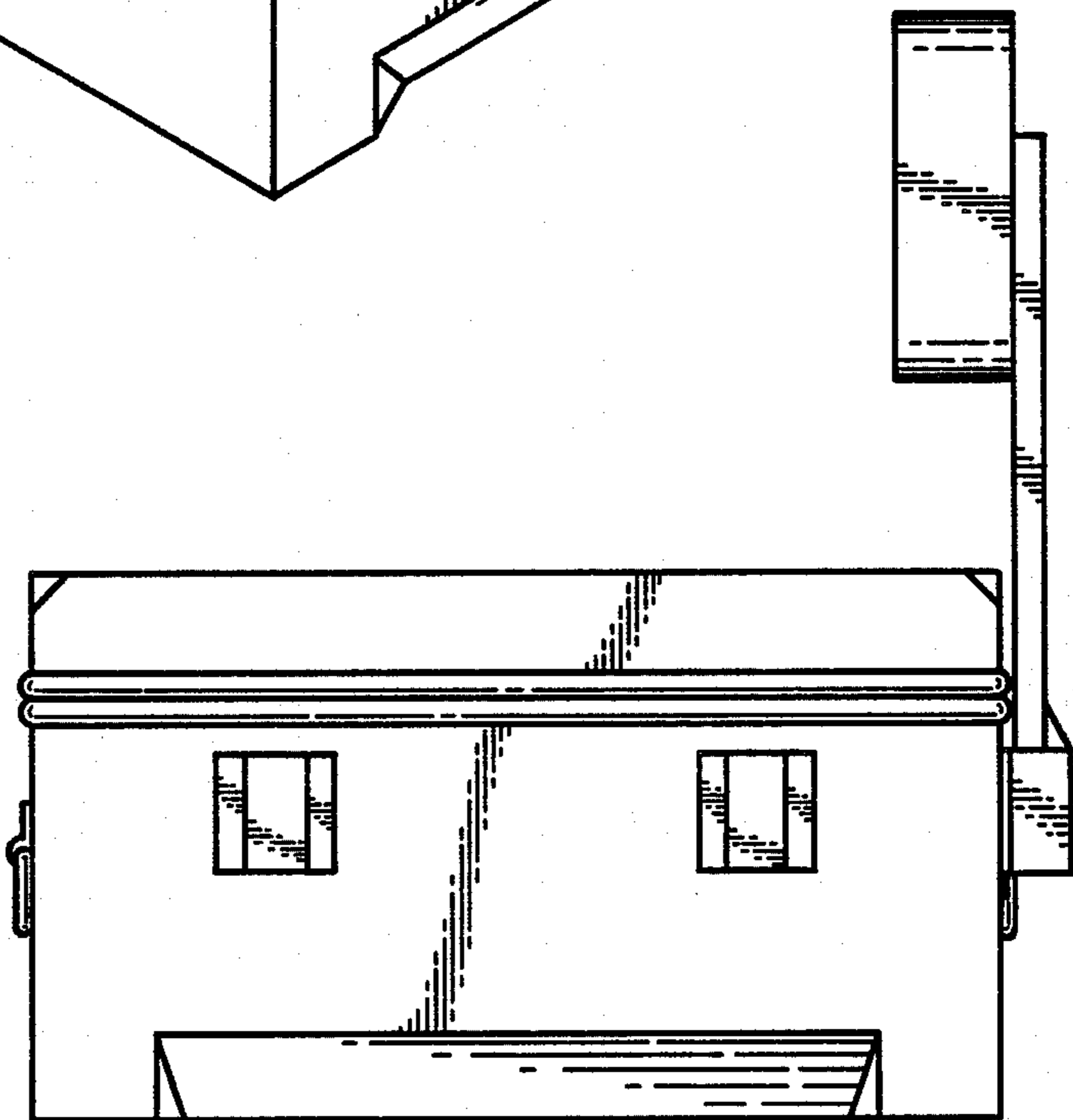


Fig. 2

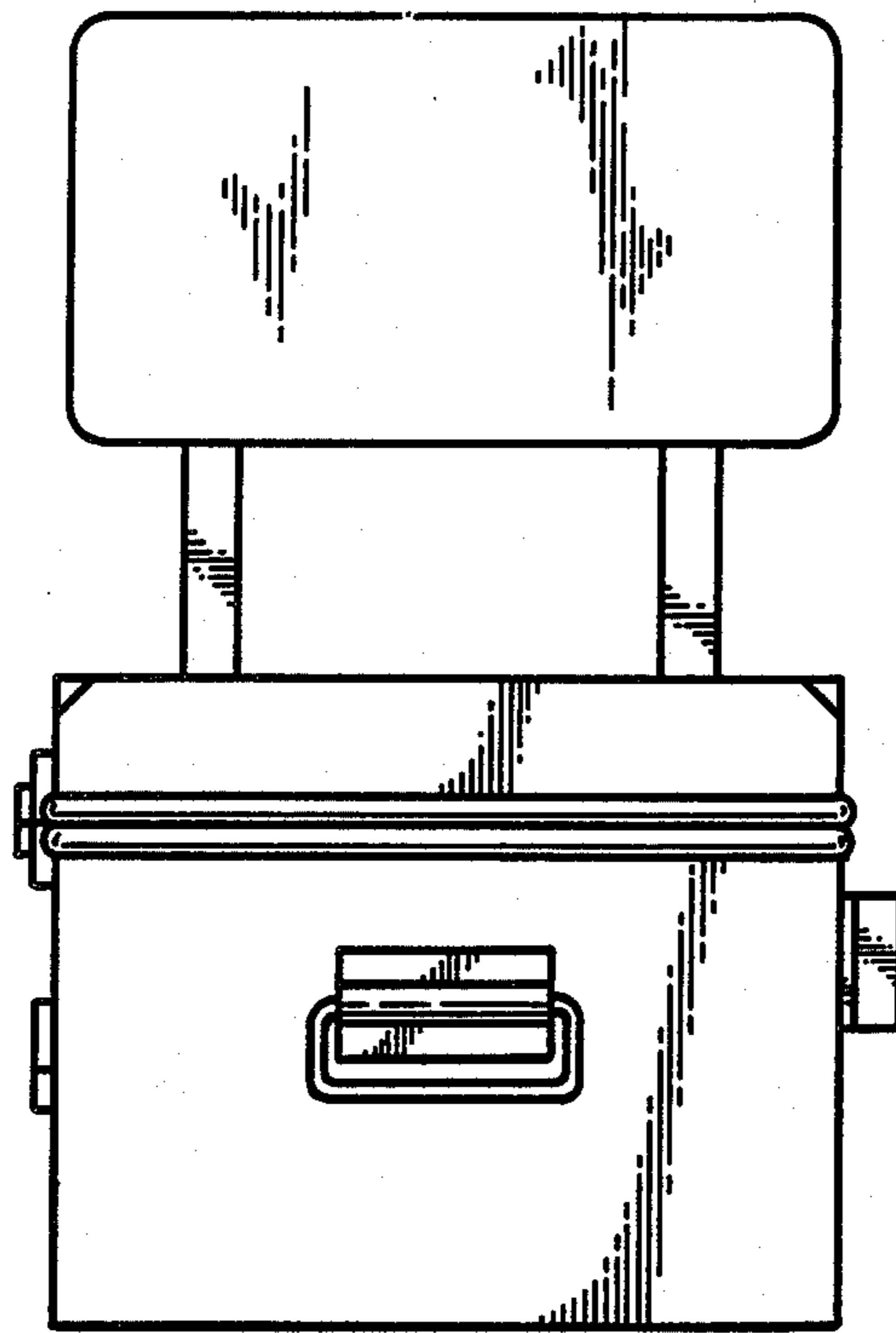


Fig. 3

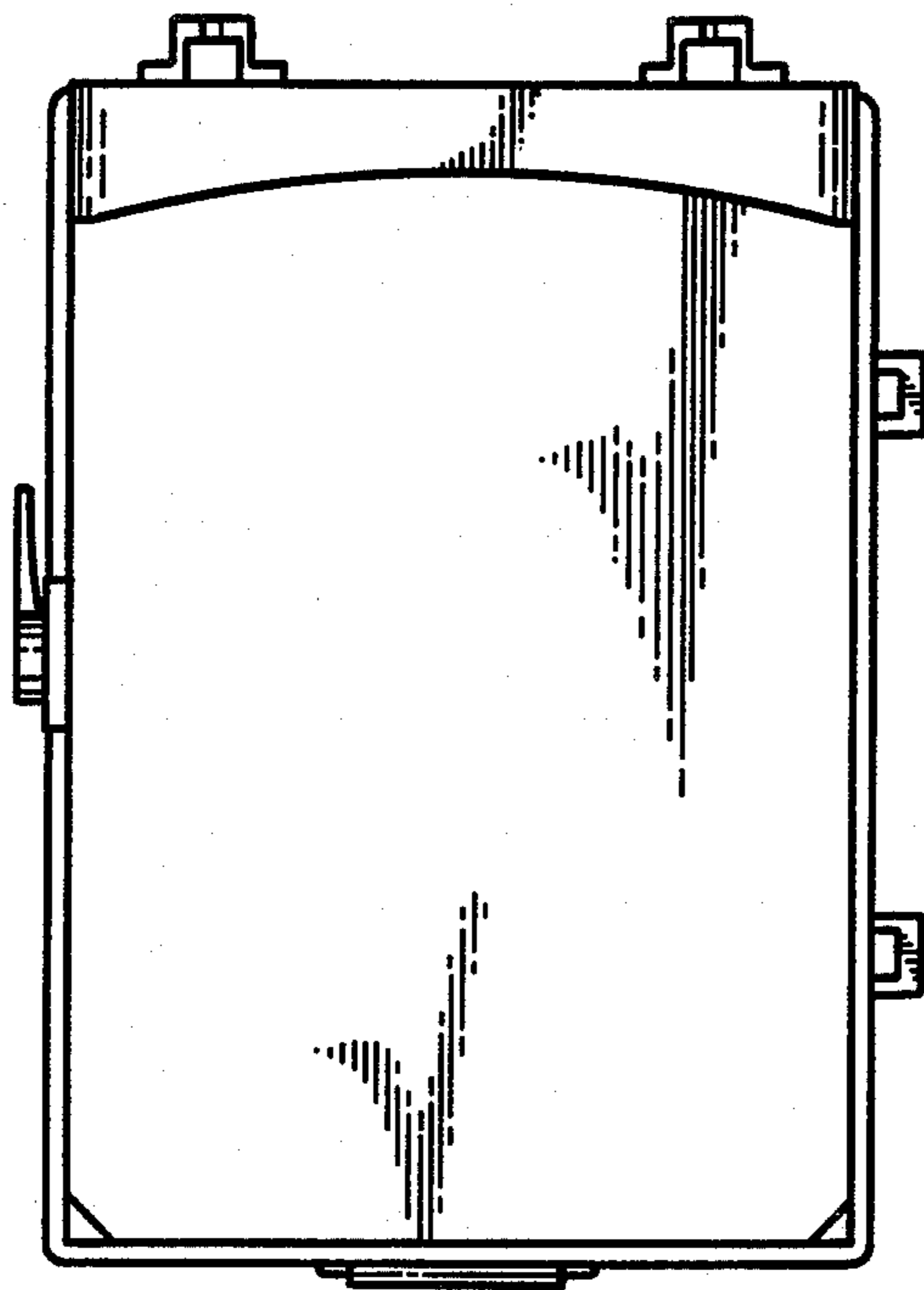


Fig. 4