

United States Patent [19]

Bruse

[11] Patent Number: **Des. 298,183**

[45] Date of Patent: **** Oct. 25, 1988**

[54] **COMBINATION HAIRDRESSING AND MAKE-UP MIRROR**

[76] Inventor: **Mary F. Bruse**, Heatherwood Village, 1925 Central Ave., Box 80, Lakeland, Fla. 33803

[**] Term: **14 Years**

[21] Appl. No.: **785,237**

[22] Filed: **Oct. 7, 1985**

[52] U.S. Cl. **D6/300**

[58] Field of Search **D6/300-302, D6/308-314; 40/152.1; 248/188.5, 407-409; 350/600, 639**

[56] **References Cited**

U.S. PATENT DOCUMENTS

D. 159,100 6/1950 Ryder D6/309

D. 160,995 11/1950 Busa D6/301

FOREIGN PATENT DOCUMENTS

449411 6/1936 United Kingdom 40/152.1

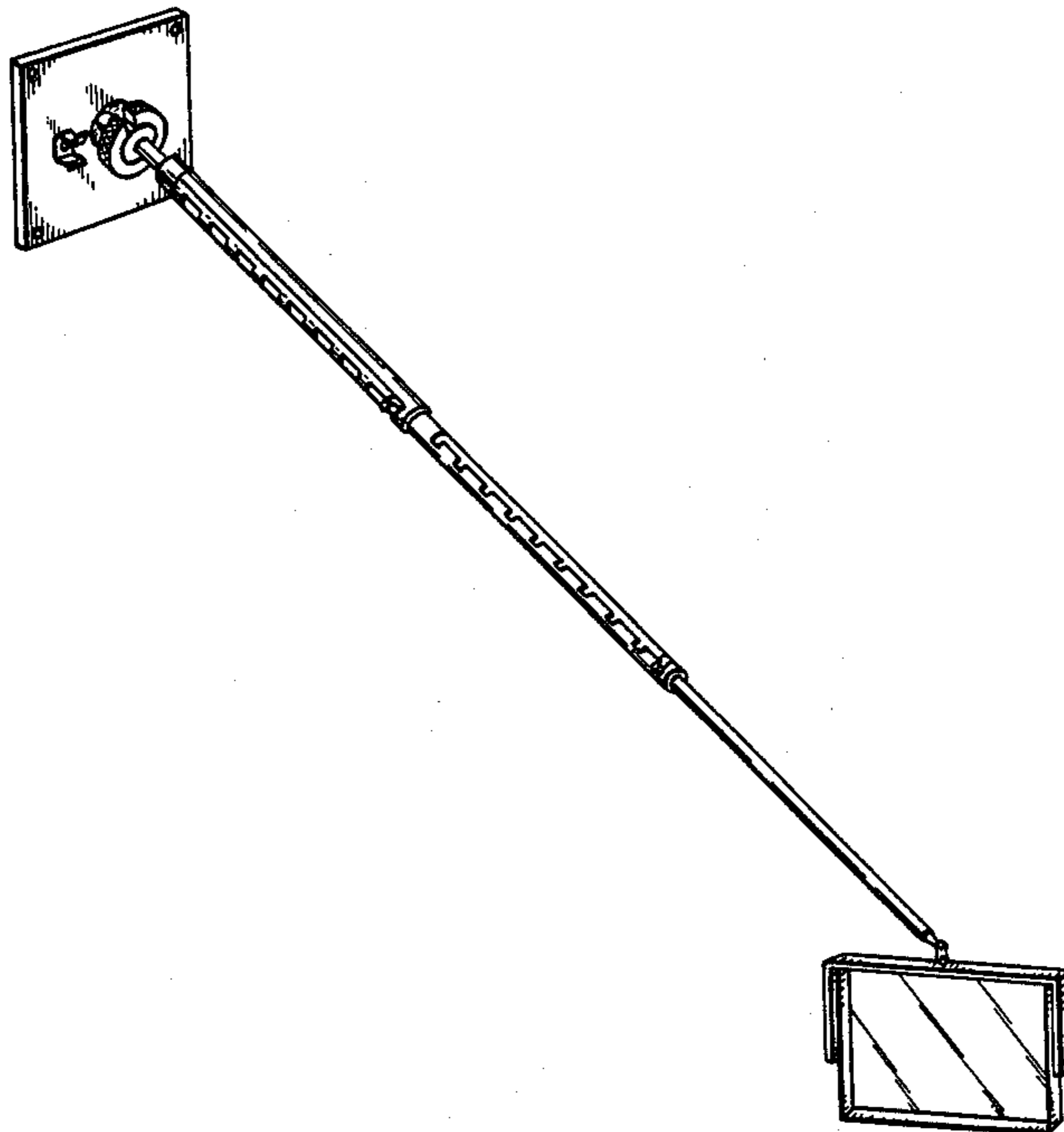
Primary Examiner—Bernard Ansher
Assistant Examiner—T. A. Pfeffer
Attorney, Agent, or Firm—Michael C. Smith

[57] **CLAIM**

The ornamental design for a combination hairdressing and make-up mirror, substantially as shown and described.

DESCRIPTION

FIG. 1 is a front perspective view of a combination hairdressing and make-up mirror showing my new design; and FIG. 2 is a rear perspective view thereof shown in an extended position.



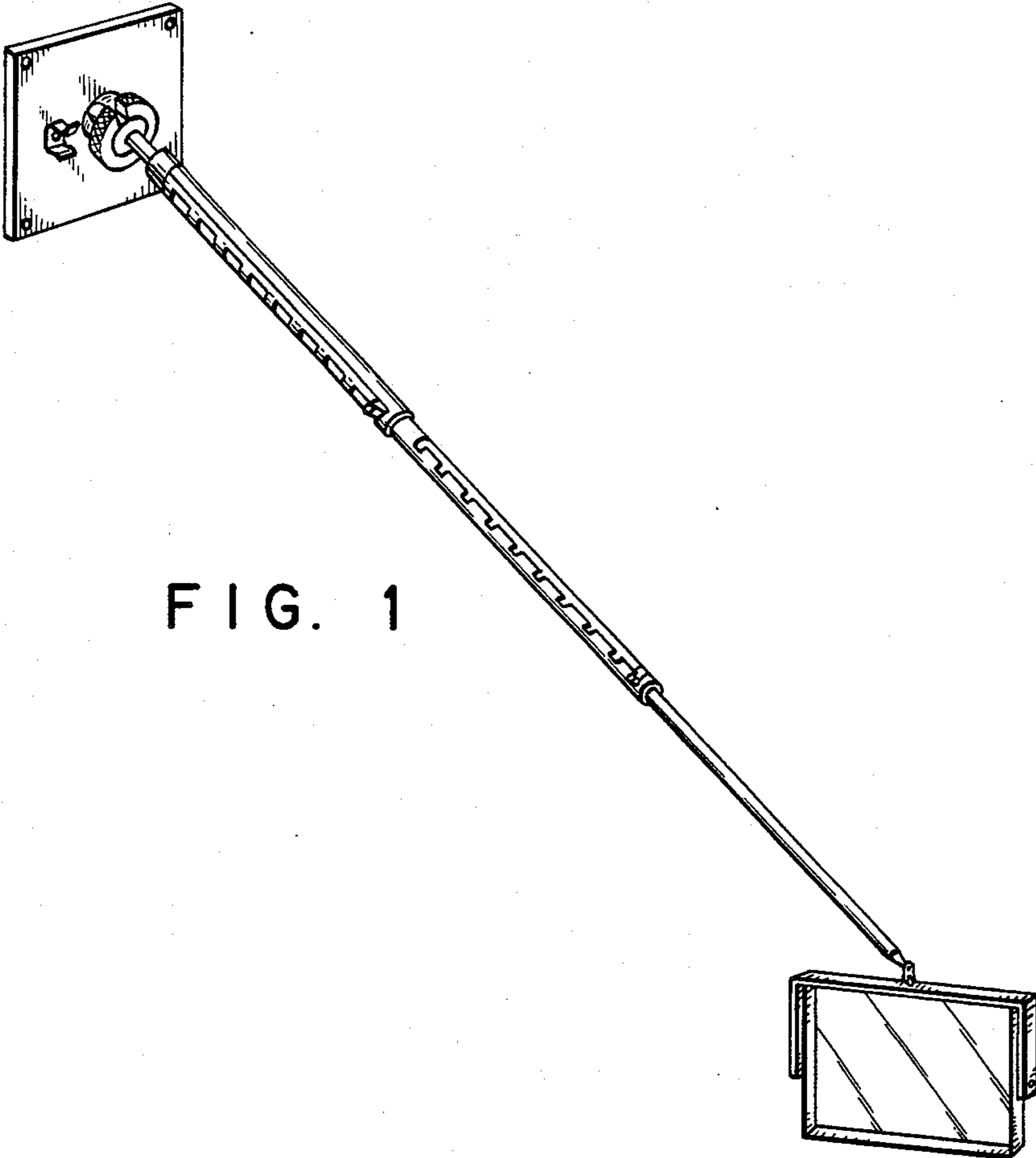


FIG. 1

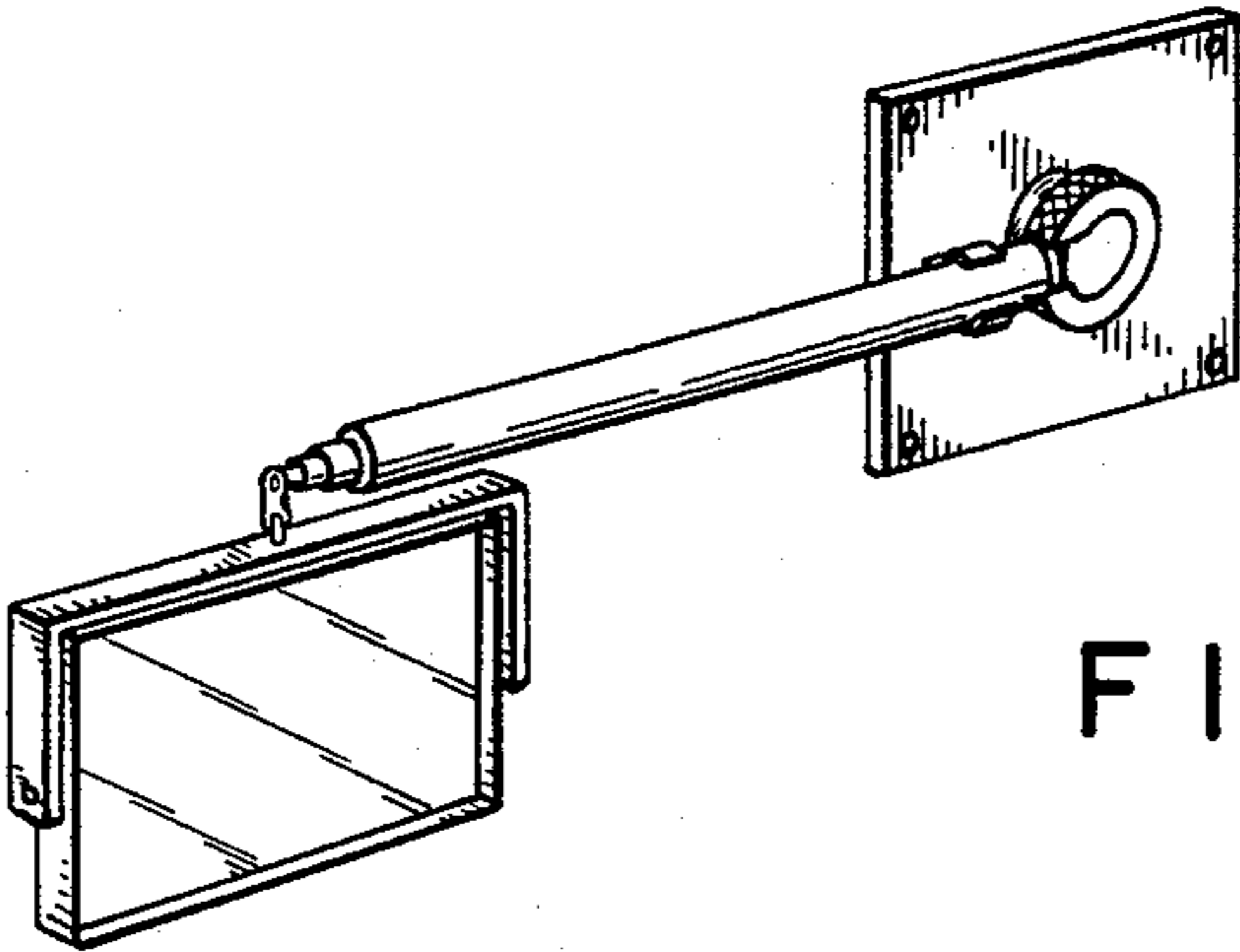


FIG. 2