

[54] COMBINED RESPIRATOR AND GOGGLES

[75] Inventors: Goro Kikuch, Tokyo; Takeshi Kumazawa; Hiroshi Miura, both of Sagamihara, all of Japan

[73] Assignee: Tensho Electric Industries Co., Ltd., Tokyo, Japan

[**] Term: 14 Years

[21] Appl. No.: 740,054

[22] Filed: May 30, 1985

[52] U.S. Cl. D29/7

[58] Field of Search D29/6, 1, 9; 128/205.17, 205.24, 206.24; 2/8

[56] References Cited

U.S. PATENT DOCUMENTS

- D. 214,817 7/1969 Widolf D29/9
- D. 220,304 3/1971 Wolfe D29/9

- 2,684,066 7/1954 Glidden 128/205.24
- 3,180,333 4/1965 Lewis D29/9
- 3,572,332 4/1969 Wise 128/205.24
- 3,845,768 11/1974 Garrahan 128/206.24
- 4,328,798 5/1982 Isaacson 128/205.24

Primary Examiner—Wallace R. Burke
Assistant Examiner—Kay H. Chin
Attorney, Agent, or Firm—Wenderoth, Lind & Ponack

[57] CLAIM

The ornamental design for a combined respirator and goggles, as shown and described.

DESCRIPTION

FIG. 1 is a front perspective view of a combined respirator and goggles showing my new design;
FIG. 2 is a front elevational view thereof;
FIG. 3 is a right side elevational view thereof, the left side elevational view being a mirror image of that shown; and
FIG. 4 is a top plan view thereof.

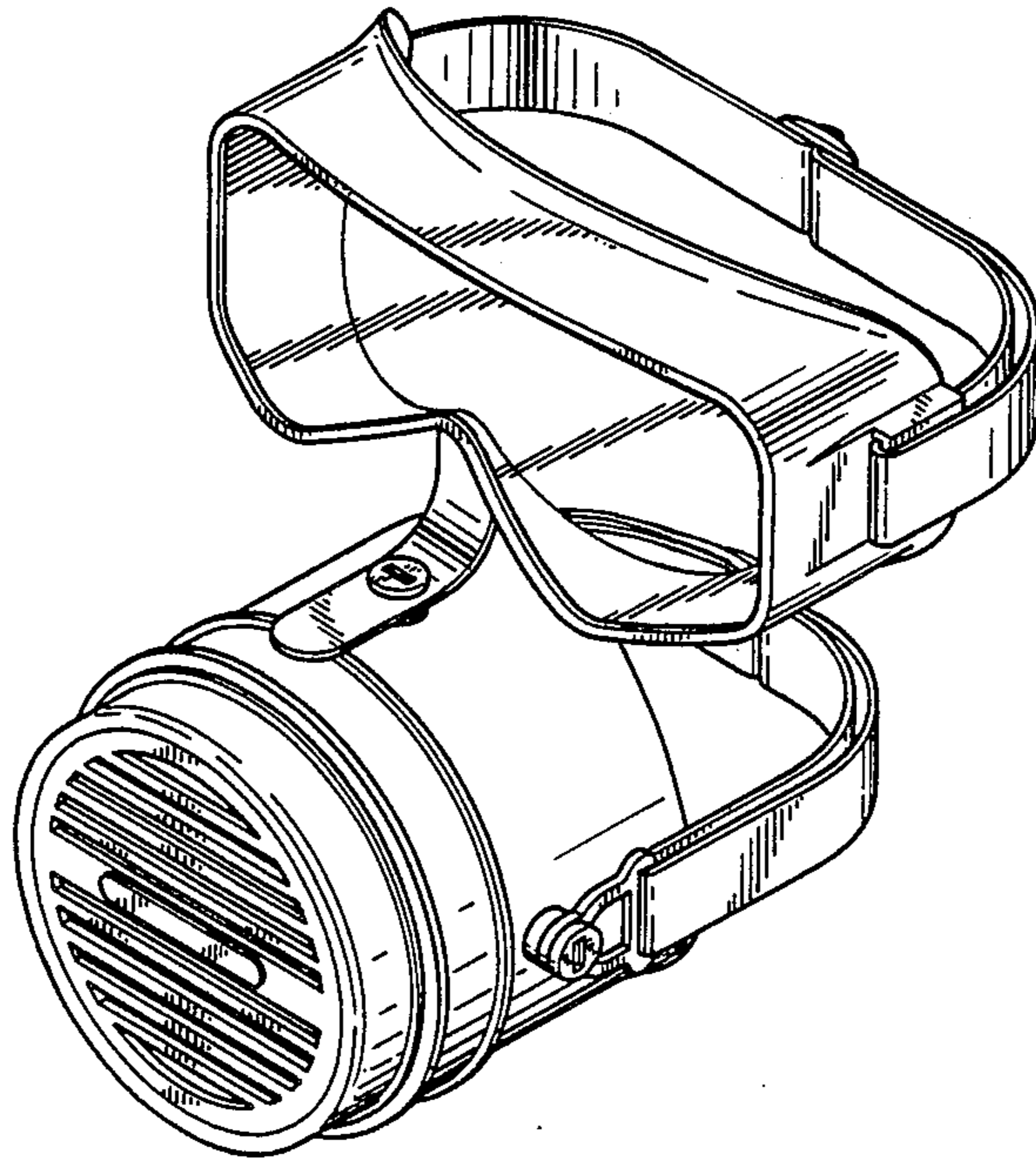


FIG. 1

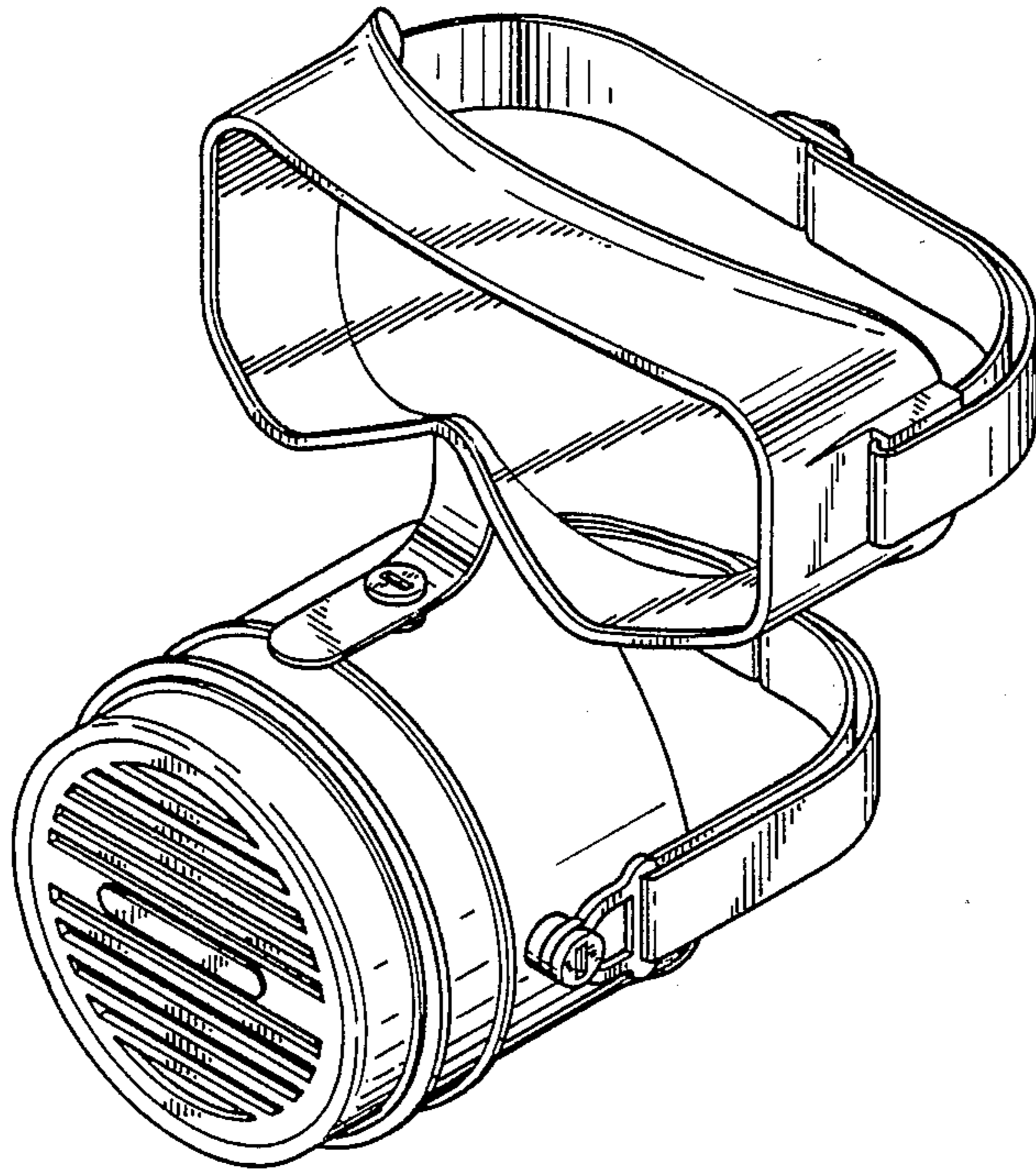


FIG. 2

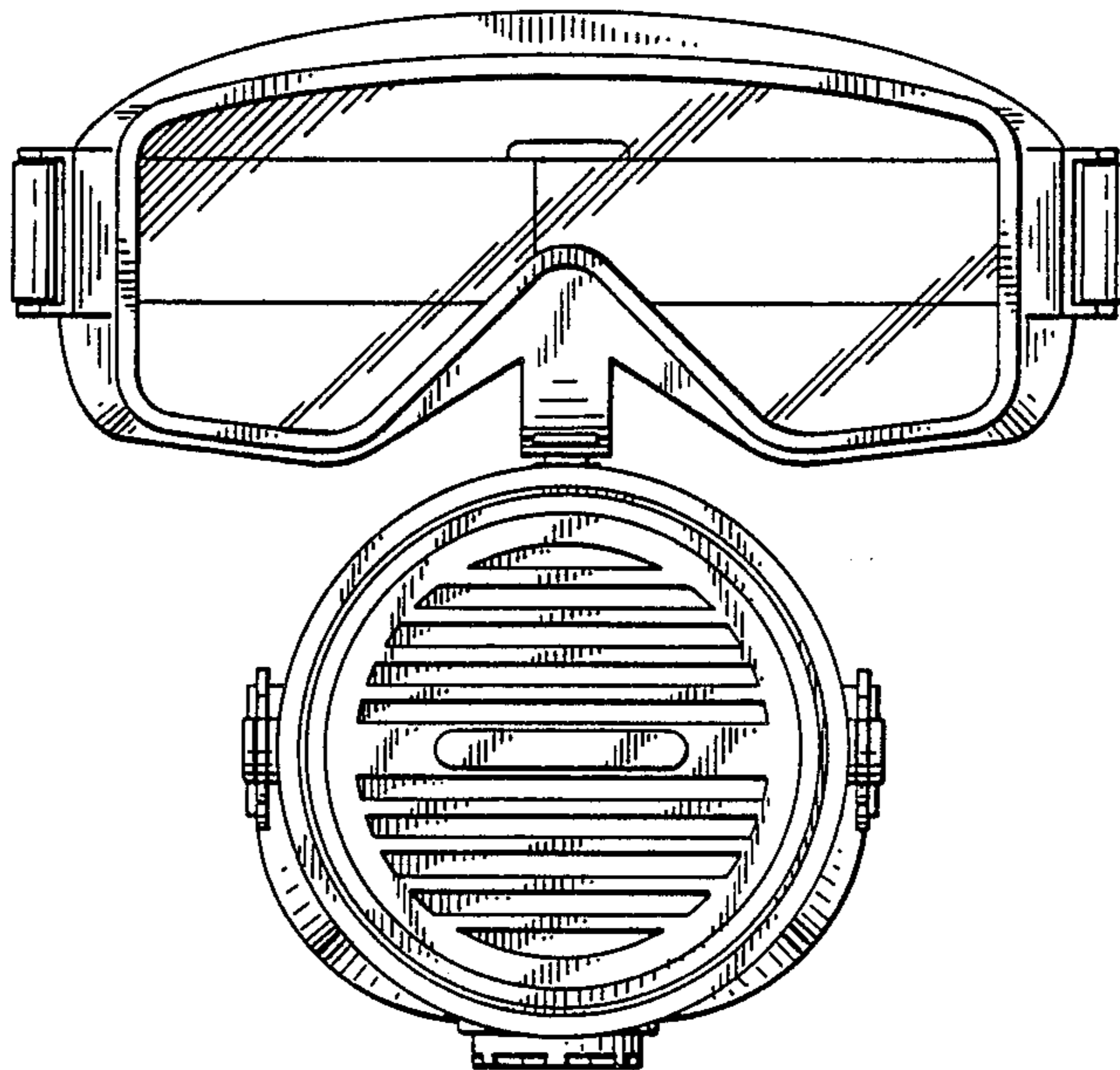


FIG. 3

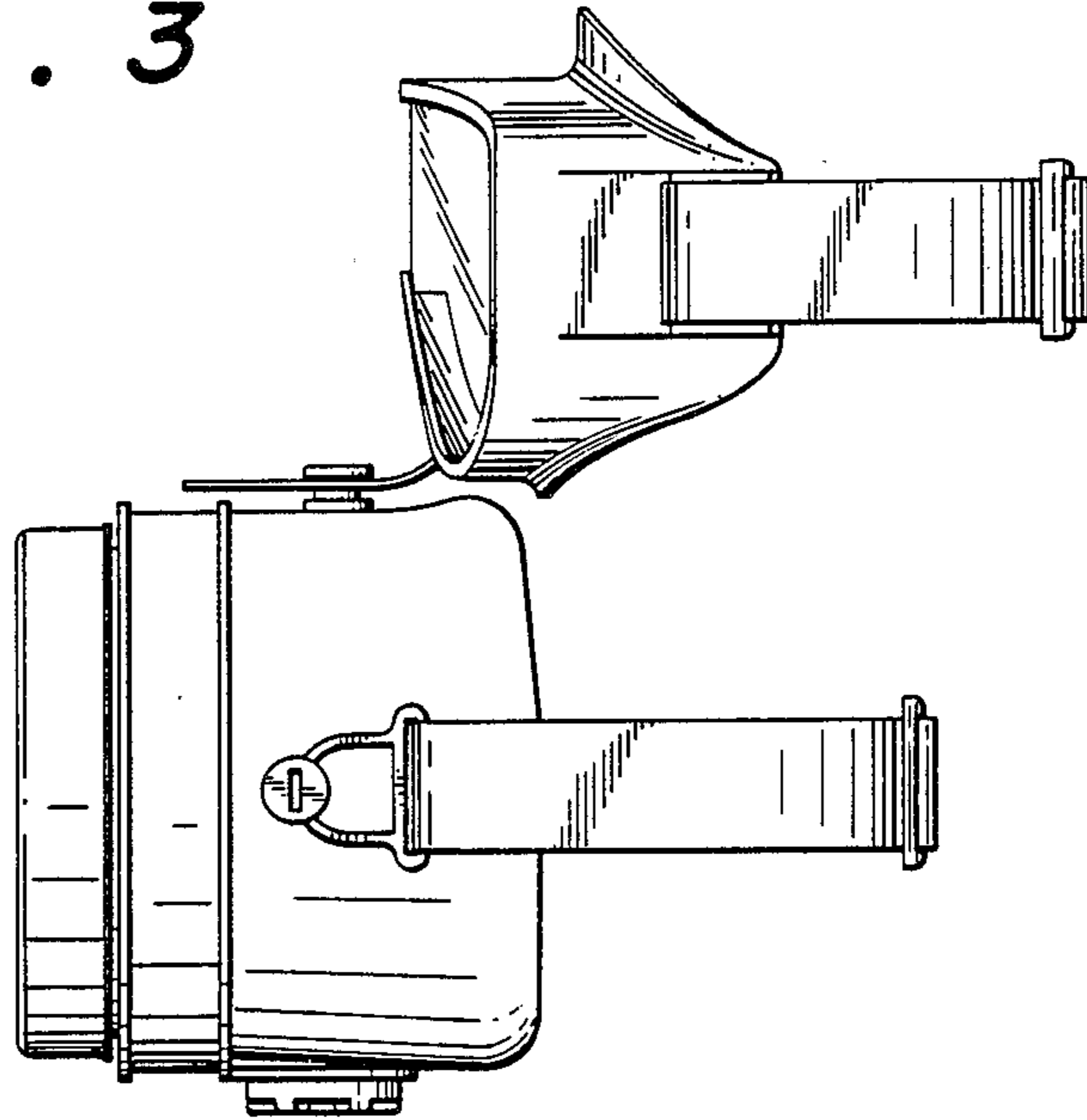


FIG. 4

