

[54] **BASE FOR A FLUORESCENT LIGHT  
FIXTURE**

[75] **Inventor: Evert Oosterheerd, Eindhoven,  
Netherlands**

[73] **Assignee: U.S. Philips Corp., New York, N.Y.**

[\*\*] **Term: 14 Years**

[21] **Appl. No.: 764,374**

[22] **Filed: Aug. 12, 1985**

[30] **Foreign Application Priority Data**

Feb. 22, 1985 [XH] Hague ..... DM/004.824

[52] **U.S. Cl. .... D26/142; D26/72;  
D26/110**

[58] **Field of Search .... D26/142, 72-92,  
D26/113, 138, 24, 26, 3, 93, 102-112; 362/404,  
405, 406, 407, 408, 362, 216, 217, 410, 414, 411,  
412, 413**

[56] **References Cited**

**U.S. PATENT DOCUMENTS**

D. 290,885 7/1987 Morita ..... D26/110  
4,225,905 9/1980 Moriyama et al. .... 362/216

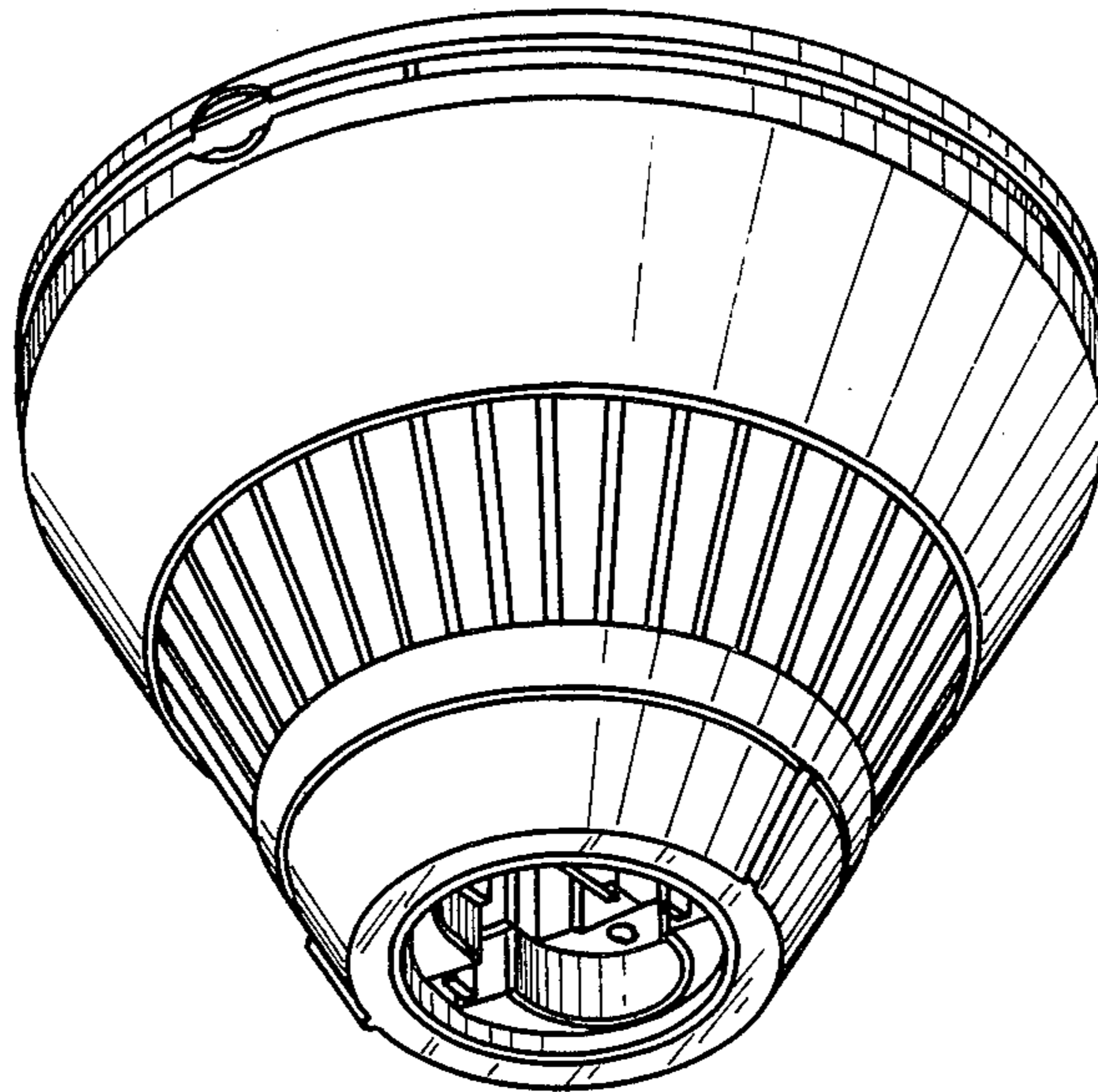
*Primary Examiner*—Susan J. Lucas  
*Attorney, Agent, or Firm*—Robert T. Mayer

[57] **CLAIM**

The ornamental design for a base for a fluorescent light fixture, as shown.

**DESCRIPTION**

FIG. 1 is a bottom, front perspective view of a base for a fluorescent light fixture showing my new design;  
FIG. 2 is a front elevational view thereof;  
FIG. 3 is a rear elevational view thereof;  
FIG. 4 is a left side elevational view thereof;  
FIG. 5 is a right side elevational view thereof;  
FIG. 6 is a bottom plan view thereof;  
FIG. 7 is a top plan view thereof.



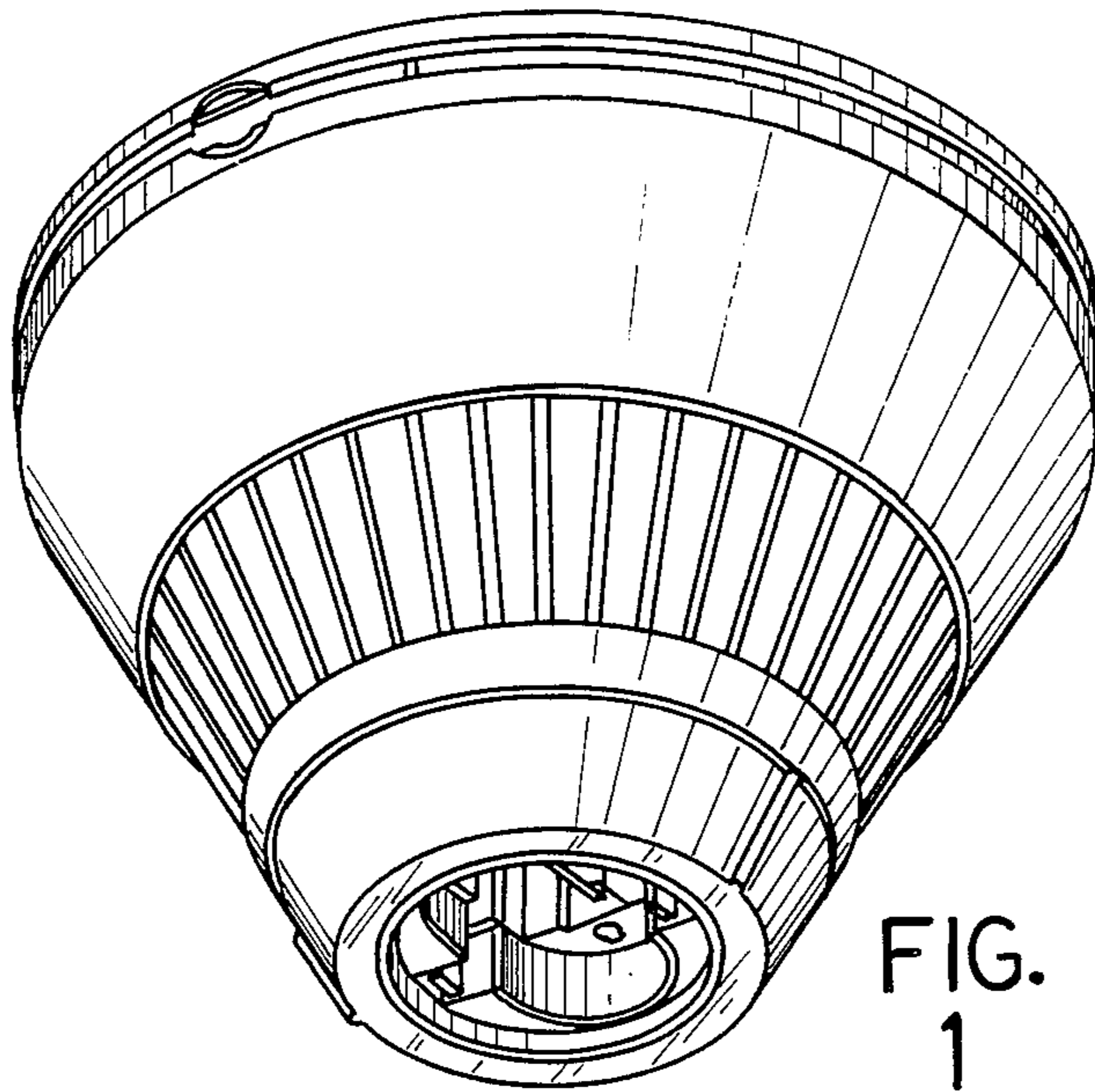


FIG.  
1

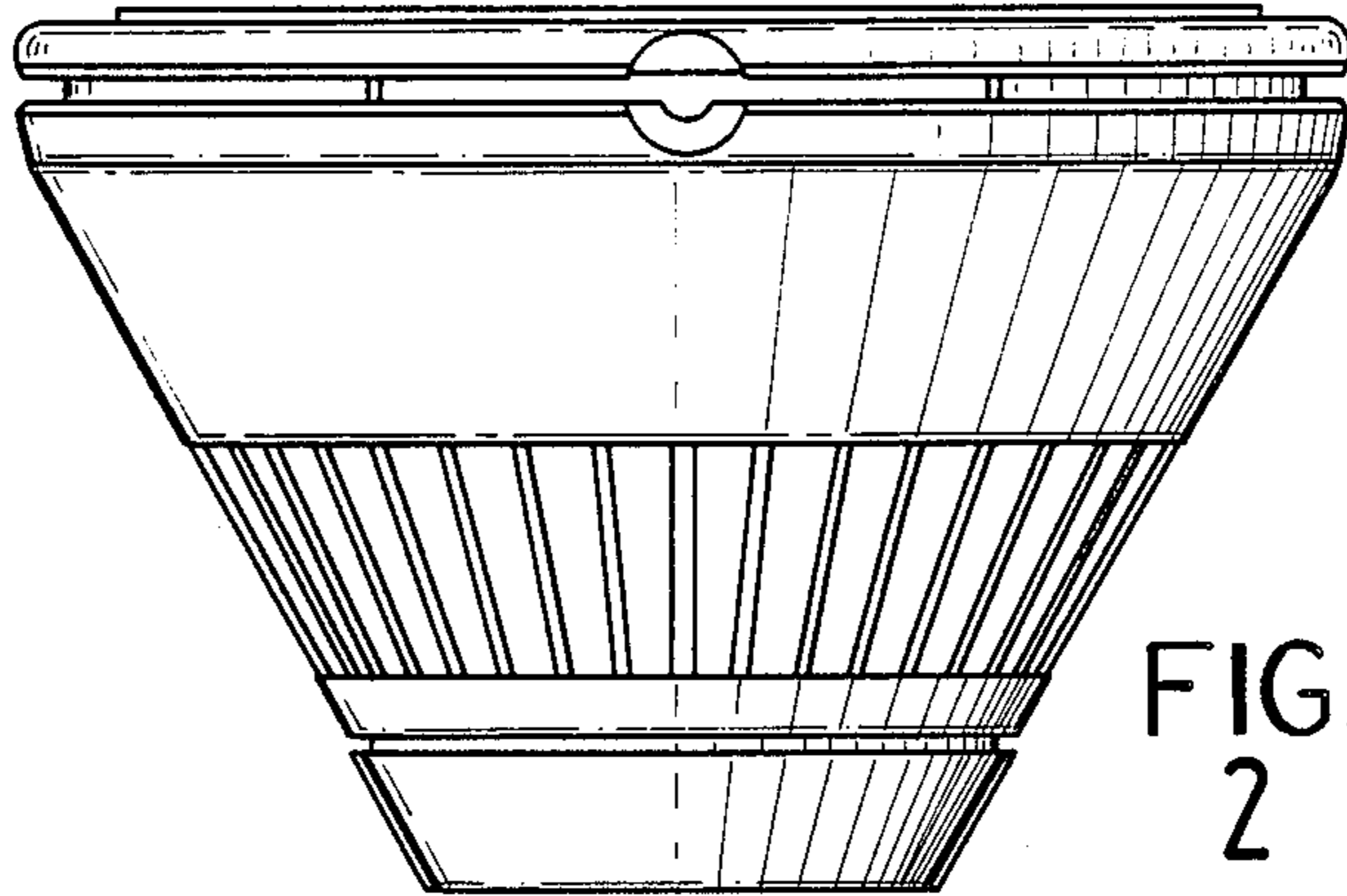


FIG.  
2

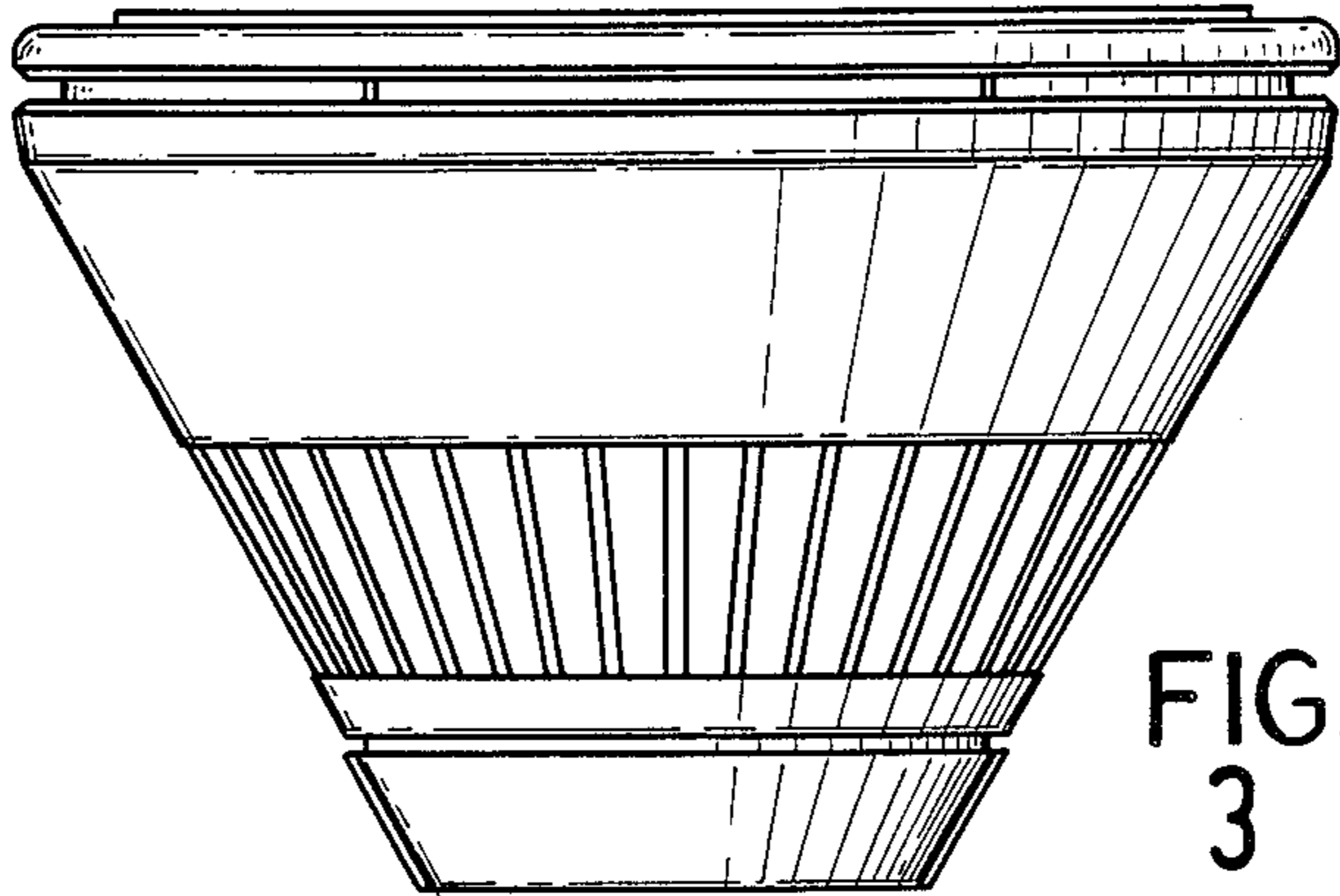


FIG.  
3

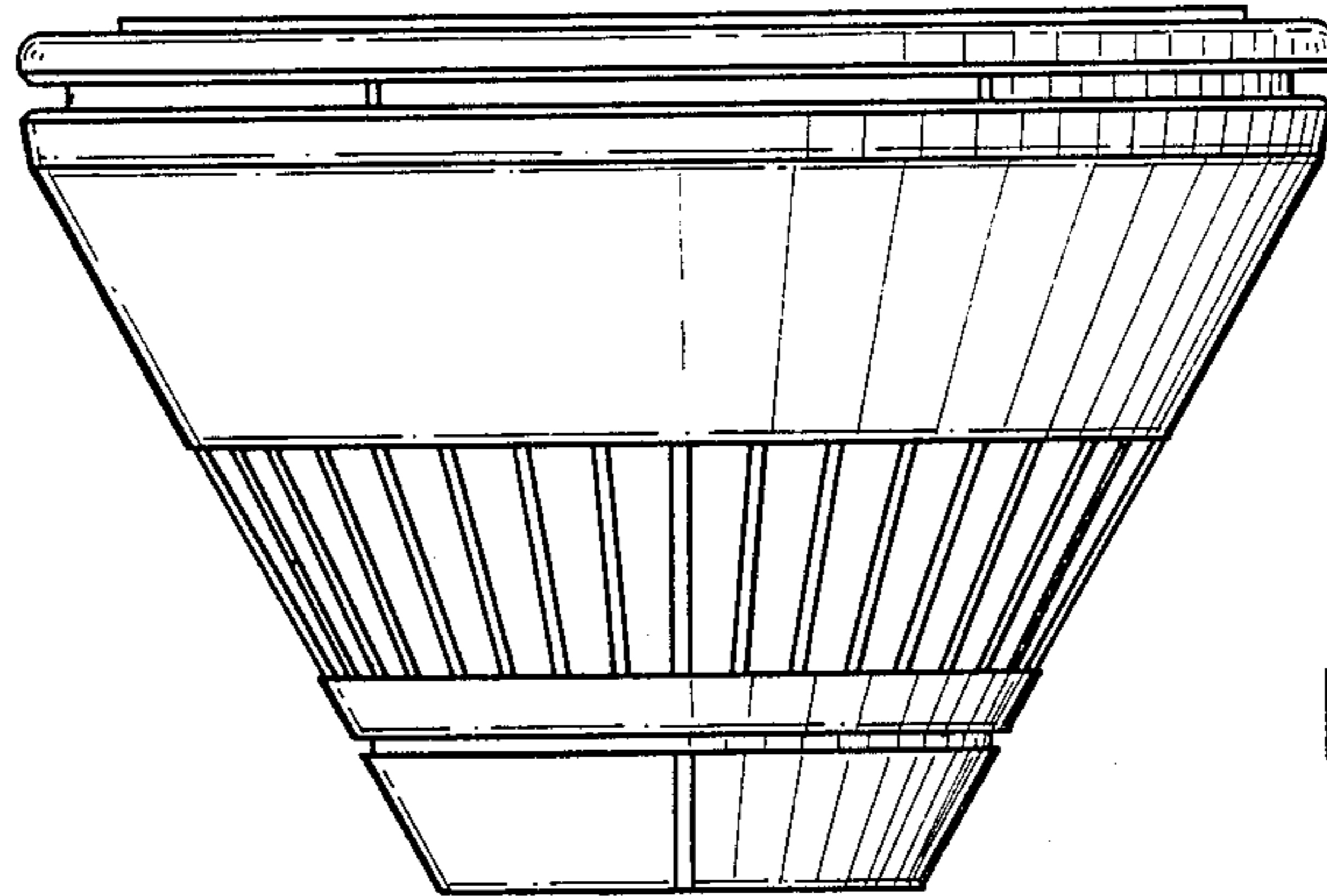


FIG.  
4

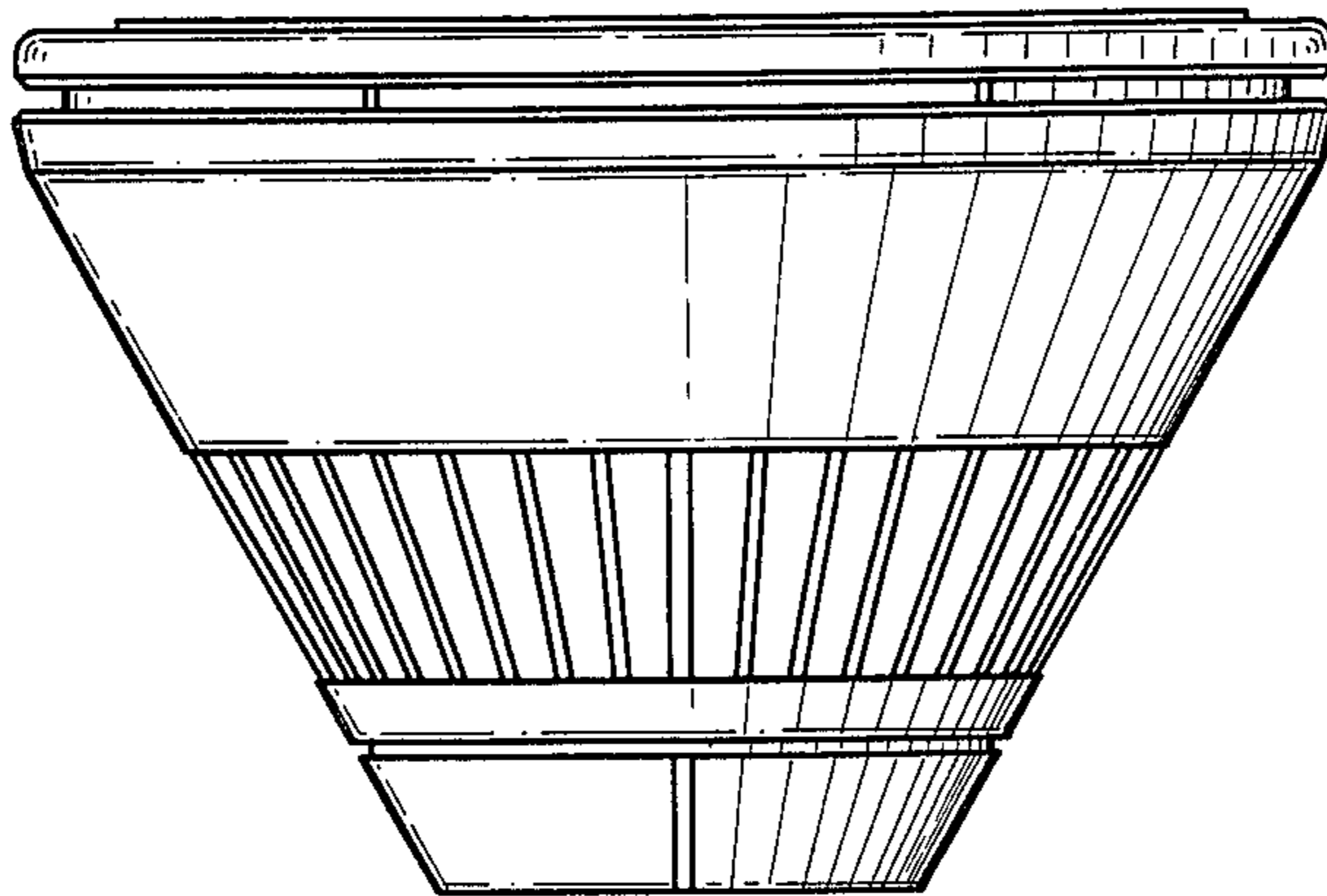


FIG.  
5

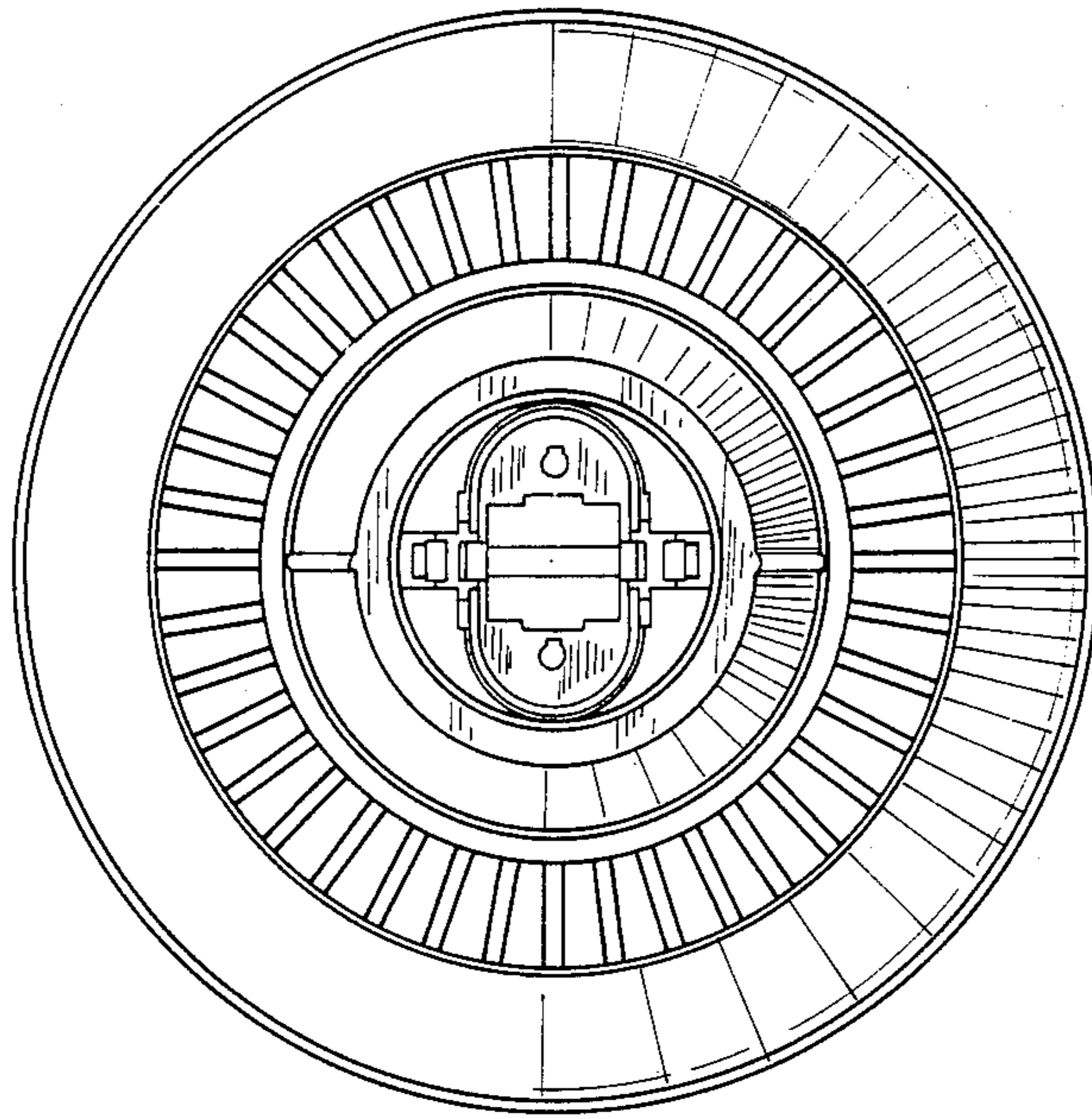


FIG.  
6

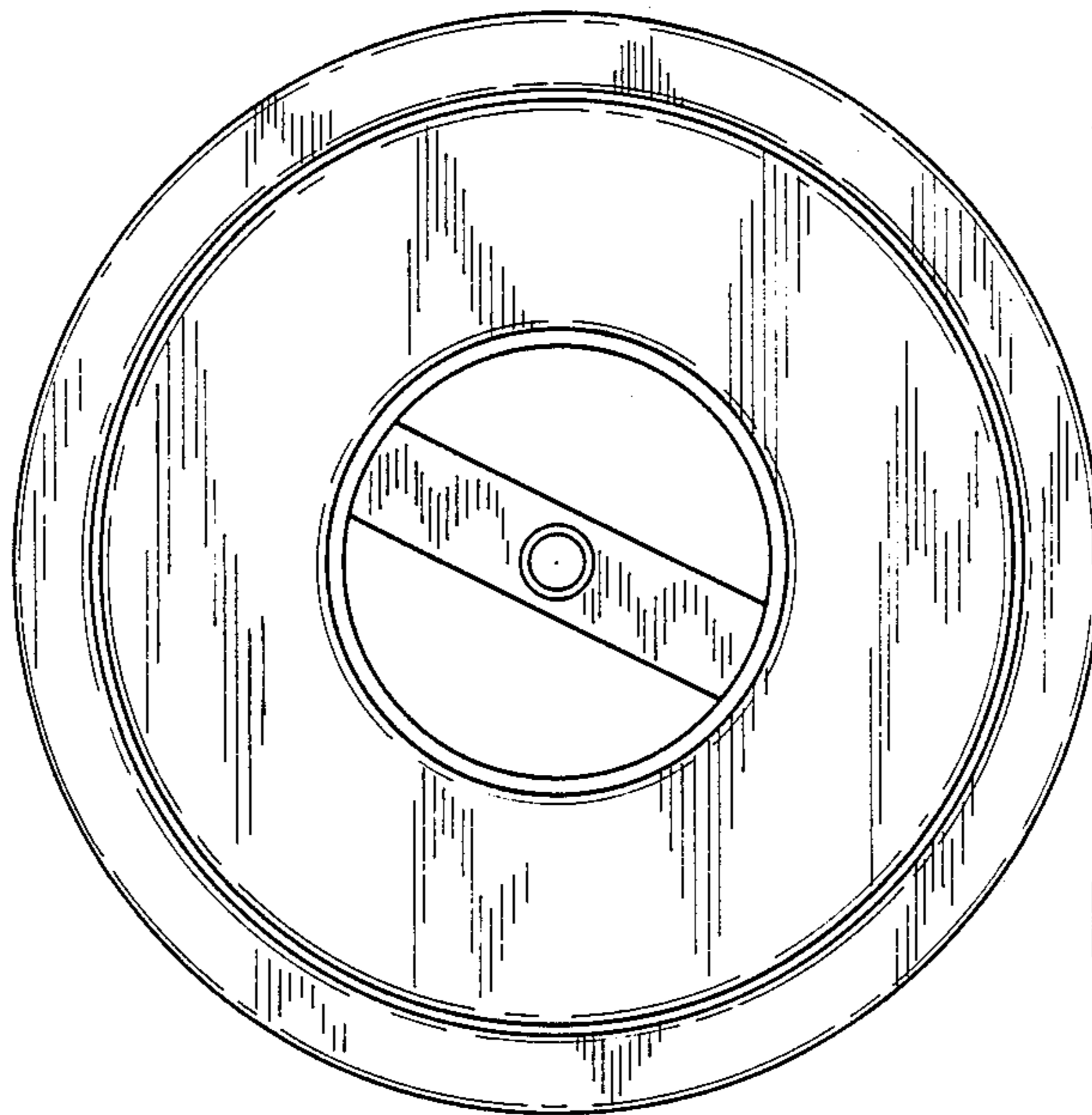


FIG.  
7