

[54] WATERPROOF FLUORESCENT LANTERN

D. 285,354 8/1986 Yuen D26/41

[75] Inventor: John S. Yuen, Kwun Tong, Hong Kong

FOREIGN PATENT DOCUMENTS

1104841 2/1968 United Kingdom 362/190
2090396 7/1982 United Kingdom 362/184

[73] Assignee: John Manufacturing Limited, Kowloon, Hong Kong

Primary Examiner—Susan J. Lucas
Attorney, Agent, or Firm—Fay, Sharpe, Beall, Fagan,
Minnich & McKee

[**] Term: 14 Years

[21] Appl. No.: 914,597

[57] CLAIM

[22] Filed: Oct. 1, 1986

The ornamental design for a waterproof fluorescent lantern, as shown and described.

[30] Foreign Application Priority Data

Apr. 1, 1986 [GB] United Kingdom 1 033 147

DESCRIPTION

[52] U.S. Cl. D26/42

[58] Field of Search D26/37-50;
362/157, 158, 183-191, 194-208

FIG. 1 is a front elevational view of a waterproof fluorescent lantern showing my new design;
FIG. 2 is a rear elevational view thereof;
FIG. 3 is a left side elevational view, the right side being a mirror image thereof;
FIG. 4 is a top plan view thereof;
FIG. 5 is a bottom plan view thereof with the bail in an alternate position.

[56] References Cited

U.S. PATENT DOCUMENTS

D. 232,185 7/1974 Rhoades et al. D26/41
D. 281,819 12/1985 Schosser et al. D26/40

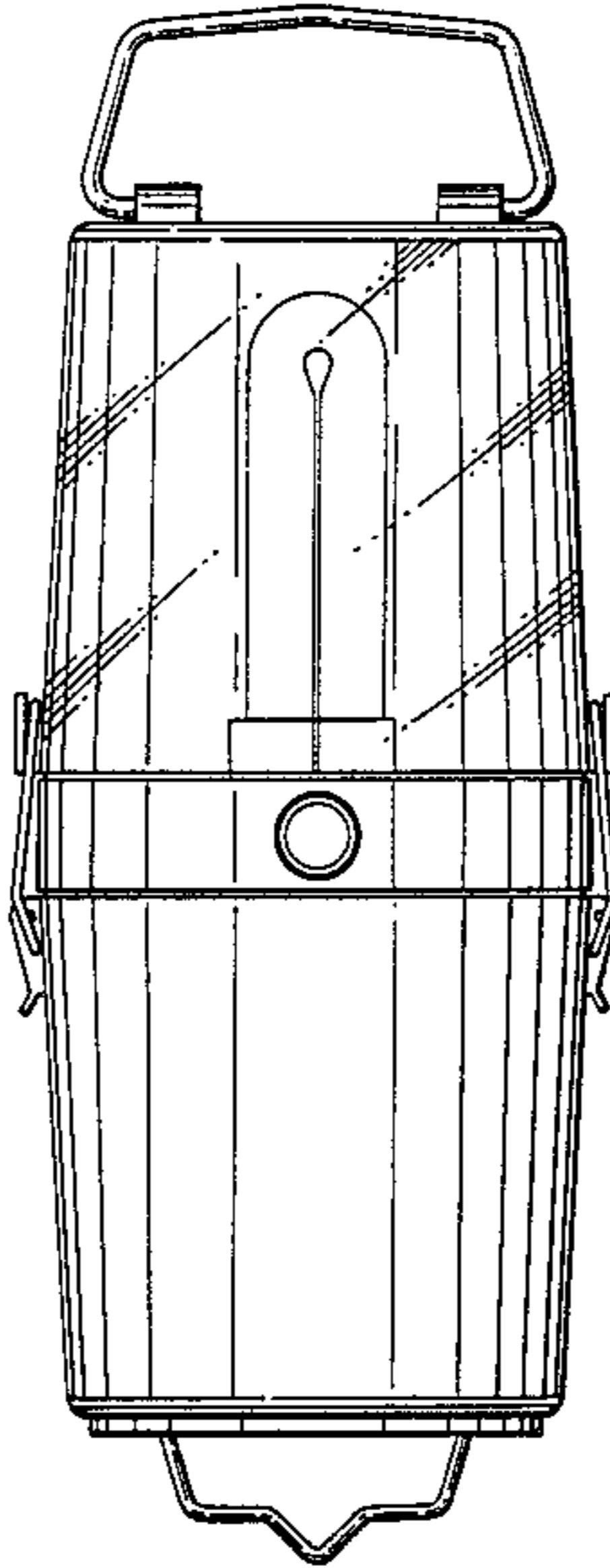


FIG. 1.

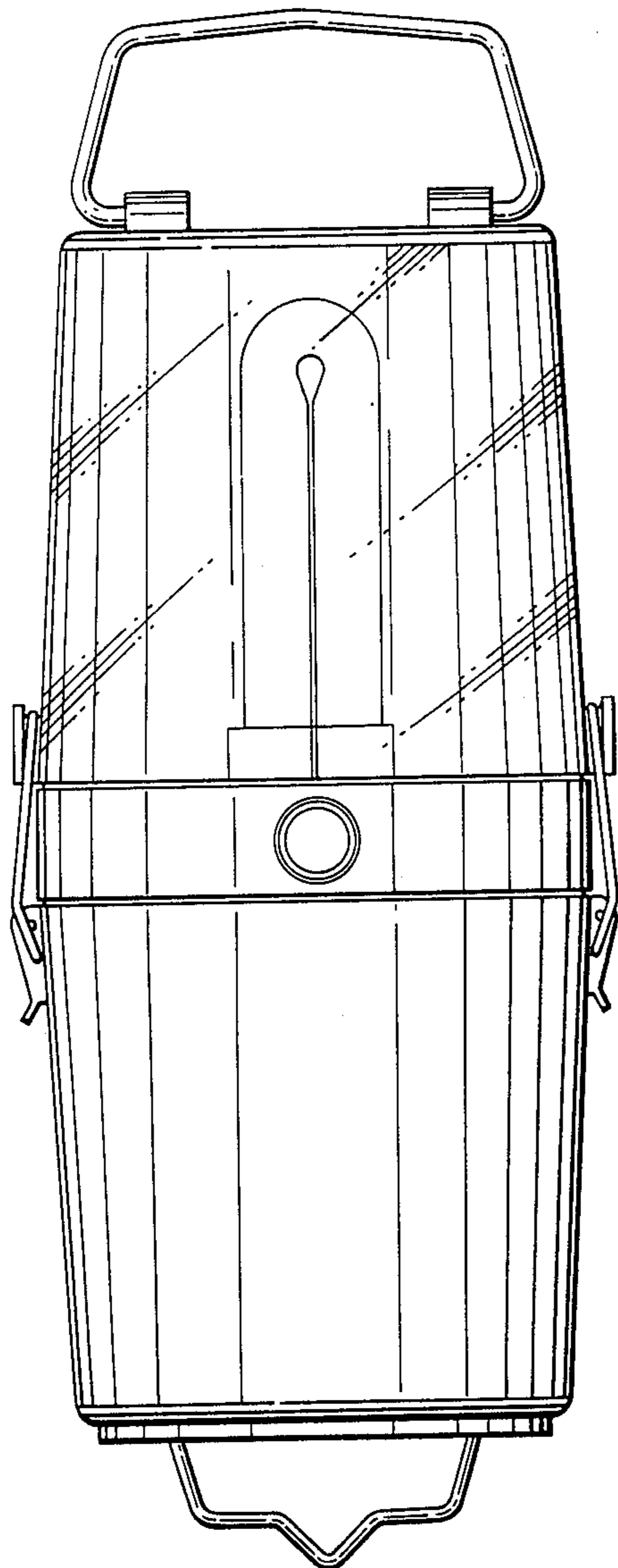


FIG. 2.

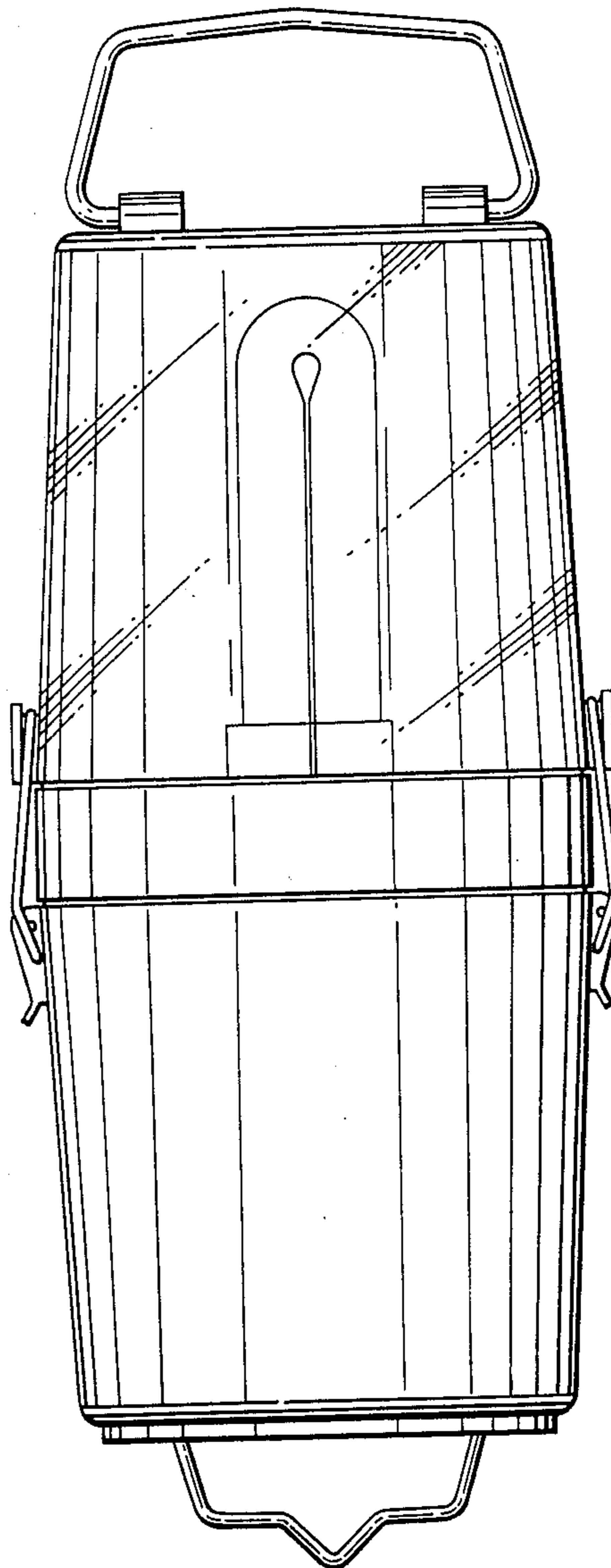


FIG. 3.

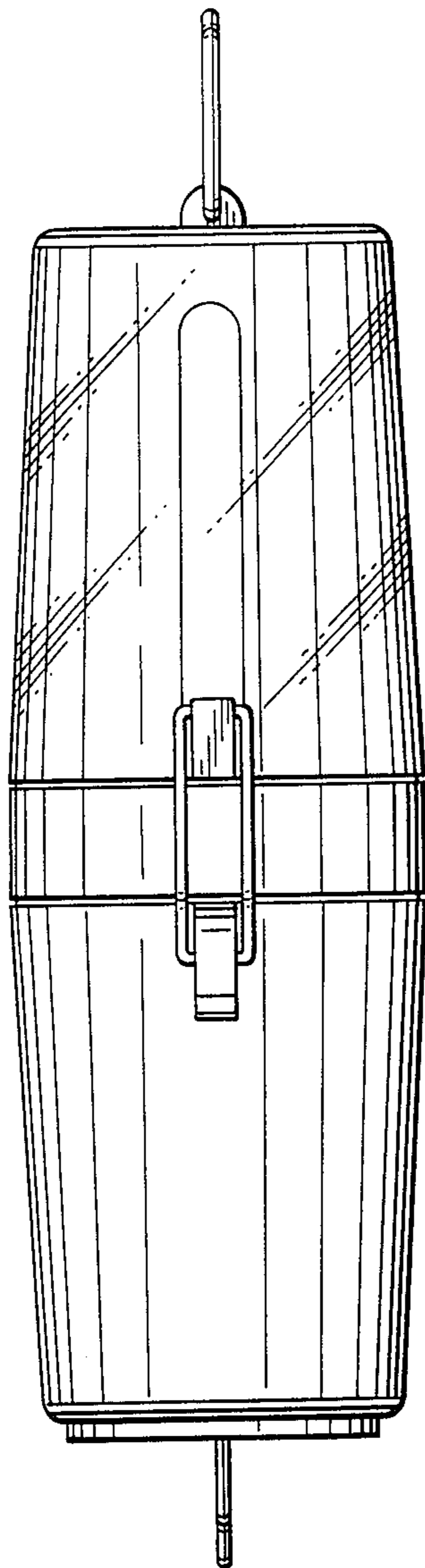


FIG. 4.

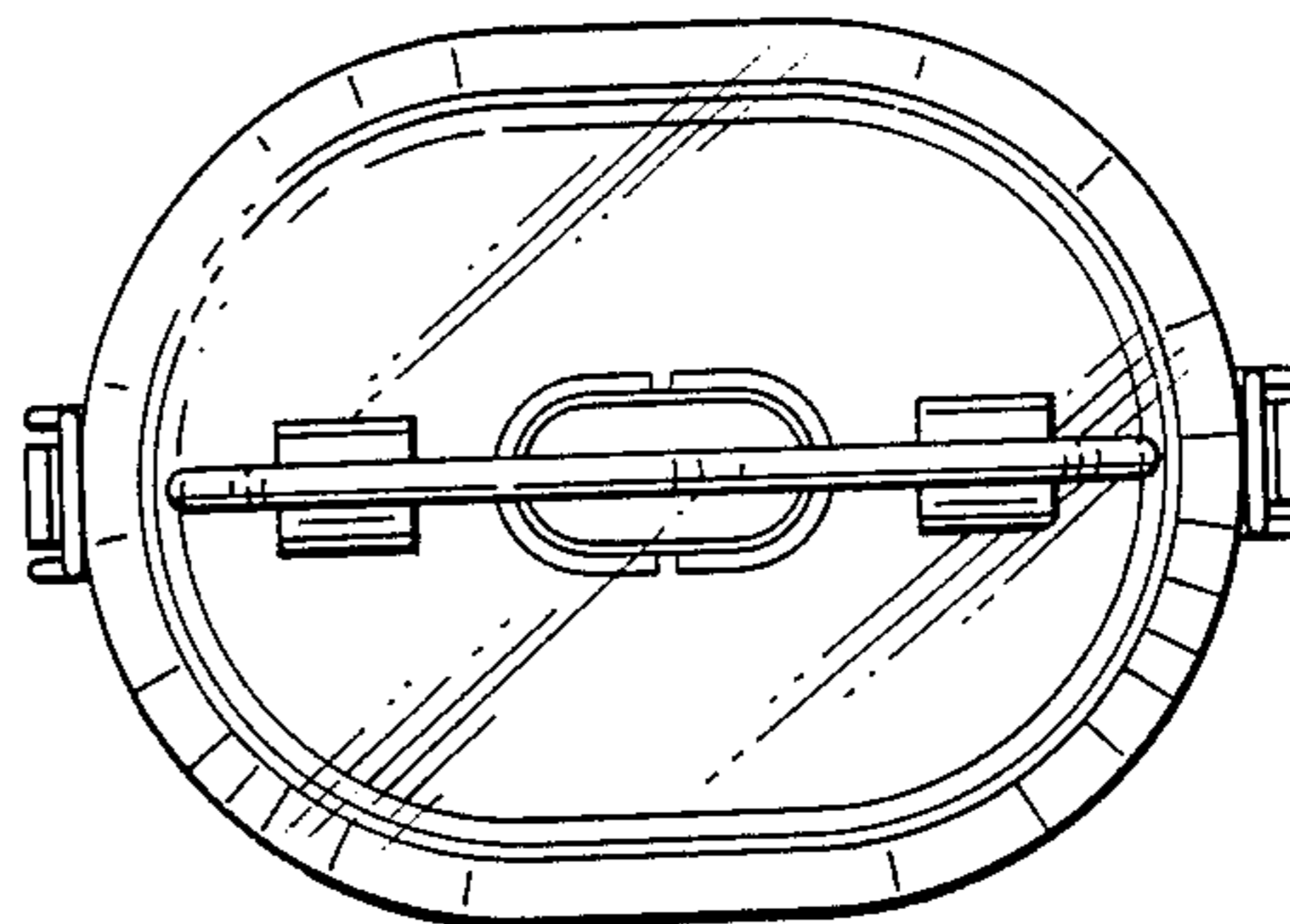


FIG. 5.

