

[54] TABLE FOR MASSAGING AND CHIROPRACTIC THERAPY

4,230,100 10/1980 Moon .  
4,378,791 4/1983 Sarrell .  
4,586,493 5/1986 Goodman ..... 128/33 X

[75] Inventors: Teruo Masuda, Tokyo; Kazuyuki Yamaguchi, Sayama; Kazuhiko Ito, Urawa, all of Japan

FOREIGN PATENT DOCUMENTS

588363 5/1980 Japan .

[73] Assignee: France Bed Co., Ltd., Tokyo, Japan

Primary Examiner—Wallace R. Burke  
Assistant Examiner—Stella M. Reid  
Attorney, Agent, or Firm—Frishauf, Holtz, Goodman & Woodward

[\*\*] Term: 14 Years

[21] Appl. No.: 805,273

[22] Filed: Dec. 5, 1985

[57] CLAIM

[30] Foreign Application Priority Data

The ornamental design for a table for massaging and chiropractic therapy, substantially as shown.

Jul. 31, 1985 [JP] Japan ..... 60-32769

[52] U.S. Cl. .... D24/36; D24/3

DESCRIPTION

[58] Field of Search ..... D24/3, 36, 40; 128/71-74, 33

FIG. 1 is a front, top and left side perspective view of a table for massaging and chiropractic therapy showing our new design;

[56] References Cited

U.S. PATENT DOCUMENTS

- D. 202,541 10/1965 Borrelli .
- D. 207,081 2/1967 Katzfey et al. .... D24/3
- D. 237,654 11/1975 Agatani ..... D24/36
- D. 248,406 7/1978 Hodge .
- D. 258,986 4/1981 Byrum .
- D. 264,874 6/1982 Augustsson et al. .
- D. 266,023 8/1982 McLachlan .
- D. 273,038 3/1984 Masuda ..... D24/3
- D. 275,322 8/1984 Nakao et al. .... D24/36
- 3,489,142 1/1970 Golay .
- 3,620,210 11/1971 Annas .
- 4,157,088 6/1979 Gracey .

FIG. 2 is a rear, top and right side perspective view thereof;

FIG. 3 is a front elevational view thereof;

FIG. 4 is a top plan view thereof;

FIG. 5 is a left side elevational view thereof;

FIG. 6 is a right side elevational view thereof;

FIG. 7 is a rear elevational view thereof;

FIG. 8 is a bottom plan view thereof;

FIG. 9 is a front, top and left side perspective view of a first modified embodiment of the apparatus shown in FIG. 1; and

FIG. 10 is a rear, top and right side perspective view thereof.

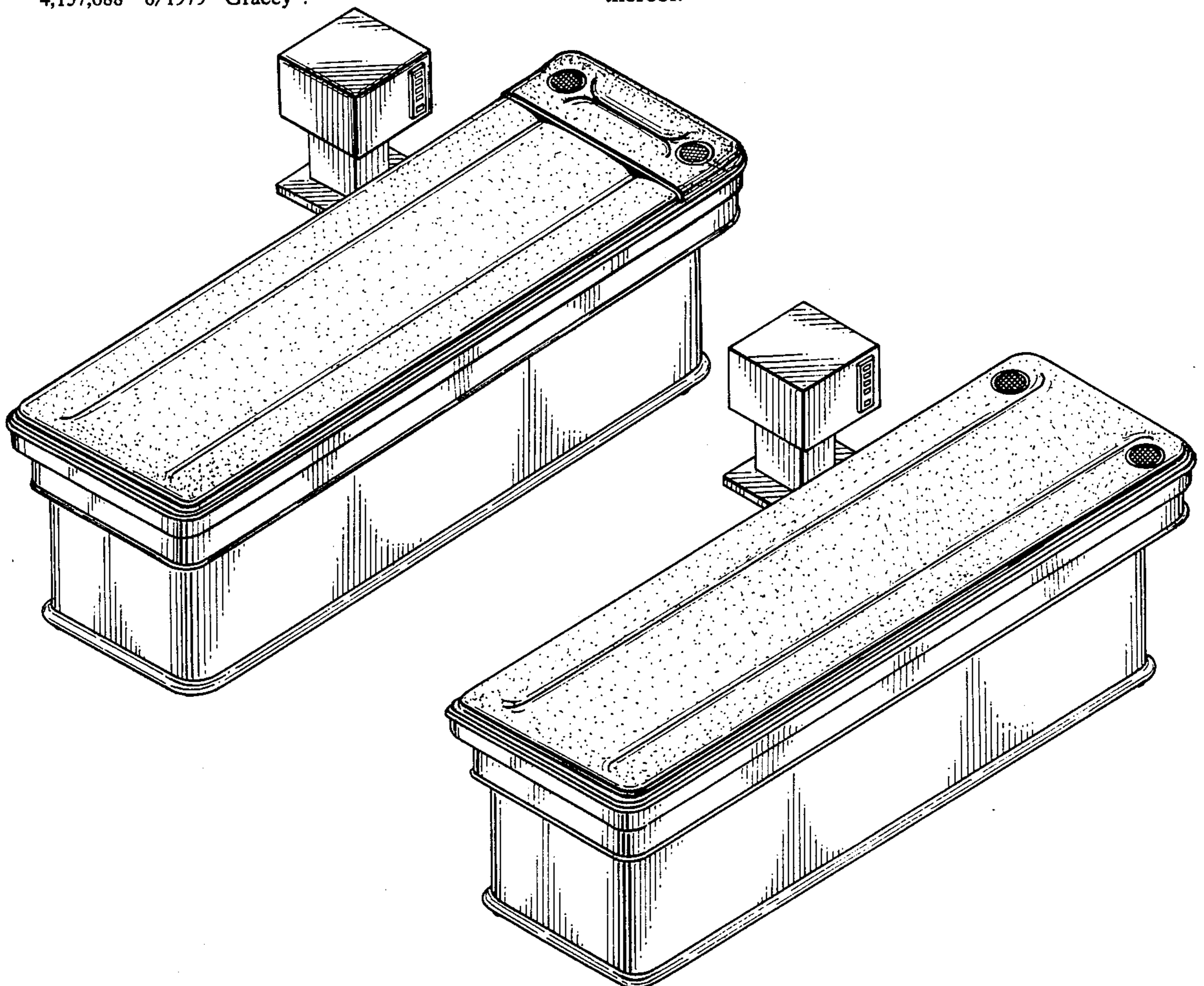


FIG. 1

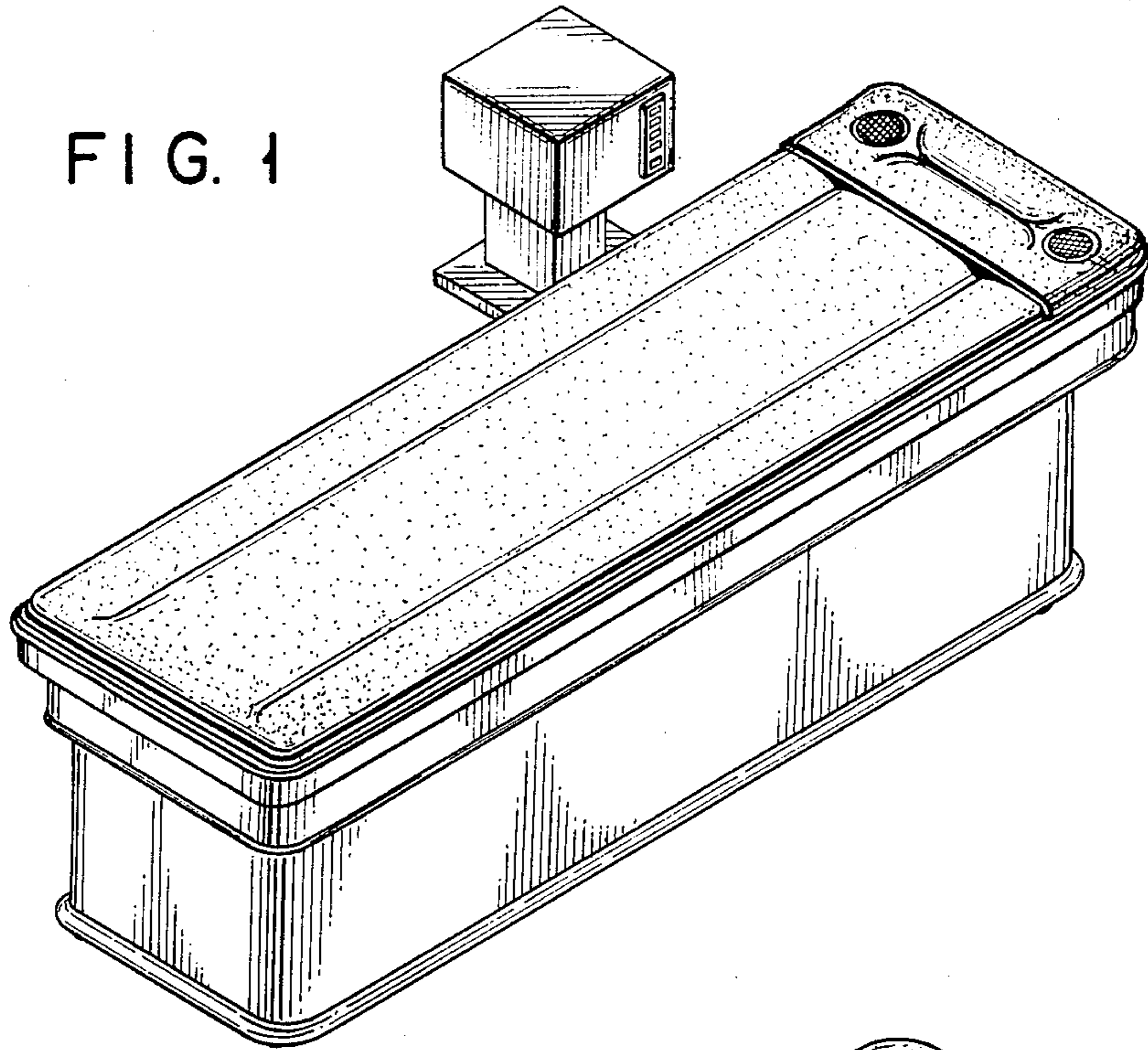


FIG. 2

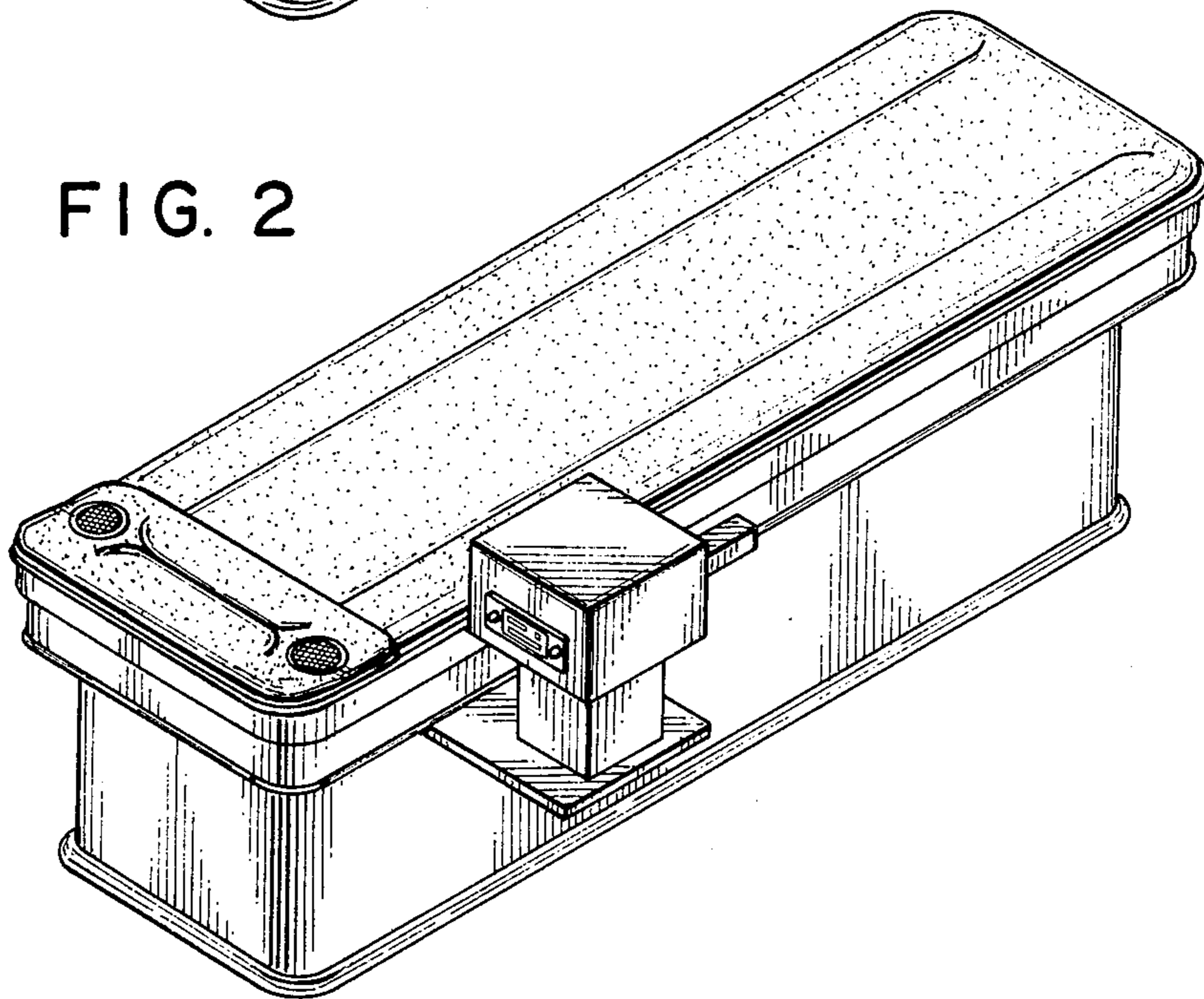


FIG. 3

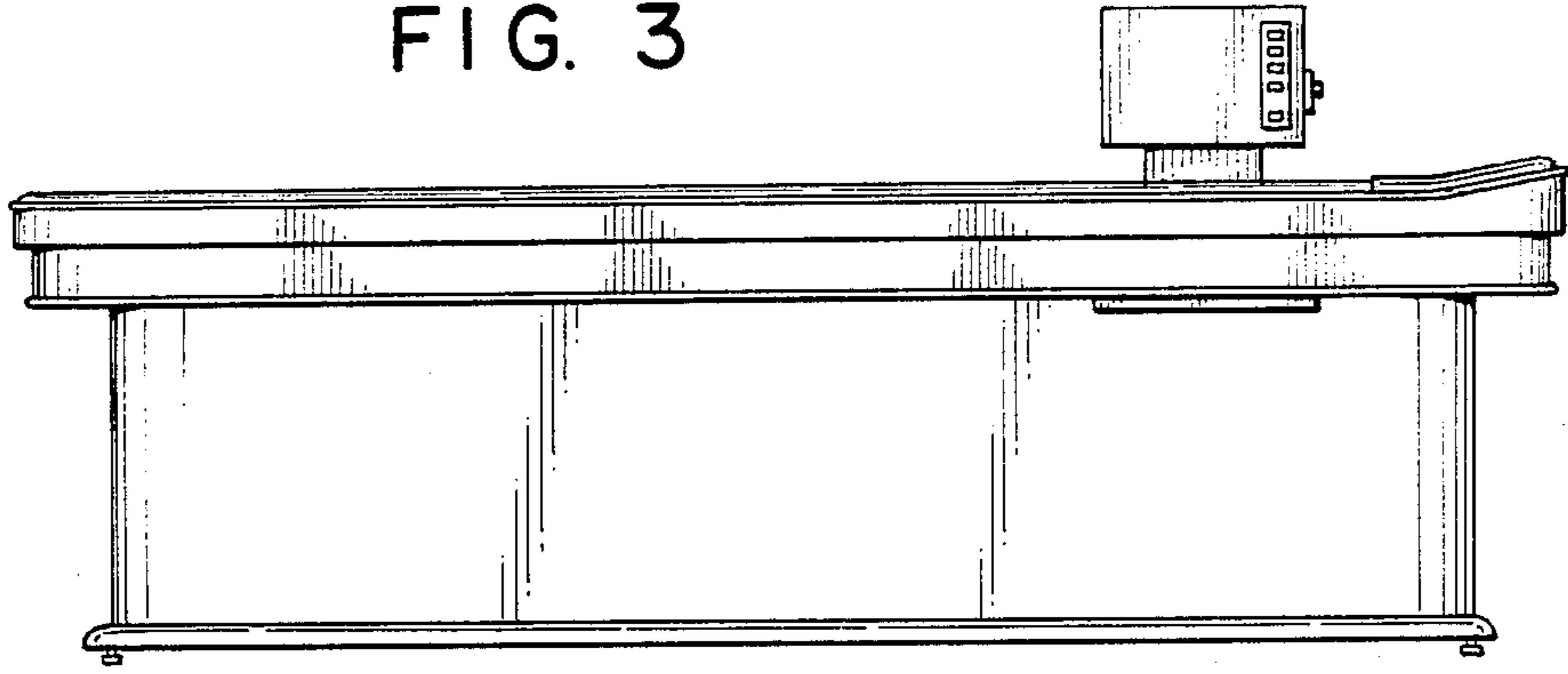


FIG. 4

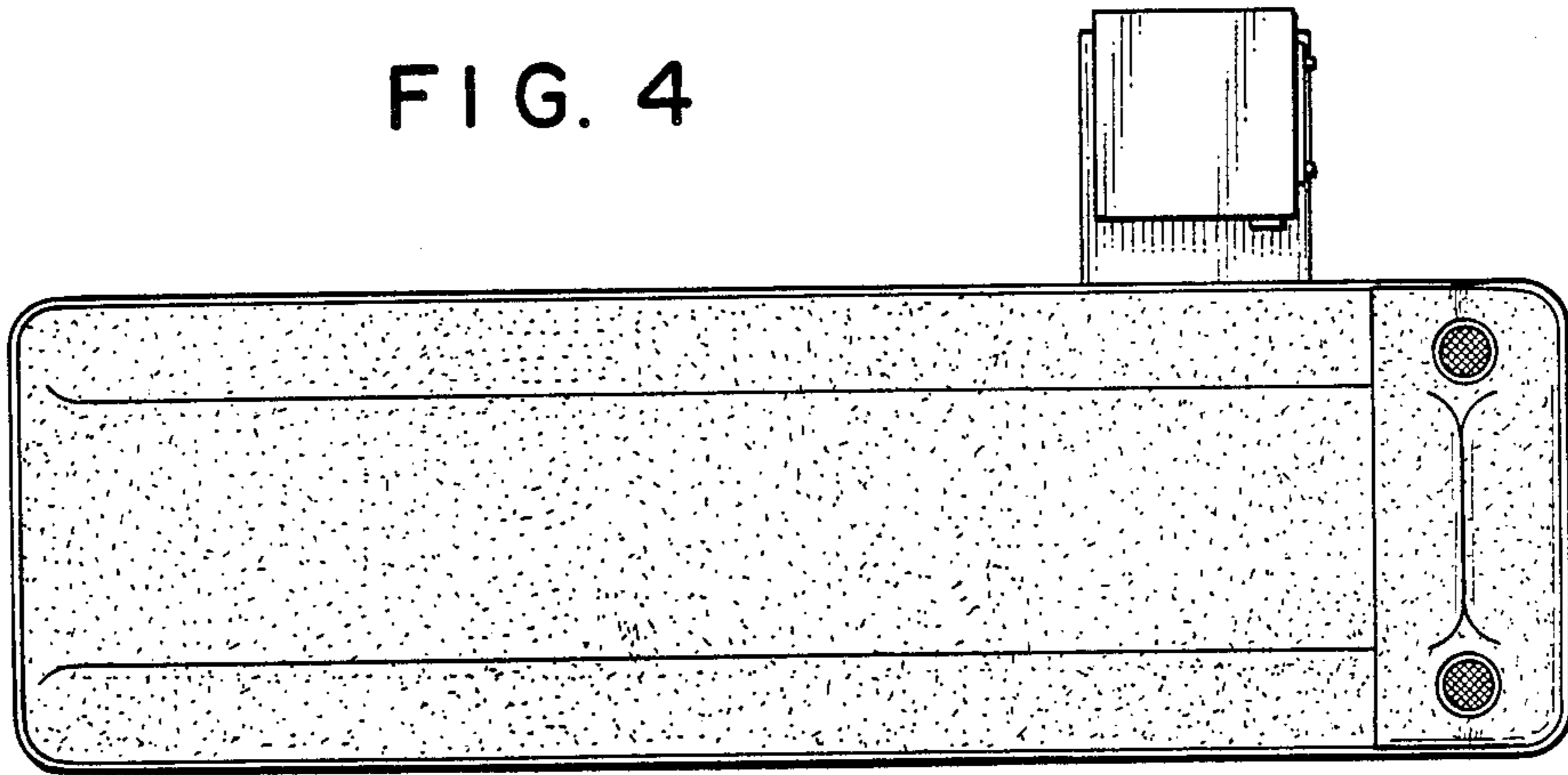


FIG. 5

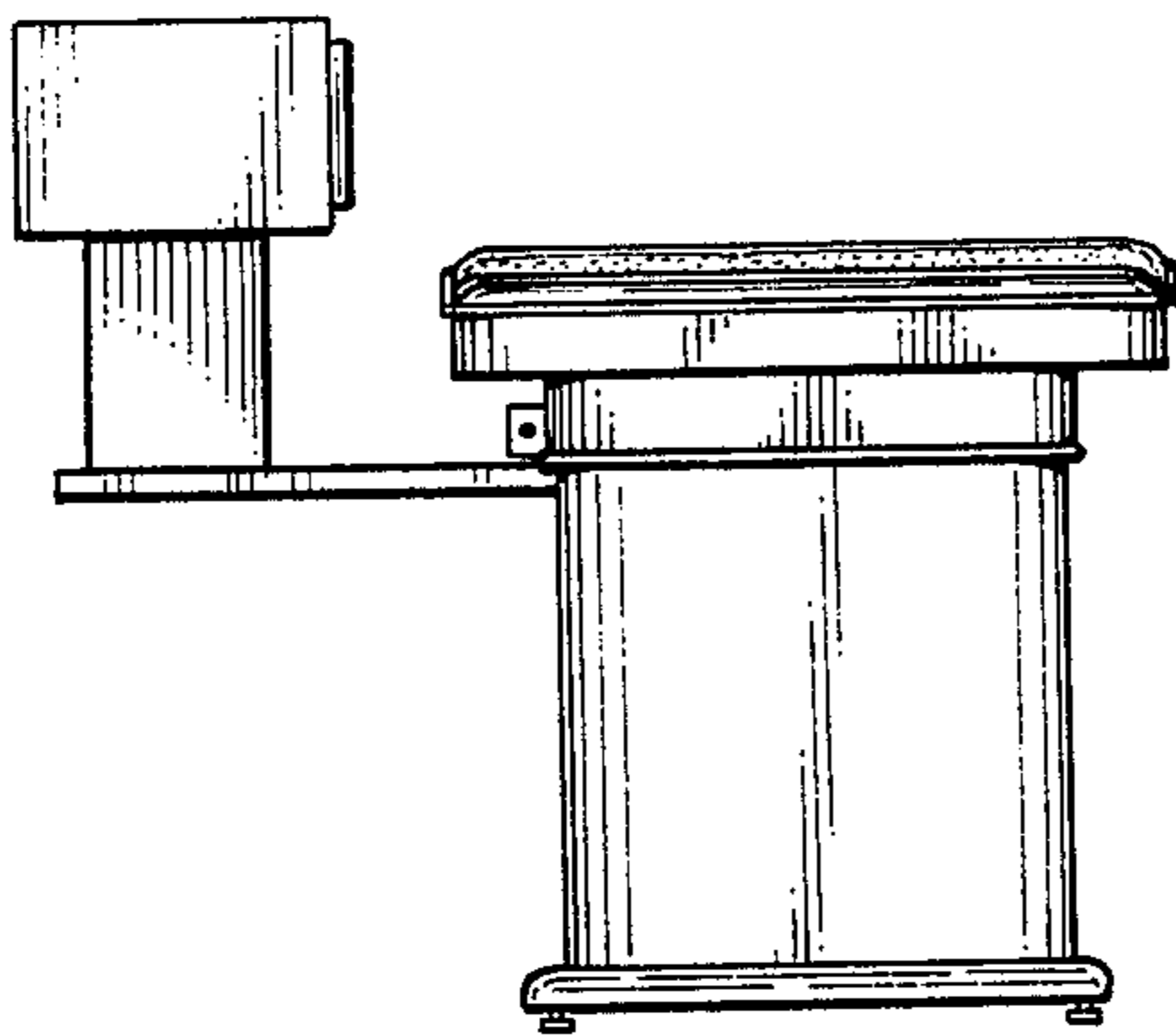


FIG. 6

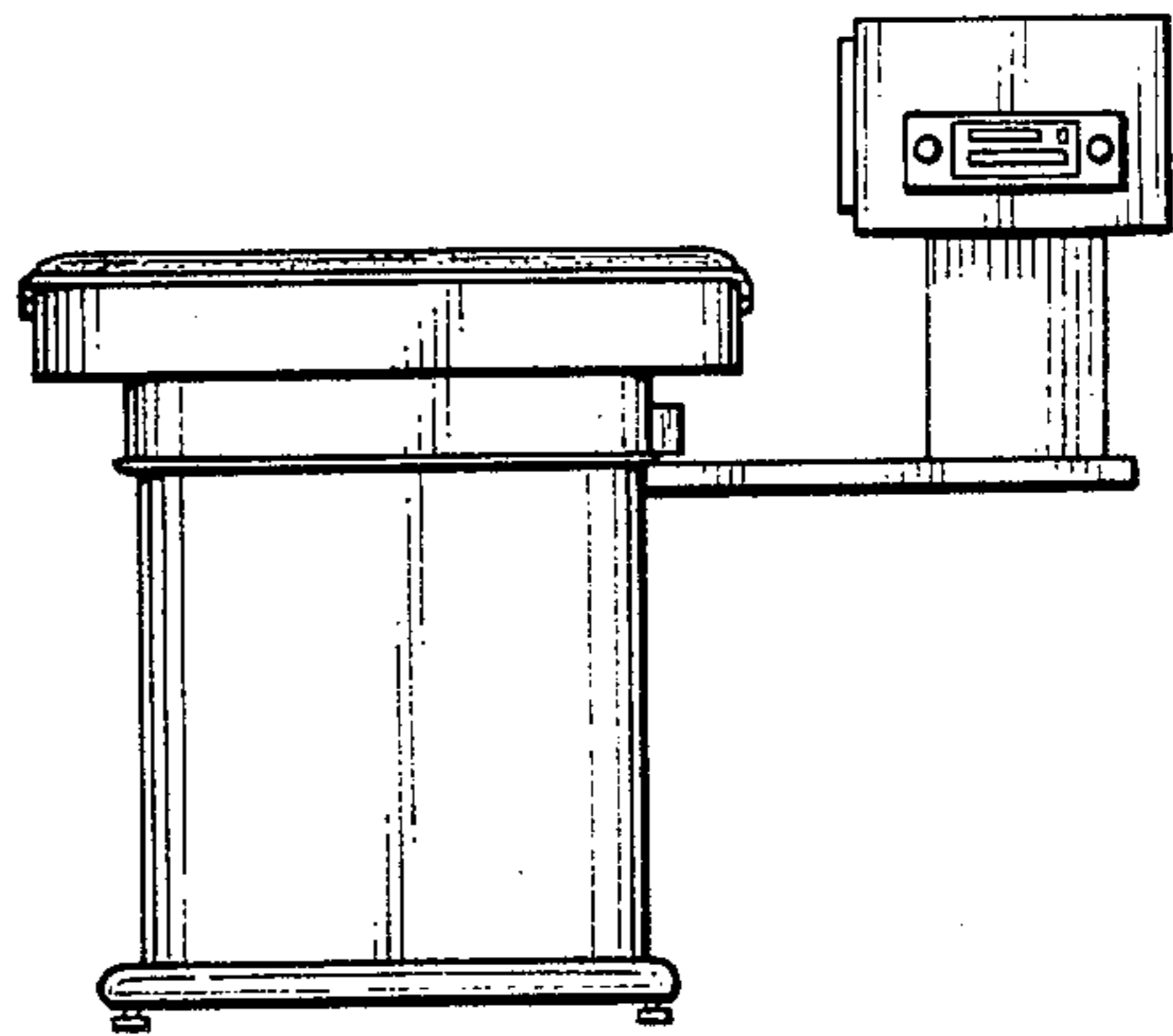


FIG. 7

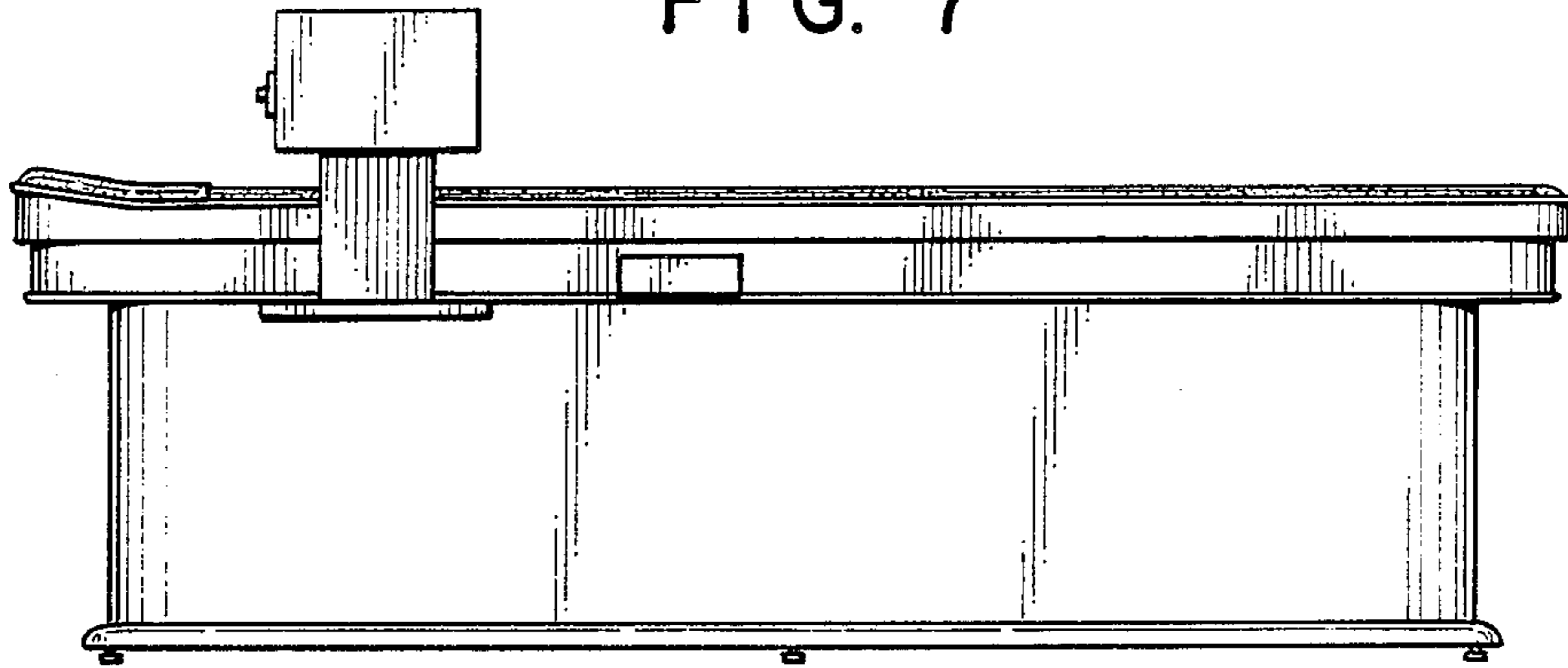


FIG. 8

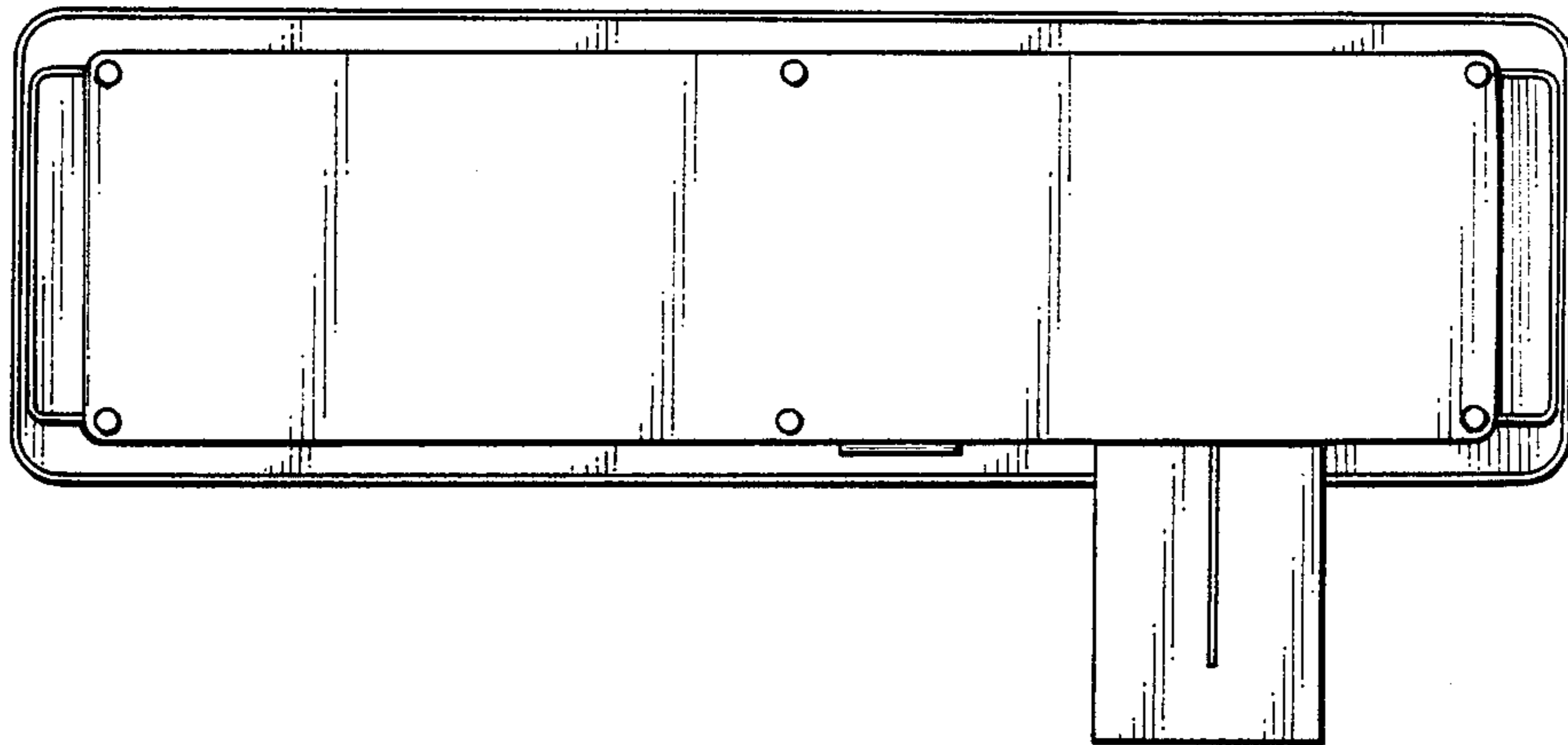


FIG. 9

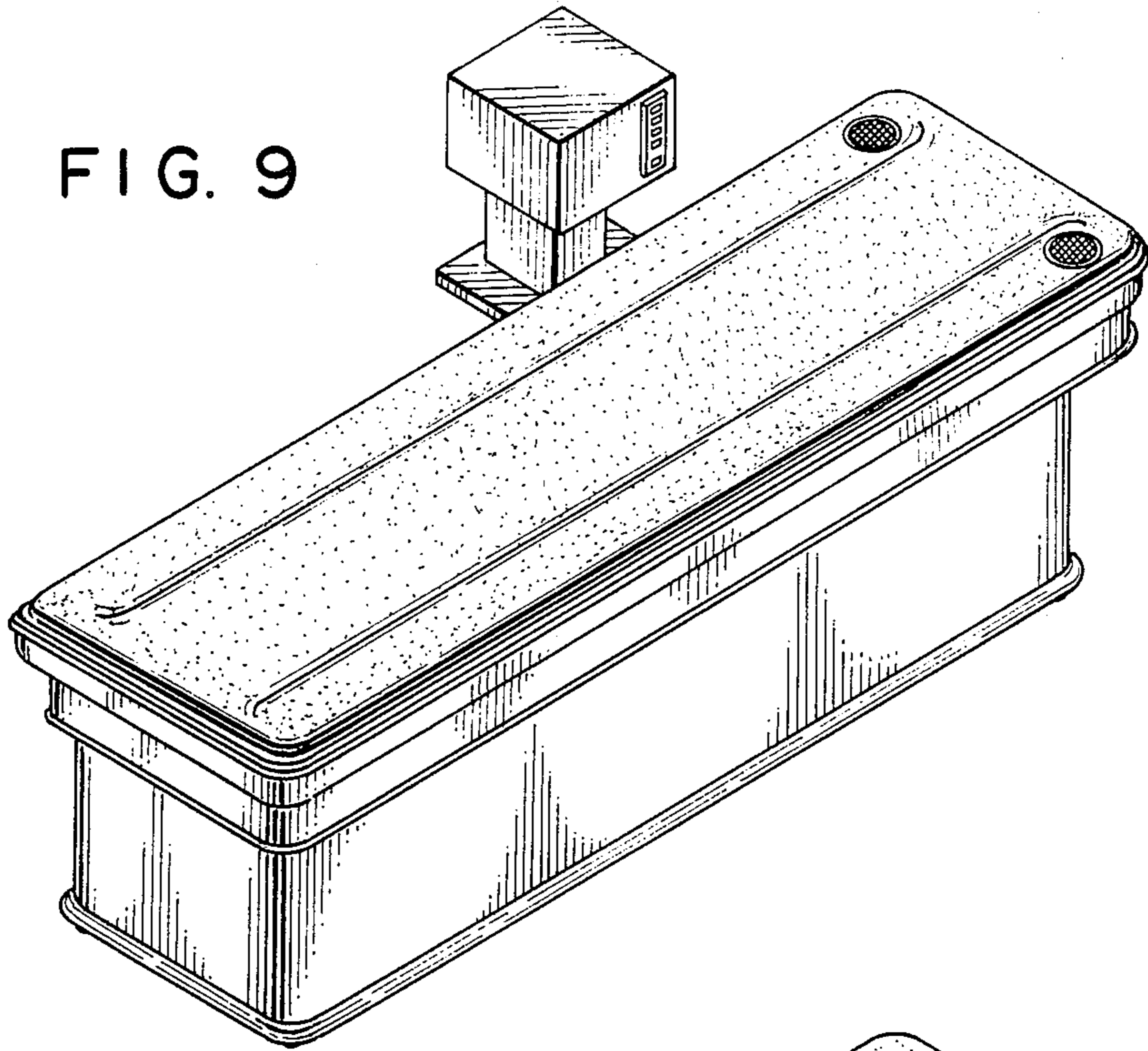


FIG. 10

