

[54] PIPETTE HOLDER

[56]

References Cited

U.S. PATENT DOCUMENTS

[75] Inventors: Kenneth D. Collister; Jerry T. Pugh, both of Elkhart, Ind.

3,494,201 2/1970 Roach 422/100 X
4,037,464 7/1977 Wenander 422/100 X

[73] Assignee: Miles Inc., Elkhart, Ind.

Primary Examiner—Wallace R. Burke
Assistant Examiner—Stella M. Reid
Attorney, Agent, or Firm—Roger N. Coe

[**] Term: 14 Years

[57]

CLAIM

The ornamental design for a pipette holder, as shown and described.

[21] Appl. No.: 844,740

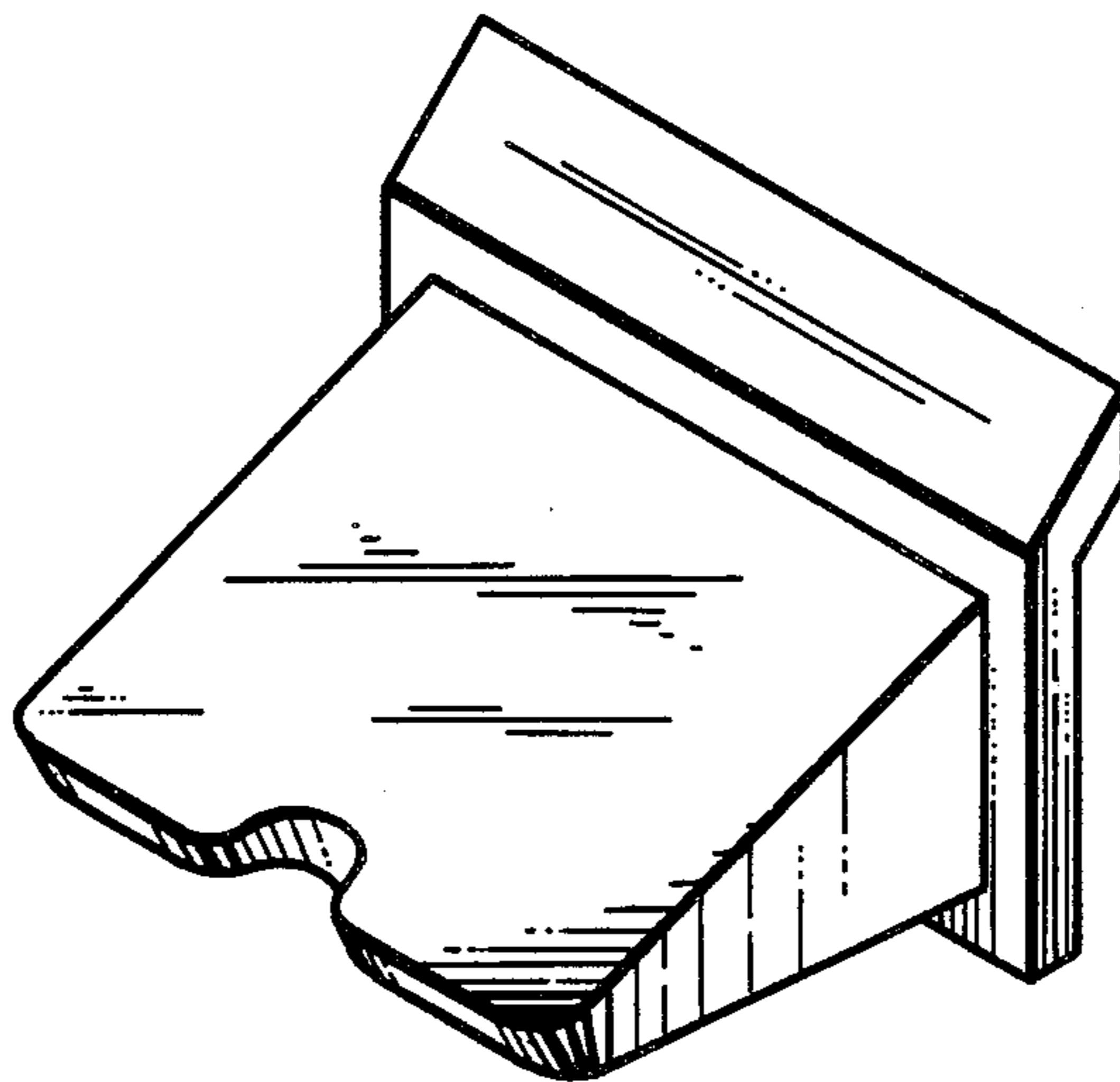
DESCRIPTION

[22] Filed: Mar. 14, 1986

[52] U.S. Cl. D24/29; D24/8; D24/55

[58] Field of Search D24/29, 55; 422/99, 422/100, 65, 67, 63; 73/864.01, 864.21, 864.23; 211/13, 70.6; D27/2; D8/71

FIG. 1 is a top and right front perspective view of a pipette holder showing our new design; FIG. 2 is a top plan view of FIG. 1; FIG. 3 is a bottom plan view of FIG. 1; FIG. 4 is a front elevational view of FIG. 1; FIG. 5 is a rear elevational view of FIG. 1; FIG. 6 is a left side elevational view of FIG. 1; and FIG. 7 is a right side elevational view of FIG. 1.



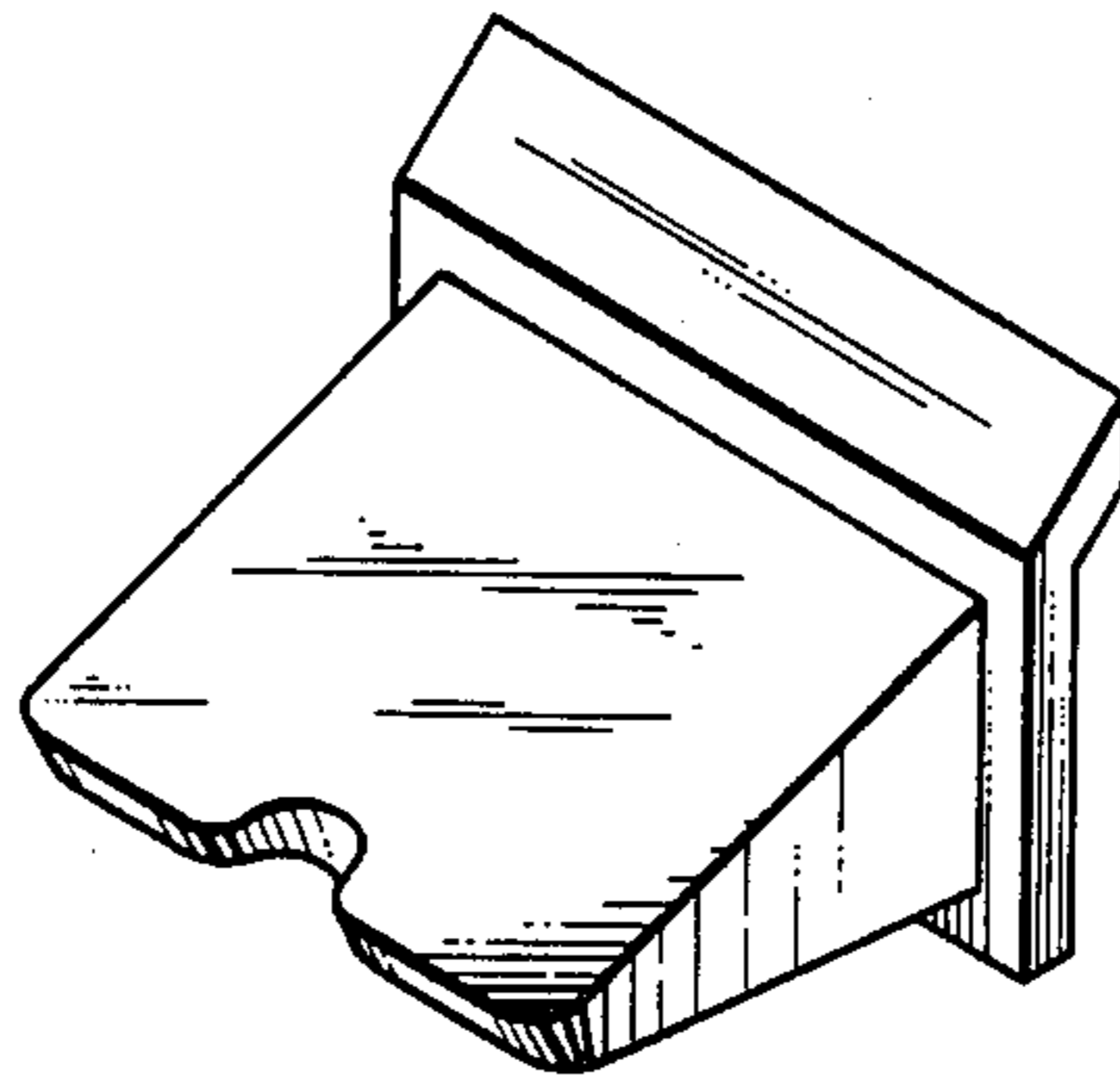


FIG. 1

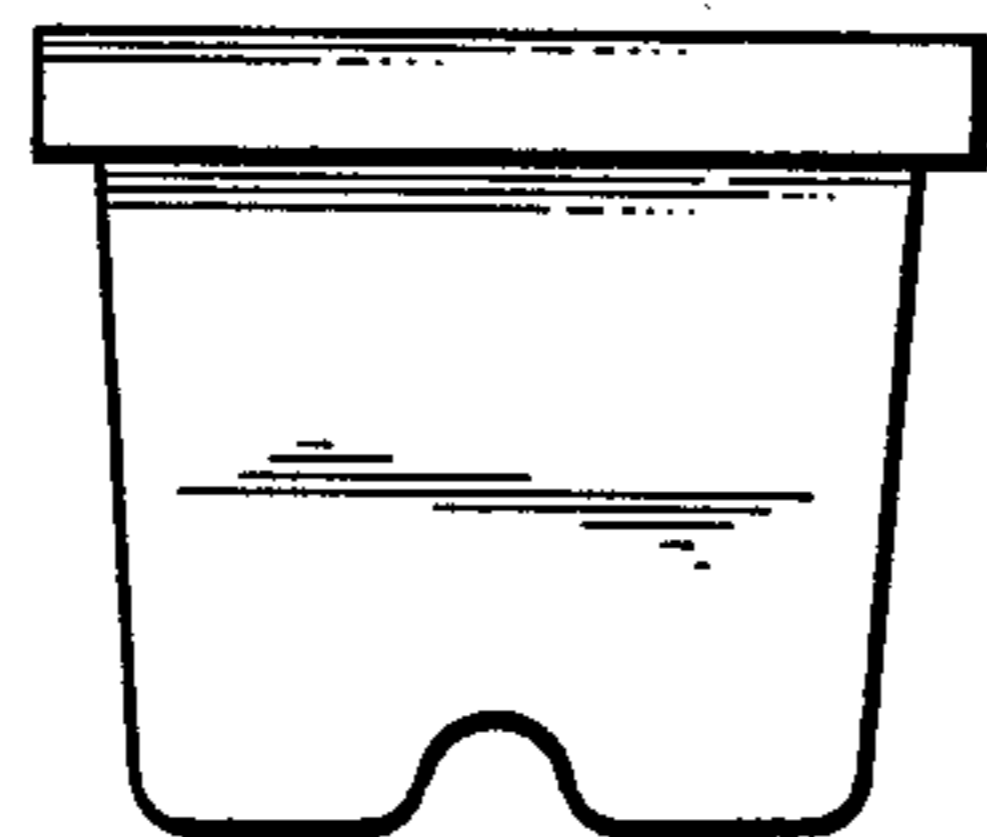


FIG. 2

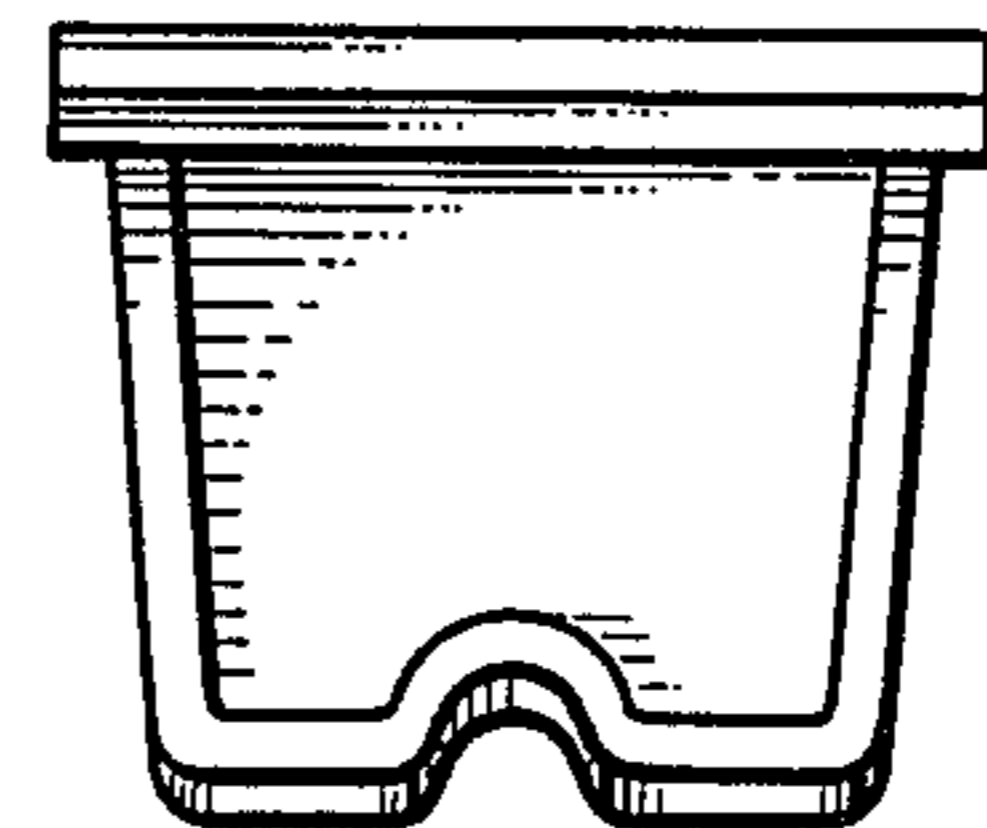


FIG. 3

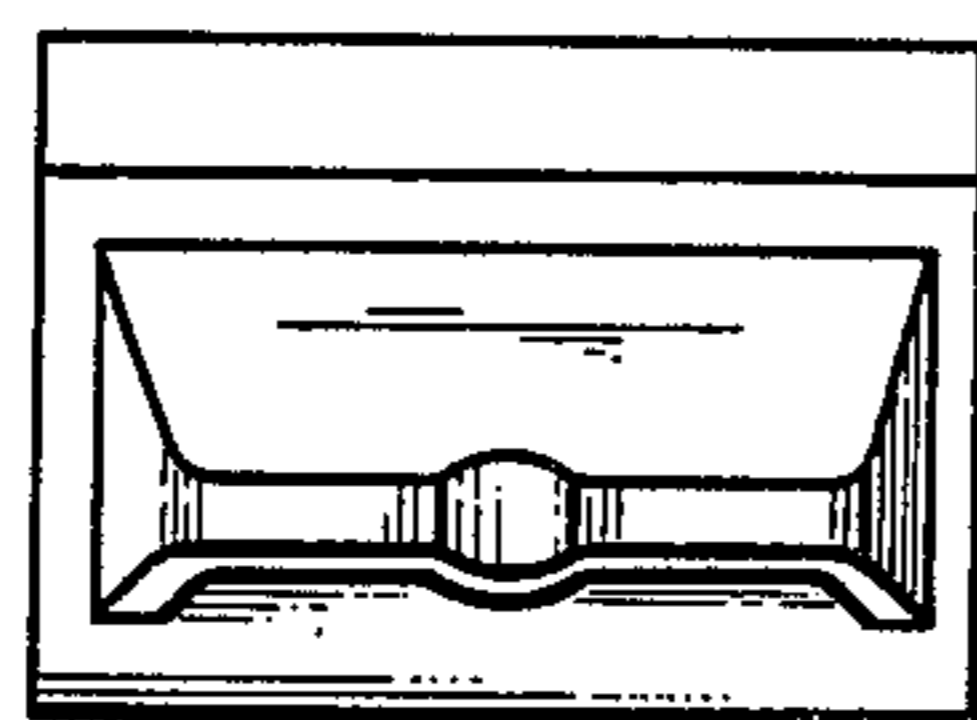


FIG. 4

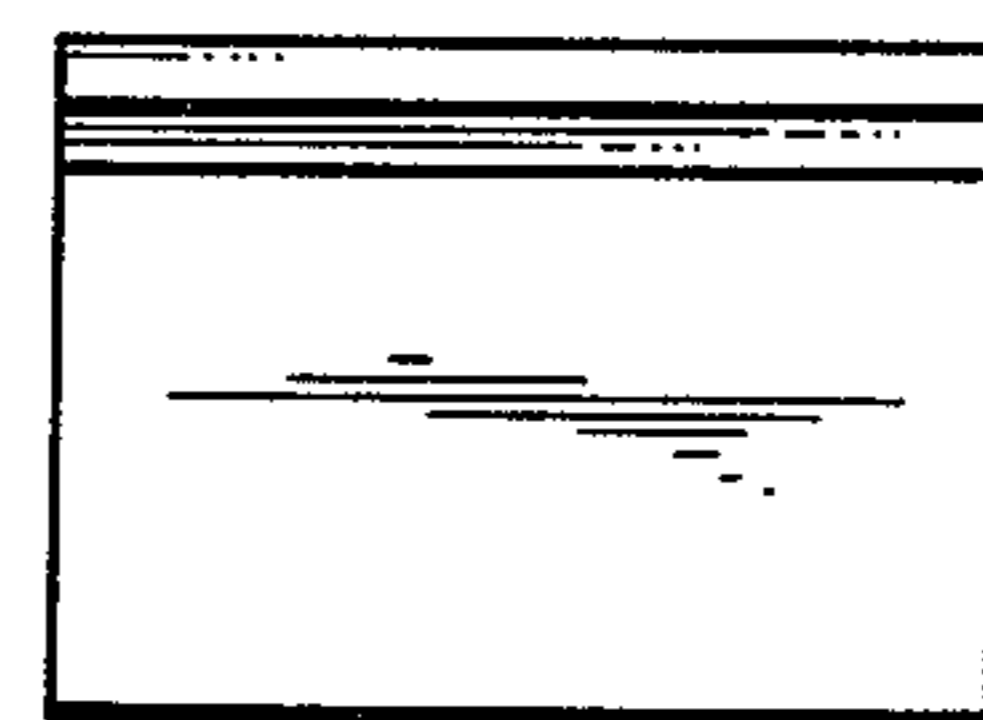


FIG. 5

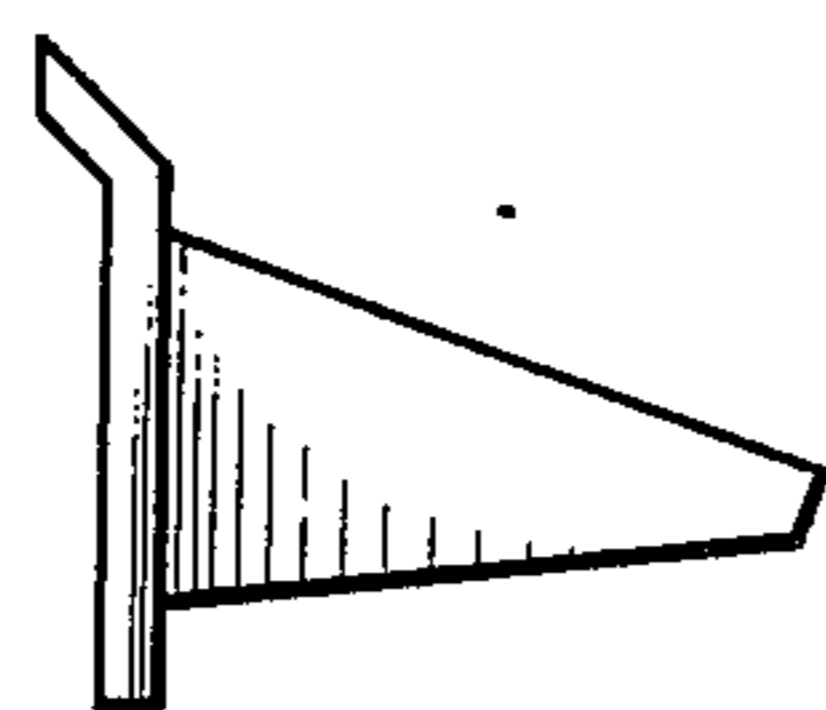


FIG. 6

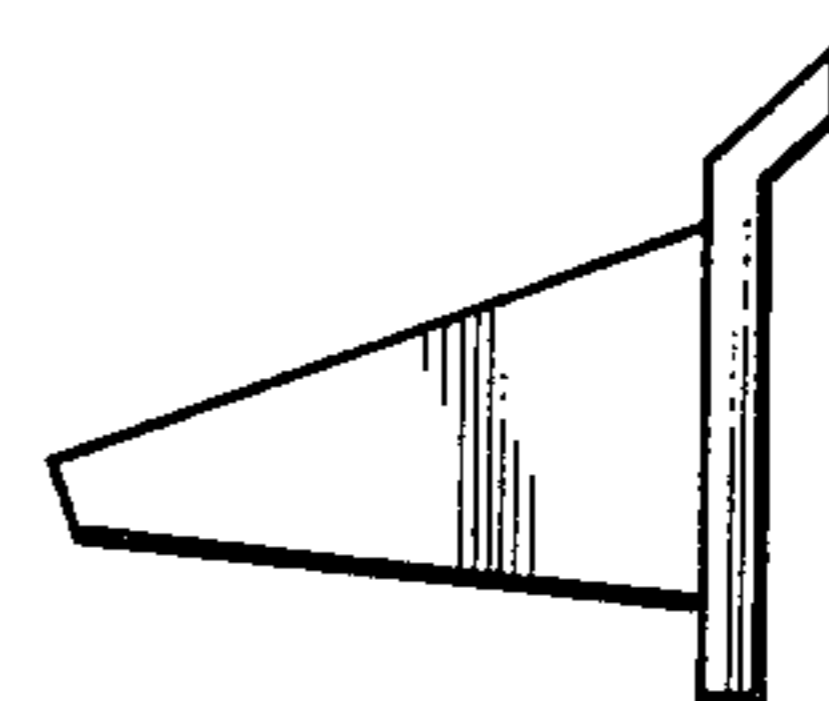


FIG. 7