

[54] CENTRAL HOSPITAL MONITOR

[75] Inventor: Steven A. Chennault, Mukilteo, Wash.

[73] Assignee: Physio-Control Corporation, Redmond, Wash.

[\*\*] Term: 14 Years

[21] Appl. No.: 827,713

[22] Filed: Feb. 10, 1986

[52] U.S. Cl. .... D24/17; D24/8

[58] Field of Search ..... D24/17, 8, 21; 128/670, 128/661, 662, 688, 689, 710, 711, 712, 419 D, 419 N, 419 P, 667-669, 677-683, 672, 692; D10/46, 57, 75, 60, 78, 81, 102, 103

[56] References Cited

U.S. PATENT DOCUMENTS

- D. 238,905 2/1976 Sokol ..... D24/17
- D. 247,251 2/1978 Napoli ..... D24/17
- D. 269,810 7/1983 Mace et al. .... 24/17

- D. 286,815 11/1986 Graumann ..... D24/21
- D. 287,052 12/1986 Avoy et al. .... D24/21

*Primary Examiner*—Wallace R. Burke  
*Assistant Examiner*—Stella M. Reid  
*Attorney, Agent, or Firm*—Christensen, O'Connor, Johnson & Kindness

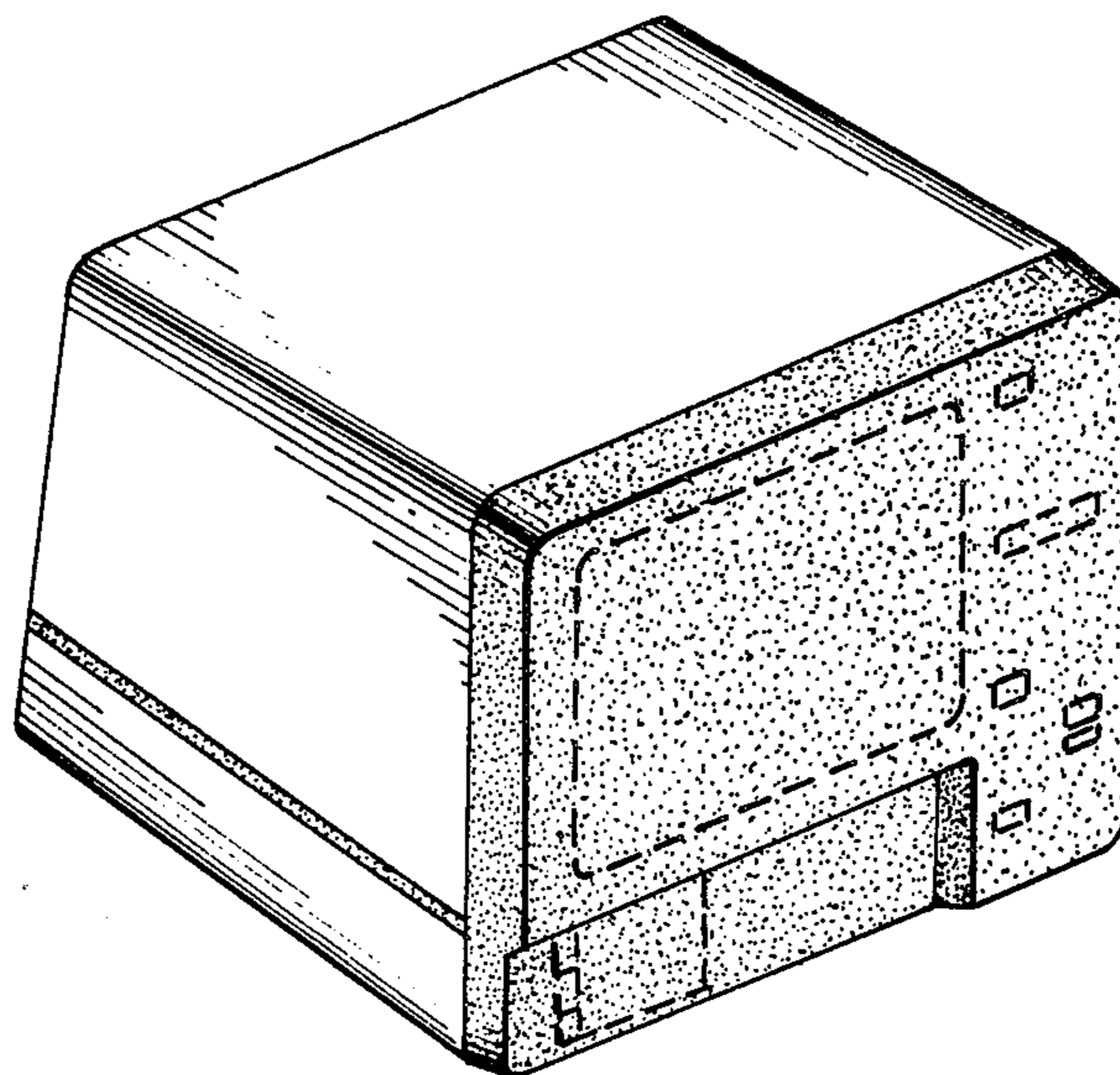
[57] CLAIM

The ornamental design for a central hospital monitor, as shown and described.

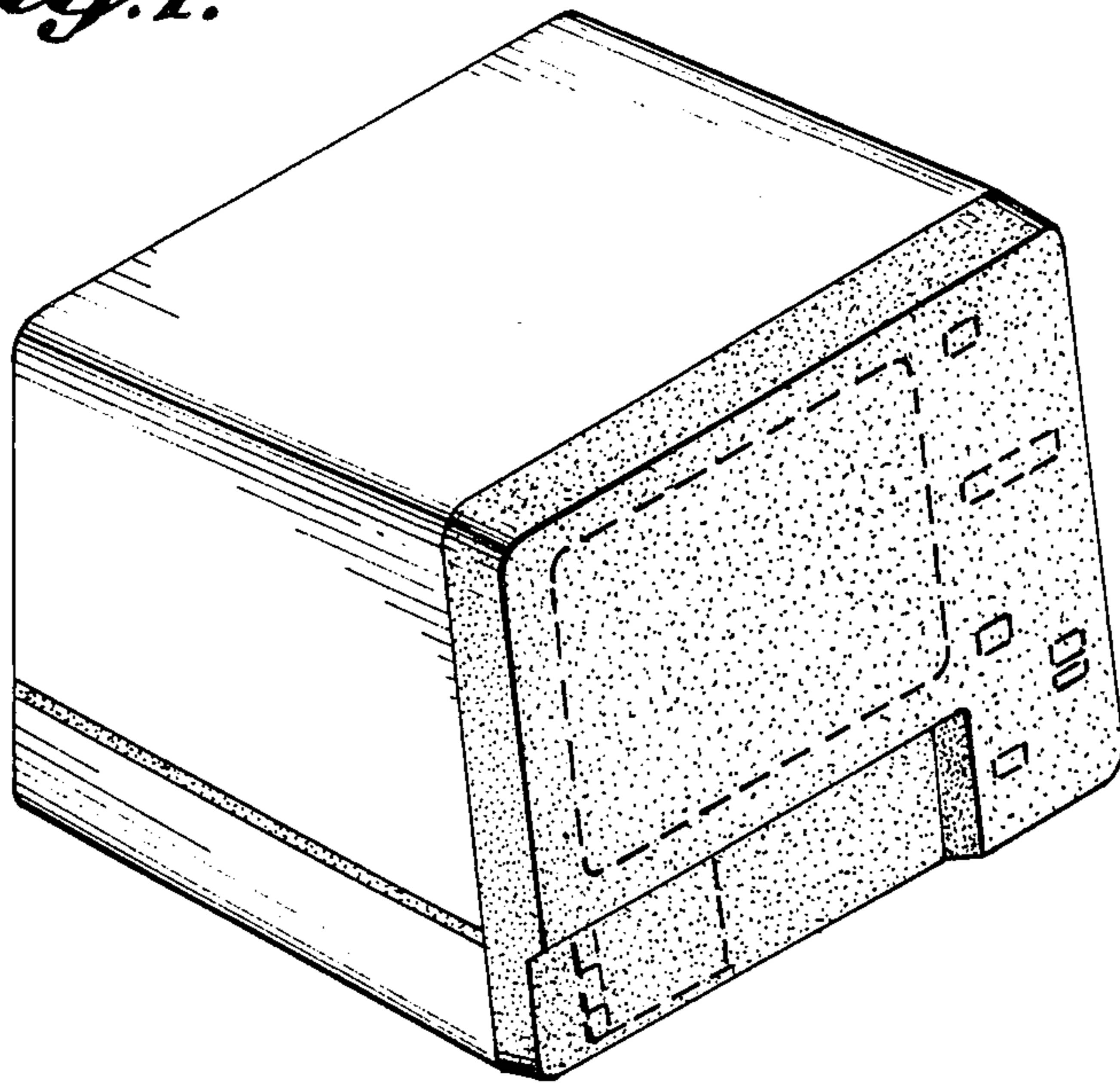
DESCRIPTION

FIG. 1 is a front perspective view of a central hospital monitor showing my new design;  
 FIG. 2 is a left side elevational view thereof;  
 FIG. 3 is a front elevational view thereof;  
 FIG. 4 is a rear elevational view thereof;  
 FIG. 5 is a top plan view thereof; and  
 FIG. 6 is a bottom plan view thereof.

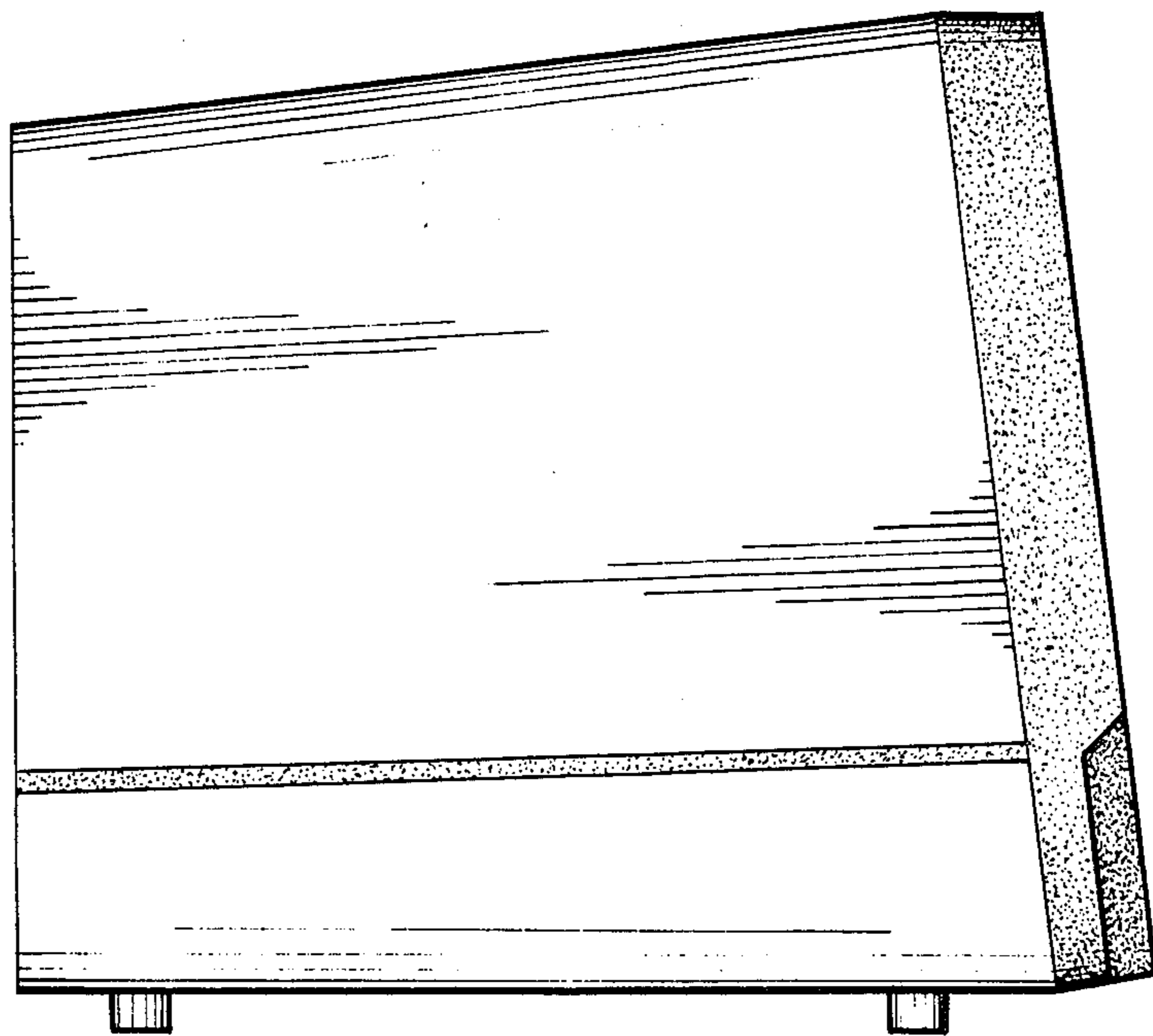
The broken line showing of the display, controls and recorder on the monitor is for illustrative purposes only and forms no part of the claimed design.

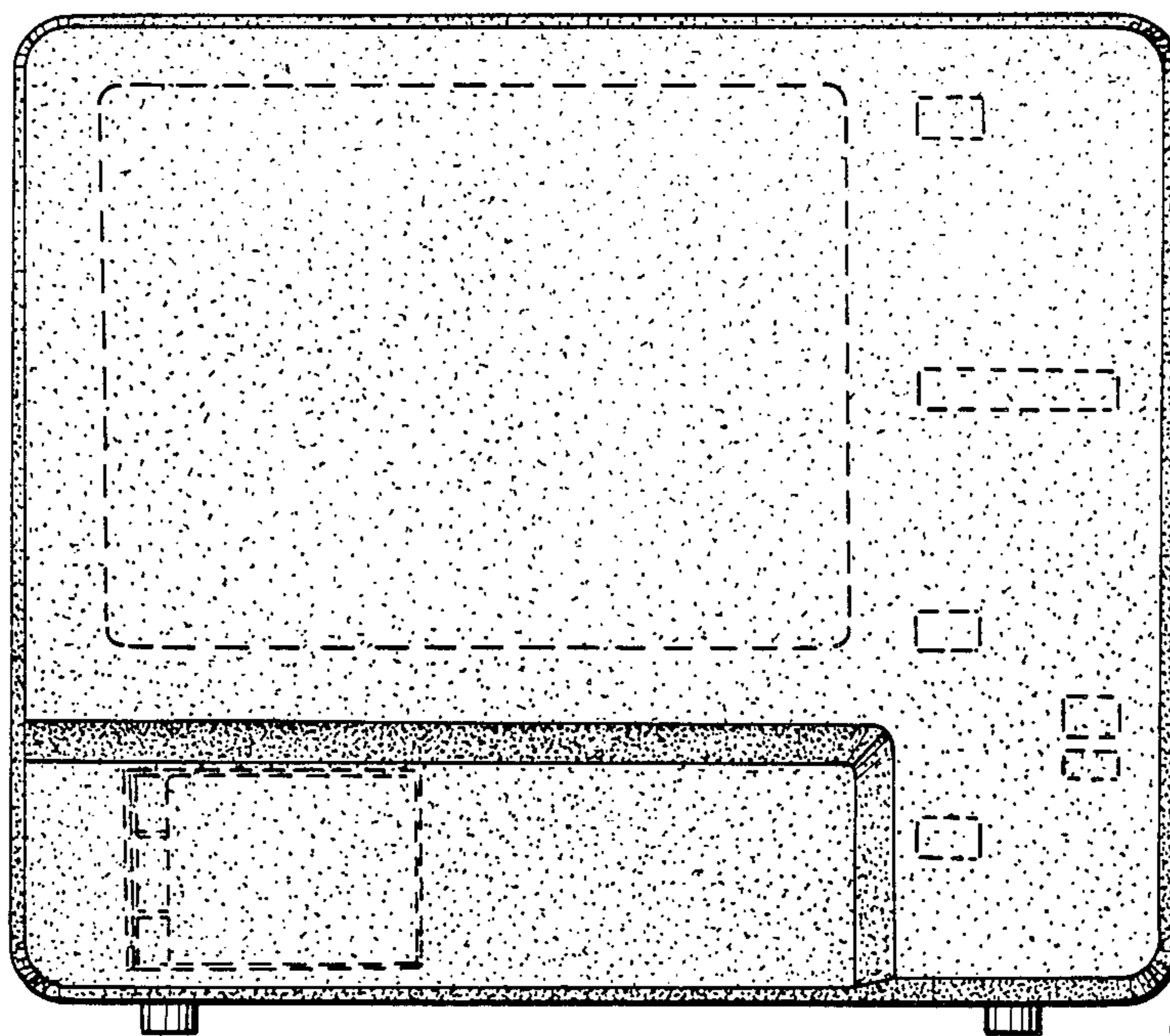


*Fig. 1.*

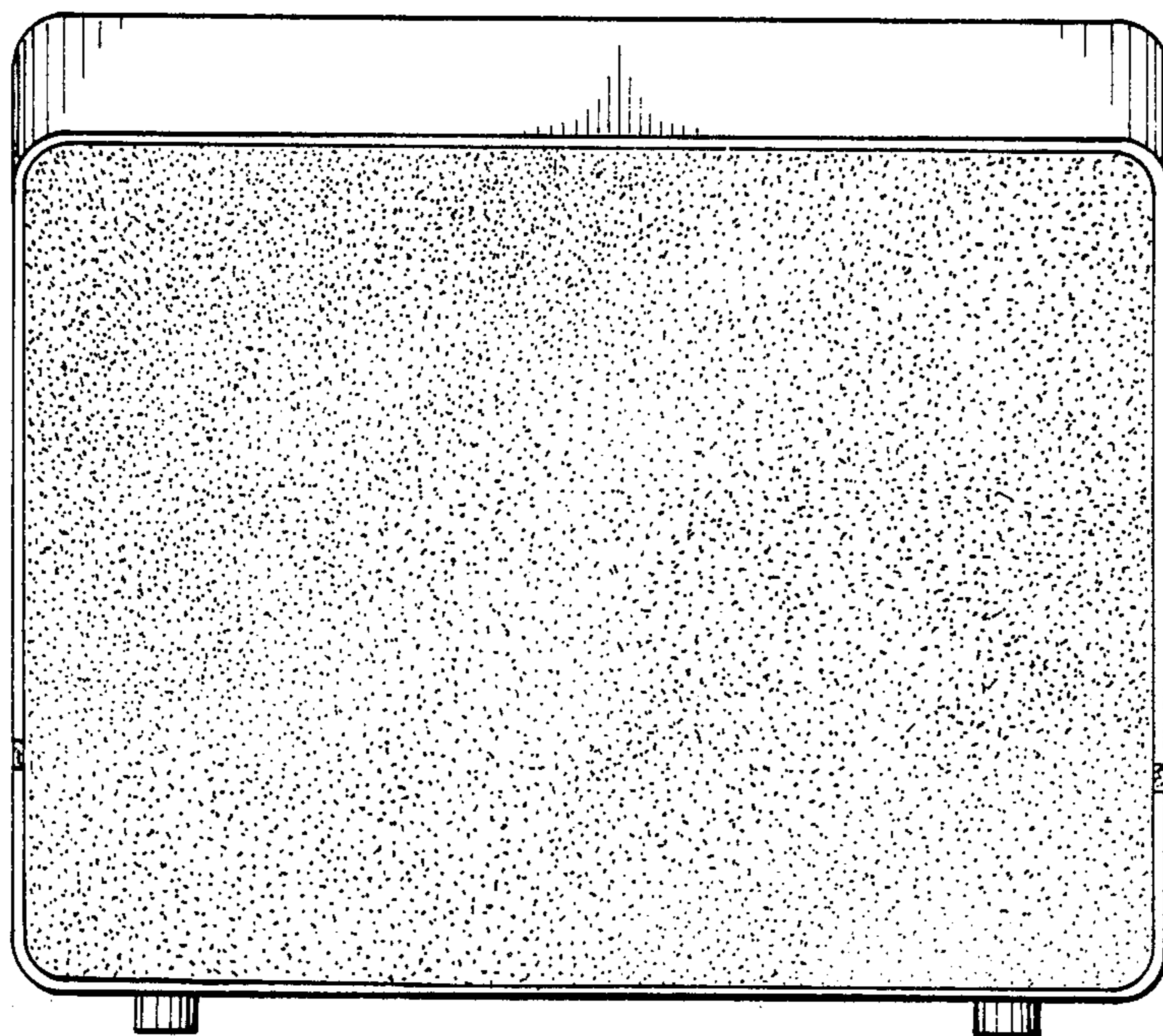


*Fig. 2.*

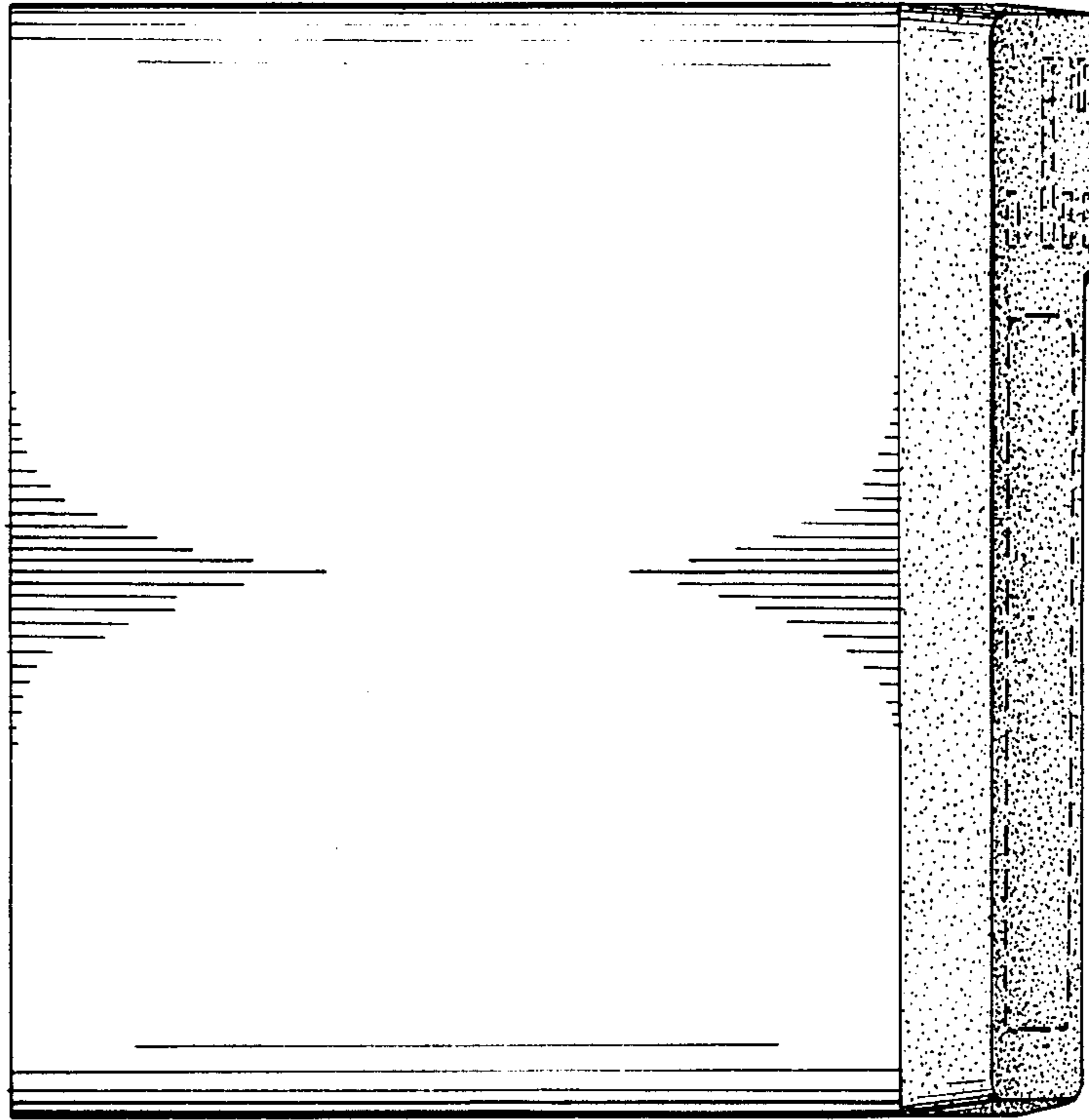




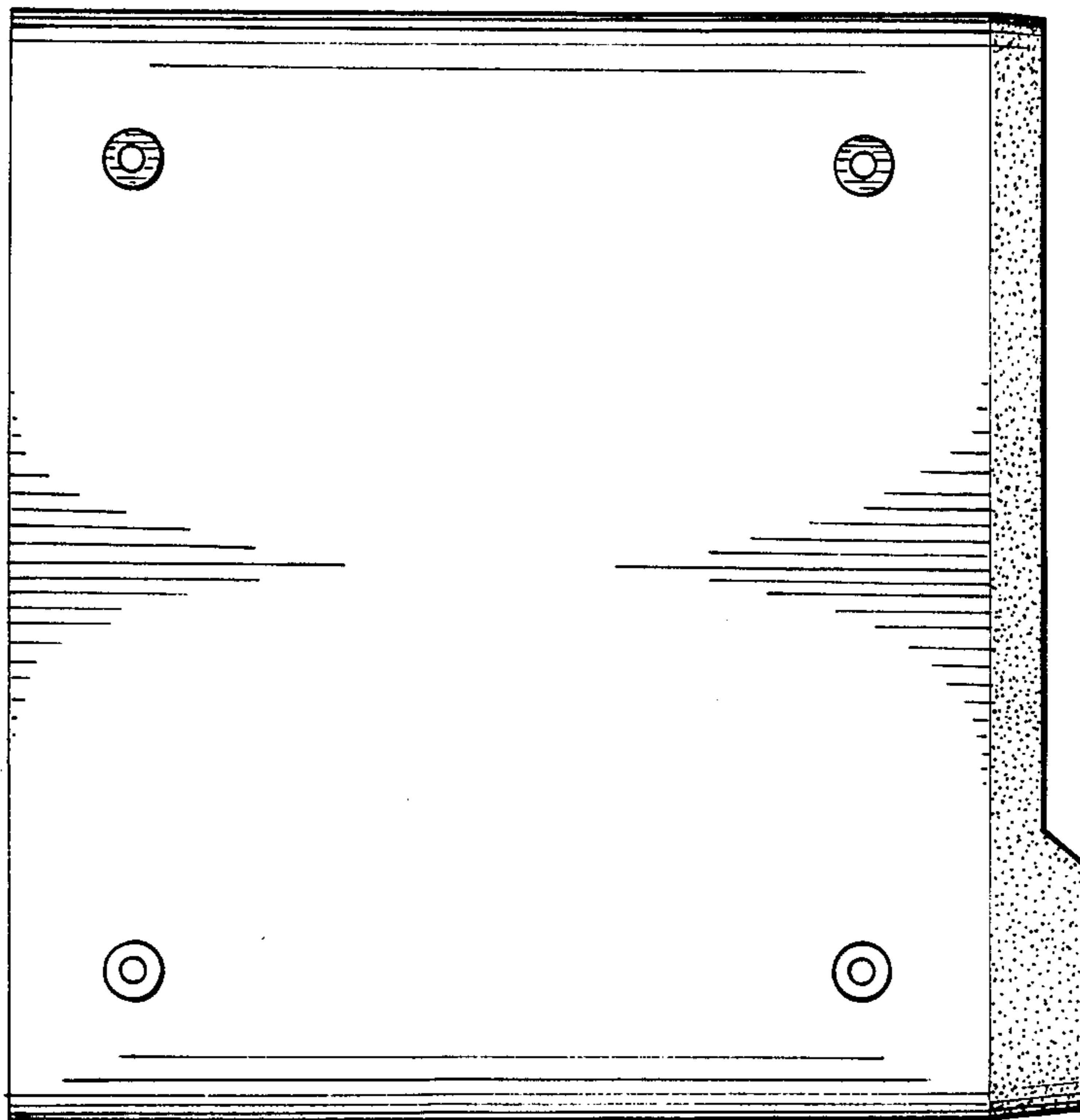
*Fig. 3.*



*Fig. 4.*



*Fig. 5.*



*Fig. 6.*