

[54] **AQUARIUM GANG VALVE**
 [75] **Inventor: Kazutoshi Tominaga, Higashi
 Osakashi, Japan**
 [73] **Assignee: Kabushiki Kaisha Tominagajyushi
 Kogyosho, Higashi Osakashi, Japan**
 [**] **Term: 14 Years**
 [21] **Appl. No.: 773,584**
 [22] **Filed: Sep. 9, 1985**
 [52] **U.S. Cl. D23/245**
 [58] **Field of Search D23/233-236,
 D23/244-249; D30/106, 107; D8/373;
 137/883, 886, 887; 251/6**

3,671,151 6/1972 Duke et al. 137/883 X
 3,685,787 8/1972 Adelberg 251/6
 3,900,184 8/1975 Burke et al. 251/6

Primary Examiner—James R. Largen
Attorney, Agent, or Firm—Collard, Roe & Galgano

[57] **CLAIM**

The ornamental design for aquarium gang valve, as shown and described.

DESCRIPTION

FIG. 1 is a perspective view taken from the top, front and left side of an aquarium gang valve showing my new design;
 FIG. 2 is a front elevational view thereof;
 FIG. 3 is a rear elevational view thereof;
 FIG. 4 is a top plan view thereof;
 FIG. 5 is a bottom plan view thereof;
 FIG. 6 is a left side elevational view thereof, the right side being a mirror image of the left side shown;
 FIG. 7 is a cross sectional view taken along the line VII—VII of FIG. 2;
 FIG. 8 is a cross sectional view taken on line VIII—VIII of FIG. 2; and
 FIG. 9 is a cross sectional view taken on line IX—IX of FIG. 6.
 The fragmentary broken line representation of an aquarium in FIG. 1 is for purposes of illustration only and forms no part of the claimed design.

[56] **References Cited**
U.S. PATENT DOCUMENTS

D. 181,144	10/1957	Halpert	D23/245
D. 218,560	9/1970	Loritz	D23/245 X
D. 227,858	7/1973	Goldman et al.	D8/373
D. 235,508	6/1975	Yamasaki	D8/373
D. 236,950	9/1975	Goldman et al.	D8/373
D. 237,882	12/1975	Yamasaki	D23/245
D. 265,849	8/1982	Ng	D23/245
3,019,815	2/1962	Lenardon et al.	137/883
3,092,141	6/1963	Stark	137/883
3,154,102	10/1964	Harris	137/883
3,643,694	2/1972	Duke et al.	137/883

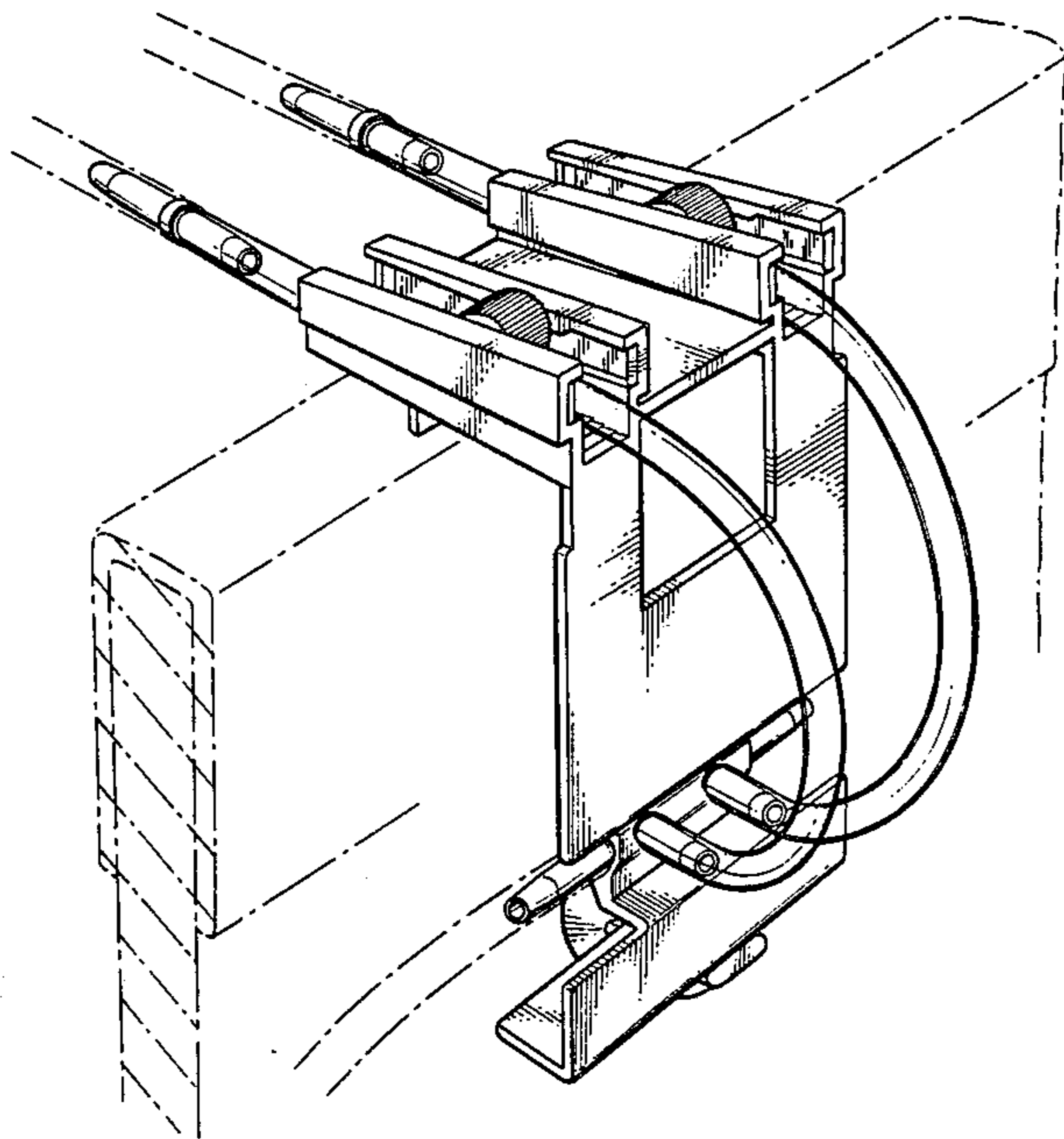


FIG. 1

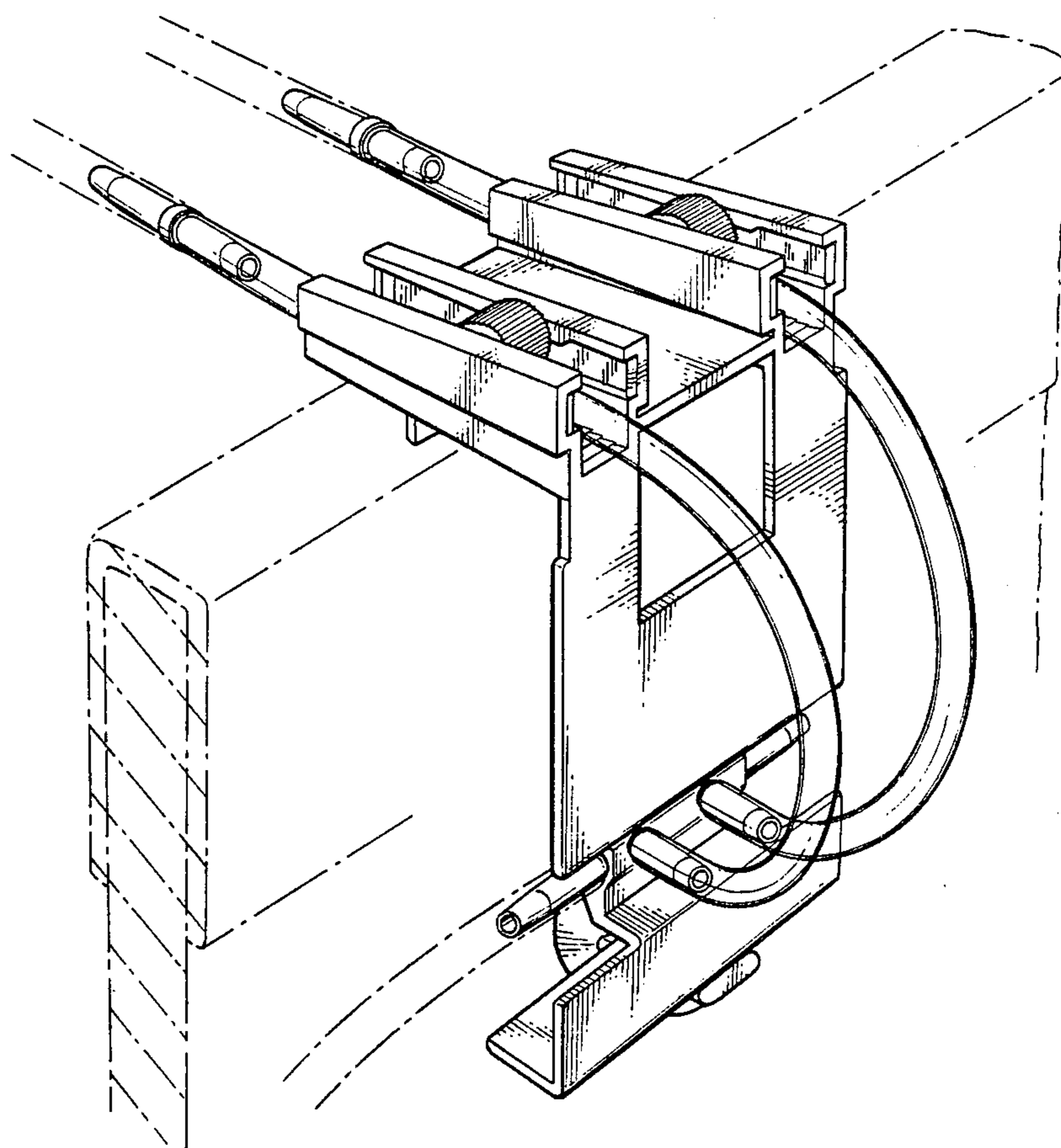


FIG. 2

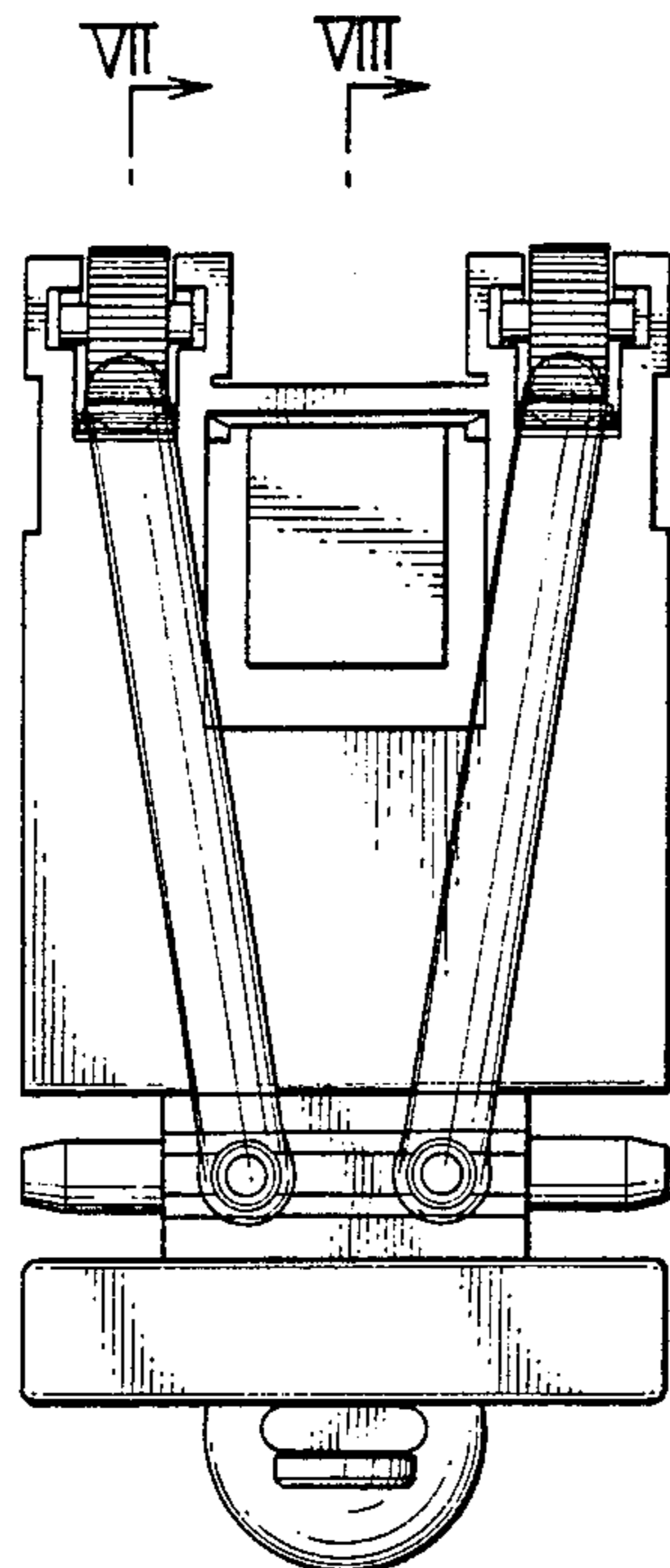


FIG. 4

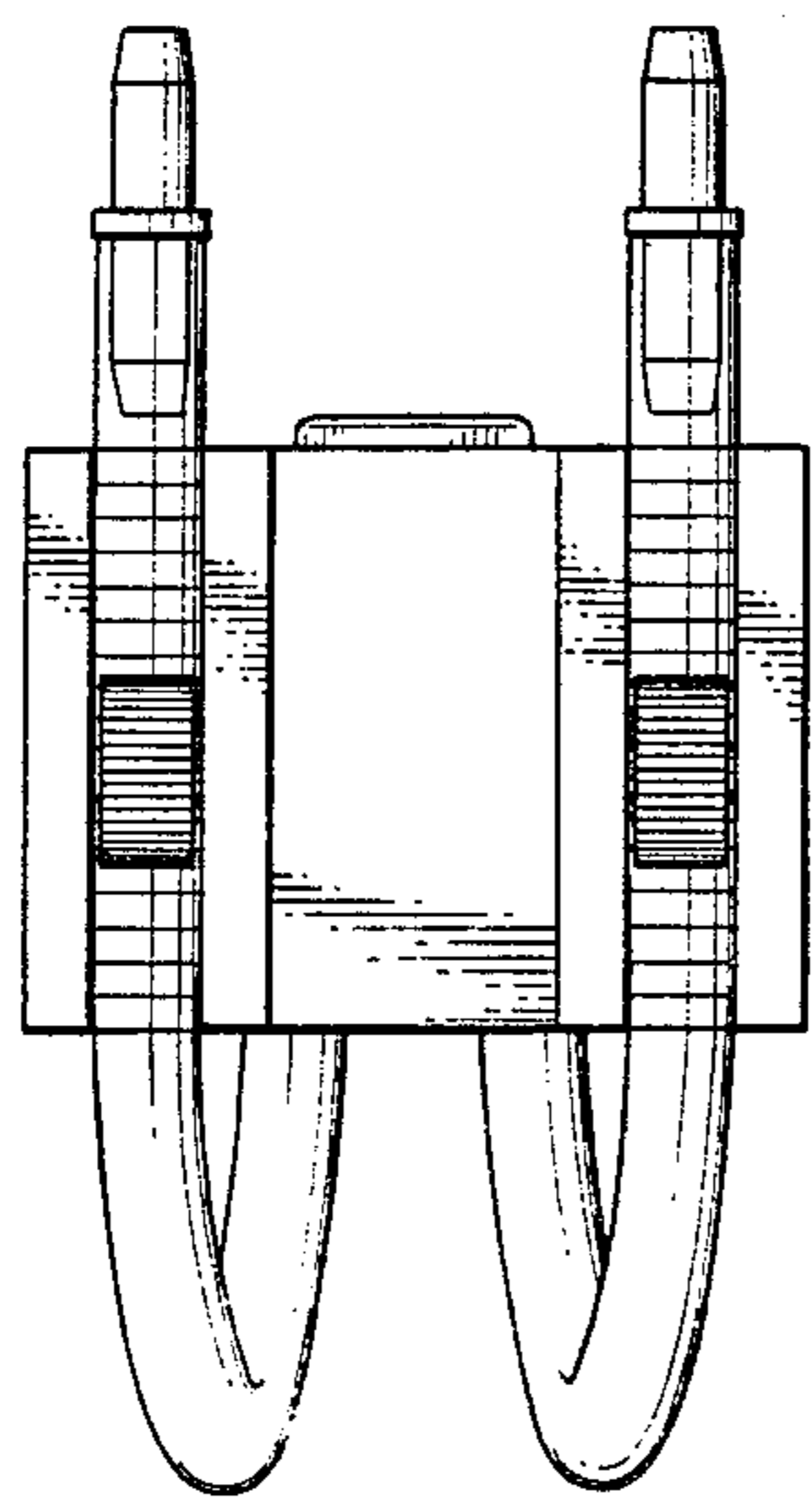


FIG. 3

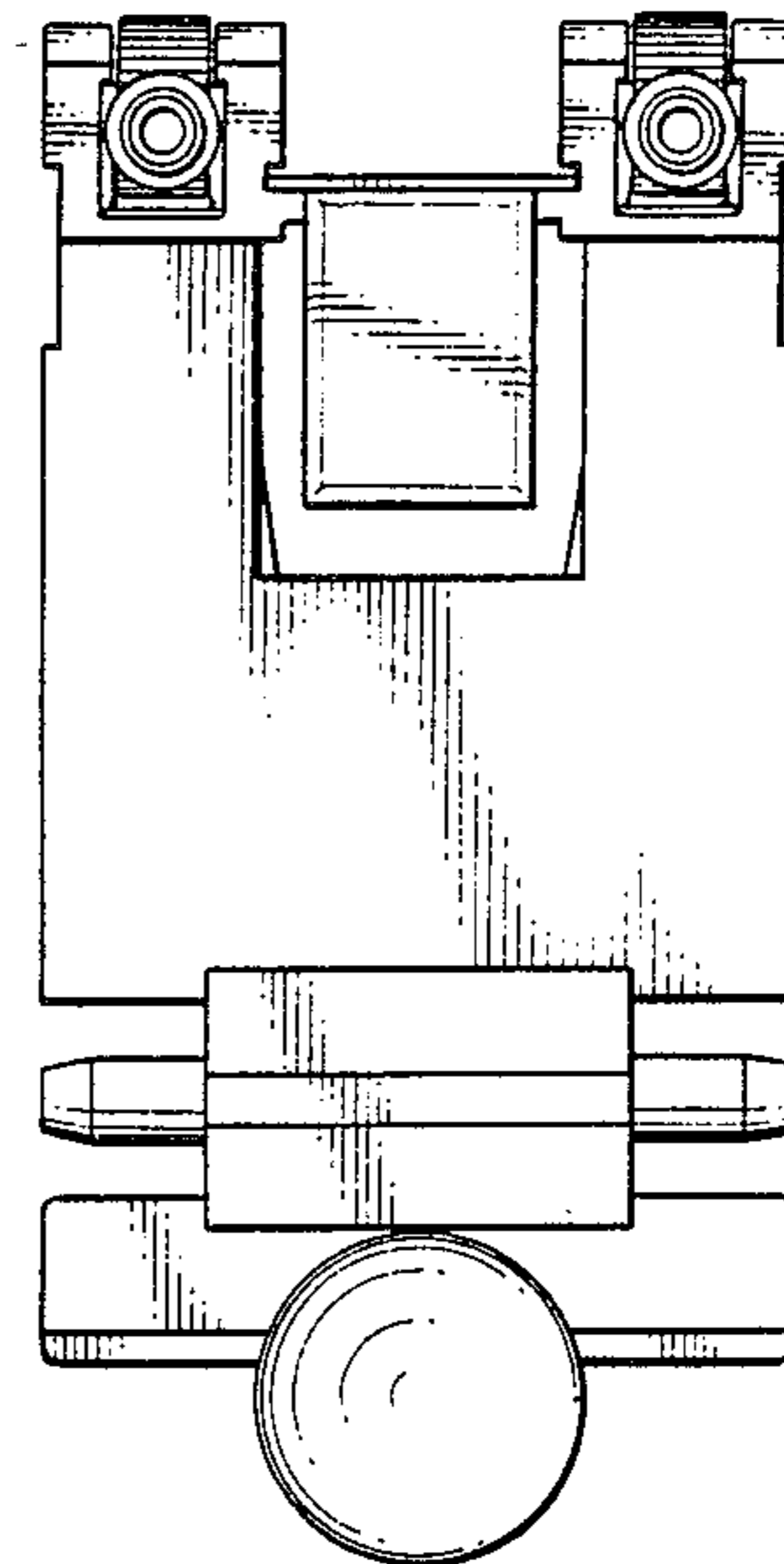


FIG. 5

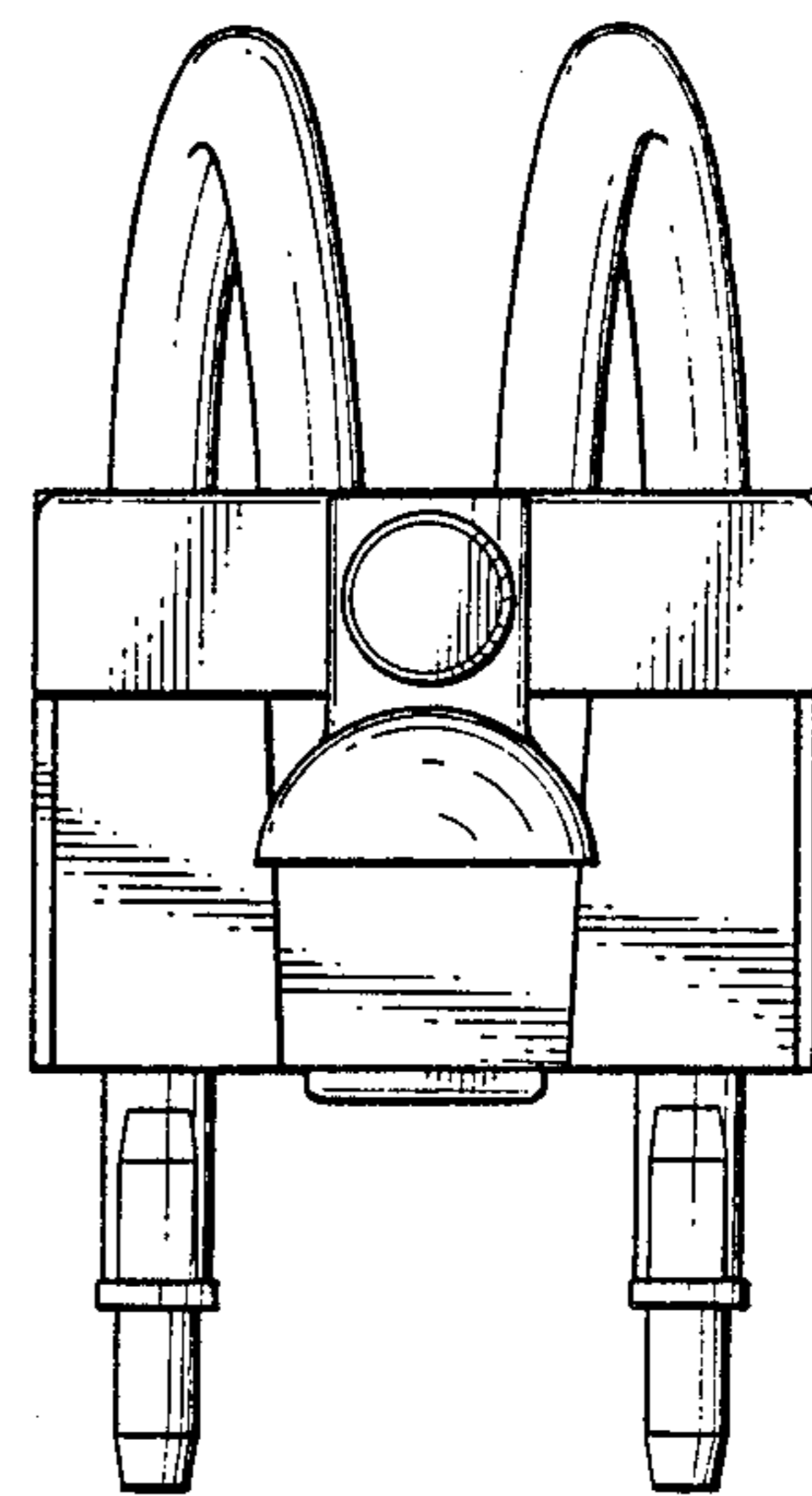


FIG. 6

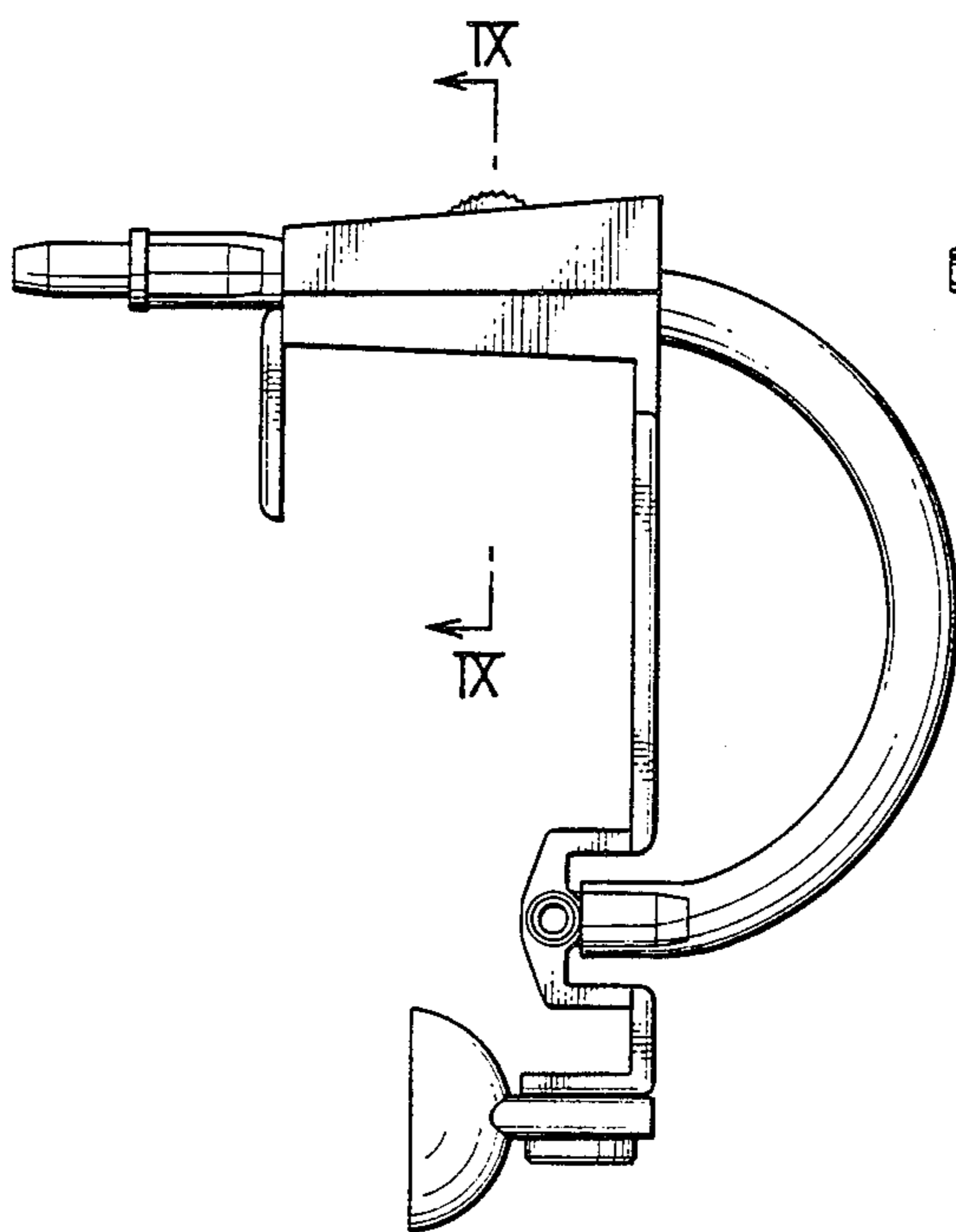


FIG. 7

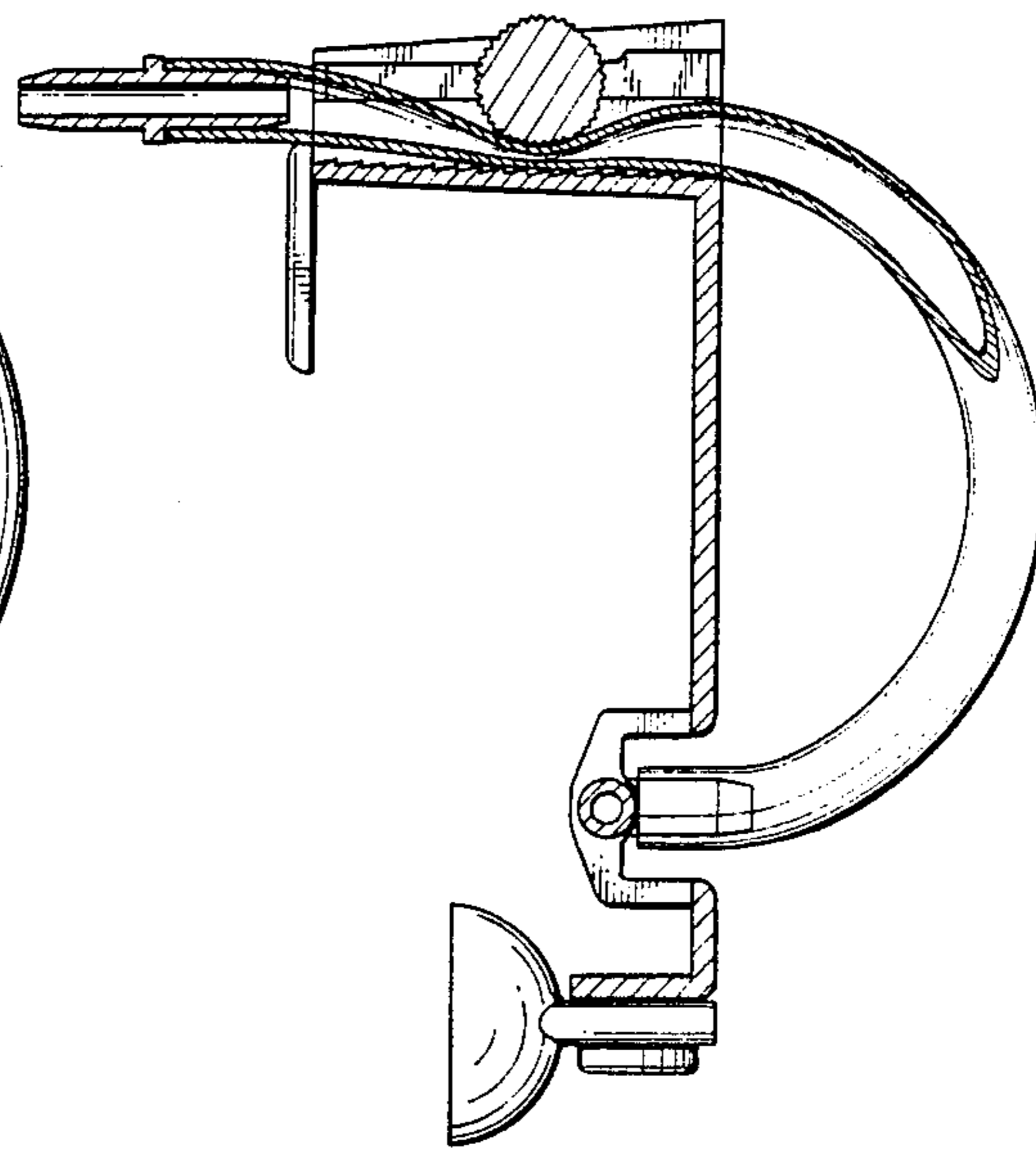


FIG. 8

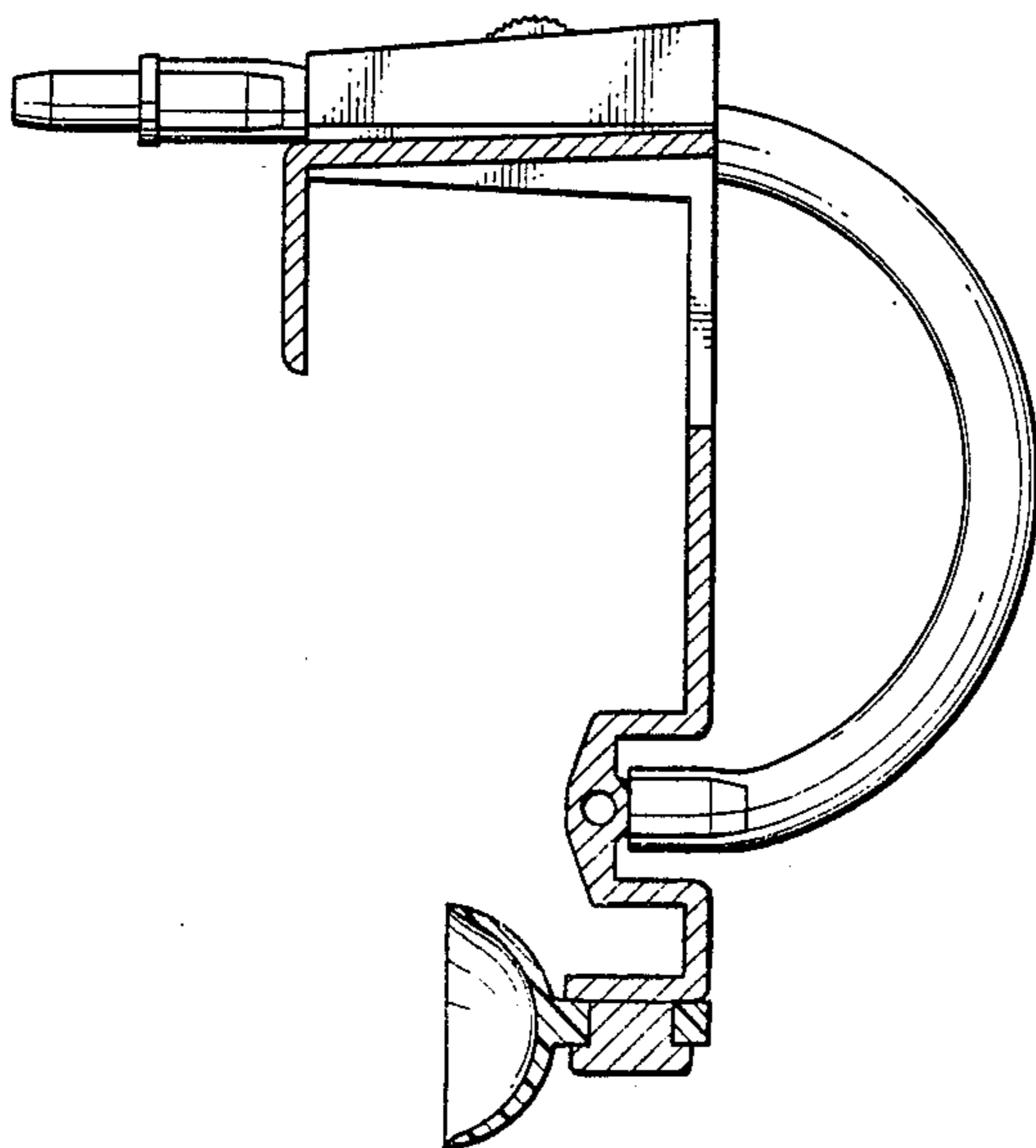


FIG. 9

