

[54] FAUCET

[76] Inventor: Miguel A. Garcia, 2711 Harrison St., San Francisco, Calif. 94110

[\*\*] Term: 14 Years

[21] Appl. No.: 918,864

[22] Filed: Oct. 10, 1986

[52] U.S. Cl. .... D23/241; D21/162

[58] Field of Search ..... D23/238-243, D23/256; 4/191, 192; 137/801; D21/162

[56] References Cited

U.S. PATENT DOCUMENTS

- D. 87,328 7/1932 Brotz ..... D23/243
- D. 155,252 9/1949 Wolf ..... D21/162
- D. 163,527 6/1951 Lewandowski ..... D21/162 X
- D. 165,987 2/1952 Krafft ..... D23/243
- D. 173,979 2/1955 Crenshaw ..... D21/162 X
- D. 185,353 6/1959 Dreyfuss ..... D23/241

- D. 193,924 10/1962 Harty, Jr. .... D23/241
- D. 236,298 8/1975 Baeu ..... D21/162 X
- D. 282,563 2/1986 Beene ..... D23/256
- 4,353,139 10/1982 Wainwright ..... D23/256 X

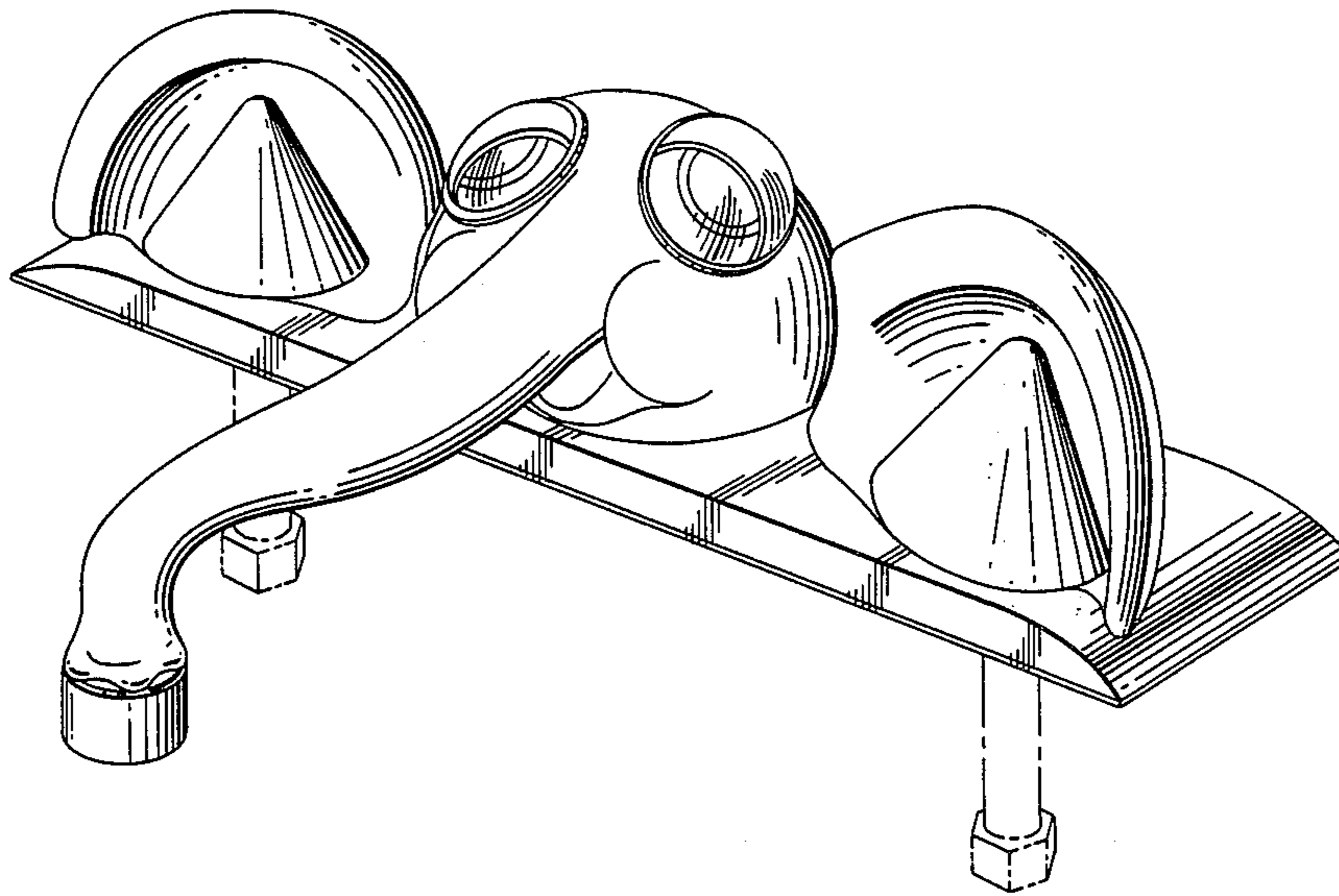
Primary Examiner—James R. Lergen

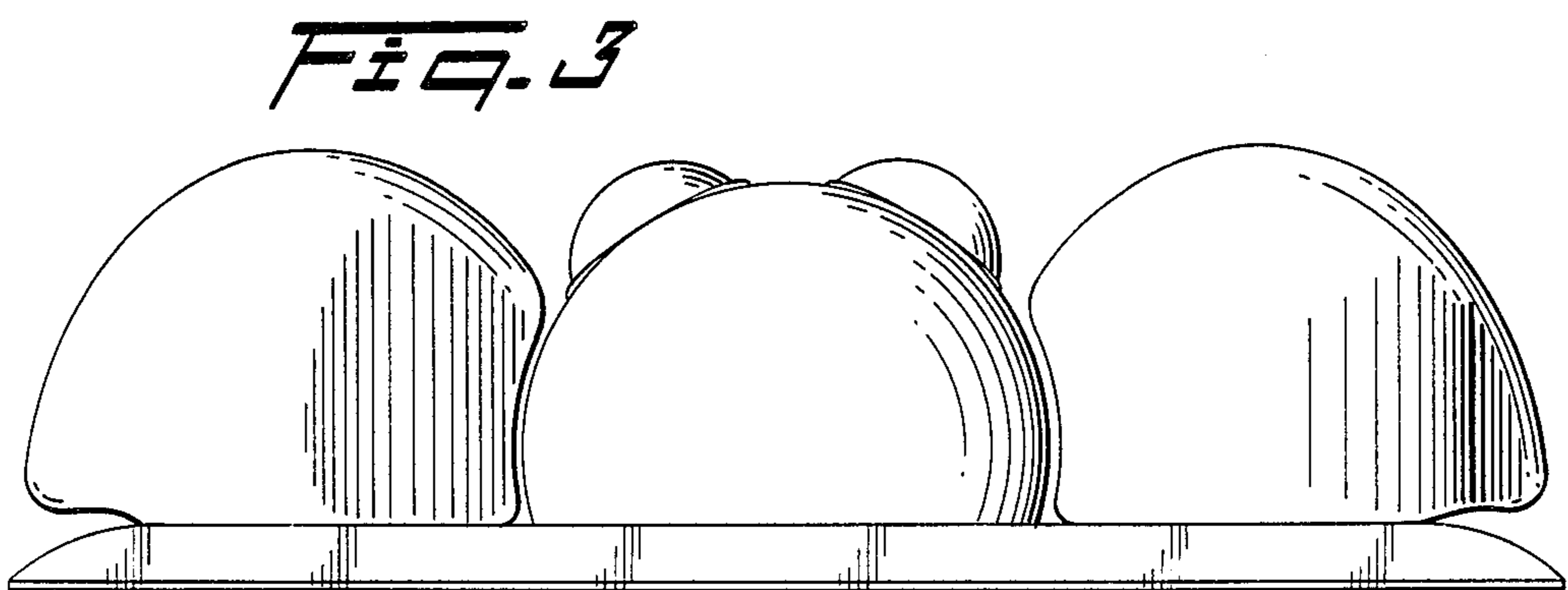
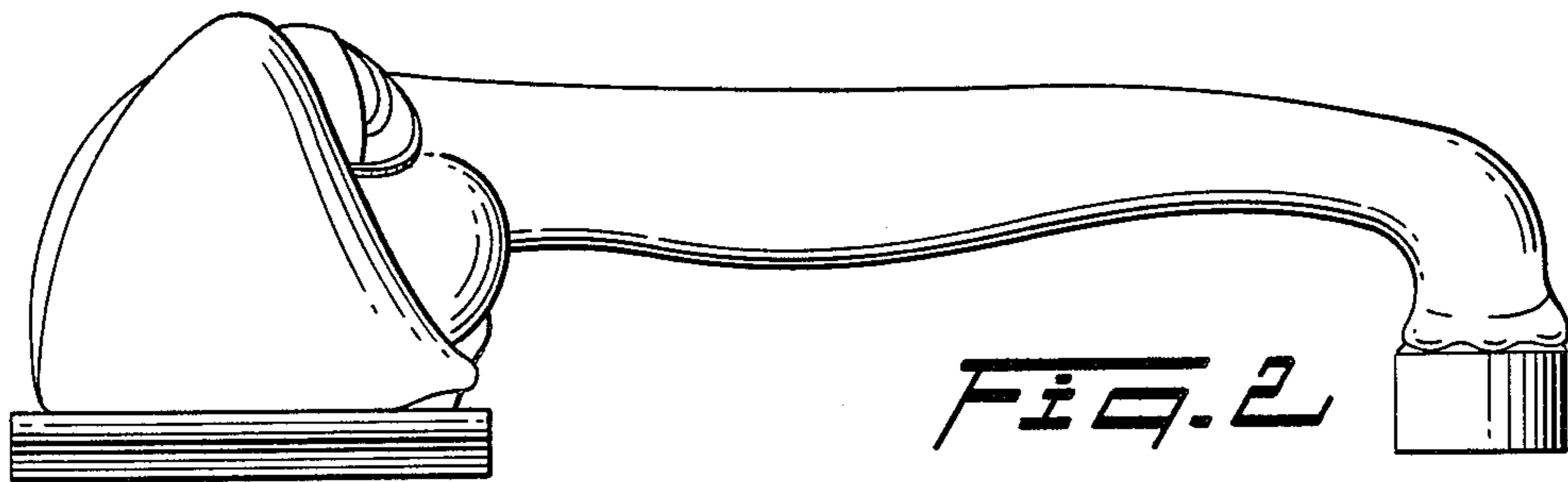
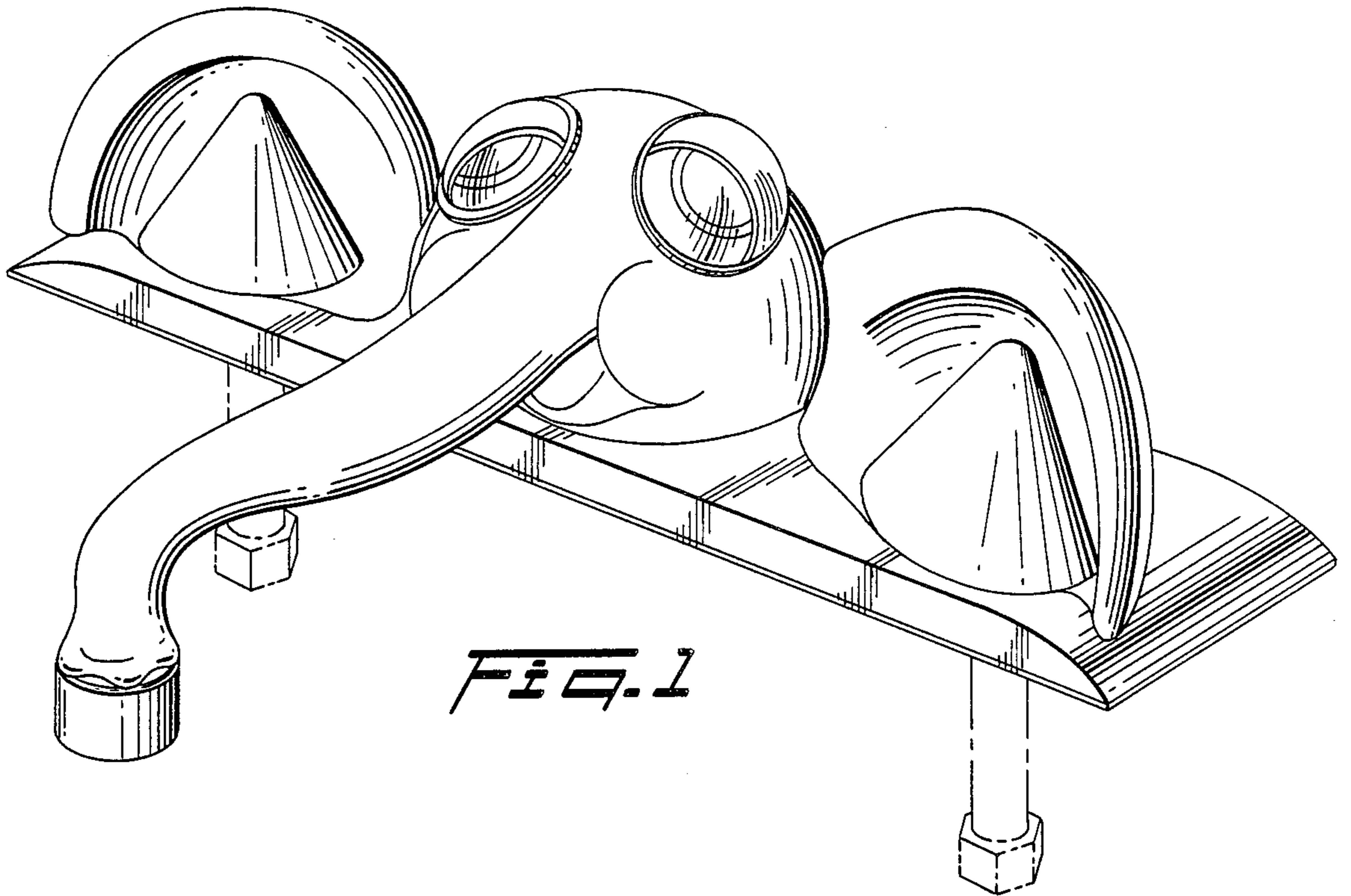
[57] CLAIM

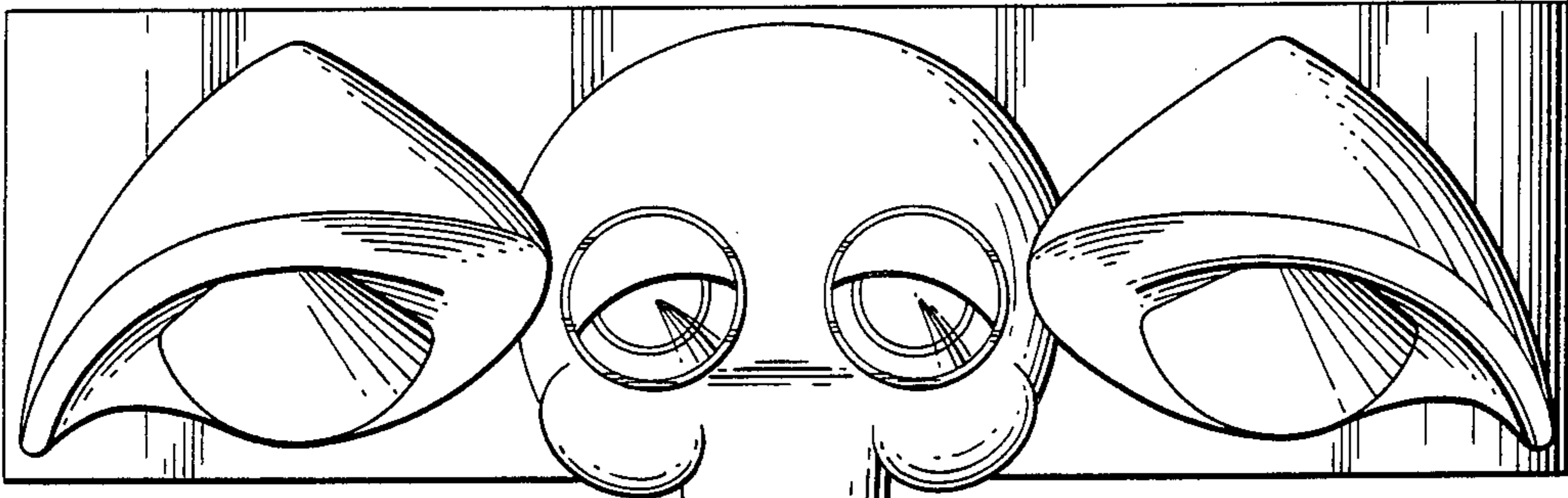
The ornamental design for a faucet, substantially as shown and described.

DESCRIPTION

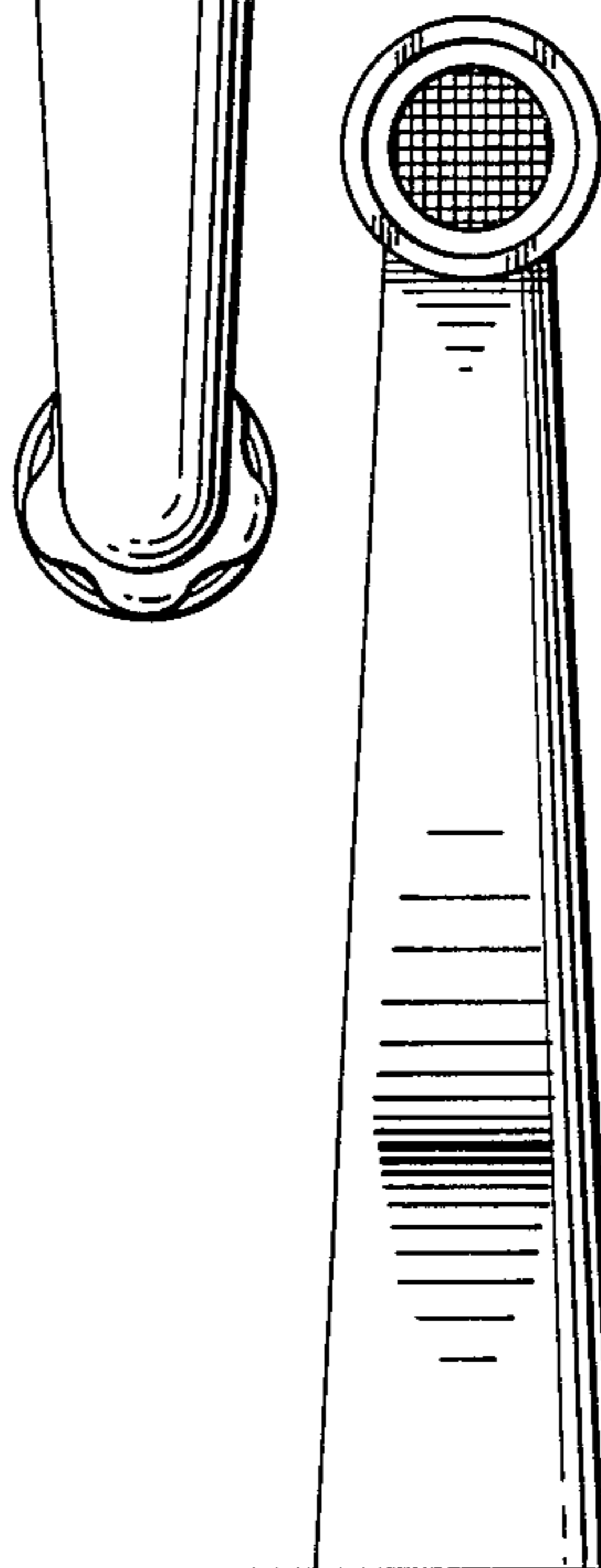
FIG. 1 is a perspective view taken from the top, front and right side of a faucet showing my new design; FIG. 2 is a left side elevational view thereof, the right side being a mirror image of the left side shown; FIG. 3 is a rear elevational view thereof; FIG. 4 is a top plan view thereof; and FIG. 5 is a bottom plan view thereof. The broken line representation of supply pipes in FIG. 1 is for purposes of illustration only and forms no part of the claimed design.







*FIG. 4*



*FIG. 5*

