

[54] INSECT FEEDING STATION OR SIMILAR DEVICE

1,394,626	10/1921	Koch	43/121
1,700,517	1/1929	Ross	43/121
2,242,099	5/1941	Wittwer et al.	43/121
4,485,582	12/1984	Morris	D22/120 X

[75] Inventor: Gregory M. Gatarz, East Brunswick, N.J.

Primary Examiner—A. Hugo Word

[73] Assignee: American Home Products Corporation, New York, N.Y.

[57] CLAIM

[\*\*] Term: 14 Years

The ornamental design for an insect feeding station or similar device, as shown and described.

[21] Appl. No.: 845,742

DESCRIPTION

[22] Filed: Mar. 21, 1986

FIG. 1 is a top plan view of an insect feeding station embodying my new design;

[52] U.S. Cl. .... D22/122

FIG. 2 is a front view thereof;

[58] Field of Search ..... D22/120, 119, 122; 43/112, 113, 115, 107, 121, 122, 123, 132, 108, 114, 131

FIG. 3 is a right side view thereof, the opposite side being a mirror image;

FIG. 4 is a bottom plan thereof;

FIG. 5 is rear view thereof;

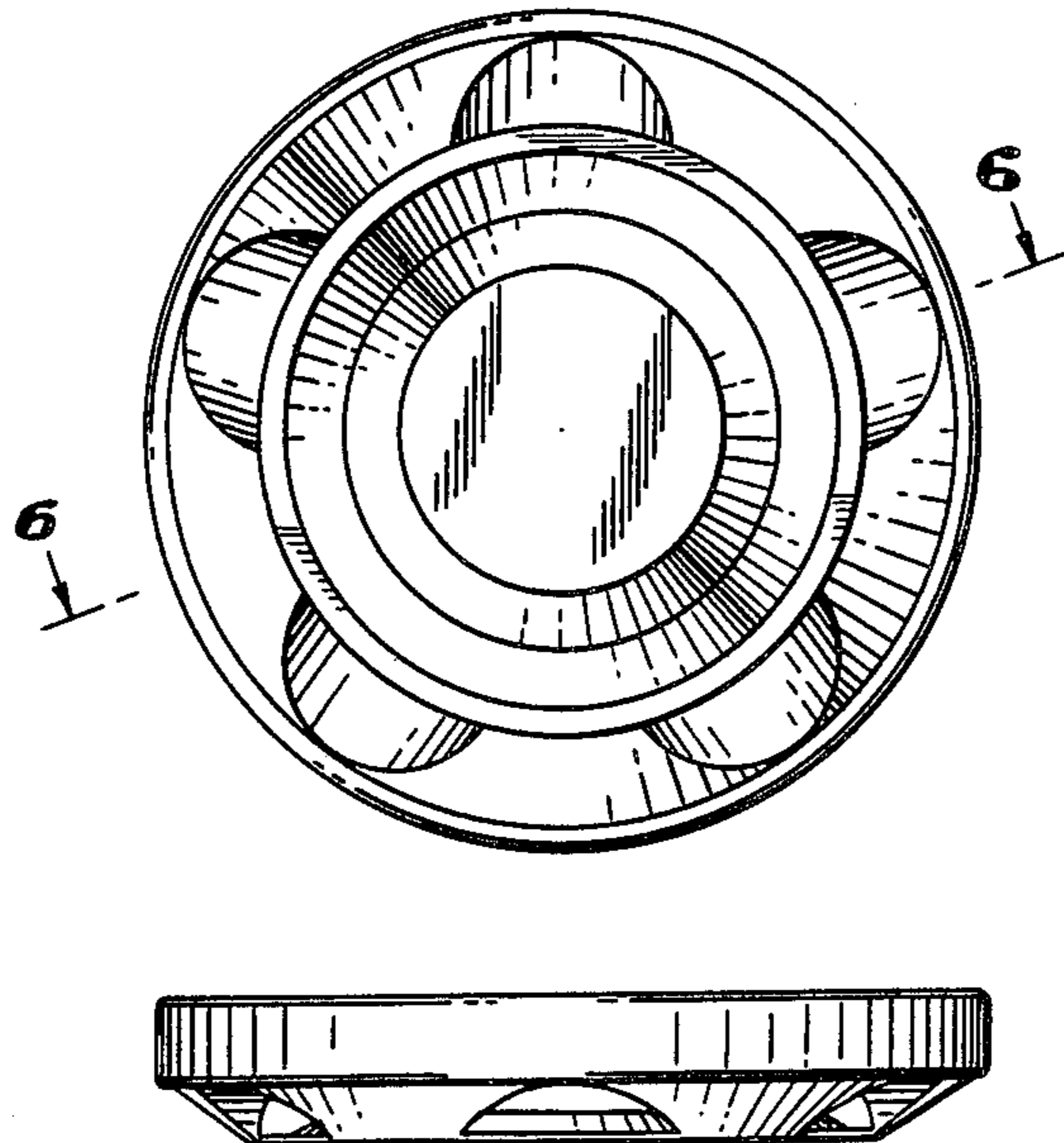
FIG. 6 is a cross sectional view taken along lines 6—6 of FIG. 4;

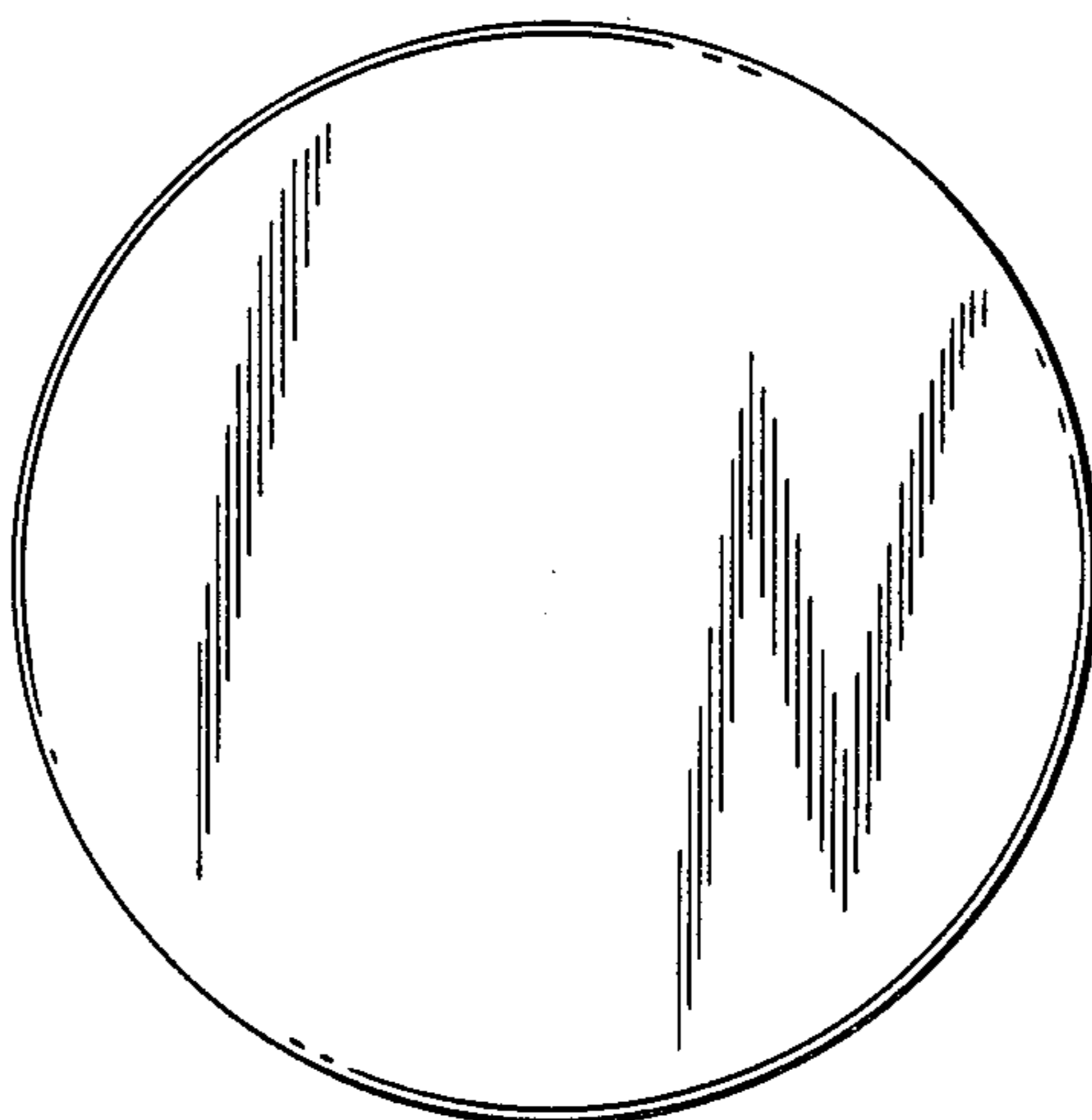
FIG. 7 is a bottom plan view of a modification of the base of the insect feeding station showing six apertures into the station.

[56] References Cited

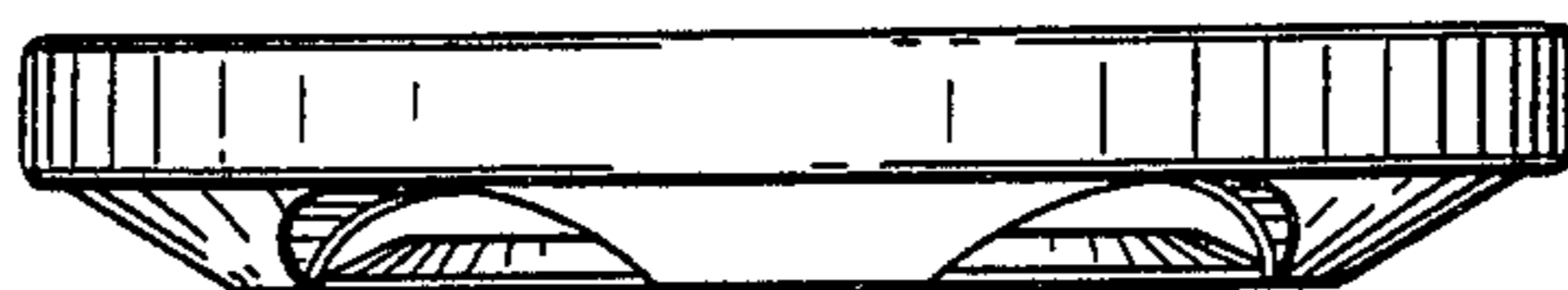
U.S. PATENT DOCUMENTS

D. 227,653	7/1973	Torchia	D22/19
D. 275,875	10/1984	Woodruff	D22/122
D. 278,842	5/1985	Woodruff	D22/19

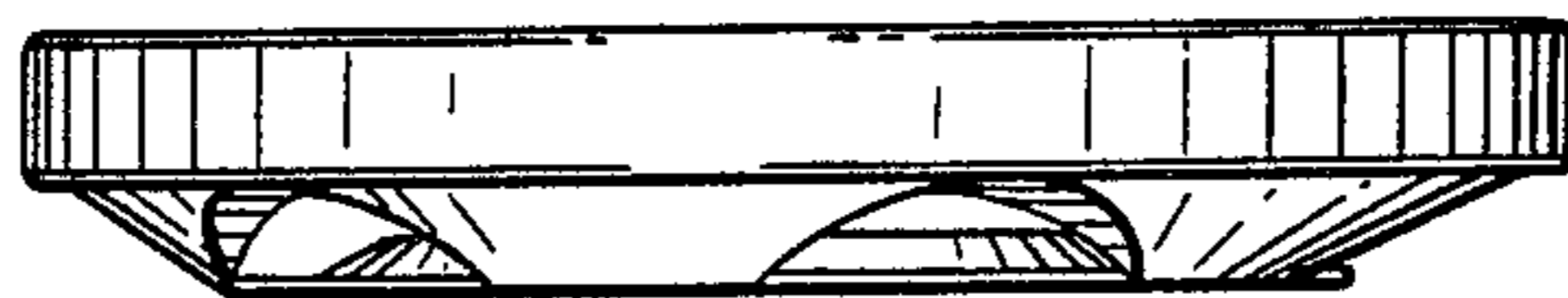




*FIG. 1*

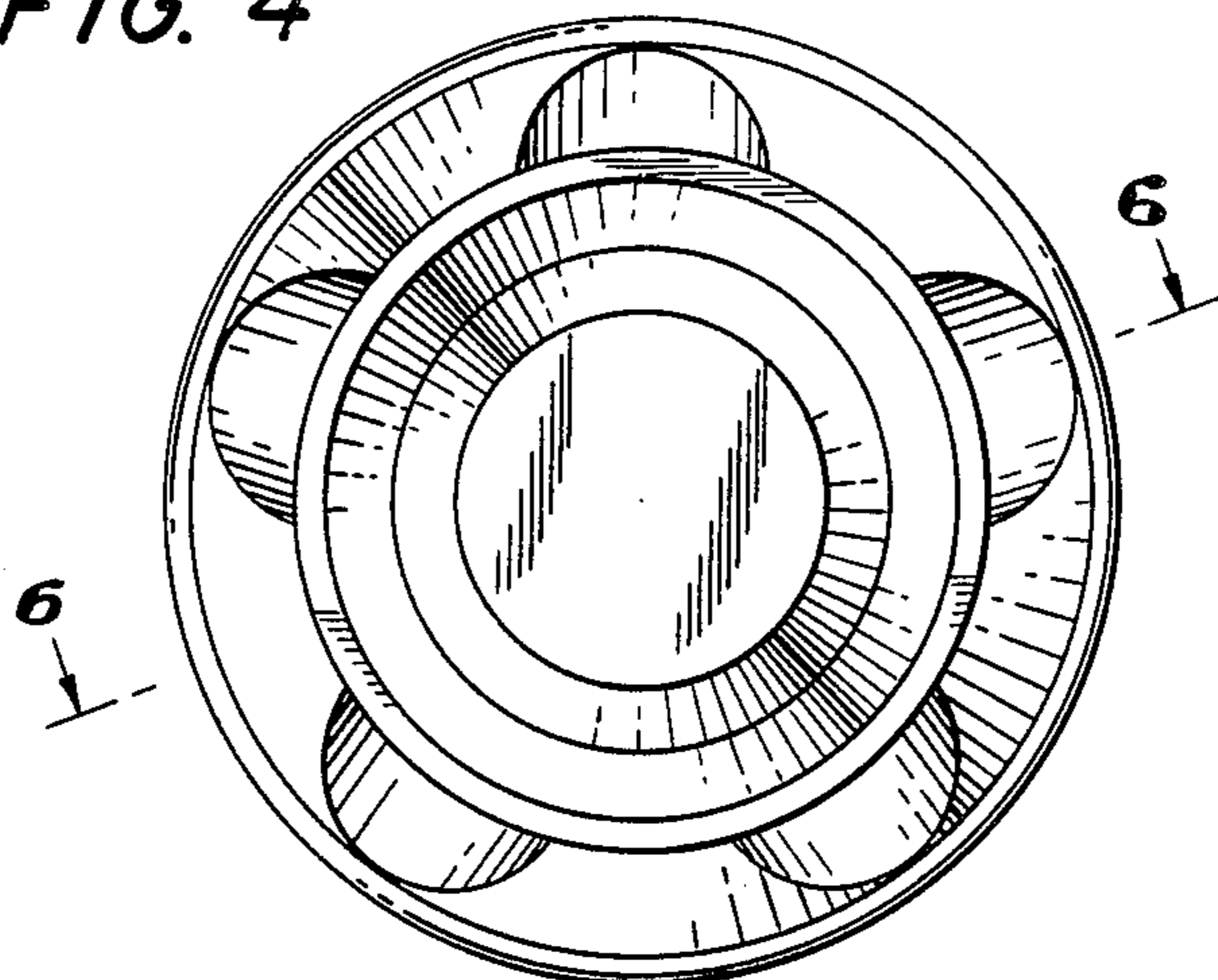


*FIG. 2*

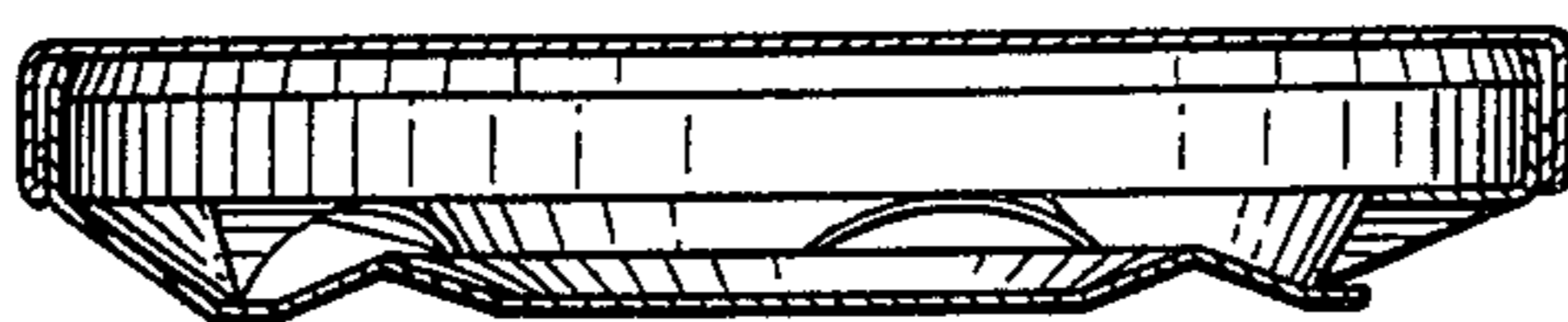


*FIG. 3*

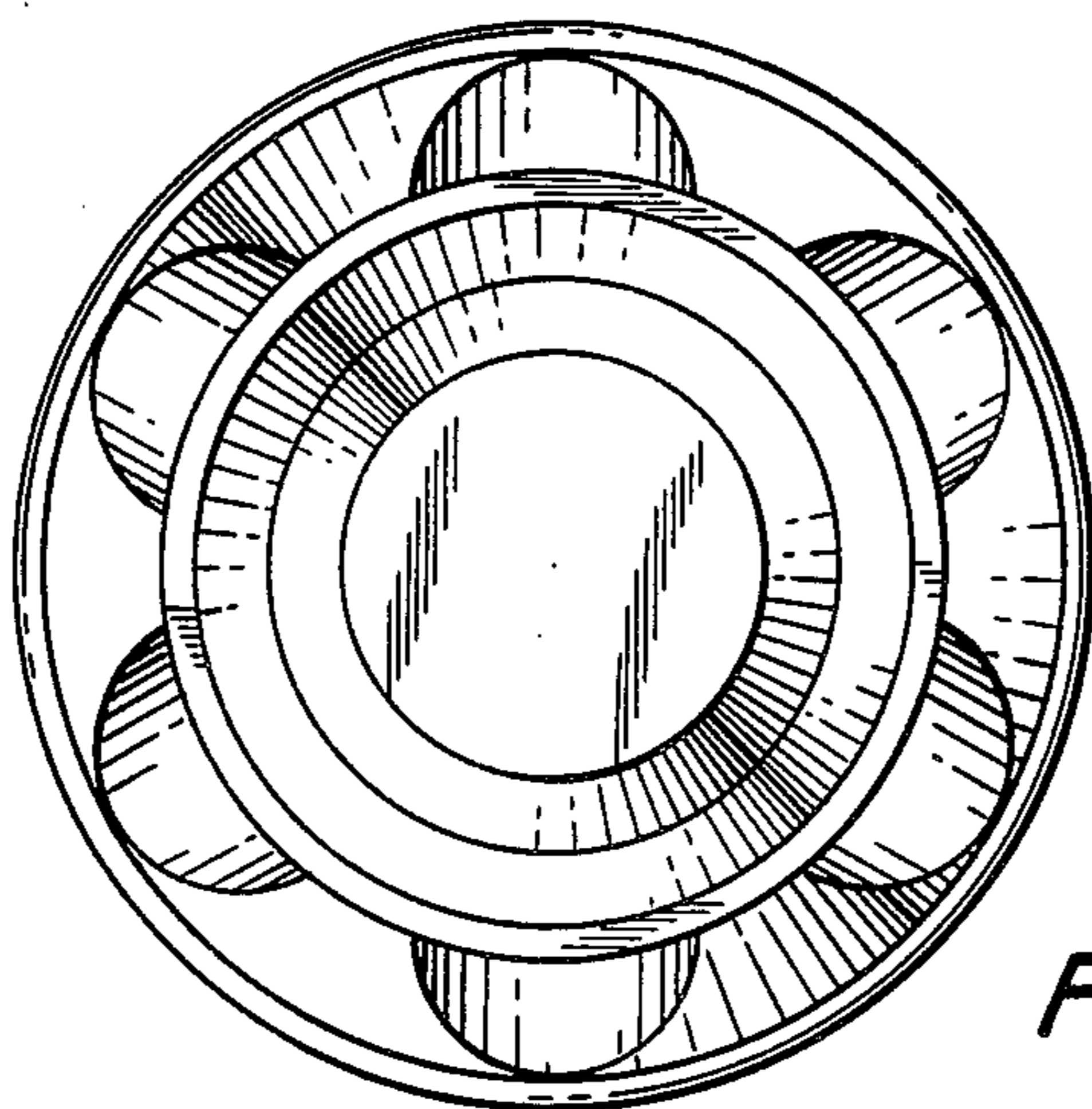
*FIG. 4*



*FIG. 5*



*FIG. 6*



*FIG. 7*

UNITED STATES PATENT AND TRADEMARK OFFICE  
**CERTIFICATE OF CORRECTION**

PATENT NO. : Des. 298,160  
DATED : October 18, 1988  
INVENTOR(S) : Gatarz, Gregory M.

It is certified that error appears in the above-identified patent and that said Letters Patent are hereby corrected as shown below:

Cover Page, No. 73 Assignee, should read:

Boyle-Midway Household Products, Inc.

New York, New York

**Signed and Sealed this  
Fourteenth Day of March, 1989**

*Attest:*

*Attesting Officer*

DONALD J. QUIGG

*Commissioner of Patents and Trademarks*