

[54] ROLLER SKATE

D. 277,494 2/1985 Lerch D21/136

[75] Inventors: Robert S. McKay, 7420 Beckwith Rd., Morton Grove, Ill. 60053; Thomas A. Robbins, St. Charles, Ill.

Primary Examiner—Charles A. Rademaker
Attorney, Agent, or Firm—Kinzer, Plyer, Dorn, McEachran & Jambor

[73] Assignee: Robert S. McKay, Wood Dale, Ill.

[57] CLAIM

[**] Term: 14 Years

The ornamental design for a roller skate, as shown and described.

[21] Appl. No.: 87,754

DESCRIPTION

[22] Filed: Aug. 21, 1987

[52] U.S. Cl. D21/226

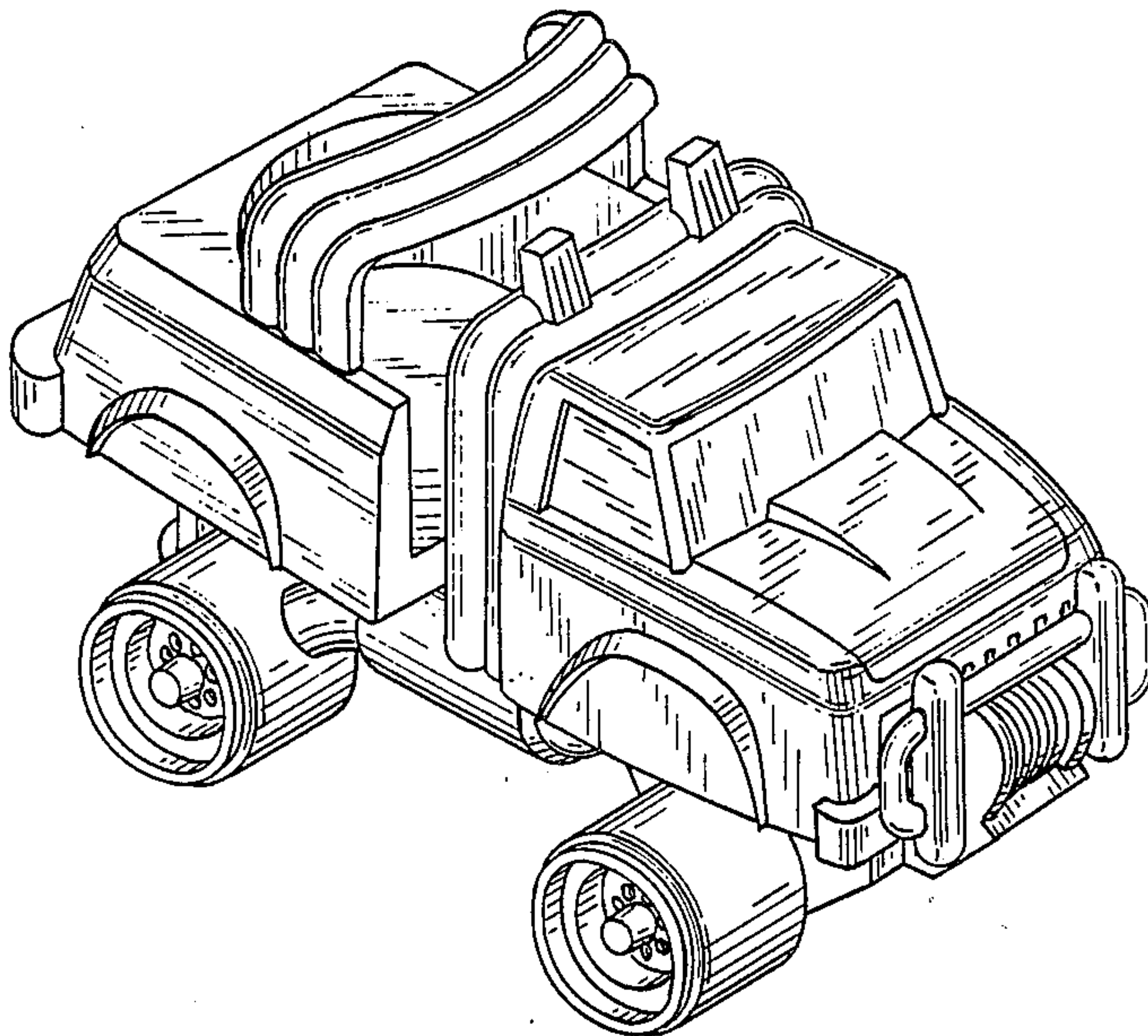
[58] Field of Search D21/224, 226, 136, 137; 280/11.27, 11.3, 11.19, 811; 301/5.3

FIG. 1 is a perspective view of a roller skate showing our new design;
FIG. 2 is a side elevational view thereof;
FIG. 3 is a top plan view thereof;
FIG. 4 is a front elevational view thereof;
FIG. 5 is a rear elevational view thereof;
FIG. 6 is a bottom plan view thereof;
FIG. 7 is another top plan view thereof showing the design in an adjusted condition;
FIG. 8 is a side elevational view thereof; and
FIG. 9 is a bottom plan view thereof.

[56] References Cited

U.S. PATENT DOCUMENTS

- D. 217,874 6/1970 French D21/226
- D. 232,108 7/1974 Krause D21/226
- D. 232,110 7/1974 Krause D21/226



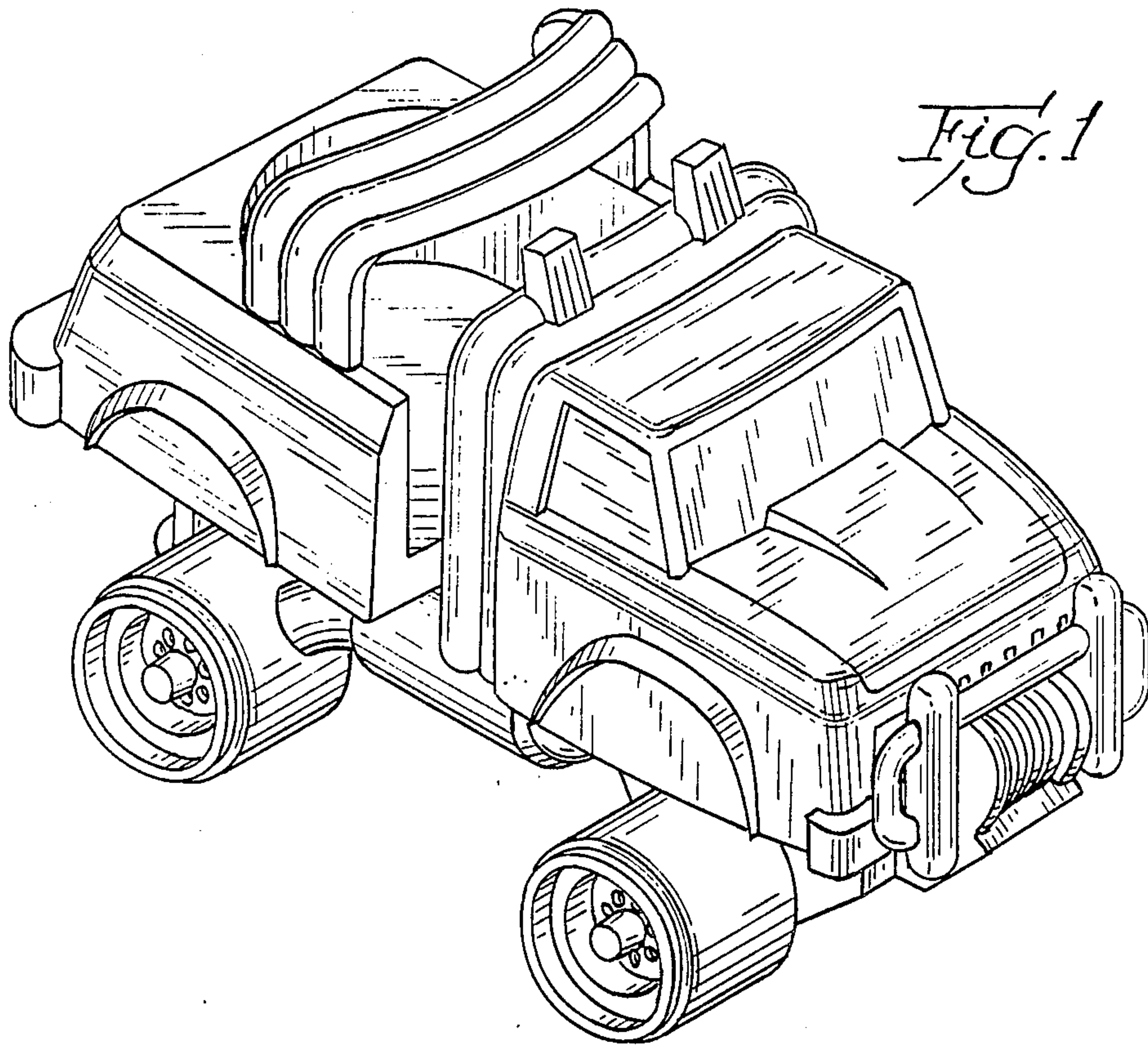


Fig. 2.

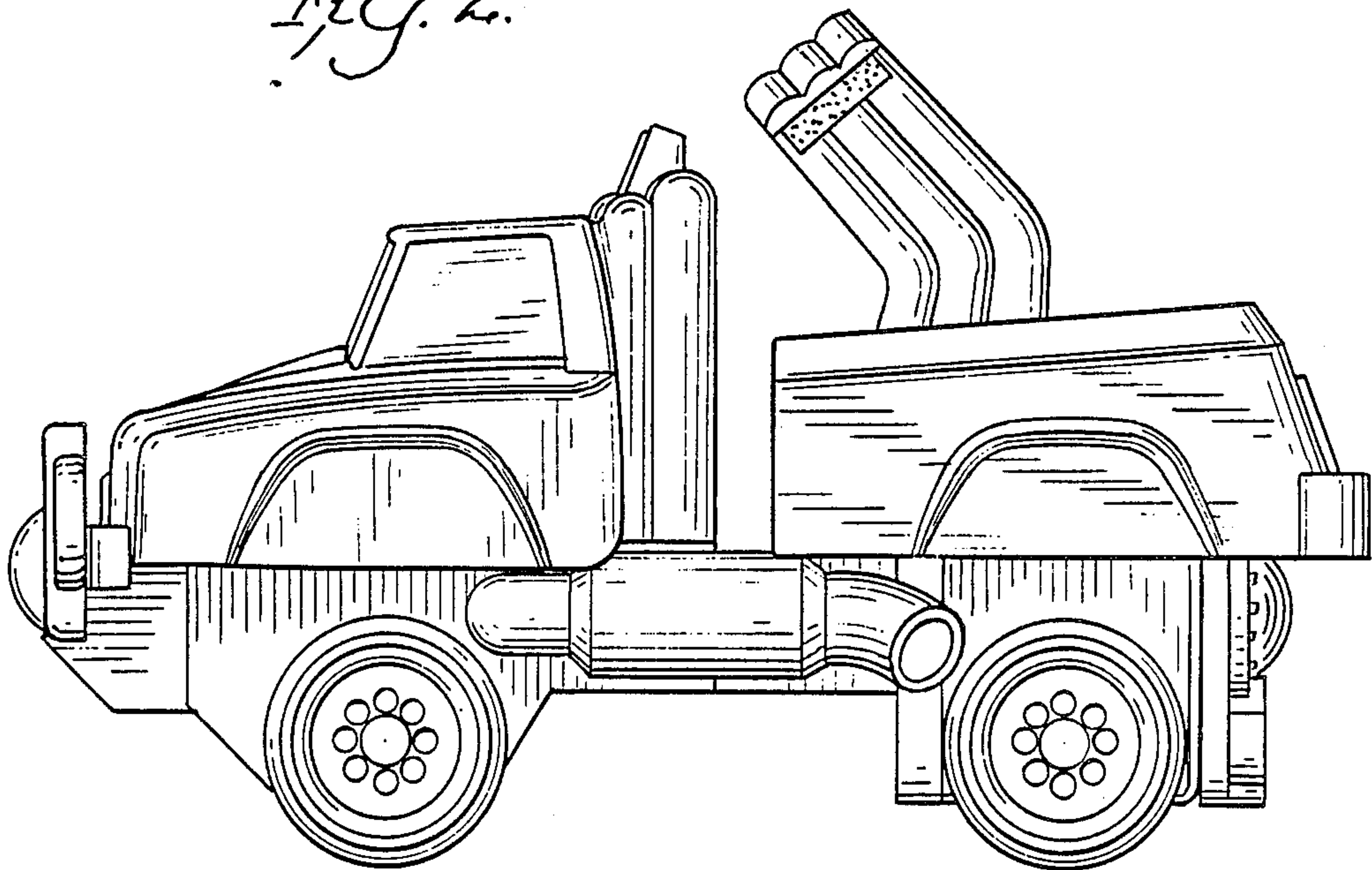


Fig. 3.

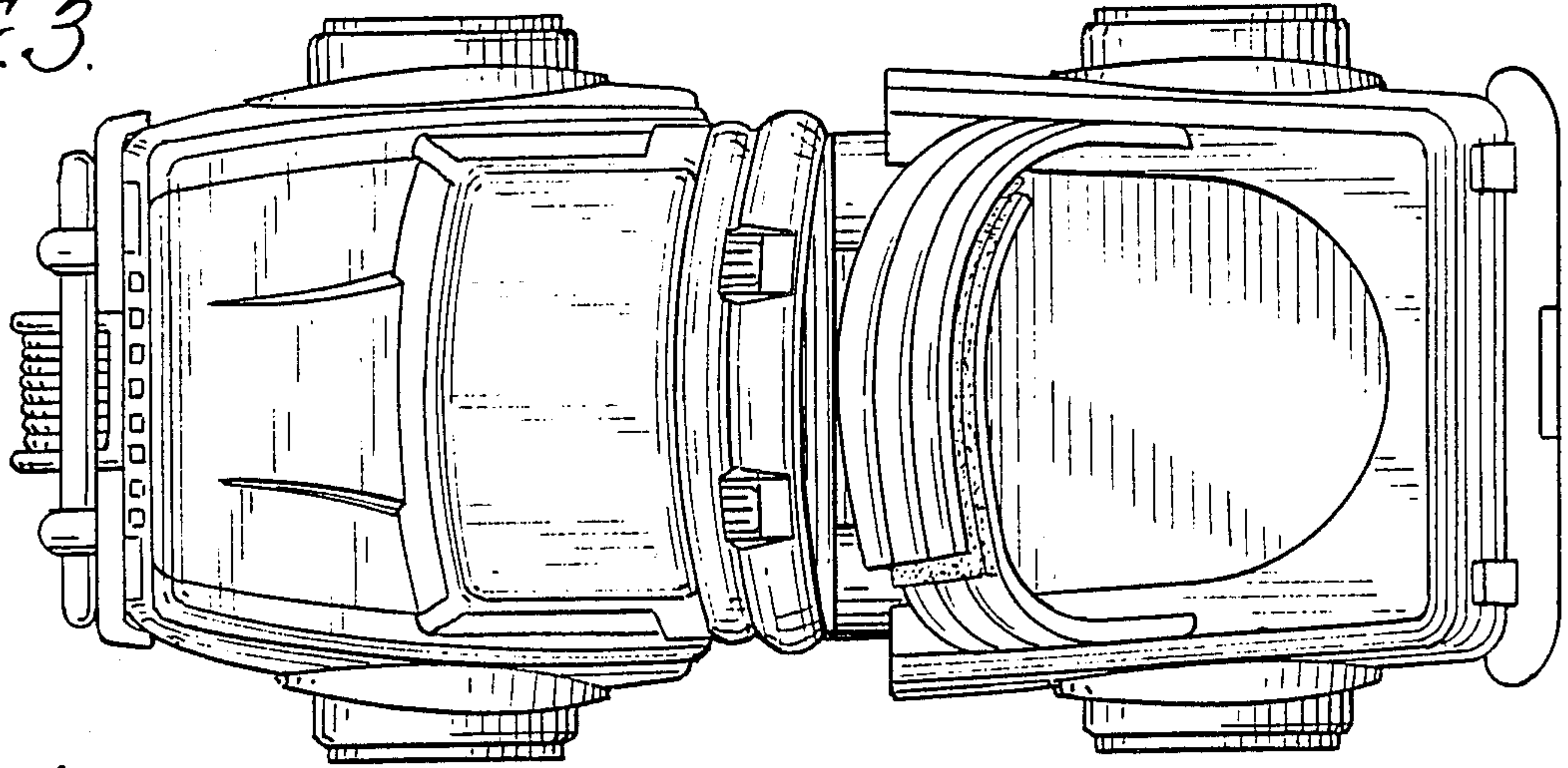


Fig. 4.

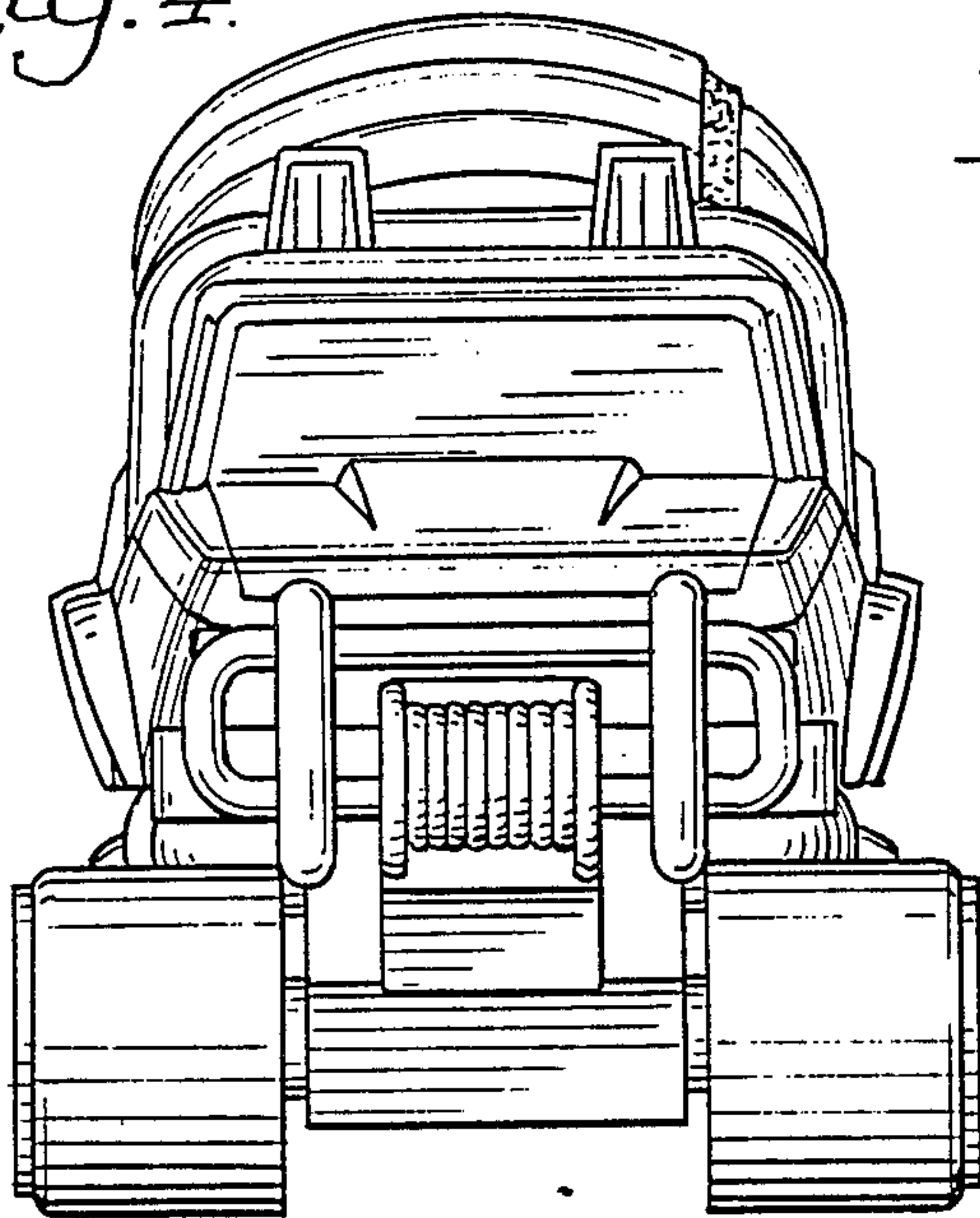


Fig. 5.

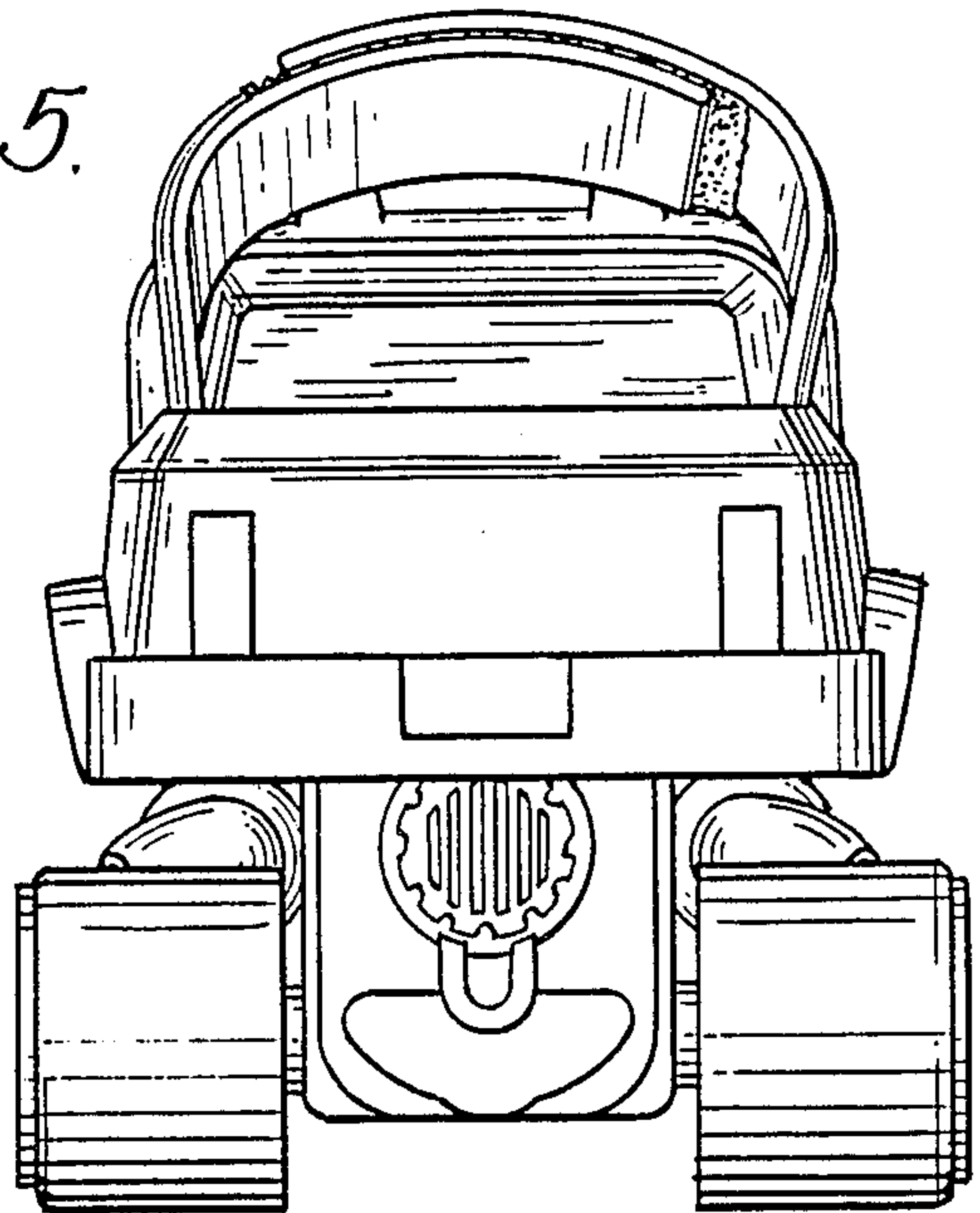


Fig. 6.

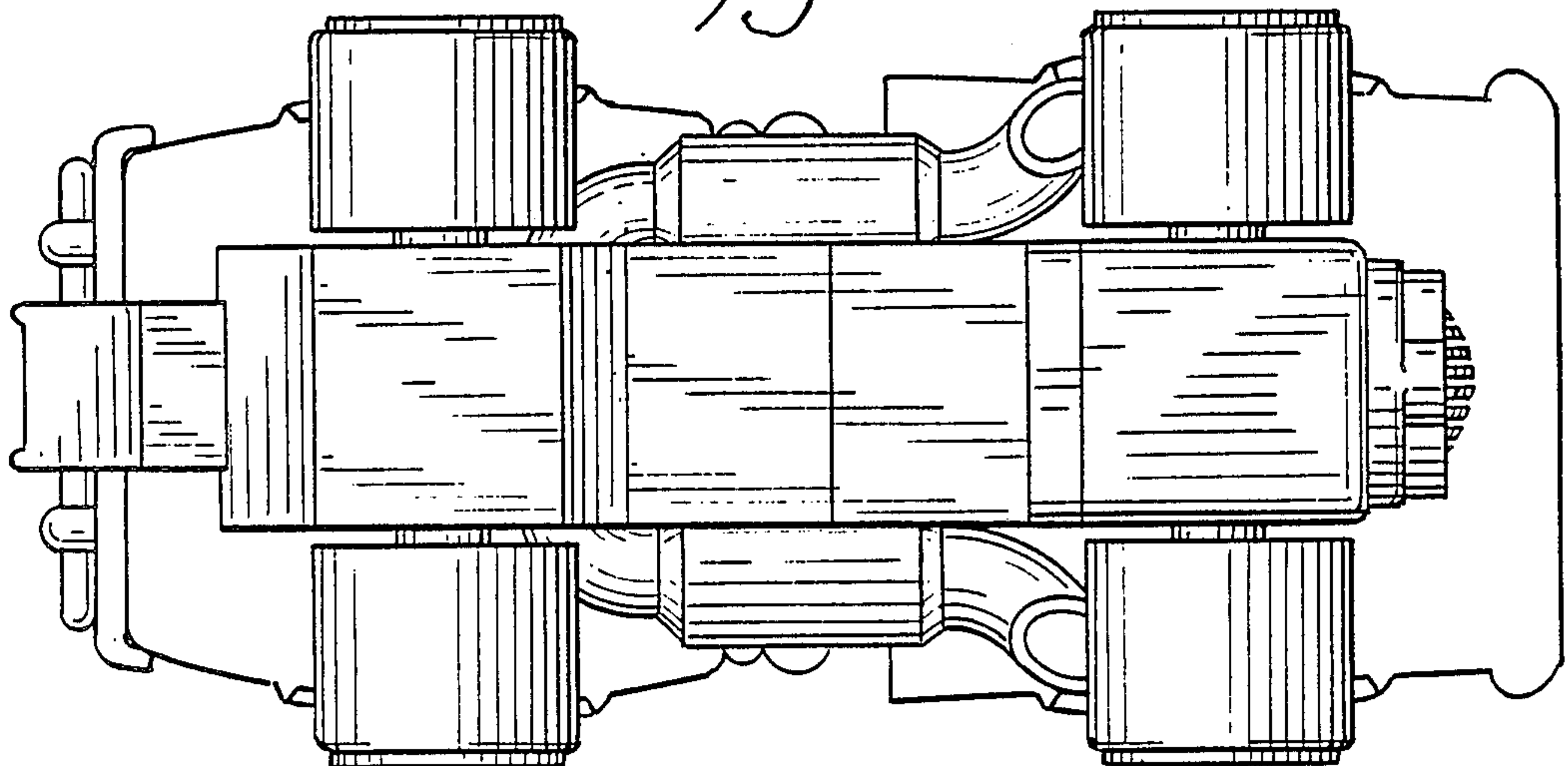


Fig. 7.

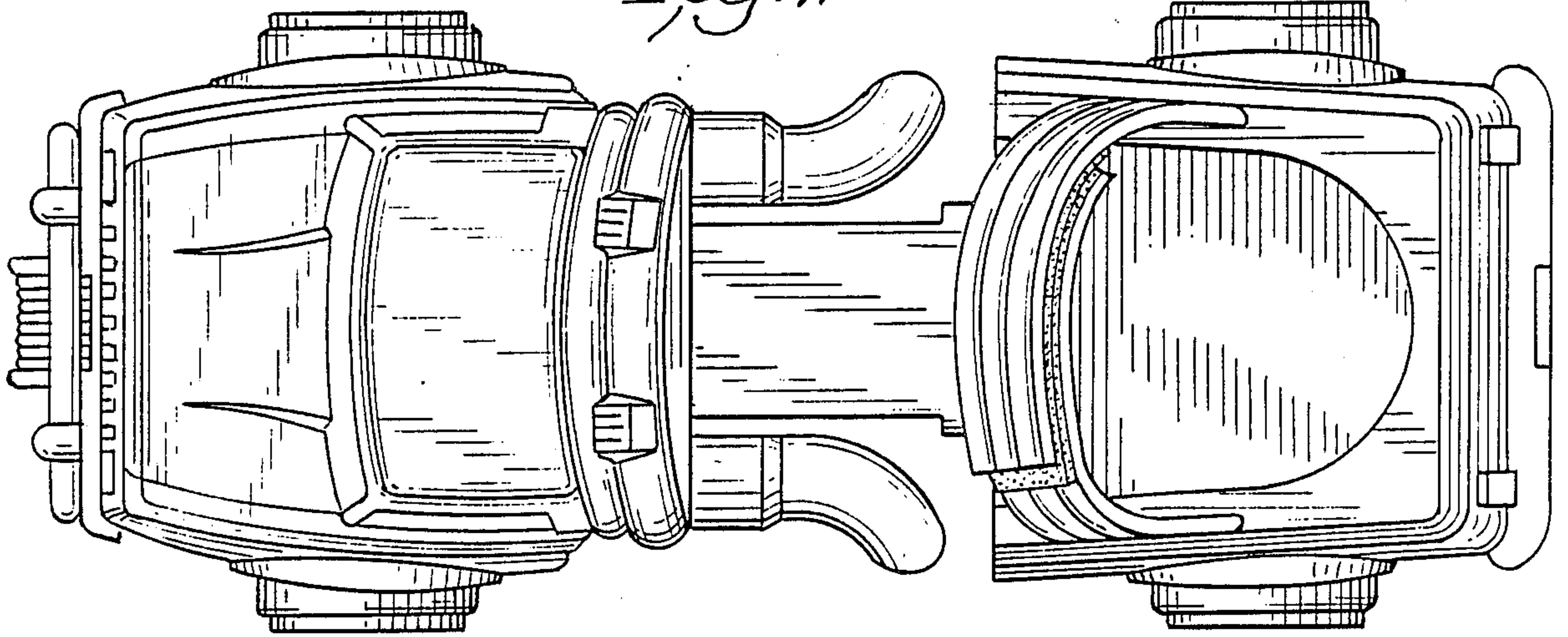


Fig. 8.

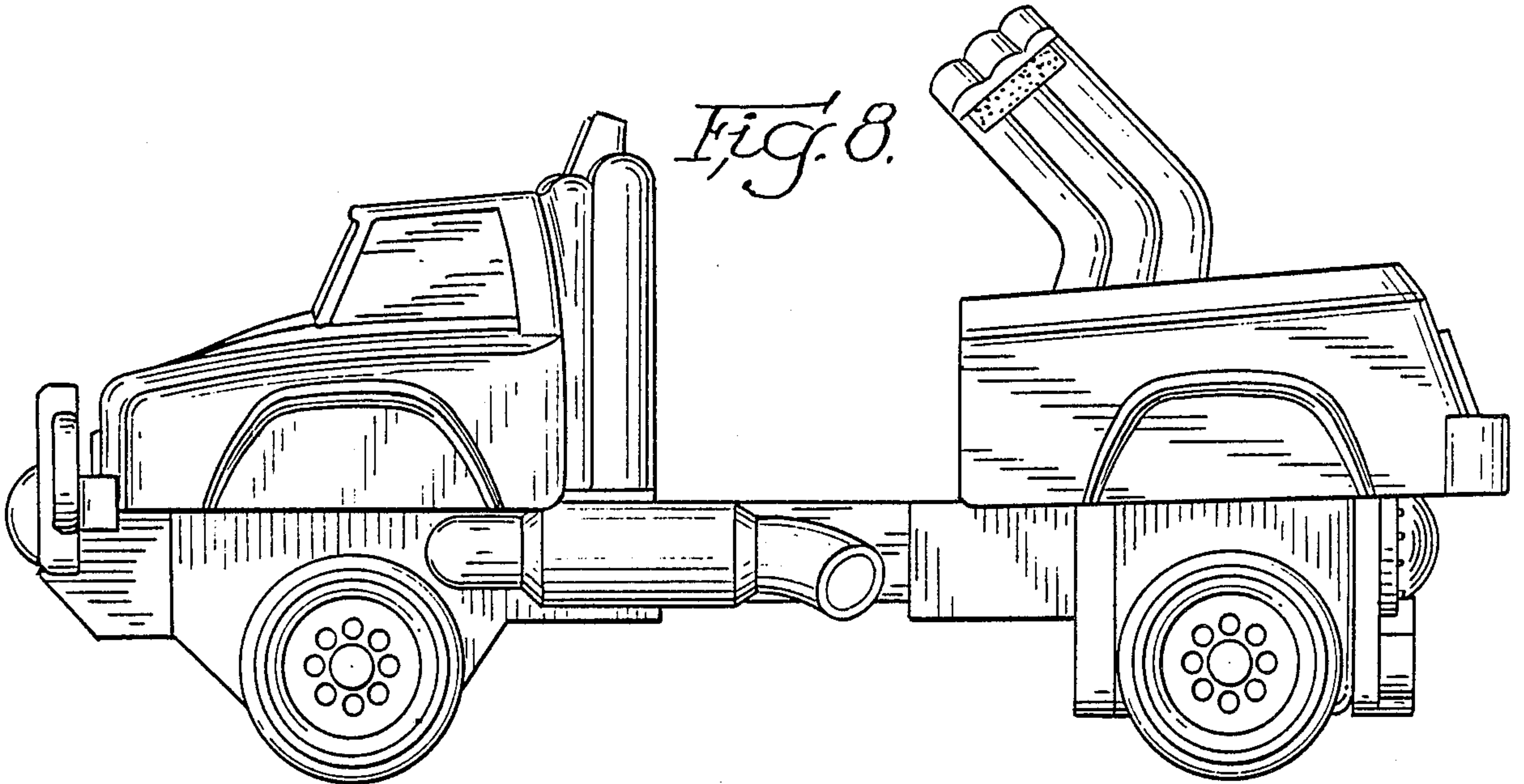


Fig. 9.

