

[54] **BICYCLE EXERCISER**  
[75] **Inventor: James R. Blackburn, Los Gatos, Calif.**  
[73] **Assignee: Blackburn Designs, Inc., Campbell, Calif.**  
[\*\*] **Term: 14 Years**  
[21] **Appl. No.: 806,851**  
[22] **Filed: Nov. 27, 1985**  
[52] **U.S. Cl. .... D21/191**  
[58] **Field of Search ..... D21/191-199;**  
**272/73; 280/293, 289; D6/449, 462;**  
**211/20-24, 13, 17**

D. 288,459 2/1987 Lee ..... D21/191  
D. 288,995 3/1987 Cooper ..... D21/191

**OTHER PUBLICATIONS**

American Bicyclist, 1-1978, rear cover Bike-Exercizer.

*Primary Examiner*—Charles A. Rademaker  
*Attorney, Agent, or Firm*—Robert O. Guillot

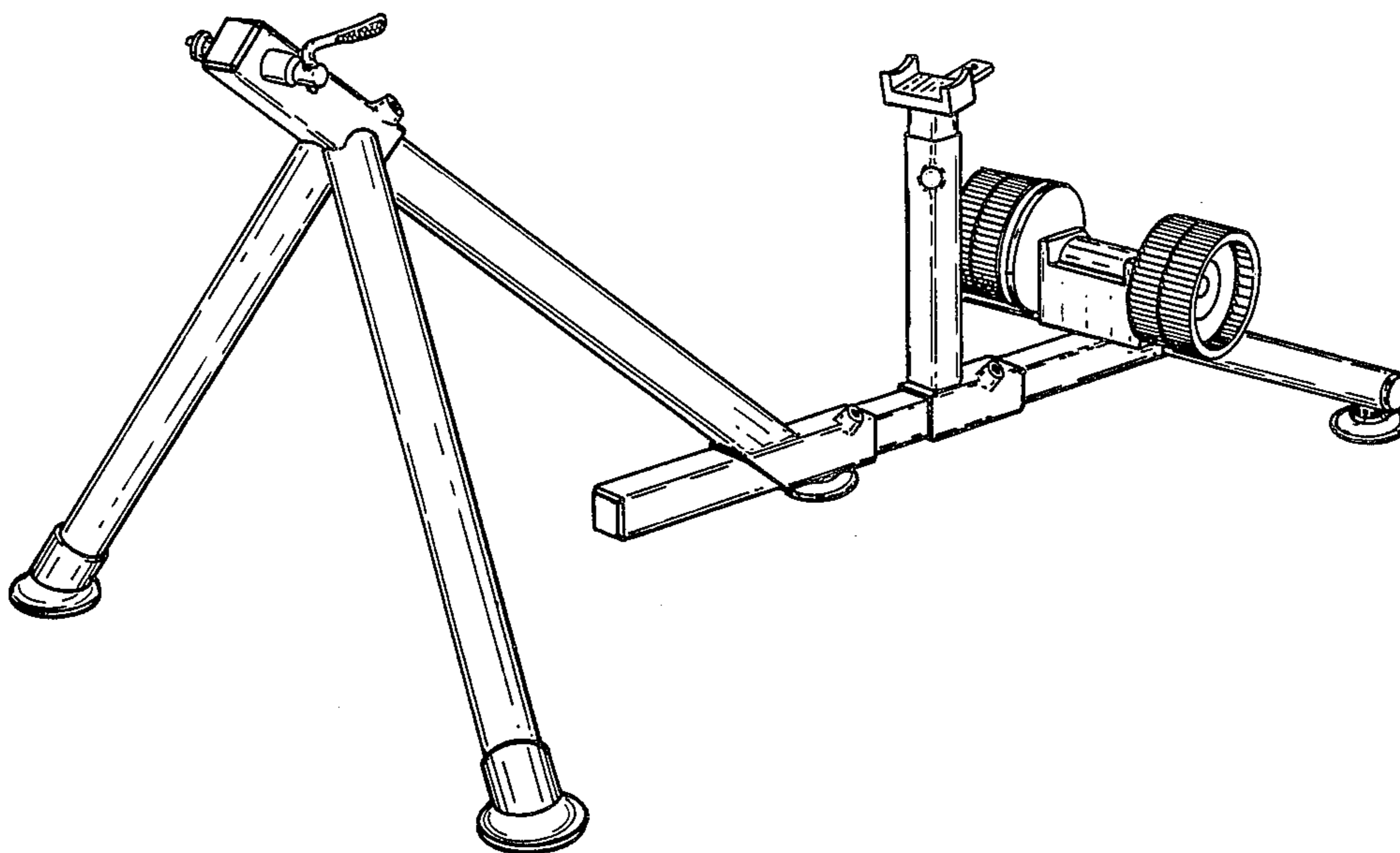
[57] **CLAIM**

The ornamental design for a bicycle exerciser, as shown and described.

**DESCRIPTION**

FIG. 1 is a perspective view of a bicycle exerciser showing my new design;  
FIG. 2 is a top plan view thereof;  
FIG. 3 is a side elevational view thereof;  
FIG. 4 is a front elevational view thereof; and,  
FIG. 5 is a rear elevational view thereof.

[56] **References Cited**  
**U.S. PATENT DOCUMENTS**  
D. 273,882 5/1984 Bryne ..... D21/191



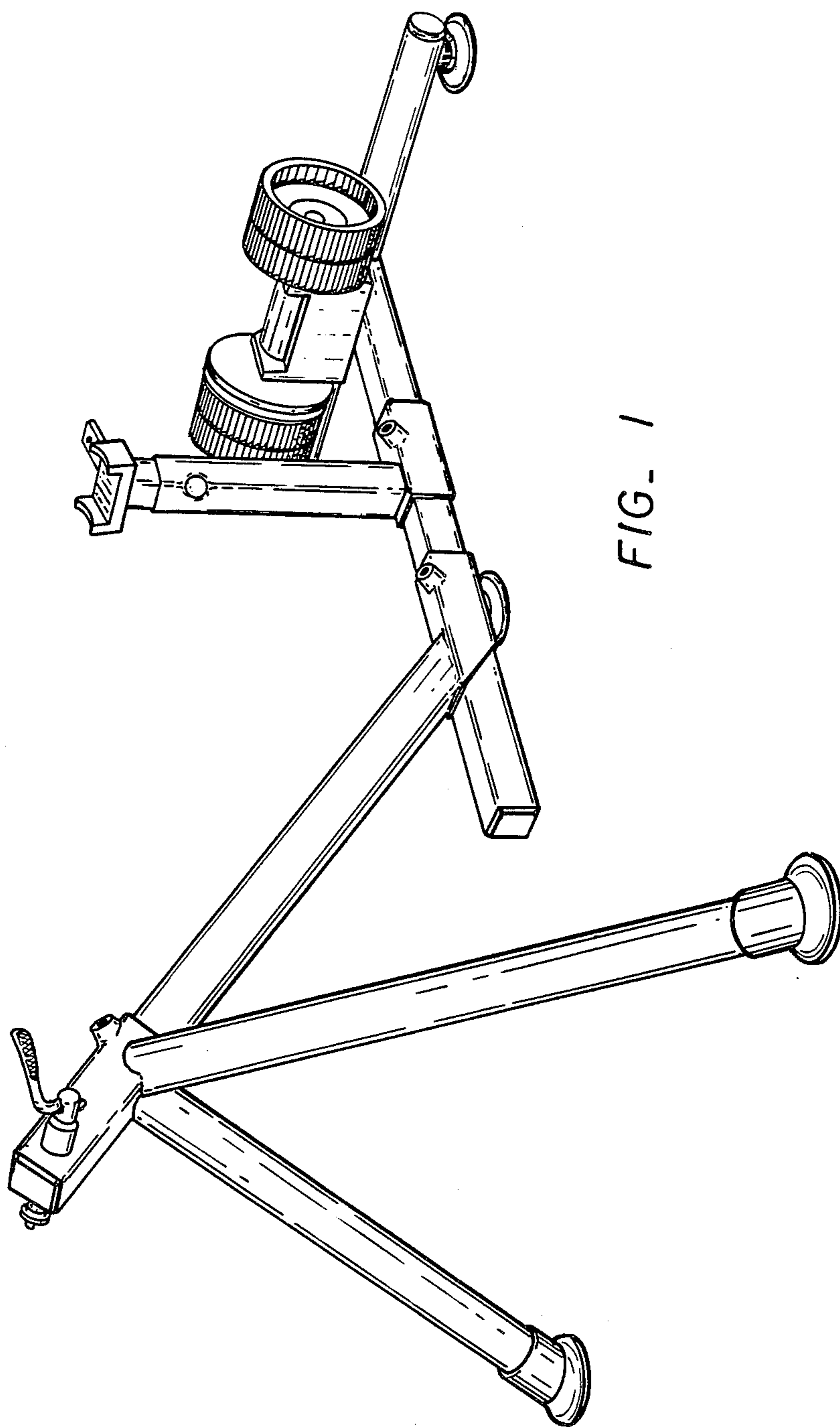
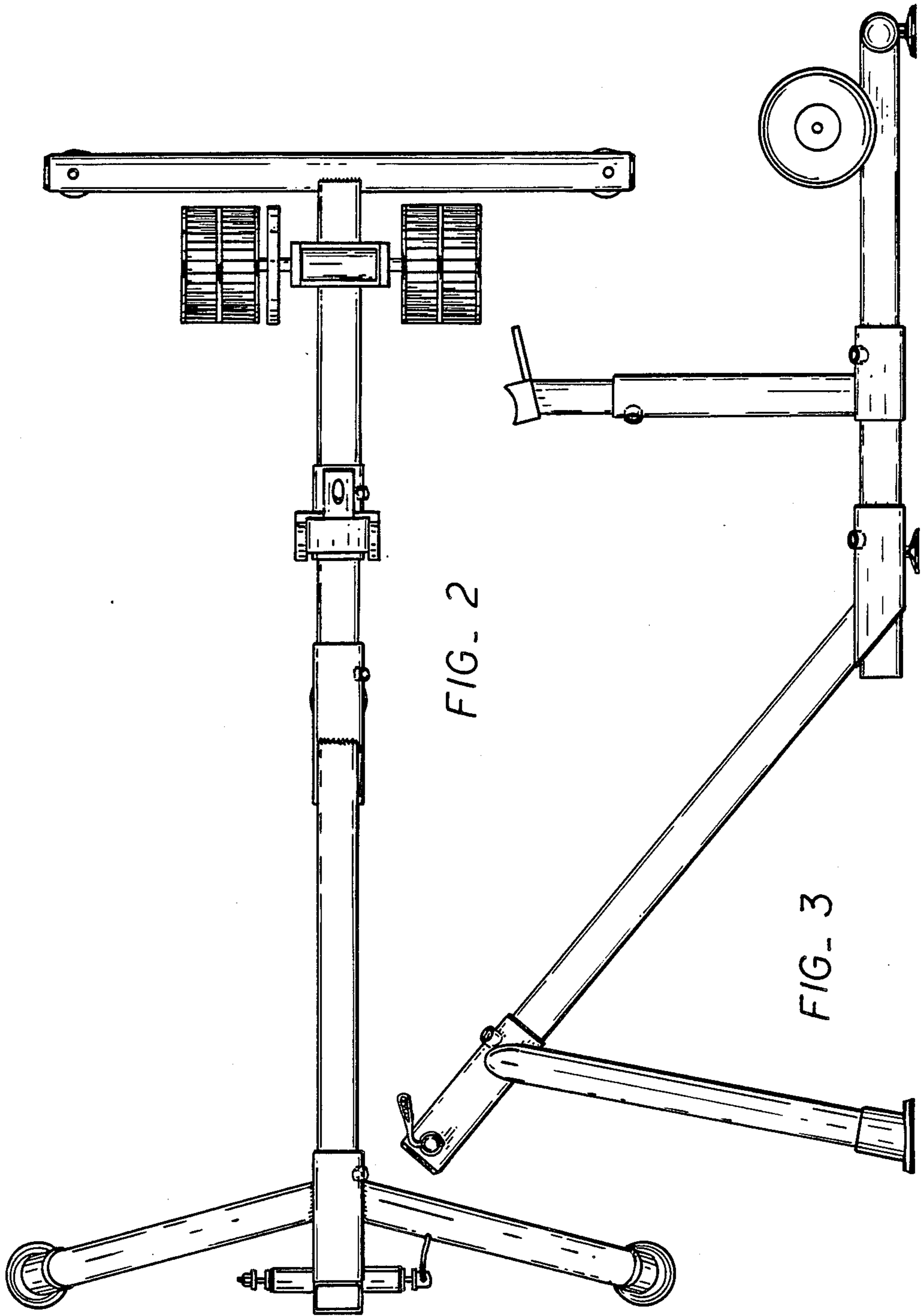


FIG. 1



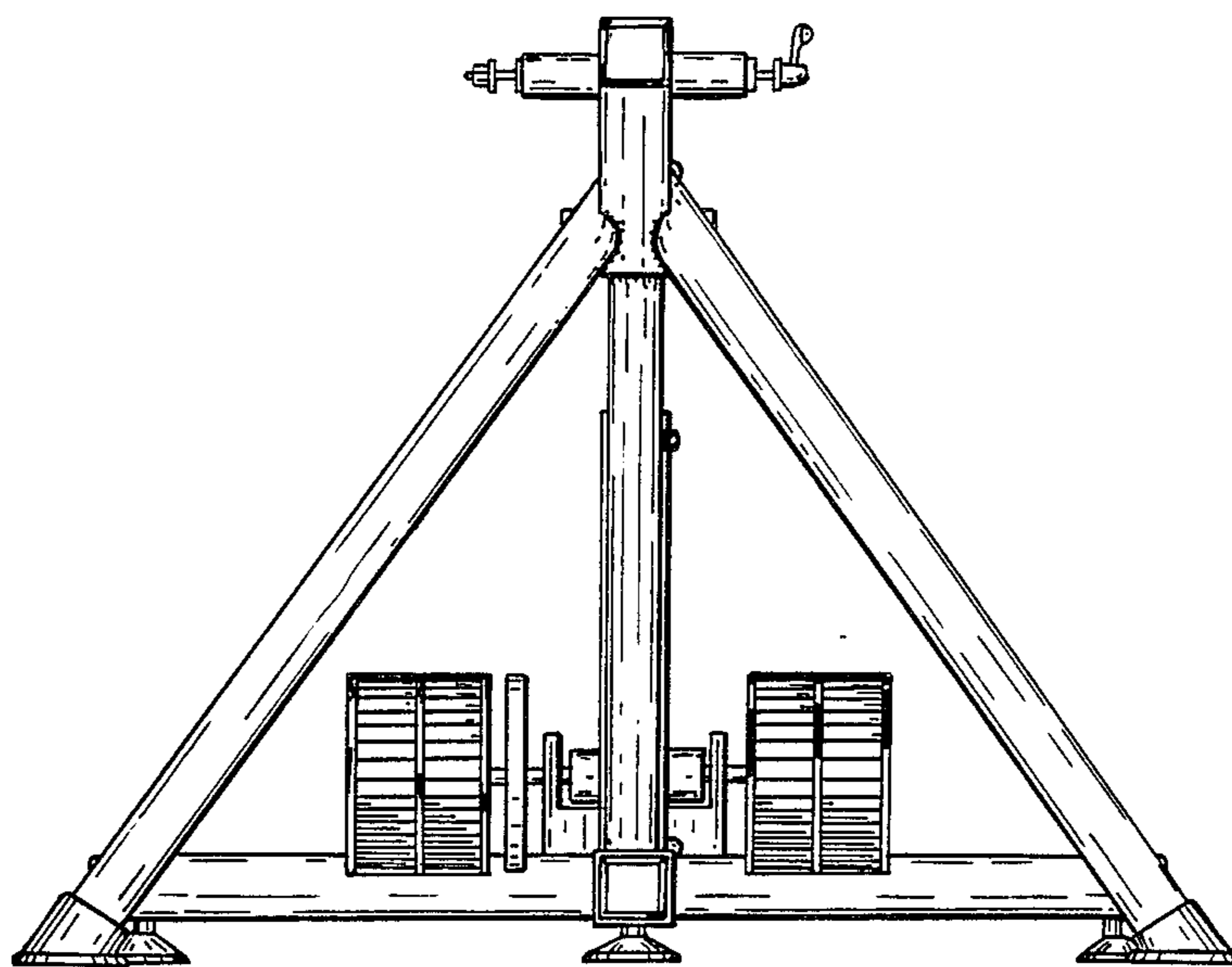


FIG. 4

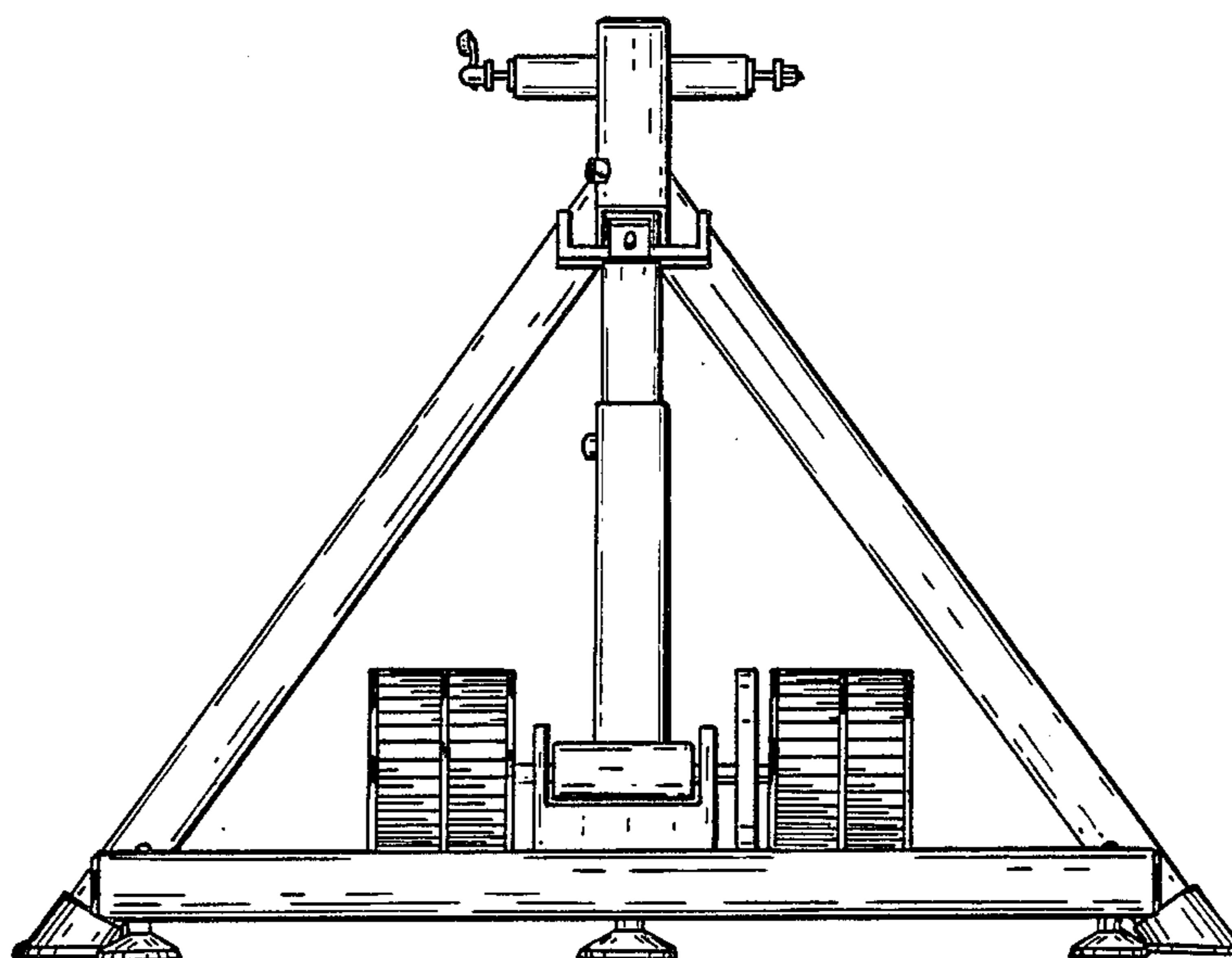


FIG. 5