

[54] PHOTOGRAPHIC MASKING AND ENLARGING EASEL

[76] Inventor: Charles Page, CH-1030 Villars-Ste-Croix, Switzerland

[\*\*] Term: 14 Years

[21] Appl. No.: 778,379

[22] Filed: Sep. 20, 1985

[30] Foreign Application Priority Data

Mar. 28, 1985 [CH] Switzerland ..... 114376

[52] U.S. Cl. .... D16/27; D16/29 X

[58] Field of Search ..... D16/27, 29, 33, 38; D19/52; 355/74; D10/61-63

[56] References Cited

U.S. PATENT DOCUMENTS

- D. 123,245 10/1940 Moore ..... D16/29
- D. 147,317 8/1947 Breen ..... D16/29
- 1,728,102 9/1929 Caps ..... D16/27 X

- 2,166,878 7/1939 Rodriguez ..... 355/74
- 2,256,894 9/1944 Chadkin ..... 355/74
- 3,371,576 3/1968 Miller ..... D16/27 X
- 4,150,895 4/1979 Northrup ..... 355/74
- 4,190,357 2/1980 Kostiner ..... 355/74

Primary Examiner—Nelson C. Holtje  
Attorney, Agent, or Firm—Abelman Fayne Rezac & Schwab

[57] CLAIM

The ornamental design for a photographic masking and enlarging easel, as shown and described.

DESCRIPTION

FIG. 1 is a top and right front perspective view of photographic masking and enlargement easel showing my new design;  
 FIG. 2 is a top-front perspective view thereof;  
 FIG. 3 is top and right front perspective view thereof, with the easel in this open position.  
 The left side is identical to the right and the bottom is plain and unornamented.

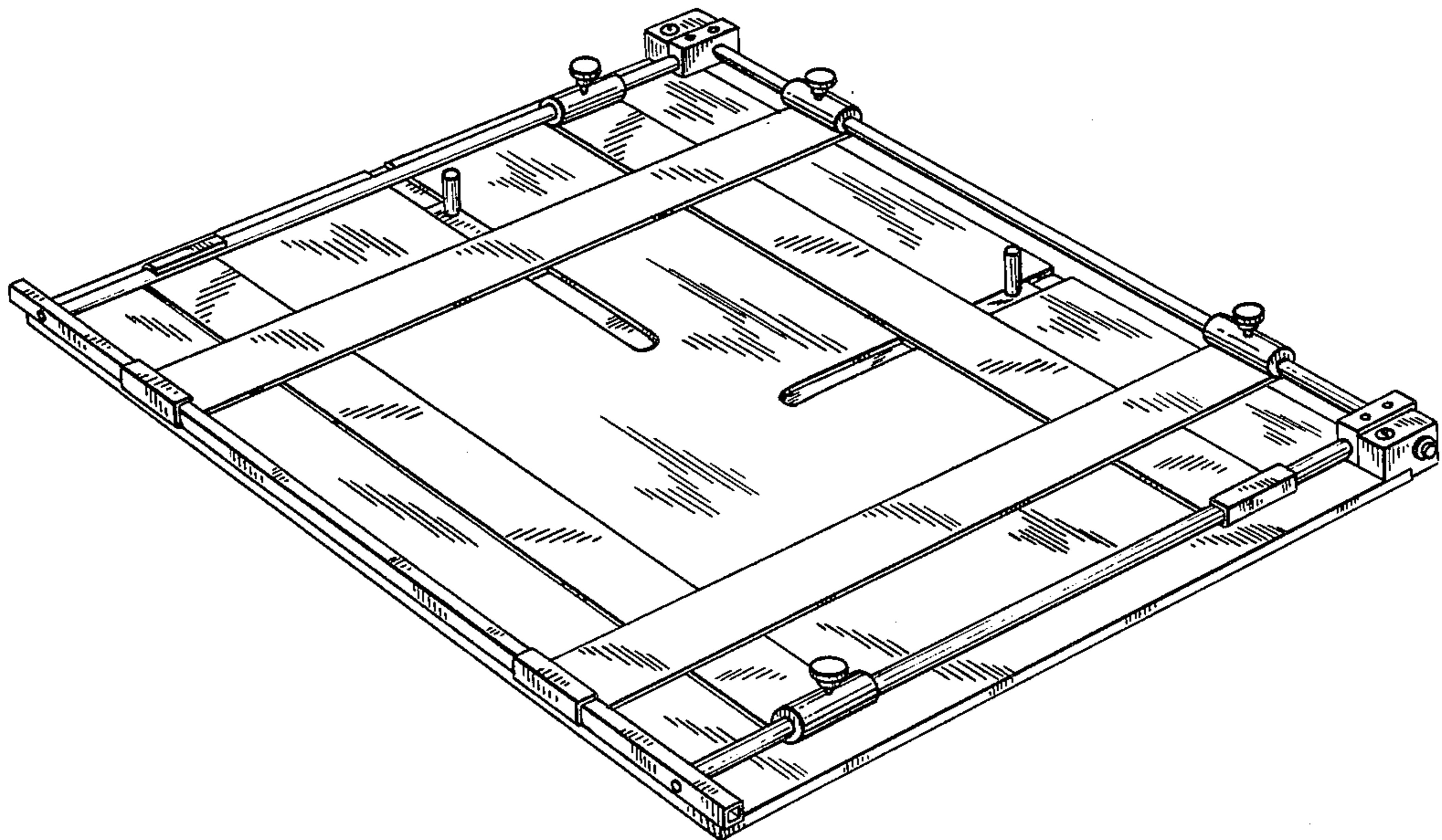
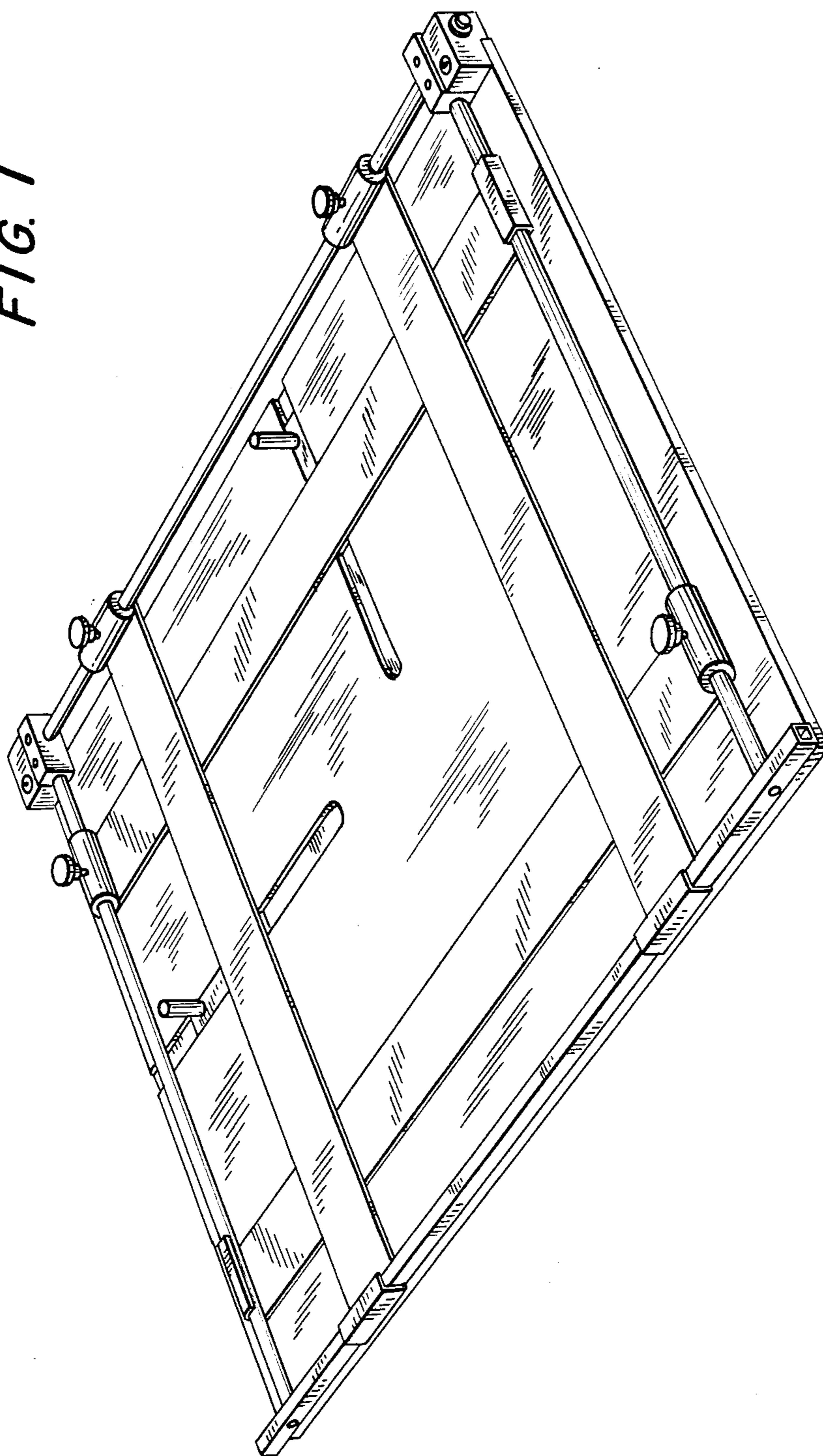


FIG. 1



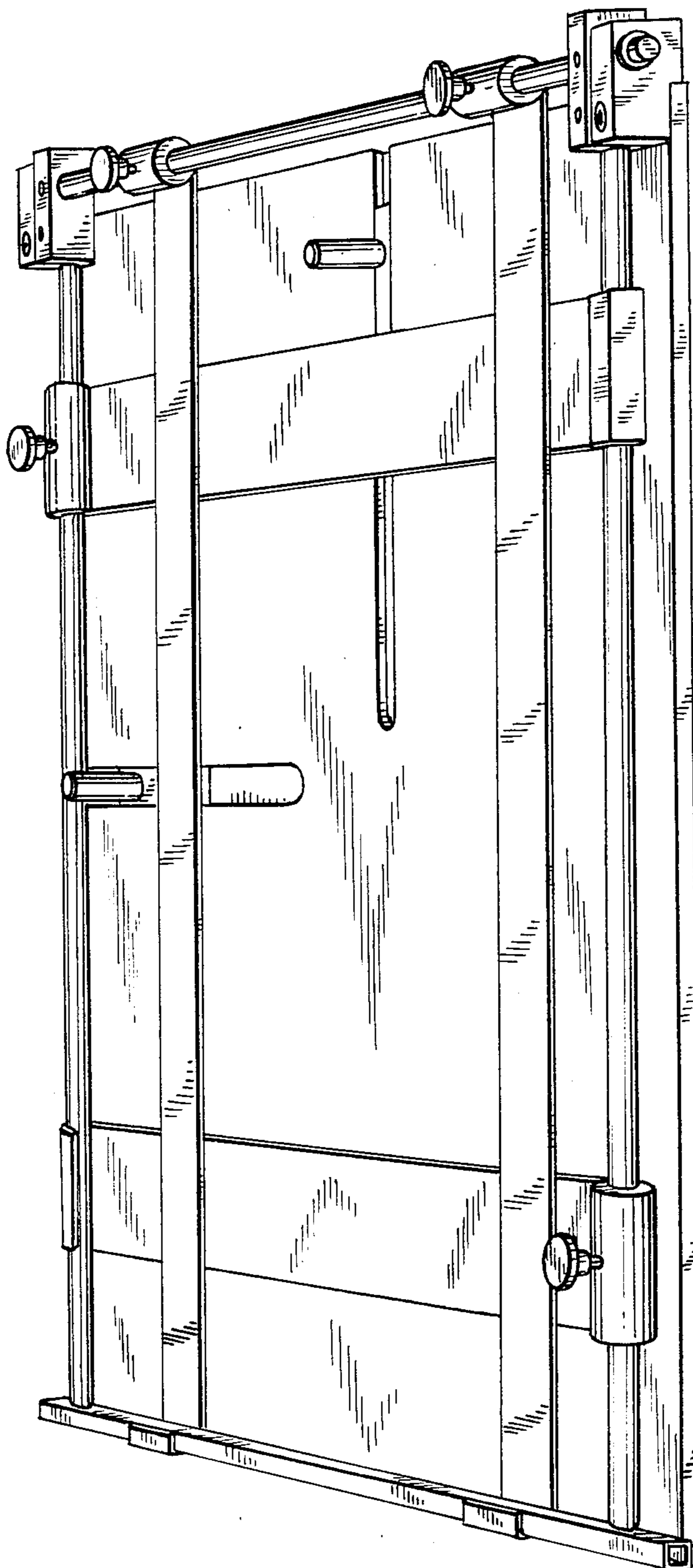


FIG. 2

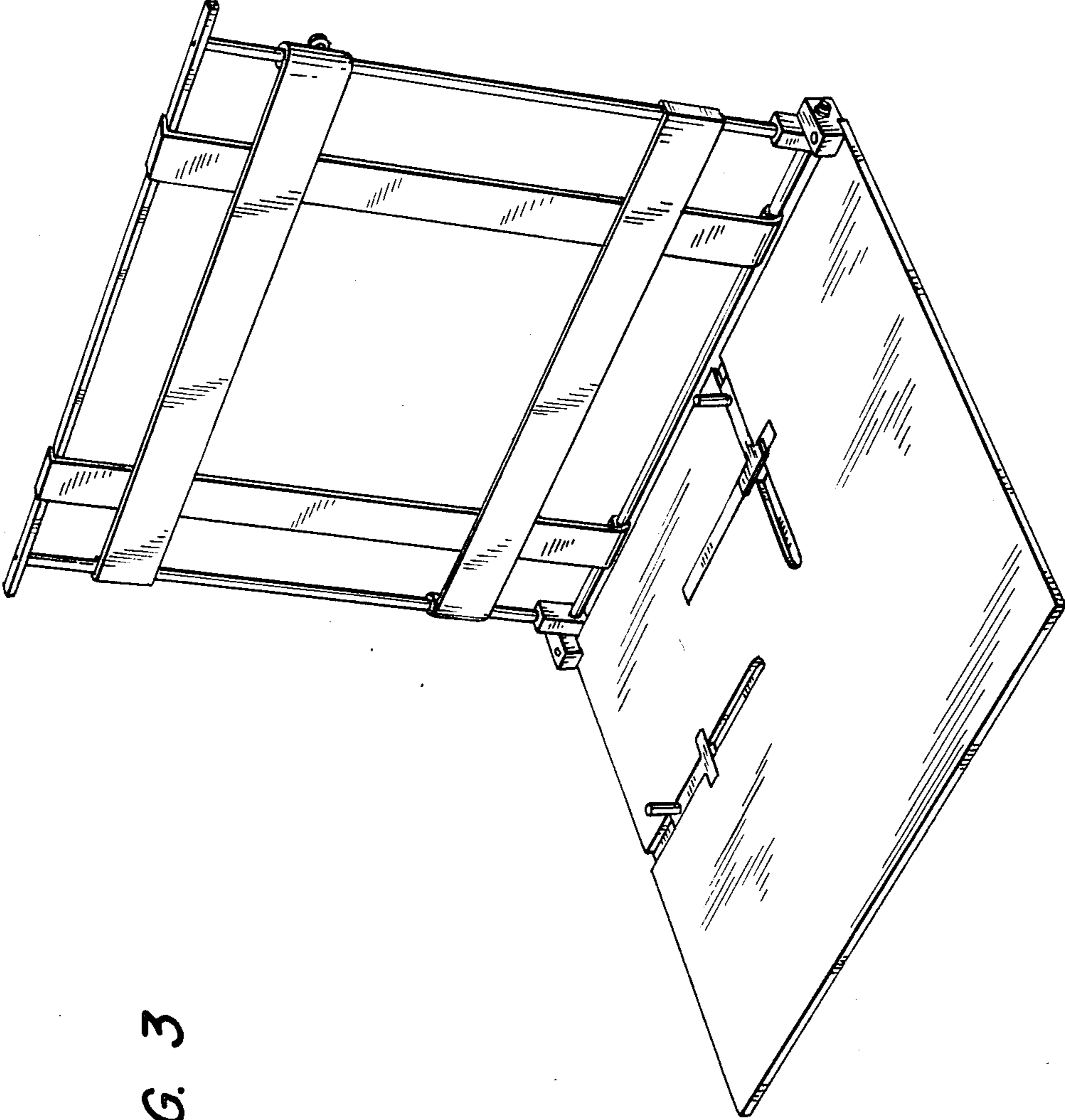


FIG. 3