

[54] HAY RAKE

3,145,522 8/1964 Zink ..... 56/377

[76] Inventor: Hendricus C. van Staveren,  
Eug.Prévinairweg 36, 2151 BG  
Nieuw Vennep, Netherlands

Primary Examiner—Wallace R. Burke  
Assistant Examiner—Ruth Takemoto  
Attorney, Agent, or Firm—John P. Snyder

[\*\*] Term: 14 Years

[57] CLAIM

[21] Appl. No.: 833,757

The ornamental design for a hay rake, as shown.

[22] Filed: Feb. 18, 1986

DESCRIPTION

[52] U.S. Cl. .... D15/27

[58] Field of Search ..... D15/10-13,  
D15/27-29, 33; 172/19-20, 282, 287, 314,  
445.1, 695-696, 527, 540, 545, 557, 579, 671,  
676, 643, 689; 56/13.6, 192, 249, 366, 371,  
376-377, 396, 400

FIG. 1 is a perspective view of a hay rake showing my new design;

FIG. 2 is a top plan view thereof;

FIG. 3 is a side elevational view thereof;

FIG. 4 is a rear elevational view thereof;

FIG. 5 is a top plan view thereof, in an alternate position;

FIG. 6 is a side elevational view thereof;

FIG. 7 is a top plan view thereof, in another alternate position.

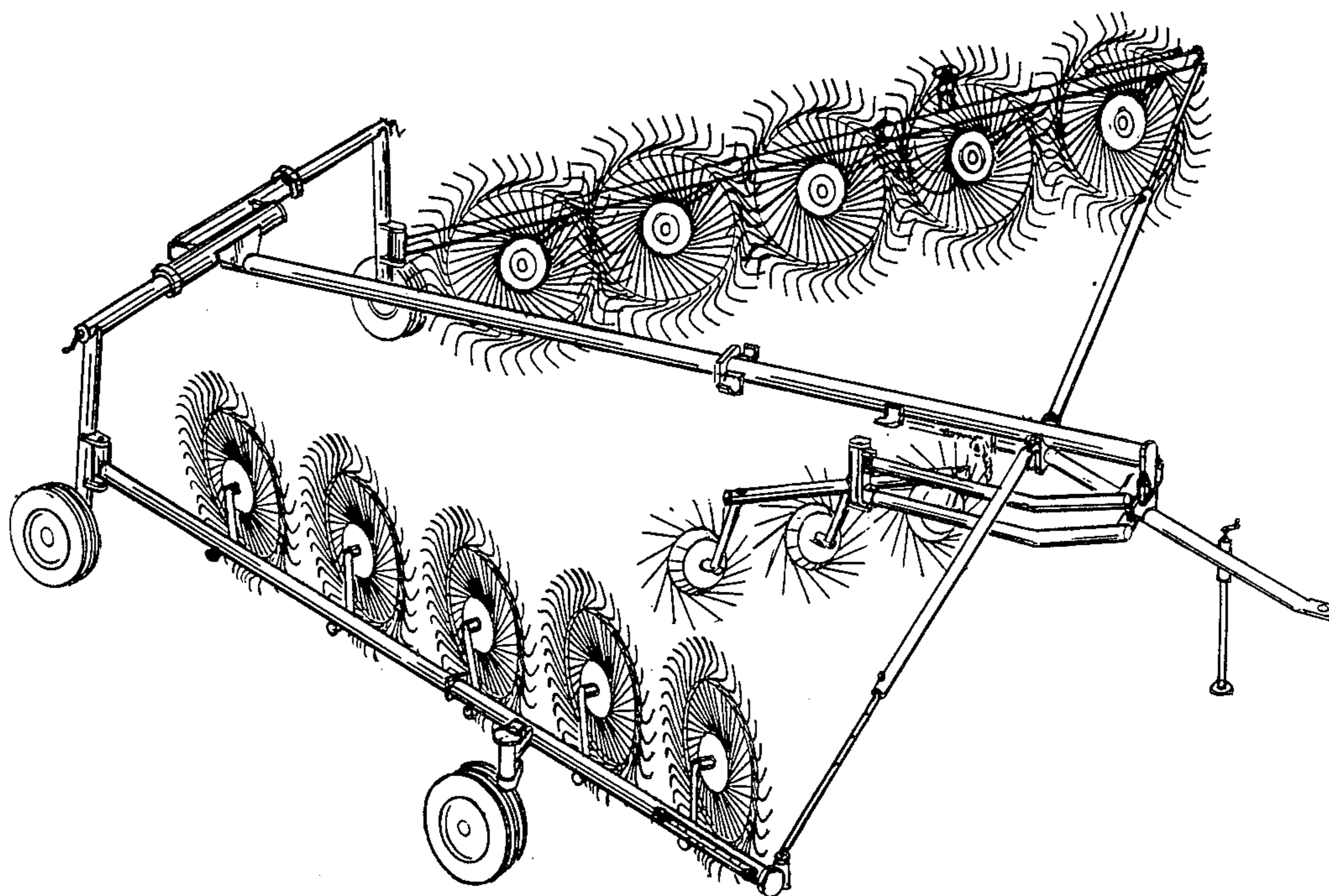
FIG. 8 is a side elevational view thereof; and

FIG. 9 is a rear elevational view thereof.

[56] References Cited

U.S. PATENT DOCUMENTS

2,819,578	1/1958	Wuster .....	56/366
2,893,192	7/1959	Tallman .....	56/377
3,127,726	4/1964	Lely et al. ....	56/366



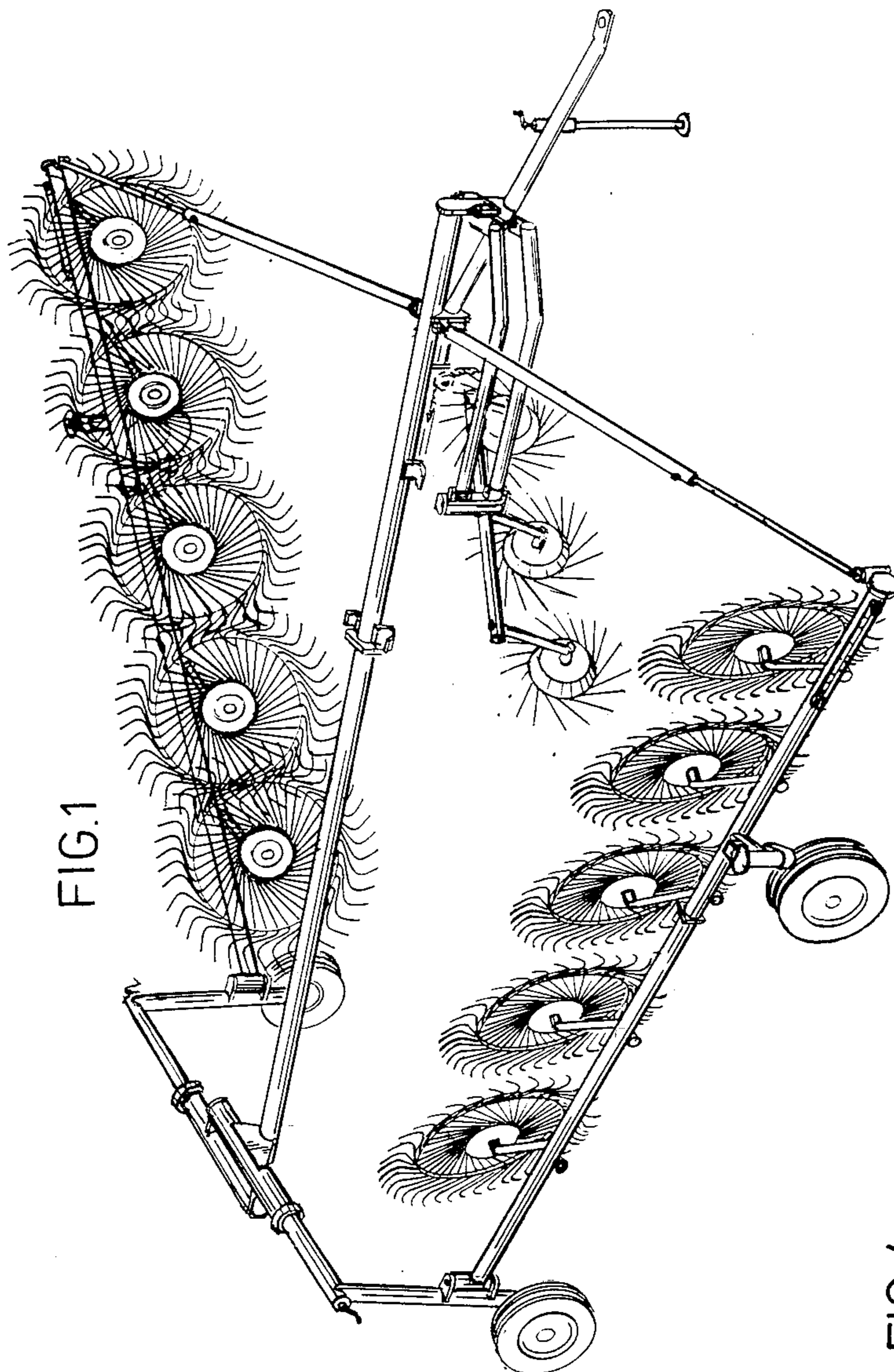


FIG. 1

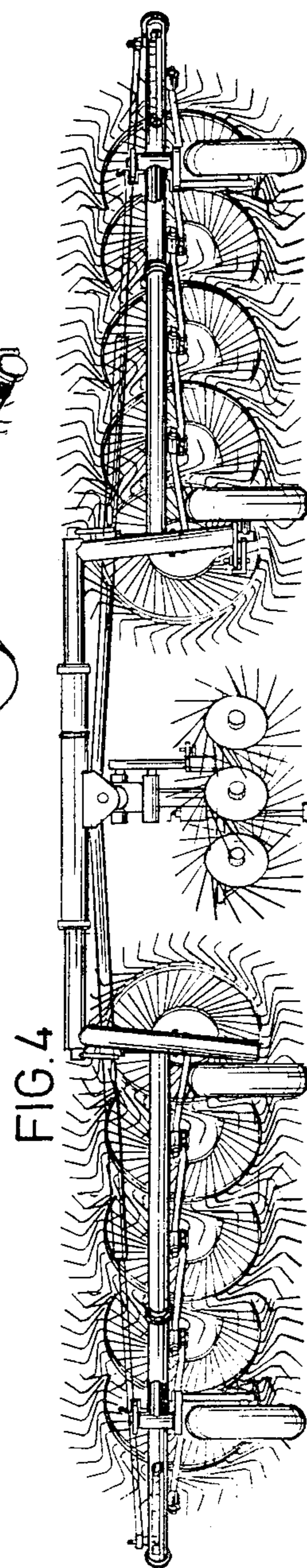


FIG. 4

FIG. 2

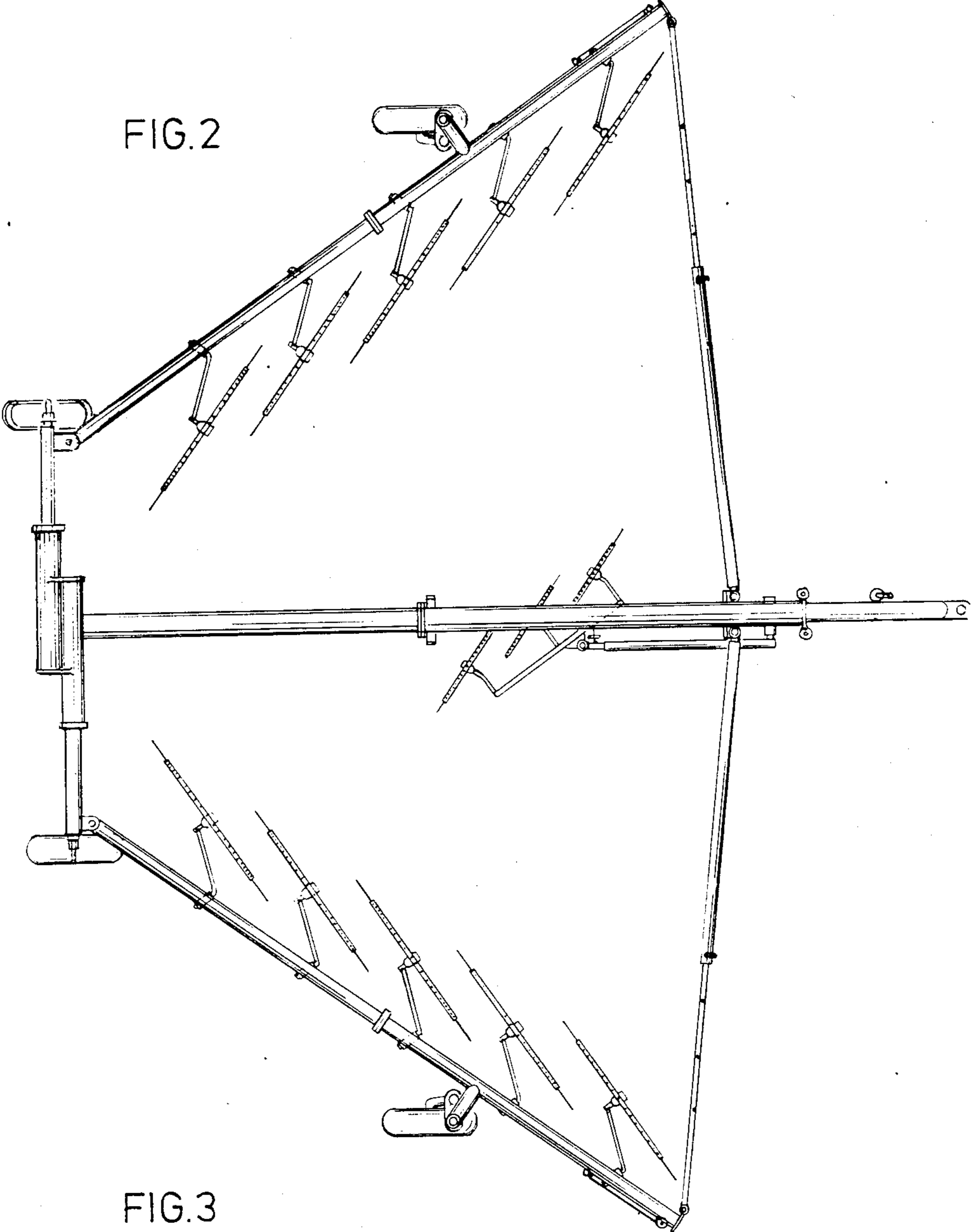


FIG. 3

