

[54] **THATCHER UNIT**  
 [75] Inventor: **Robert L. Starr**, Springfield, Ohio  
 [73] Assignee: **Parker Sweeper Company**,  
 Springfield, Ohio  
 [\*\*] Term: **14 Years**  
 [21] Appl. No.: **844,756**  
 [22] Filed: **Mar. 14, 1986**

4,317,327 0/1982 Doering .  
 4,330,042 5/1982 Duckworth ..... 172/643  
 4,472,930 9/1984 Smith ..... 56/396

**OTHER PUBLICATIONS**

Carson Turf Comb (1964).

*Primary Examiner*—Wallace R. Burke  
*Assistant Examiner*—Ruth Takemoto  
*Attorney, Agent, or Firm*—Jacox & Meckstroth

[57] **CLAIM**

The ornamental design of a thatcher unit, as shown and described.

**Related U.S. Application Data**

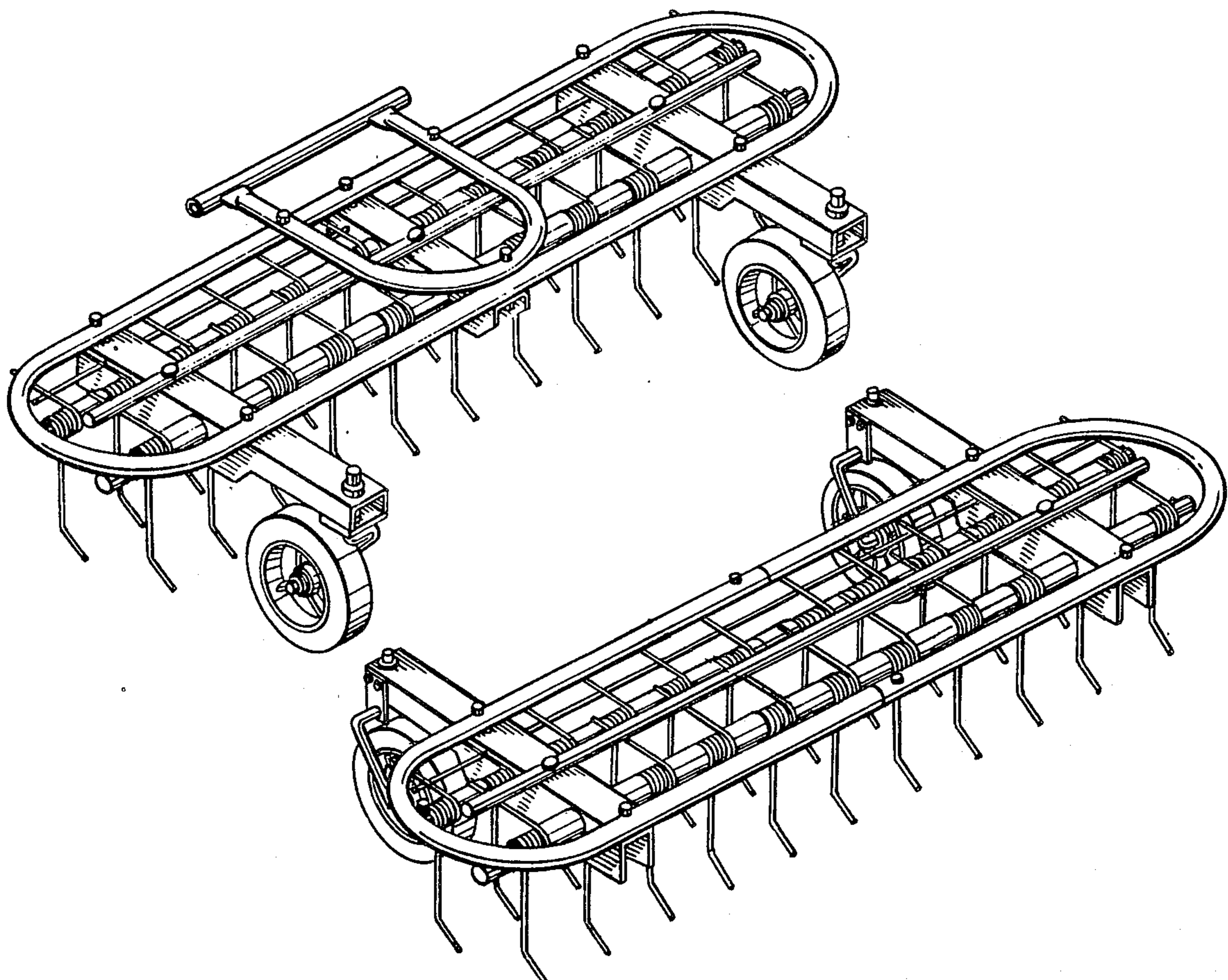
[63] Continuation-in-part of Ser. No. 658,684, Oct. 9, 1984, abandoned.  
 [52] U.S. Cl. .... **D15/27**  
 [58] Field of Search ..... **D15/10-13,**  
**D15/27-29, 33; 172/19-20, 282, 287, 314,**  
**445.1, 695-696, 527, 540, 545, 557, 579, 671,**  
**676, 643, 689; 56/13.6, 192, 249, 366, 371,**  
**376-377, 396, 400**

**DESCRIPTION**

FIG. 1 is a perspective view of a thatcher unit showing my new design;  
 FIG. 2 is a top plan view thereof;  
 FIG. 3 is a front elevational view thereof;  
 FIG. 4 is a bottom plan view thereof;  
 FIG. 5 is a rear elevational view thereof;  
 FIG. 6 is an end elevational view thereof;  
 FIG. 7 is an end elevational view thereof, of the opposite side of FIG. 6;  
 FIG. 8 is a perspective view of a second embodiment thereof;  
 FIG. 9 is a top plan view thereof;  
 FIG. 10 is a front elevational view thereof;  
 FIG. 11 is a bottom plan view thereof;  
 FIG. 12 is a rear elevational view thereof;  
 FIG. 13 is an end elevational view thereof; and,  
 FIG. 14 is an end elevational view thereof, of the opposite side of FIG. 13.

[56] **References Cited**  
**U.S. PATENT DOCUMENTS**

D. 195,863 8/1963 Breed et al. .... D15/27  
 D. 261,889 11/1981 C Ricci et al. .... D15/27  
 D. 282,261 1/1986 Doering ..... D15/27  
 2,143,402 1/1939 Baker .  
 2,156,729 5/1939 Krause ..... 172/689  
 2,751,741 8/1956 Carson .  
 3,016,958 1/1962 Knapp et al. .... 172/643  
 3,107,476 10/1963 Wathen ..... 56/377  
 3,765,159 10/1973 Neff ..... 56/396  
 3,774,694 11/1973 Bates ..... 172/643



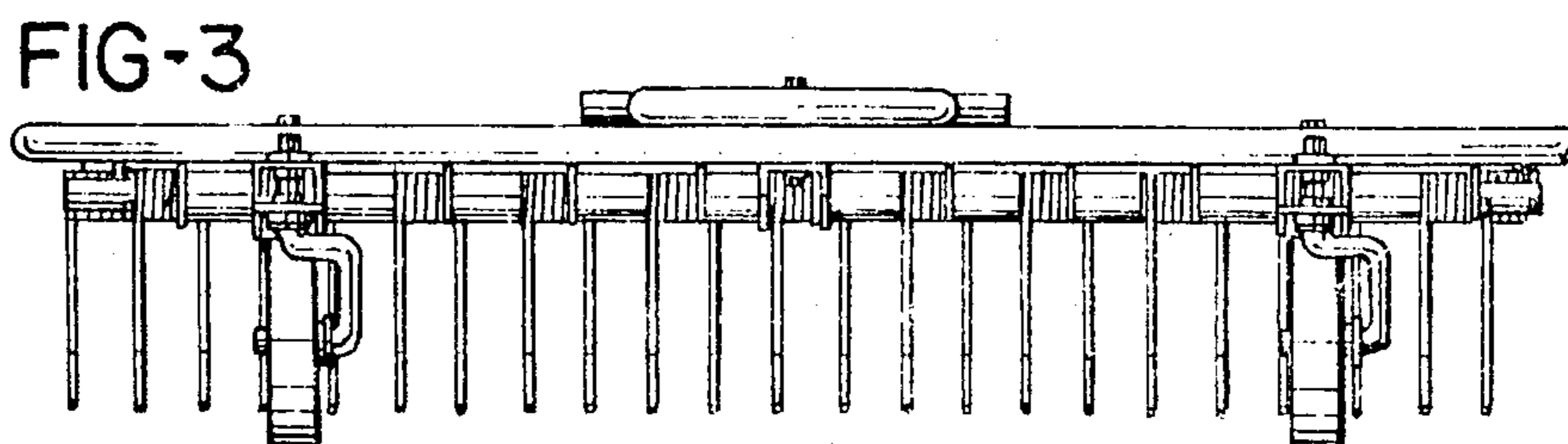
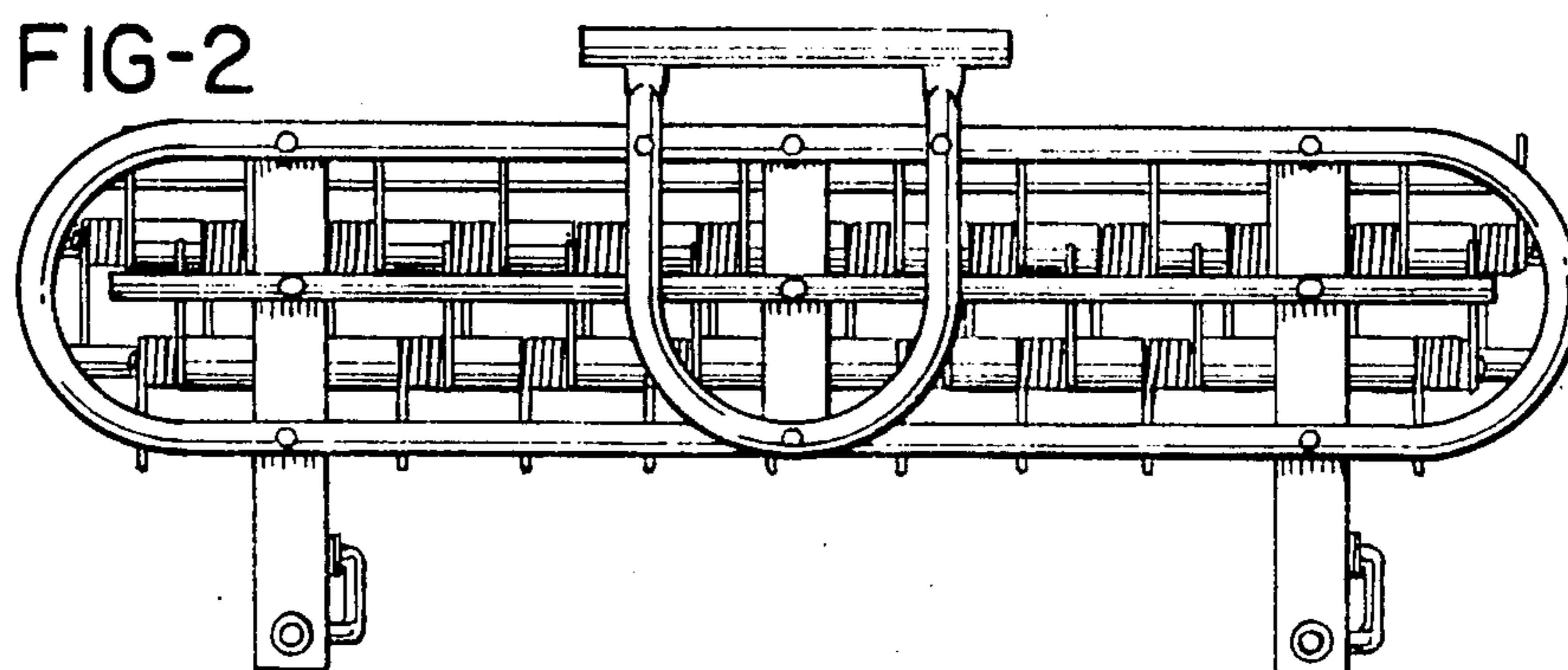
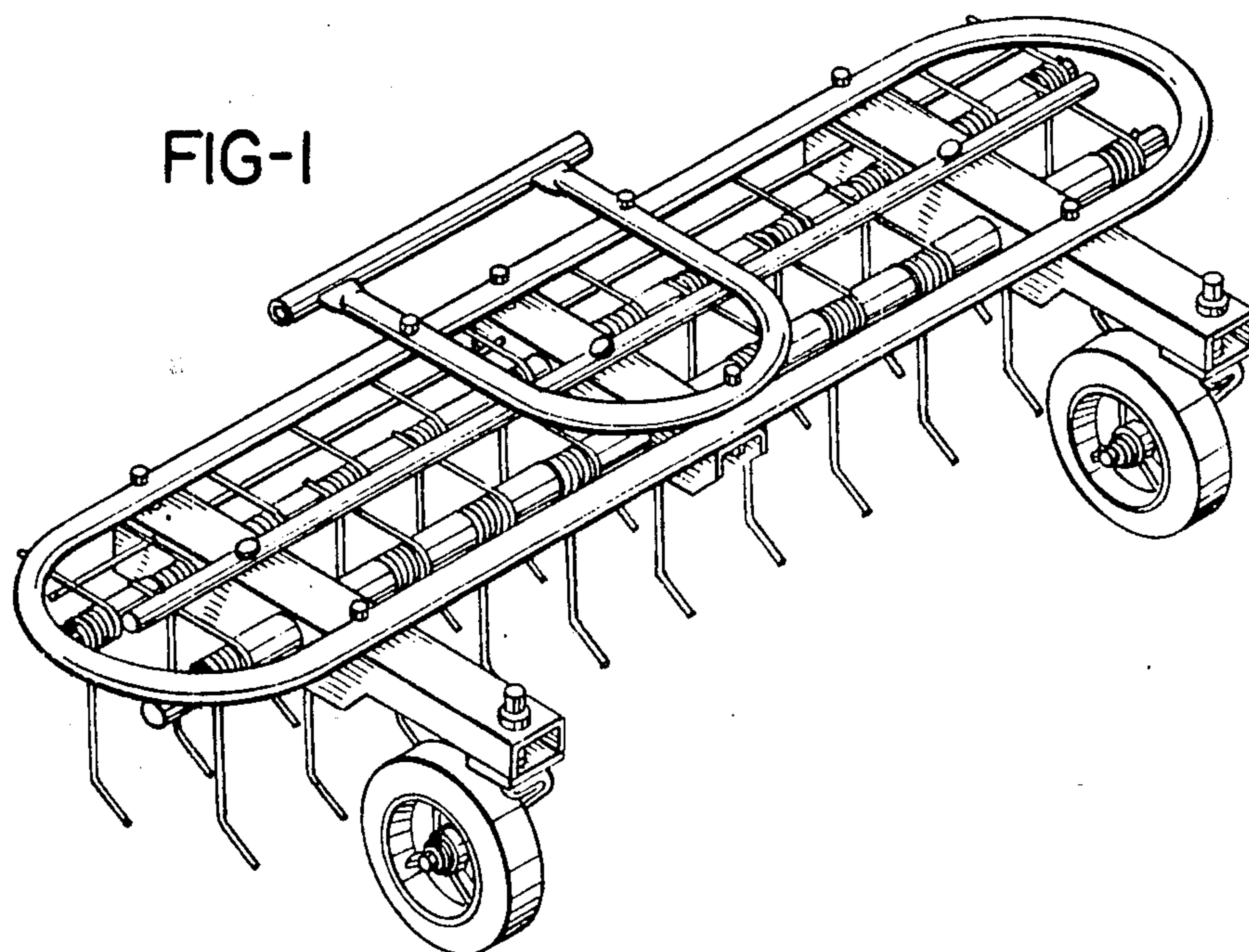


FIG-4

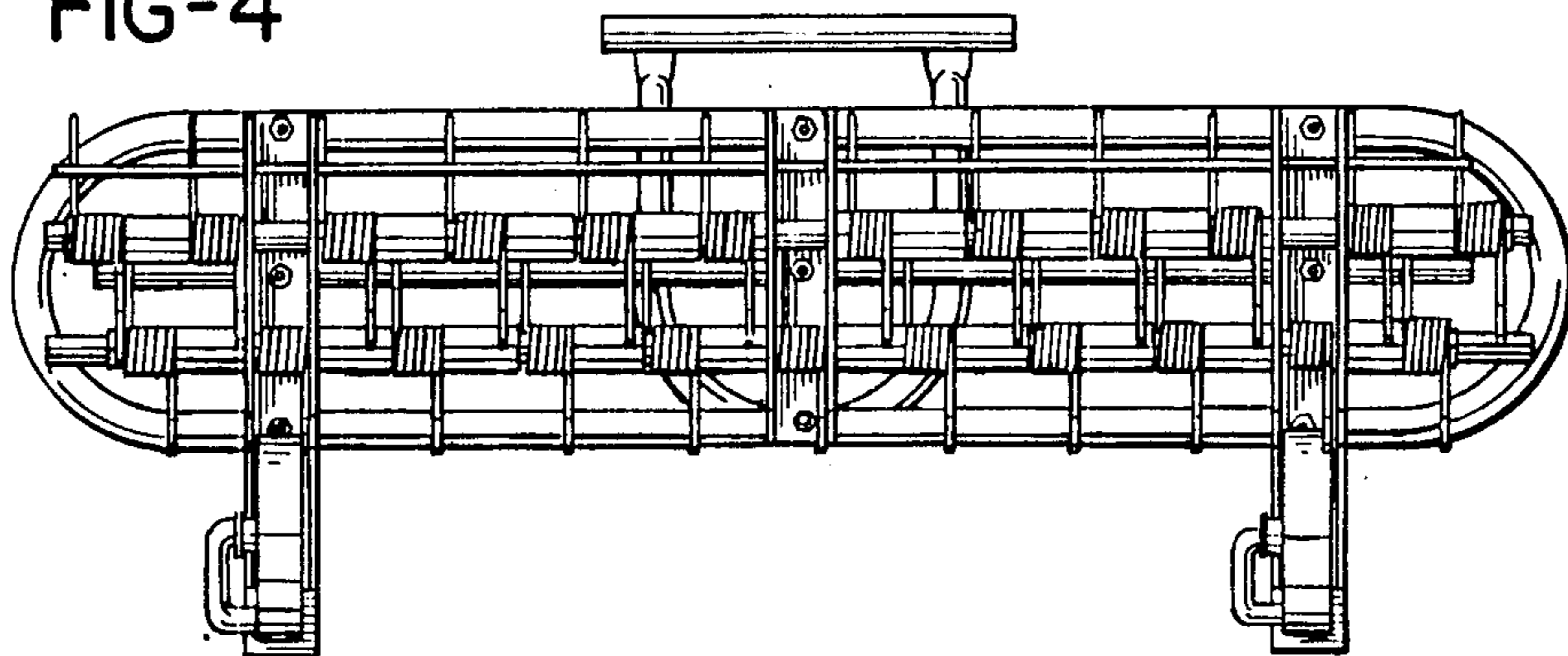


FIG-5

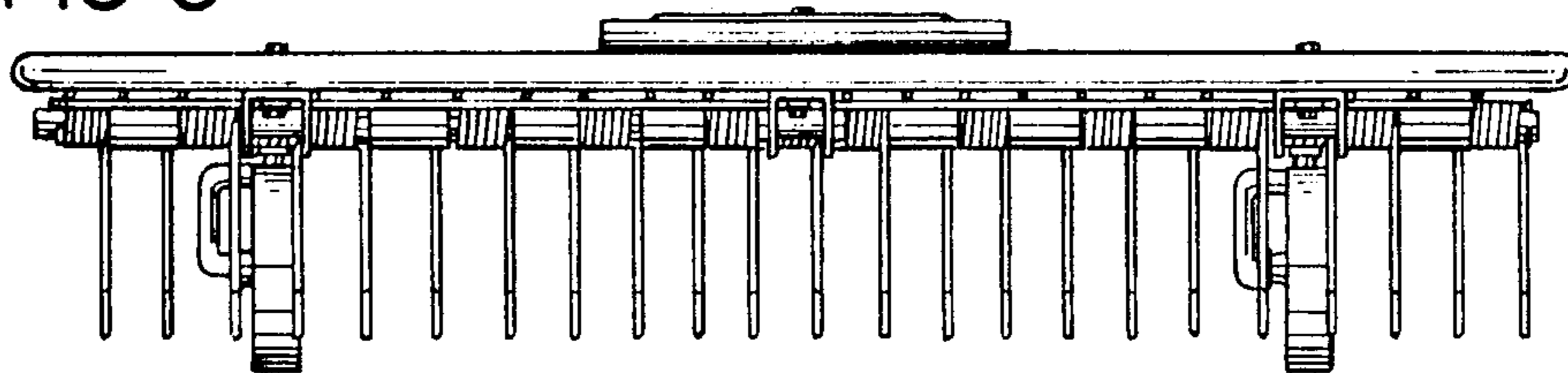


FIG-6

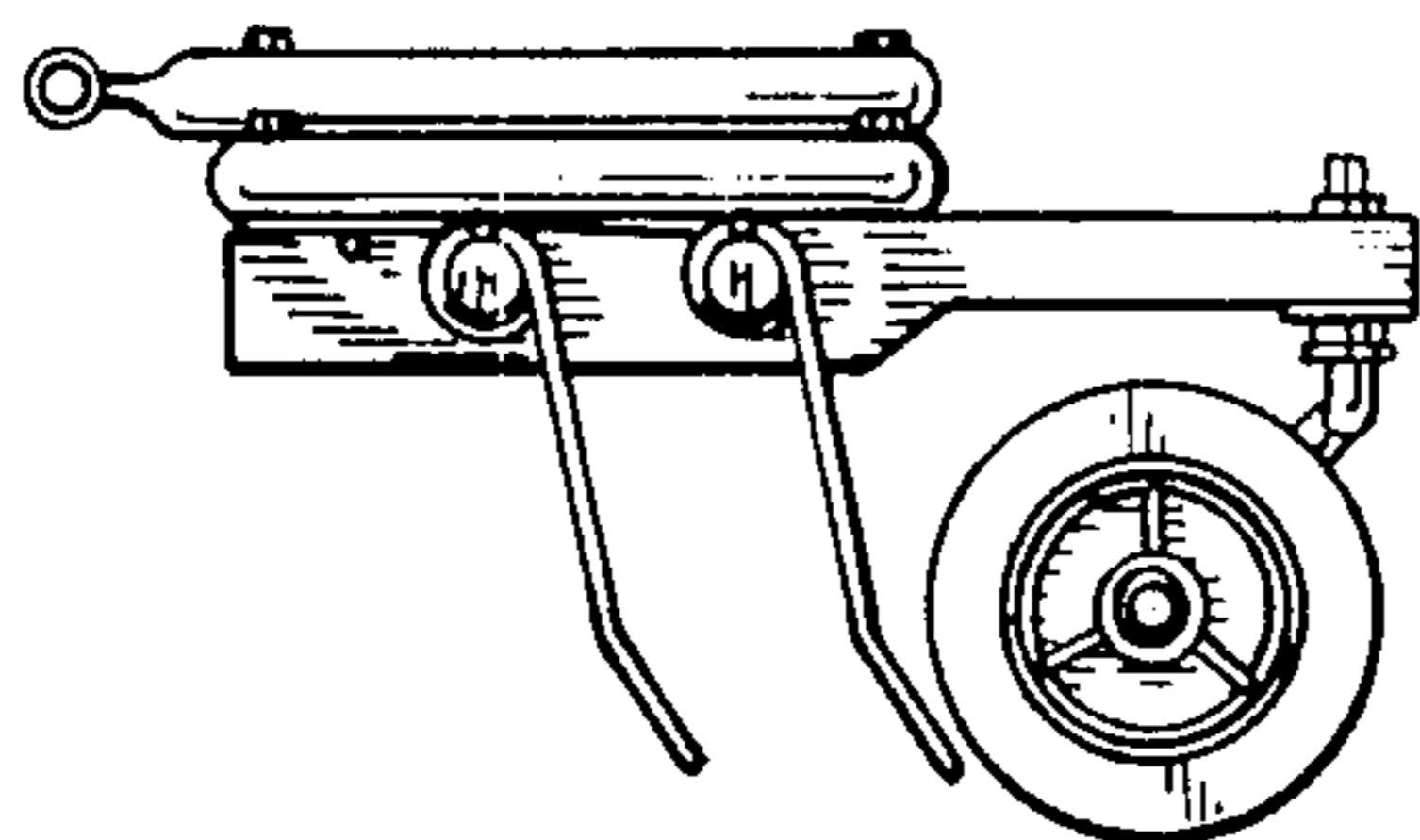
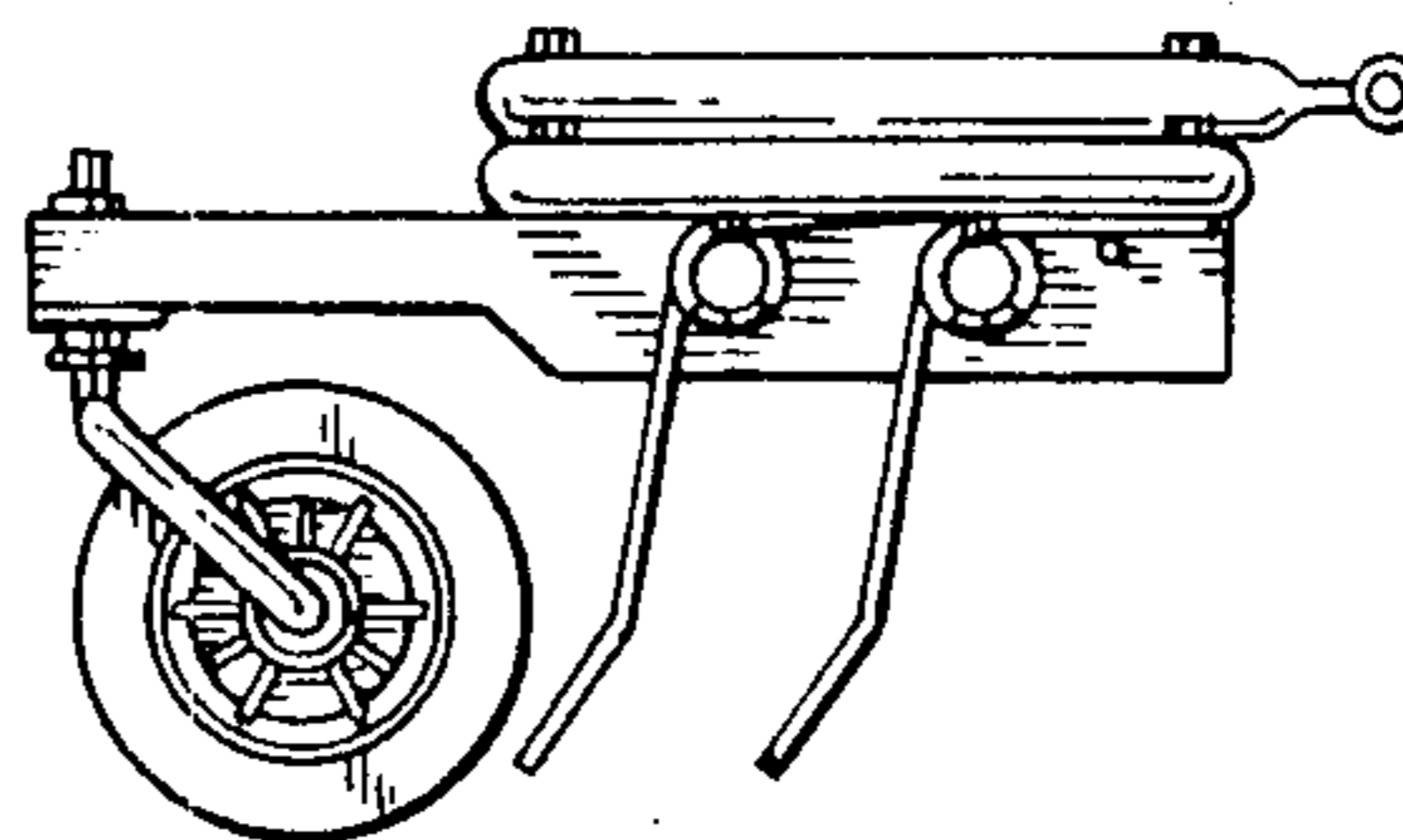


FIG-7



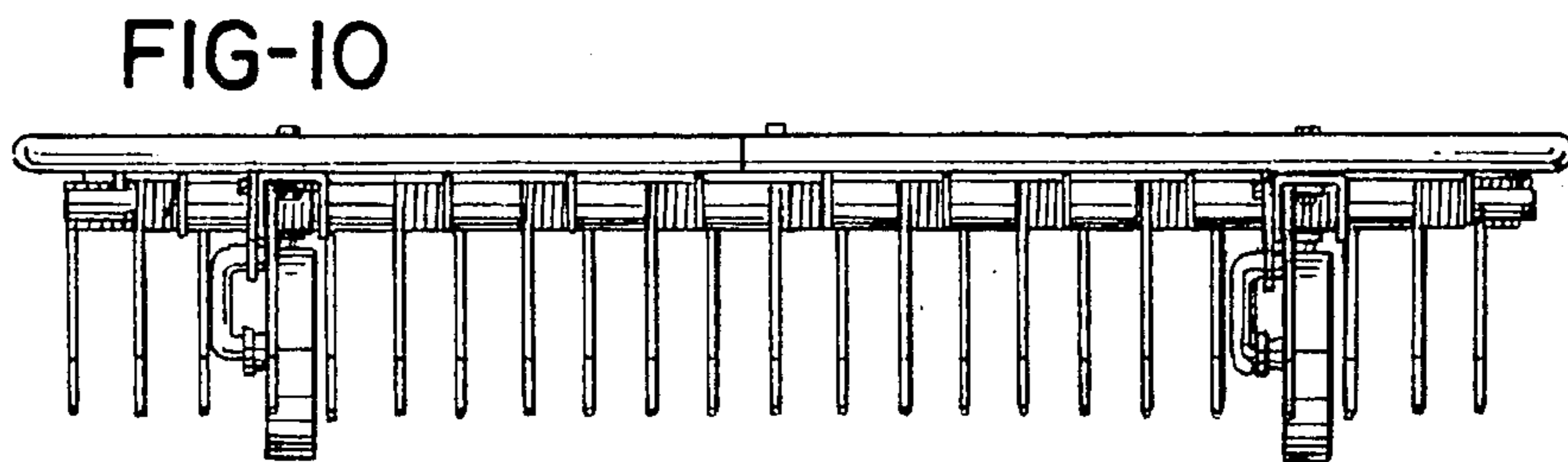
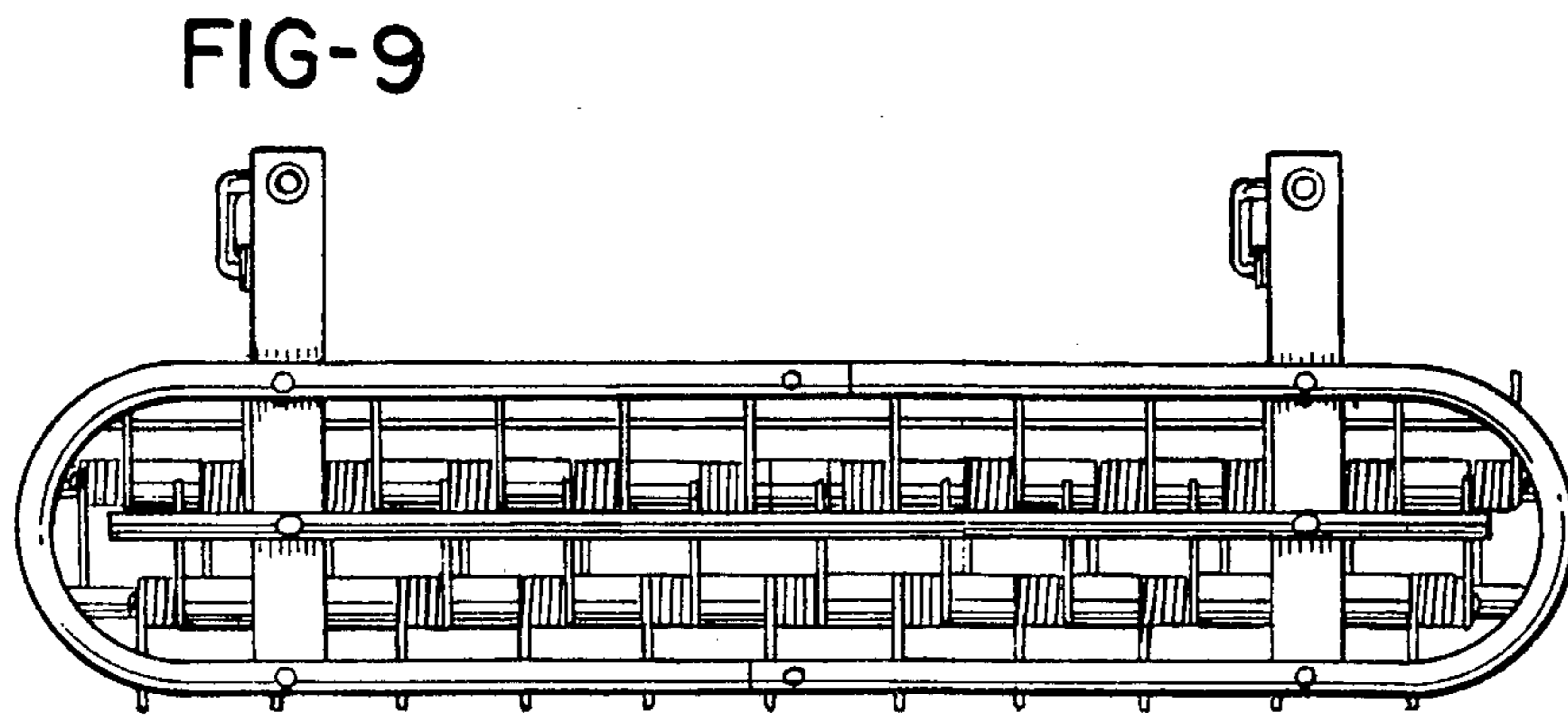
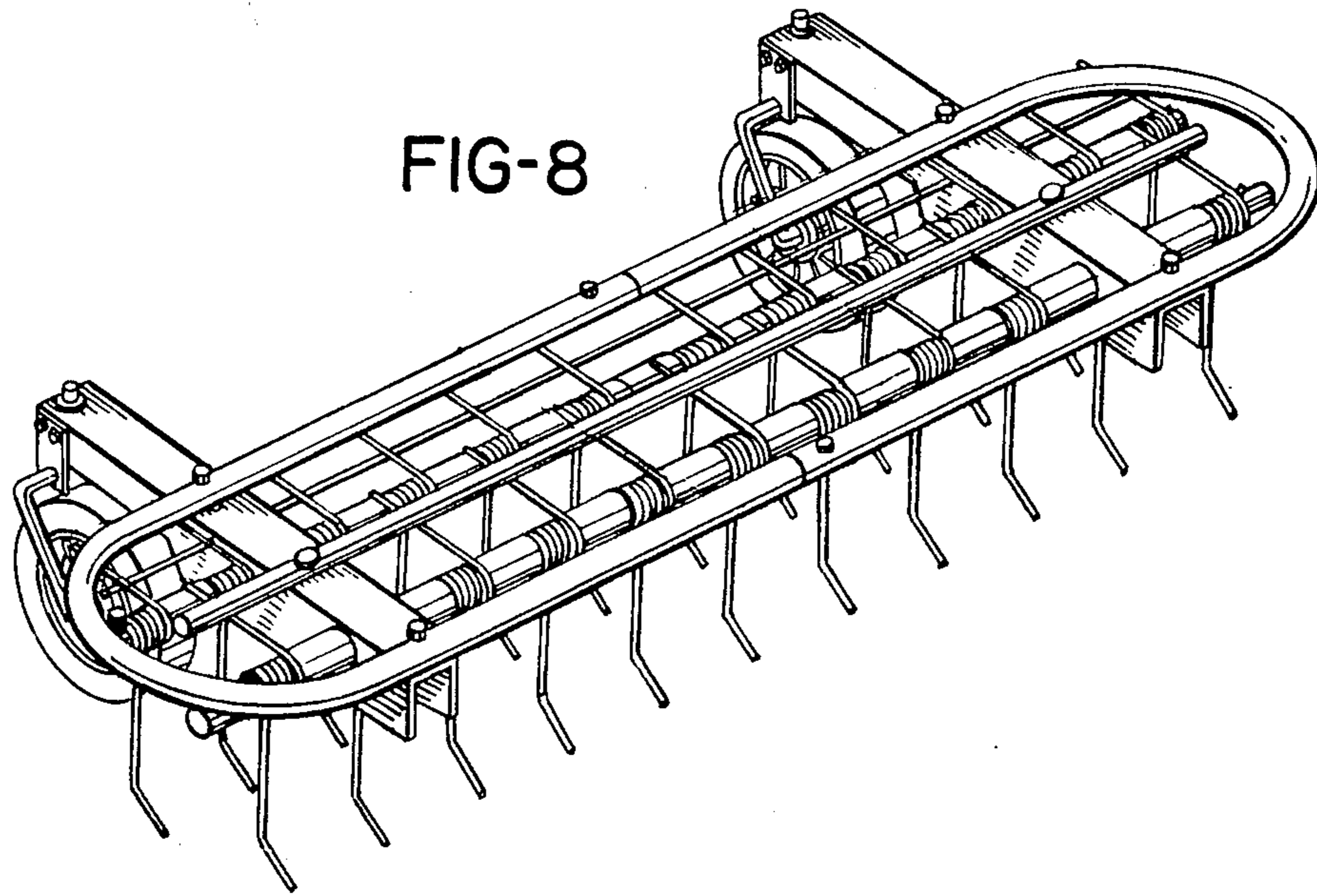


FIG-11

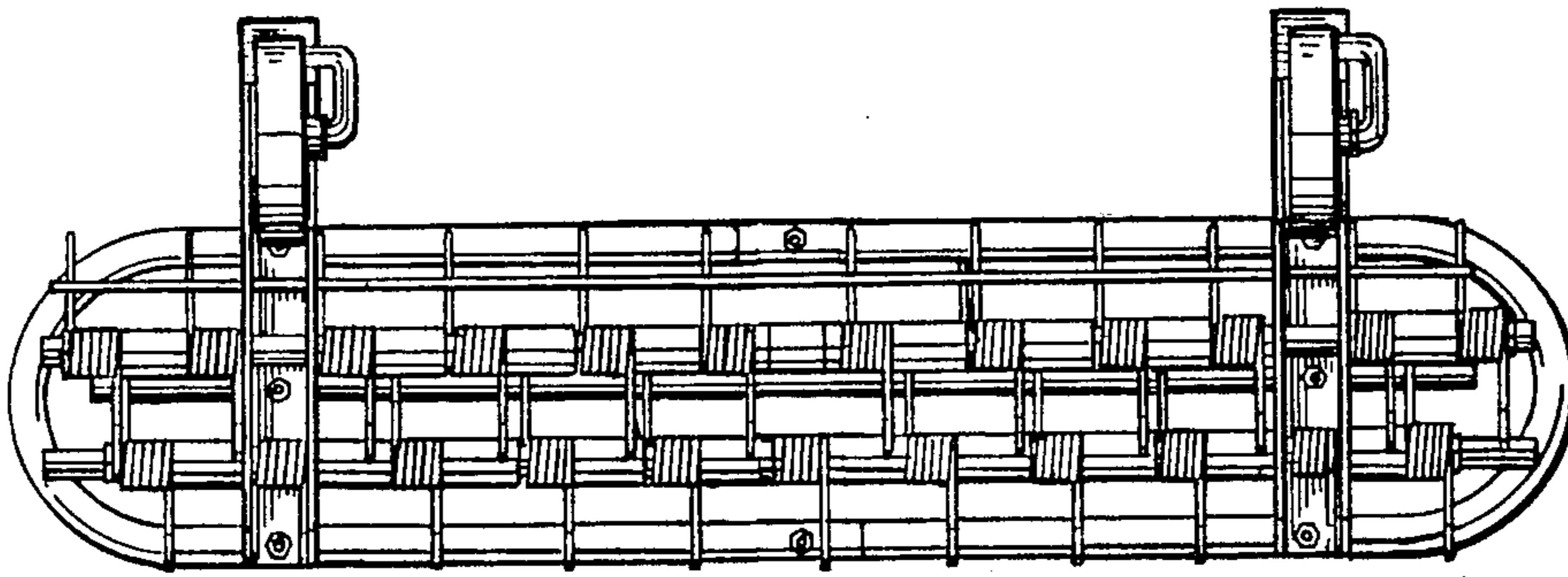


FIG-12

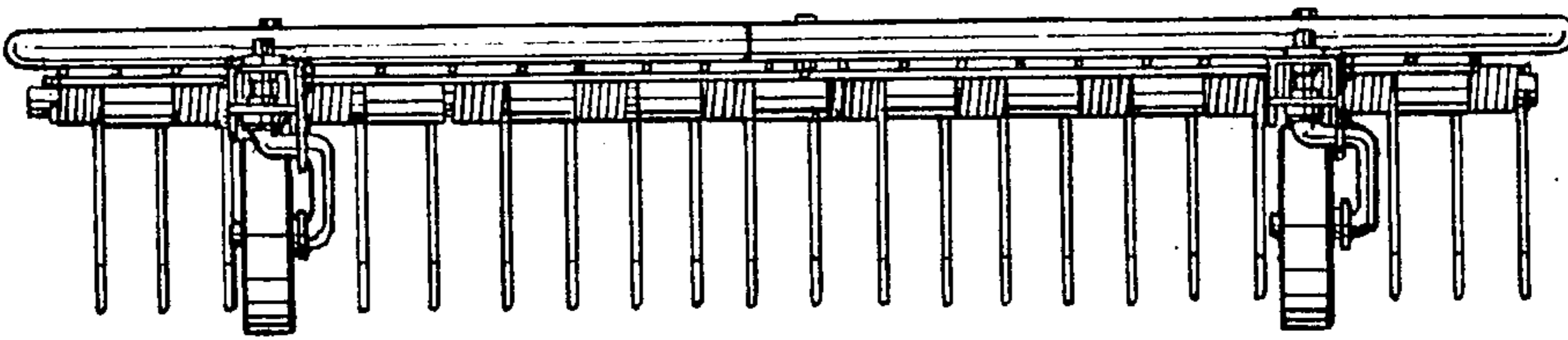


FIG-13

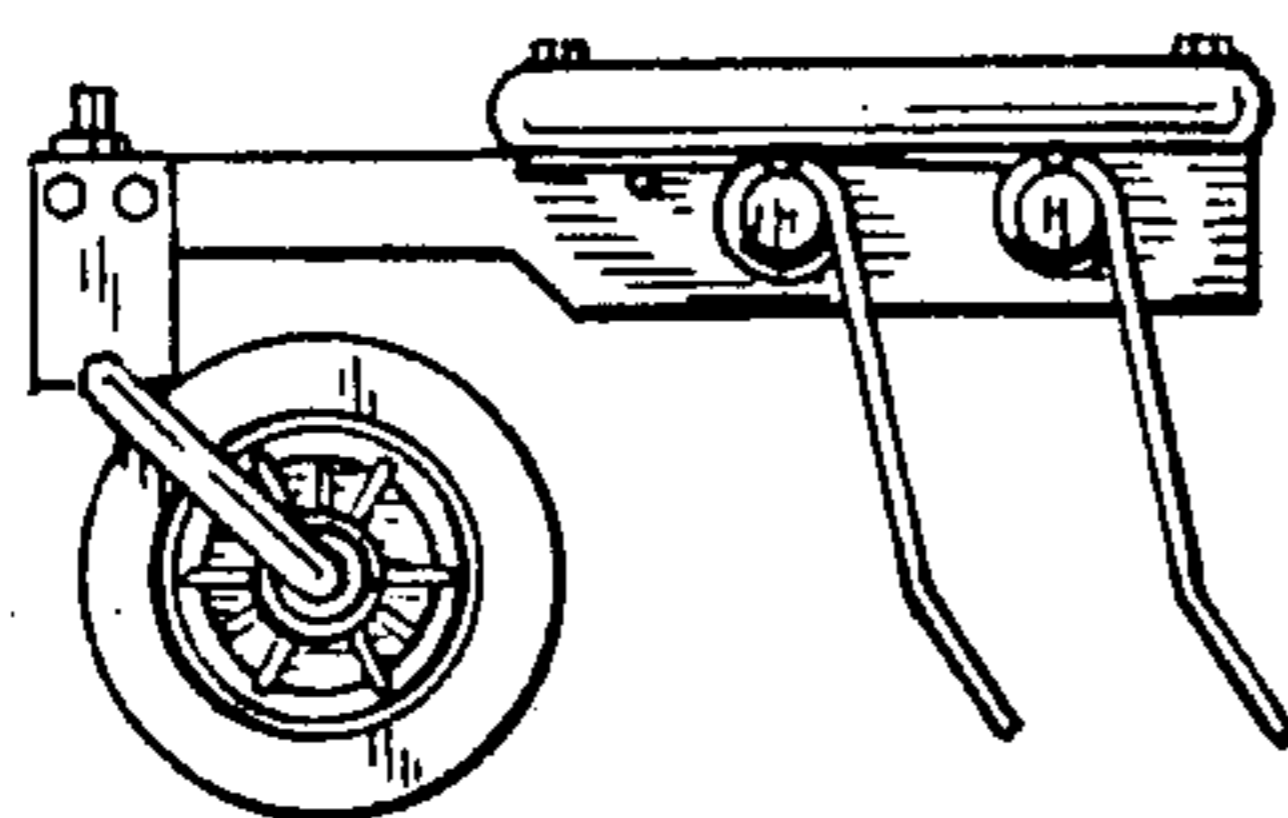


FIG-14

