

[54] **DATA LOGGING DEVICE COMPONENTS**

[75] **Inventor: Alexander J. Bates, Cambridge, England**

[73] **Assignee: Datapaq Limited, England**

[\*\*] **Term: 14 Years**

[21] **Appl. No.: 790,223**

[22] **Filed: Oct. 22, 1985**

[30] **Foreign Application Priority Data**

Apr. 24, 1985 [GB] United Kingdom ..... 1026385

[52] **U.S. Cl. .... D14/114**

[58] **Field of Search .... D14/100, 107, 114; D13/40, 41; 174/52 R; 361/331, 380, 390-395, 399; 340/825.54, 825.55; 371/11**

[56] **References Cited**

**U.S. PATENT DOCUMENTS**

3,629,662 12/1971 Cattet et al. .... 361/392  
4,307,264 12/1981 Hess ..... 174/52 R  
4,520,423 5/1985 Sutherland ..... 361/380

**OTHER PUBLICATIONS**

Campbell Scientific, Inc., brochure "21X Micrologger", undated.

Campbell Scientific, Inc., brochure "CR7 Measurement & Control System", dated May, 1983.

Science Electronics, Inc., brochure "Grant", dated Jun. 1983.

Campbell Scientific, Inc., brochure "C20 Cassette Interface", dated May, 1983.

Campbell Scientific, Inc., brochure "CR21 Cassette Tape Format Options", dated Sep., 1983.

Campbell Scientific, Inc., brochure "CR7 Technical Addenda", dated Aug., 1983.

*Primary Examiner*—Susan J. Lucas

*Attorney, Agent, or Firm*—Robbins & Laramie

[57] **CLAIM**

The ornamental design for data logging device components, as shown.

**DESCRIPTION**

FIG. 1 is a top, front, and left side perspective view of a data logging unit showing my new design;

FIG. 2 is a bottom, rear, and right side perspective view thereof;

FIG. 3 is a top, left side perspective view thereof, with two parts of the unit separated from one another.

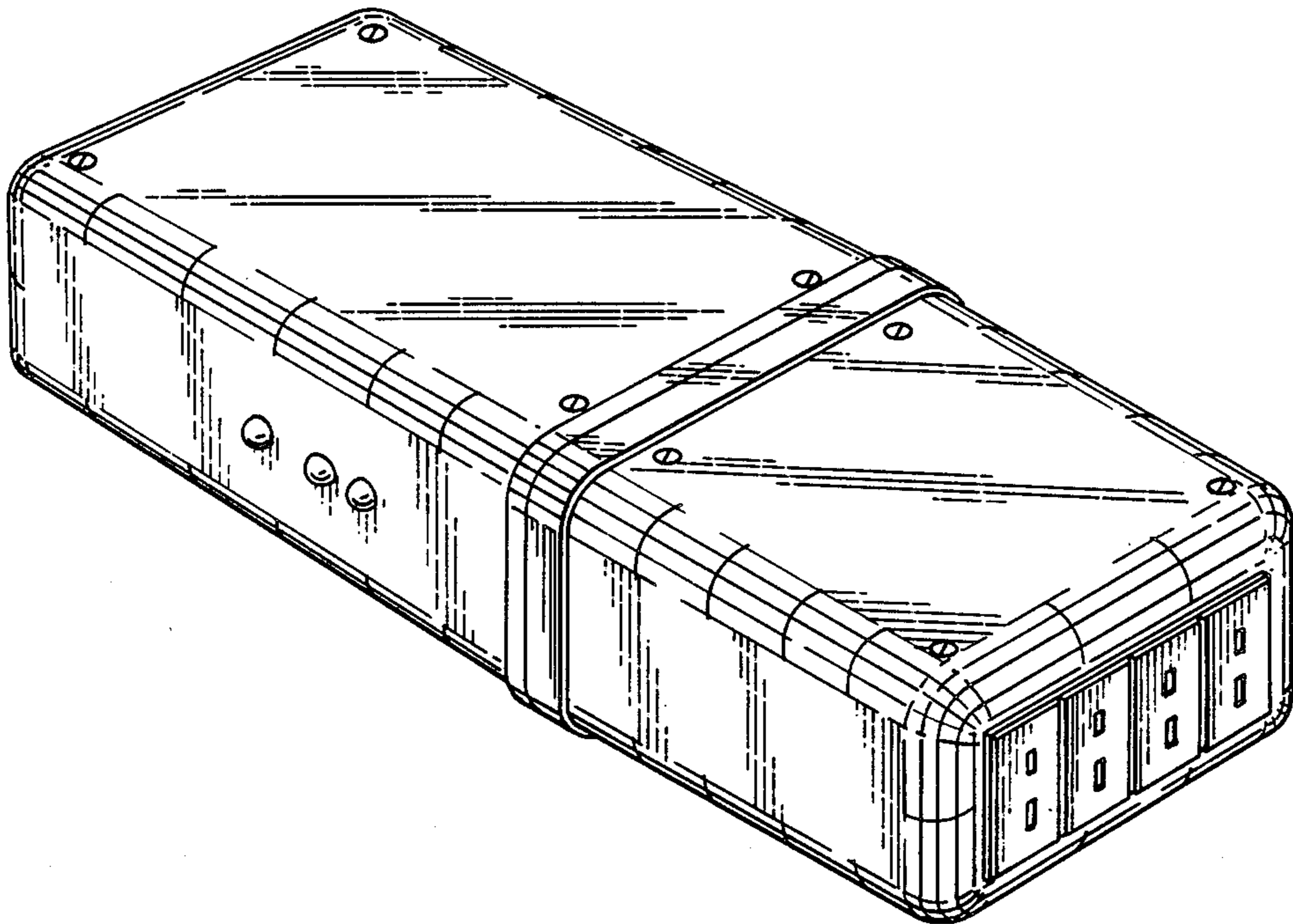
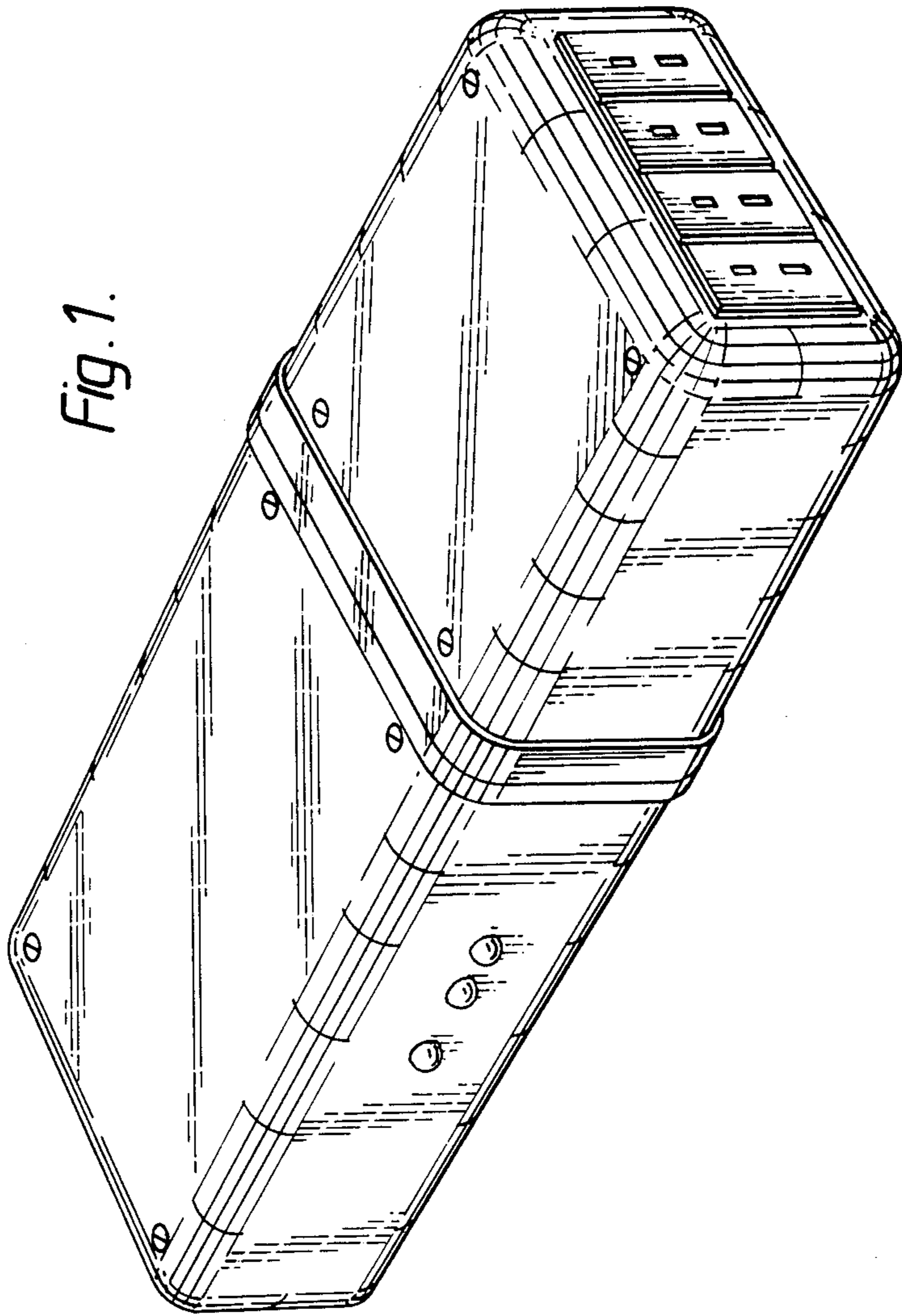


Fig. 1.



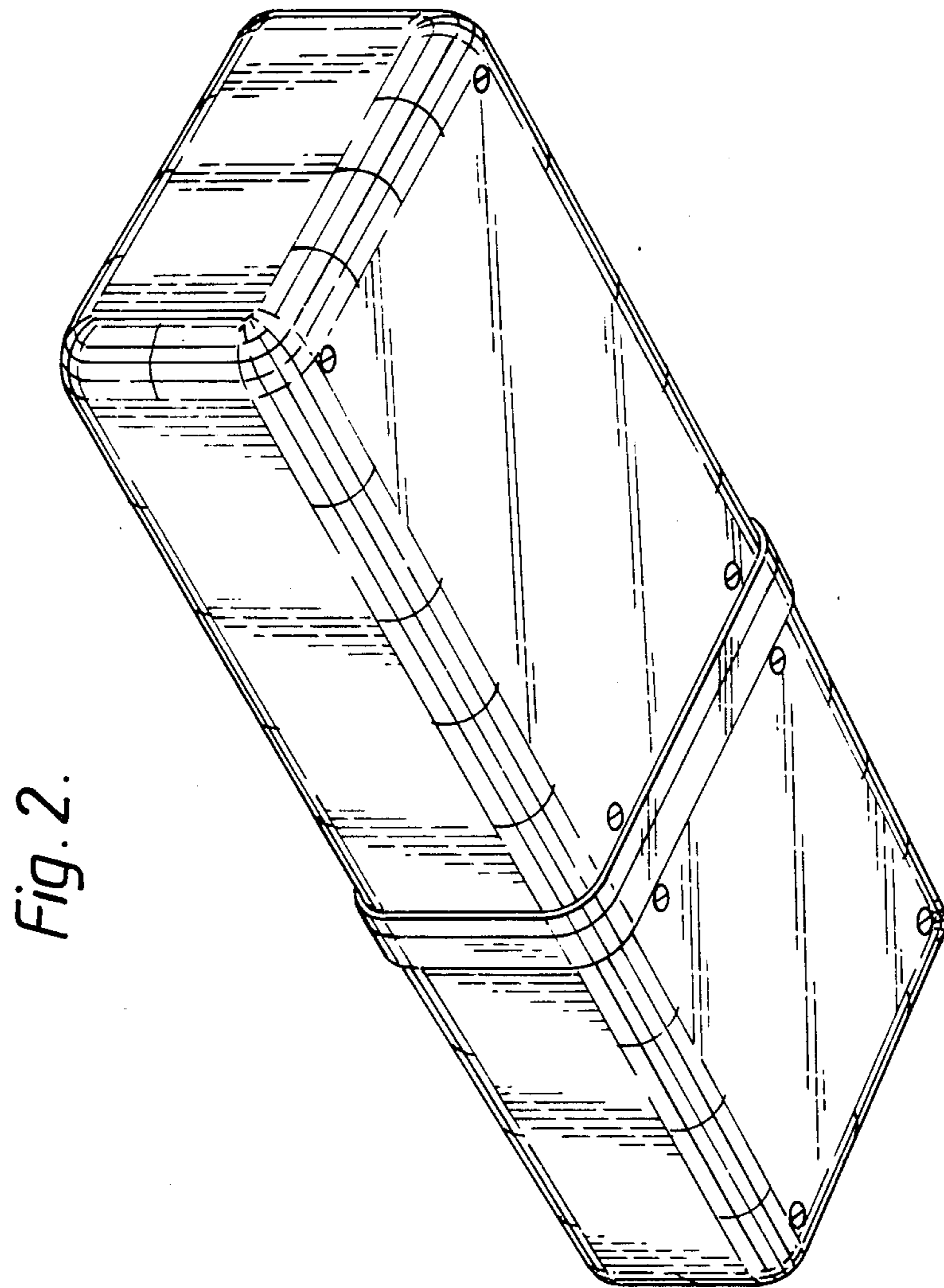


Fig. 2.

Fig. 3.

