

[54] HOUSING FOR A DATA PROCESSOR

Primary Examiner—Susan J. Lucas

[76] Inventors: Jack P. Hall, Palo Alto; Peter M. Fogg, Burlingame, both of Calif.

[57] CLAIM

The ornamental design for a housing for a data processor, as shown and described.

[\*\*] Term: 14 Years

DESCRIPTION

[21] Appl. No.: 808,692

[22] Filed: Dec. 13, 1985

[52] U.S. Cl. .... D14/102

[58] Field of Search ..... D14/100, 102, 107, 108, D14/109; D13/40, 41; 361/331, 380, 381, 390, 392; 364/708; 360/97, 98, 99

FIG. 1 is a top, front, and right-side perspective view of a housing for a data processor showing our new design; FIG. 2 is a top, front, and left-side perspective view thereof;

FIG. 3 is a top, front, and right-side perspective view of a second embodiment of our new design;

FIG. 4 is a top, front, and left-side perspective view thereof;

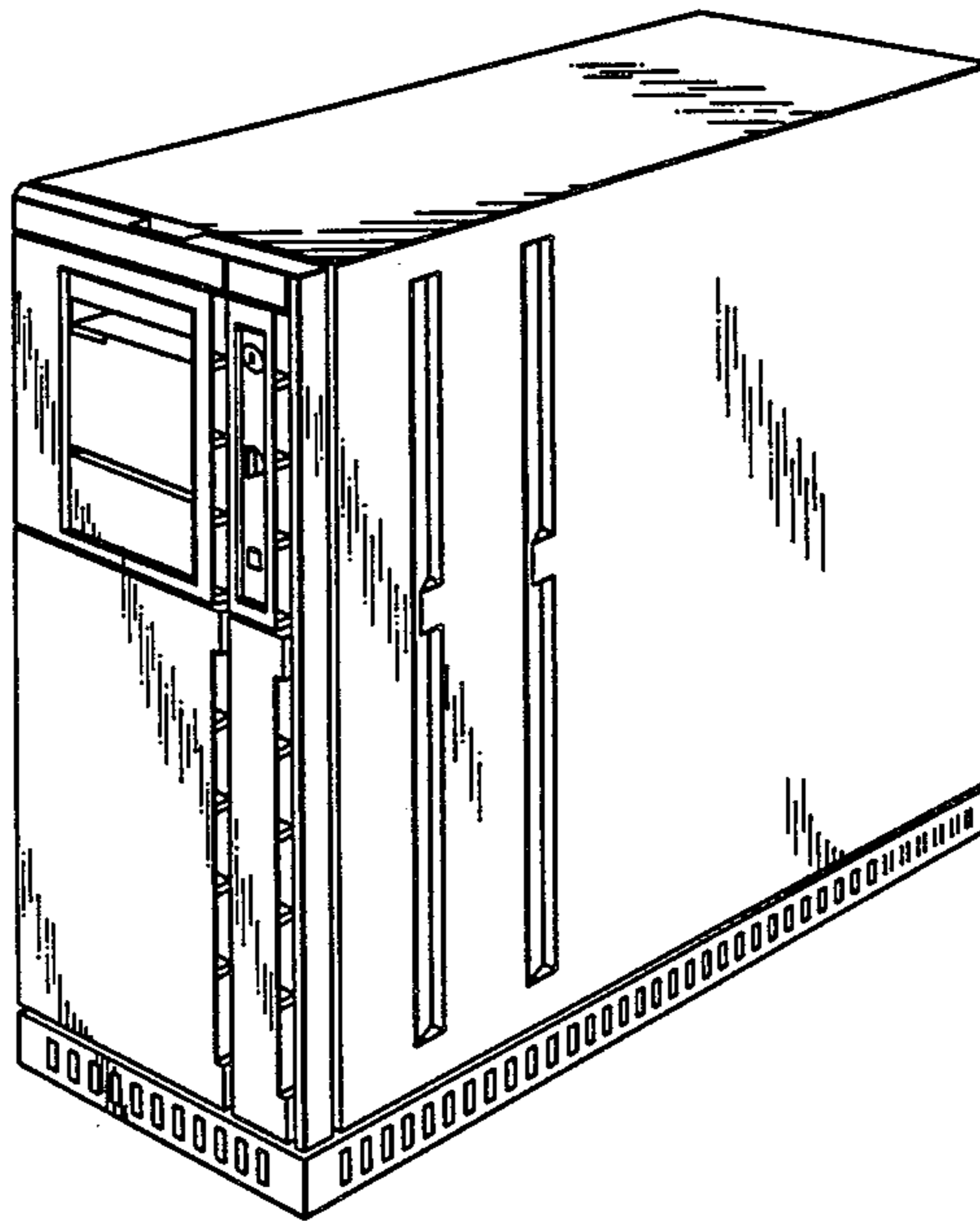
FIG. 5 is a front elevational view of the first embodiment of our new design;

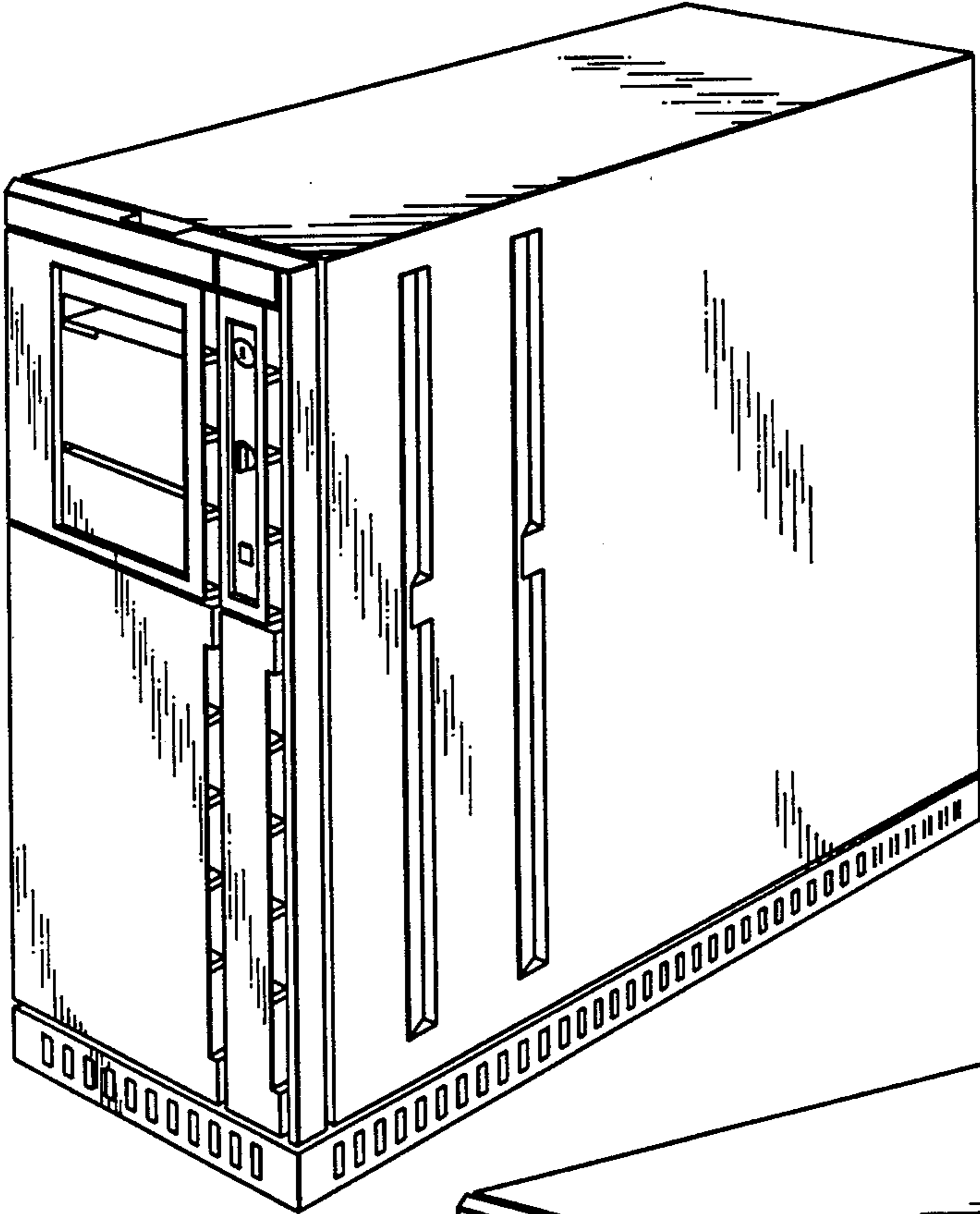
FIG. 6 is a top plan view common to both embodiments.

[56] References Cited

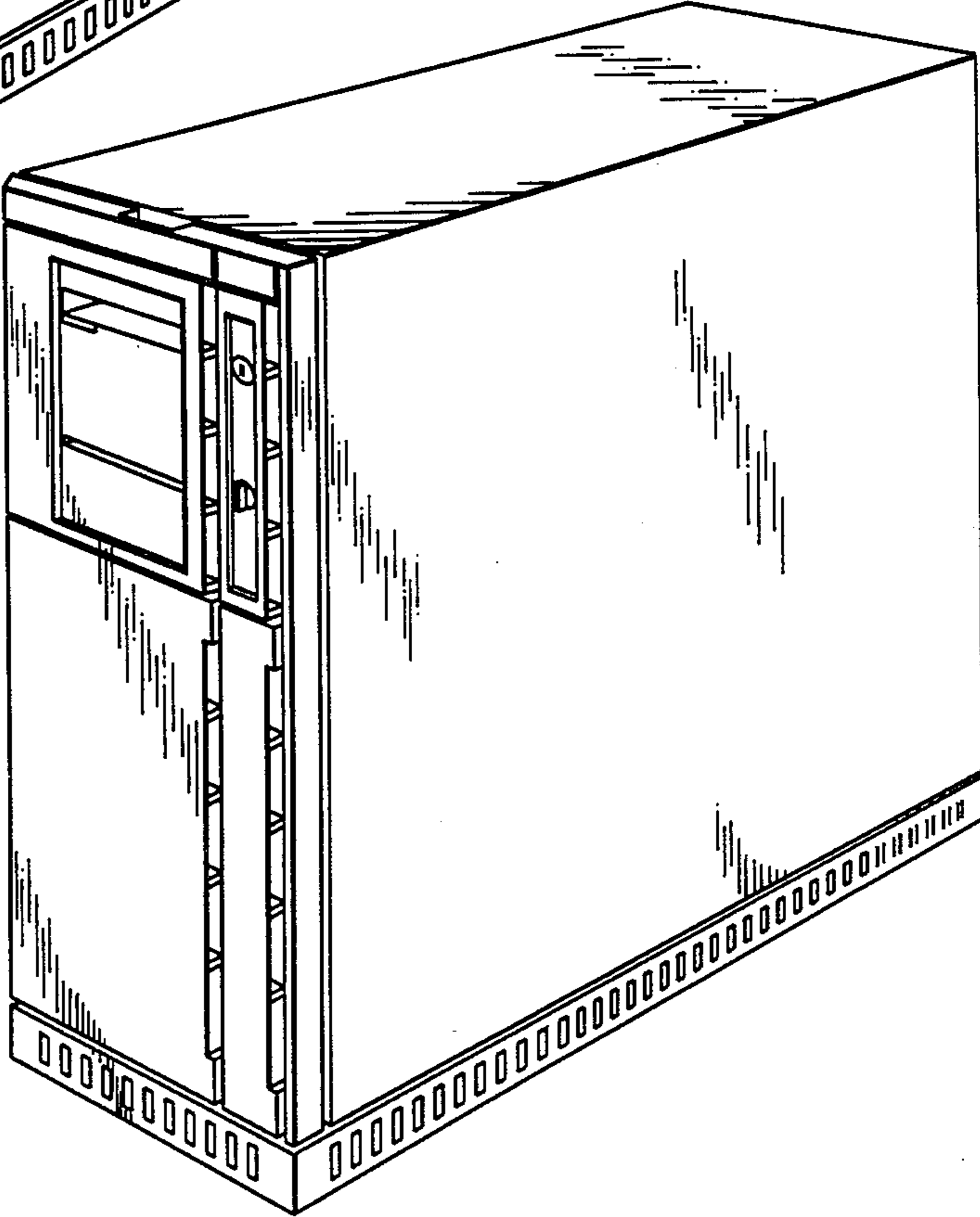
U.S. PATENT DOCUMENTS

- D. 250,019 10/1978 Pycha et al. .... D14/102
- D. 289,397 4/1987 Nuttall ..... D14/102
- D. 289,875 5/1987 Satherley ..... D14/100 X
- D. 293,111 12/1987 Nezu ..... D14/102



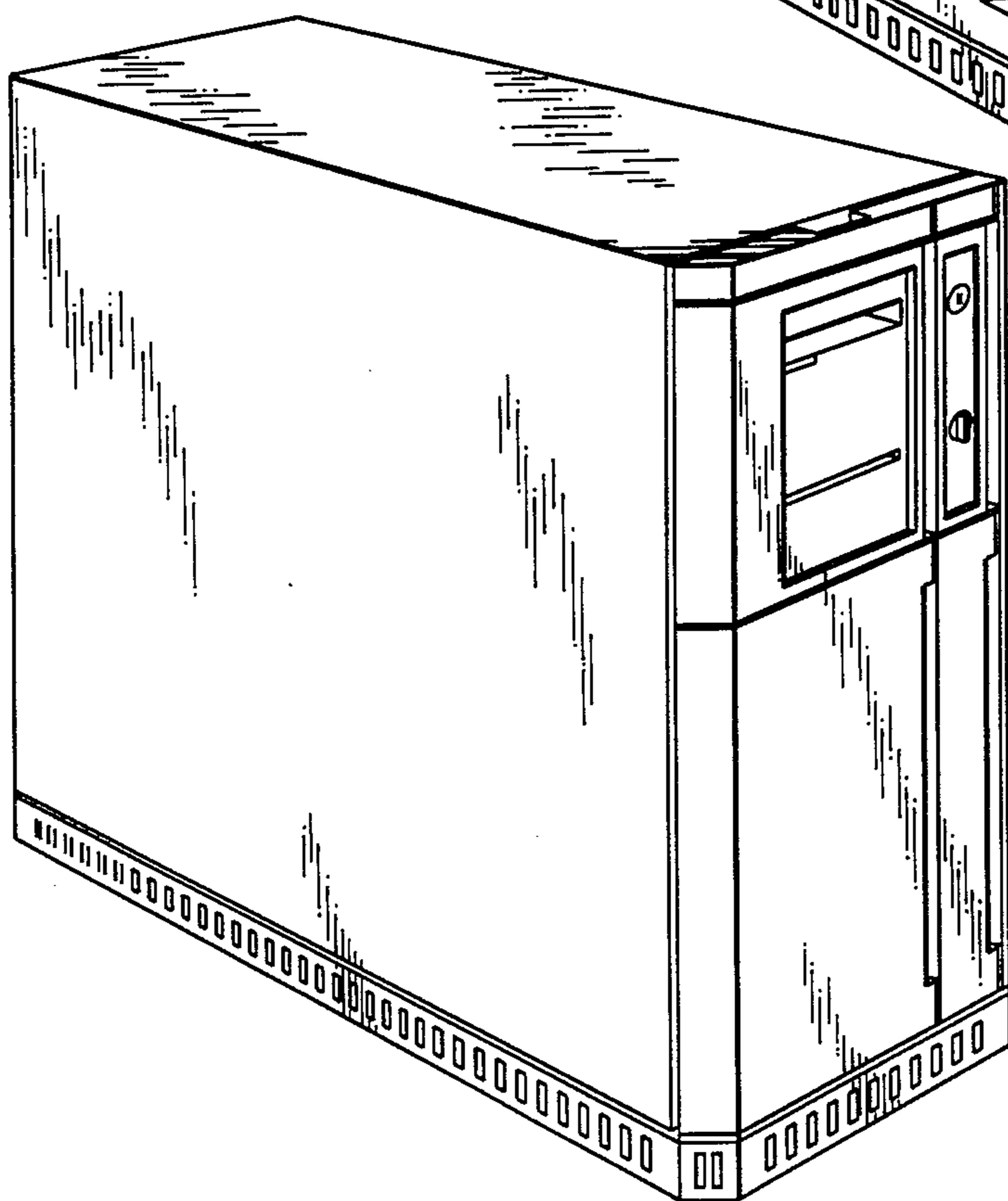
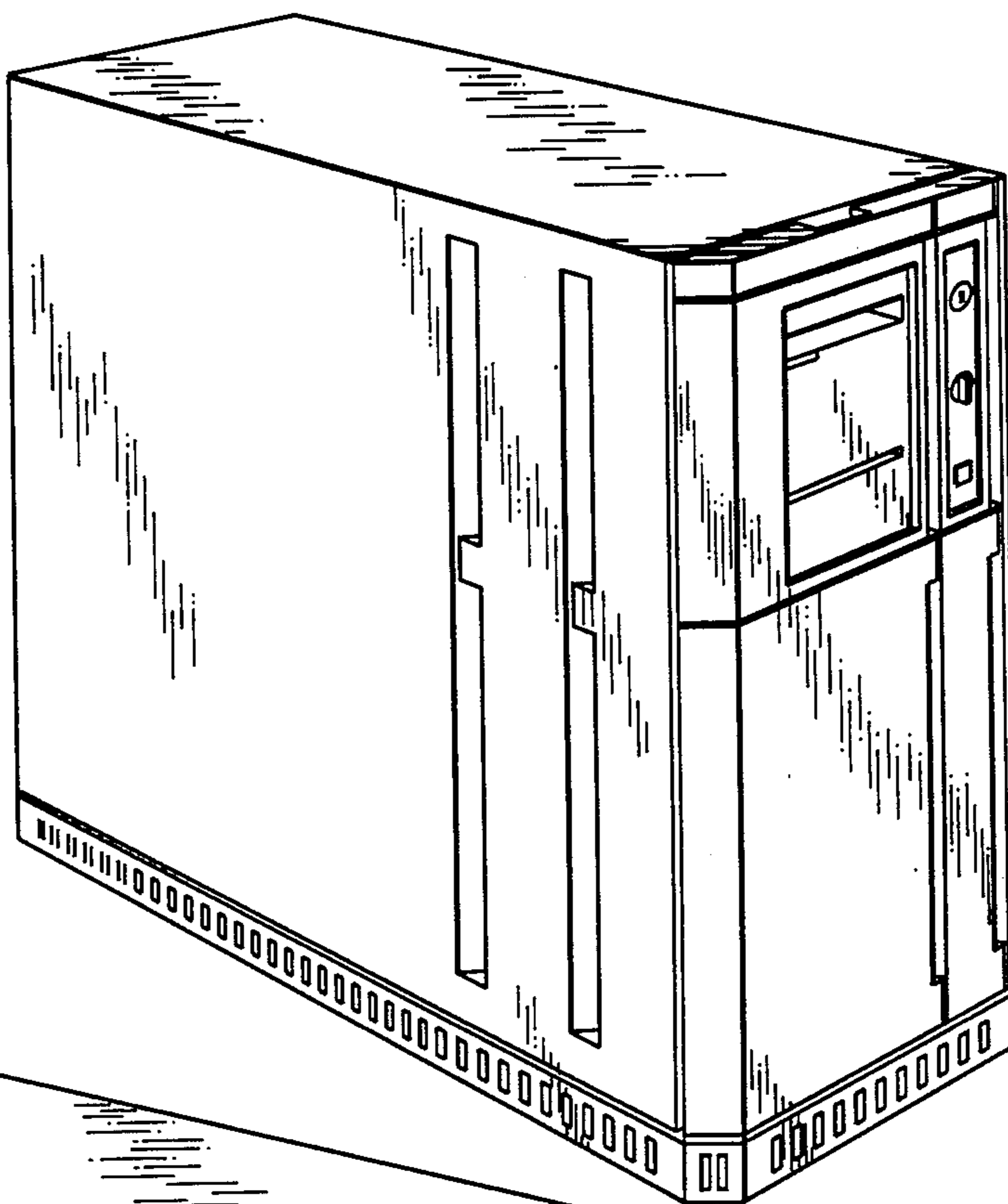


*FIG.*  
*1*



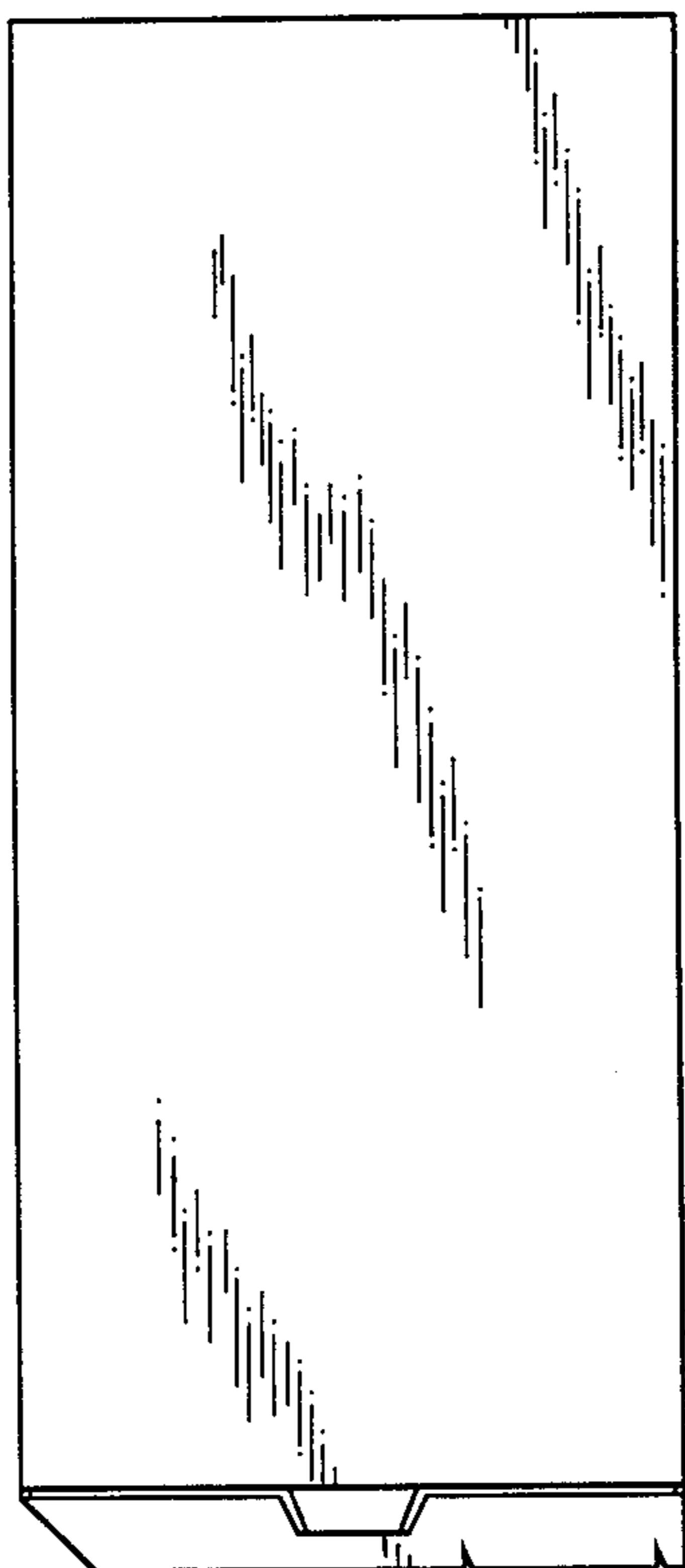
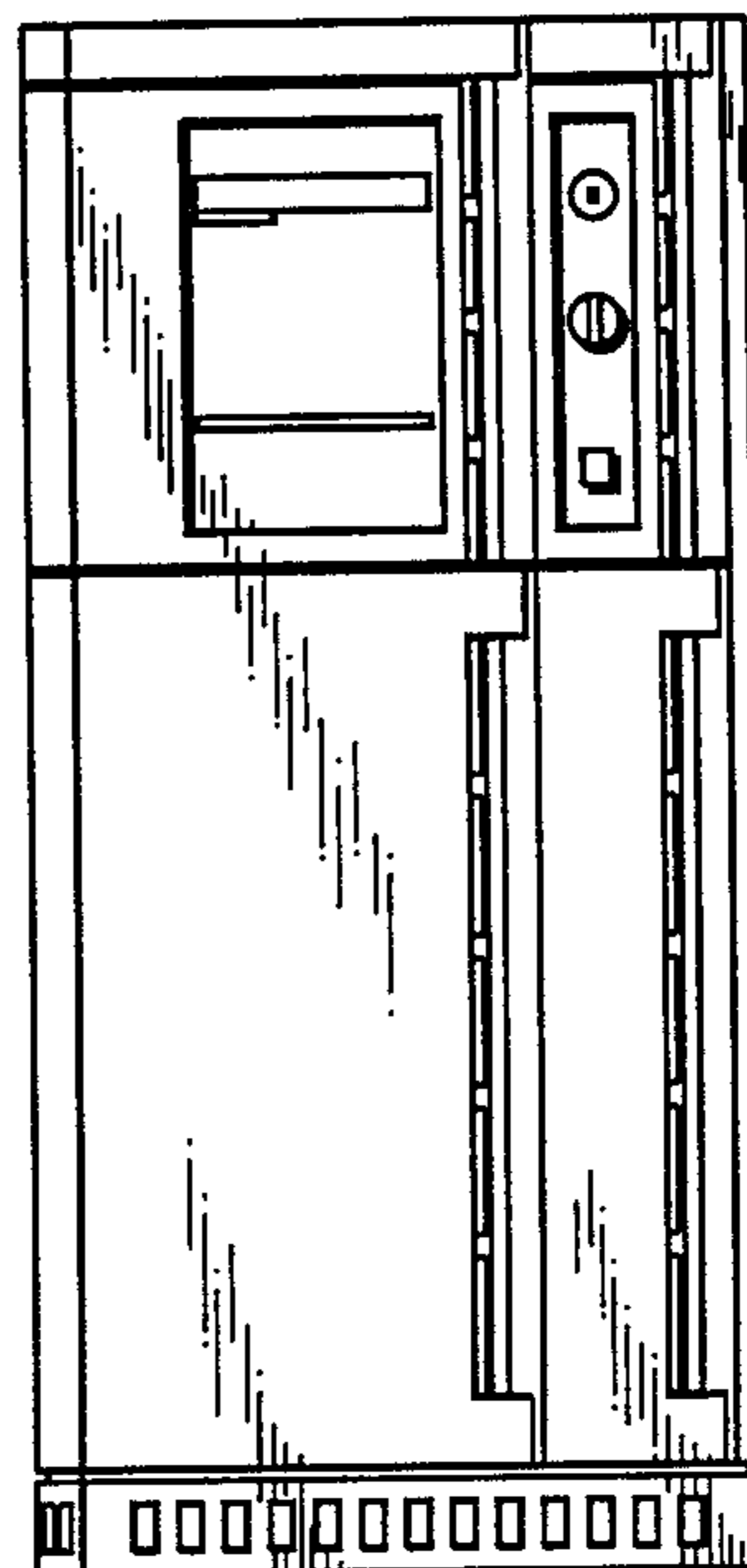
*FIG.*  
*3*

*FIG.*  
*2*



*FIG.*  
*4*

*FIG. 5*



*FIG. 6*