

[54] COMBINED VIDEO CAMERA AND VIDEO TAPE RECORDER

[75] Inventor: Akinari Mori, Tokyo, Japan

[73] Assignee: Sony Corporation, Tokyo, Japan

[**] Term: 14 Years

[21] Appl. No.: 744,475

[22] Filed: Jun. 13, 1985

[30] Foreign Application Priority Data

Dec. 13, 1984 [JP] Japan 59-51332

[52] U.S. Cl. D14/78; D14/5

[58] Field of Search D14/1, 2, 5, 6, 78, D14/99; D16/4; 358/229, 906; 352/72, 242

[56] References Cited

U.S. PATENT DOCUMENTS

- D. 281,684 12/1985 Hyuga et al. D14/5
- D. 288,812 3/1987 Miyashita D14/1 X
- D. 289,645 5/1987 Kondo D14/78
- D. 289,893 5/1987 Takemoto et al. D14/5

OTHER PUBLICATIONS

Video Review, Aug. 1982, p. 51.

Video Review; Sep. 1982; p. 15-middle, Canon Video-camera.

Primary Examiner—Bernard Ansher

Assistant Examiner—Theodore M. Shooman

Attorney, Agent, or Firm—Lewis H. Eslinger; Jay H. Maioli

[57] CLAIM

The ornamental design for a combined video camera and video tape recorder, as shown and described.

DESCRIPTION

FIG. 1 is a top, front and right-side perspective view of a combined video camera and video tape recorder, showing my new design;

FIG. 2 is a front elevational view thereof;

FIG. 3 is a rear elevational view thereof;

FIG. 4 is a left side elevational view thereof;

FIG. 5 is a right side elevational view thereof;

FIG. 6 is a top plan view thereof;

FIG. 7 is a bottom plan view thereof; and

FIG. 8 is a top, front and left-side perspective view thereof, shown with the cassette holder in an open position.

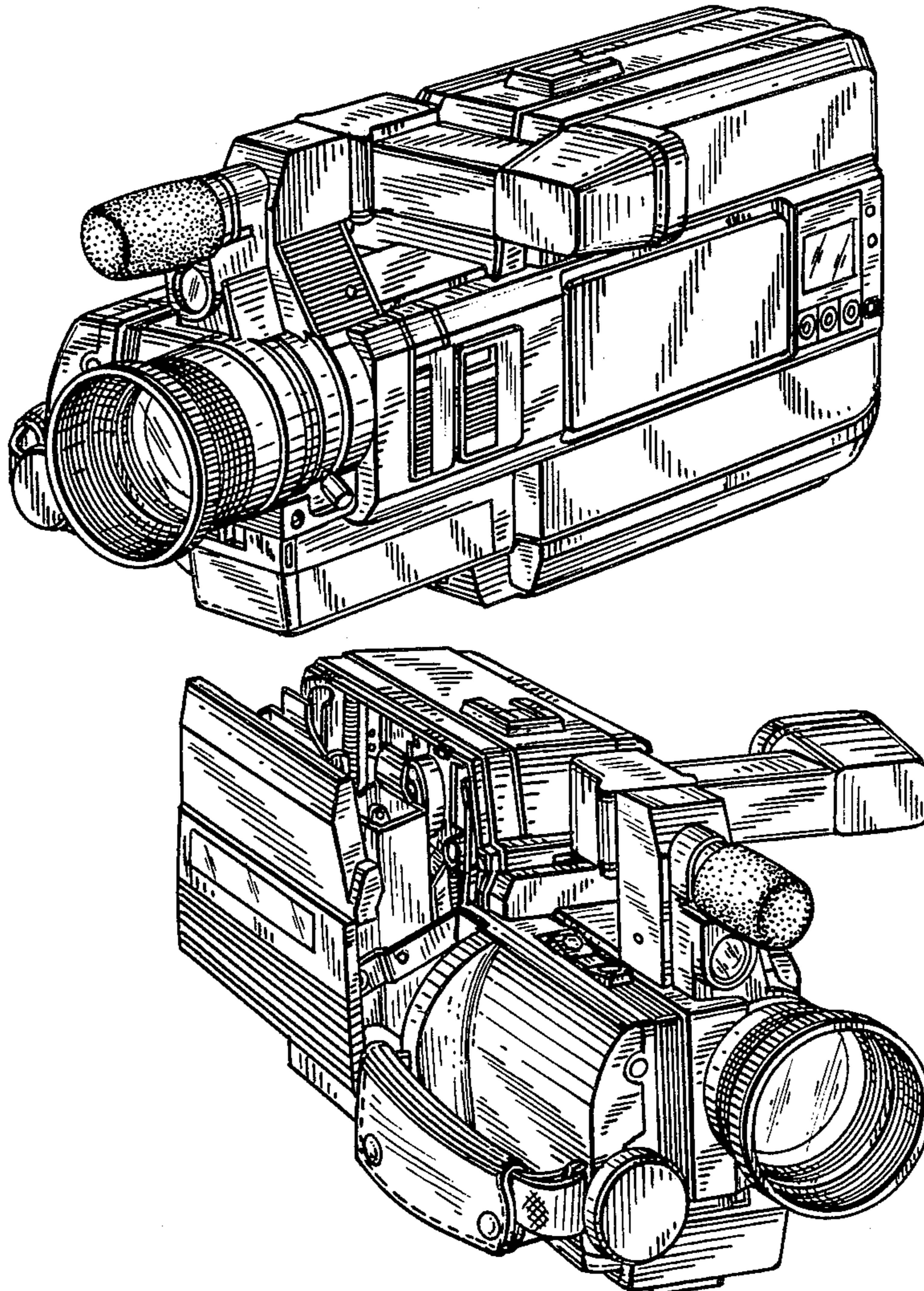


FIG. 1

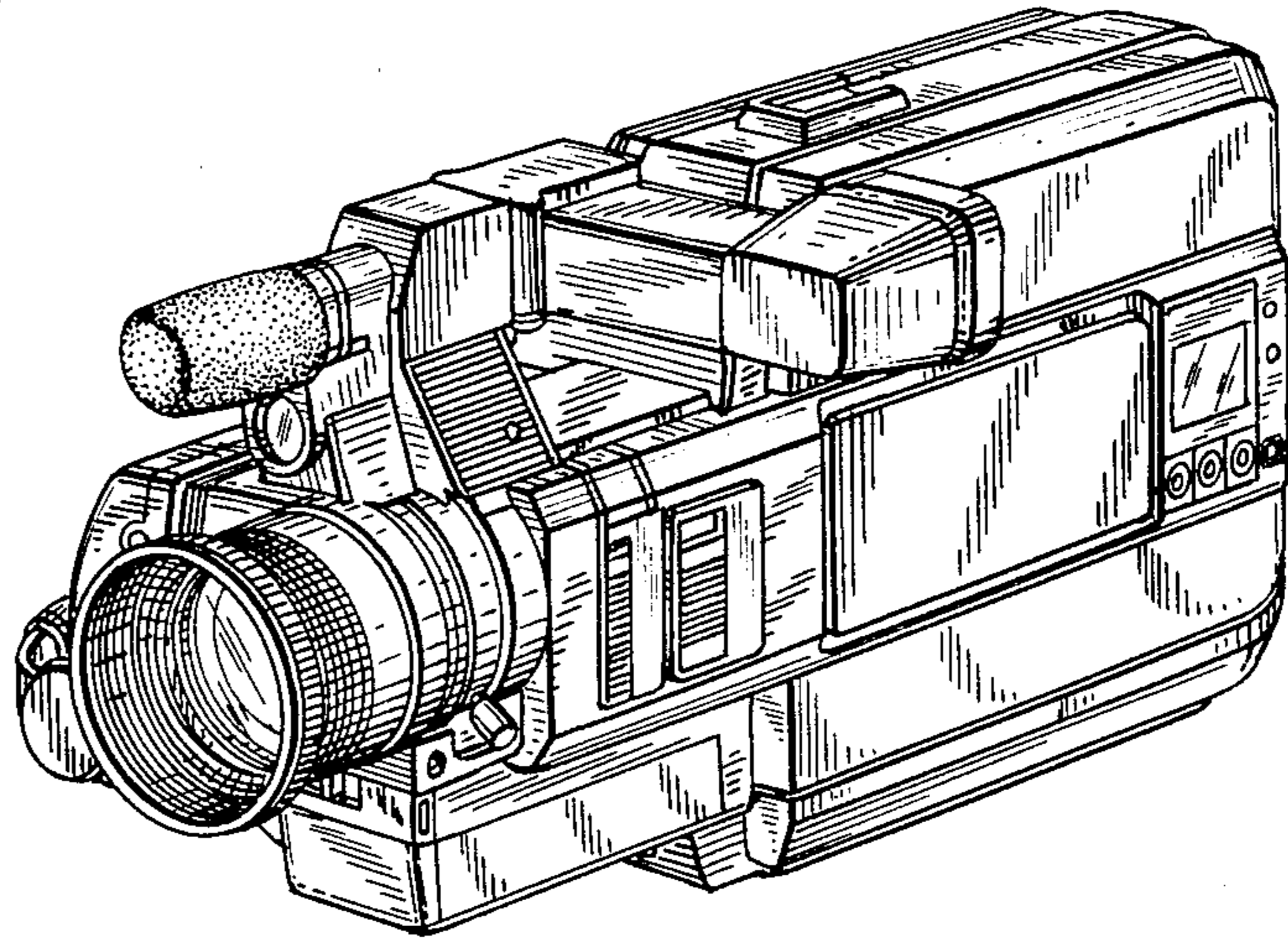


FIG. 2

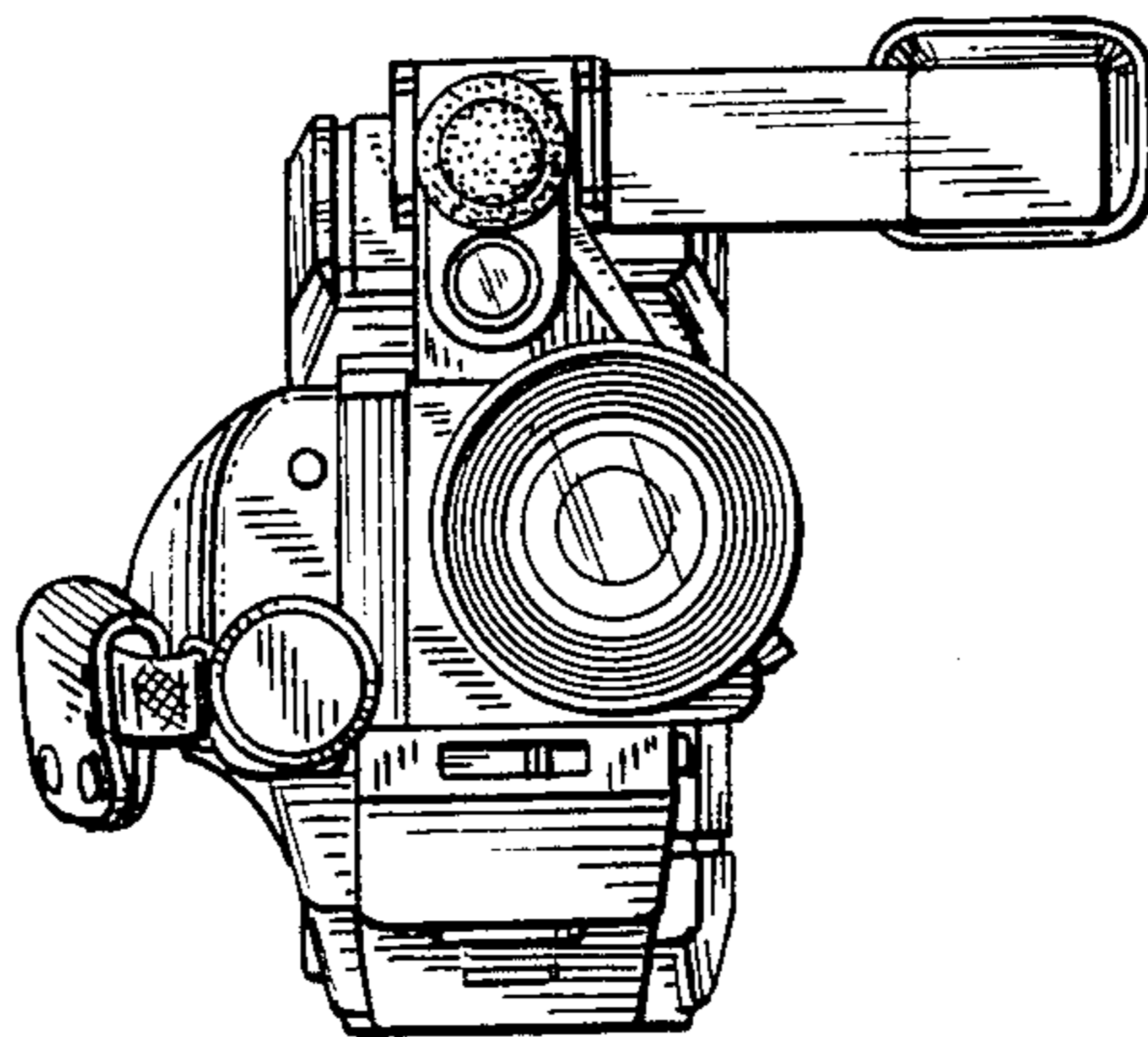


FIG. 3

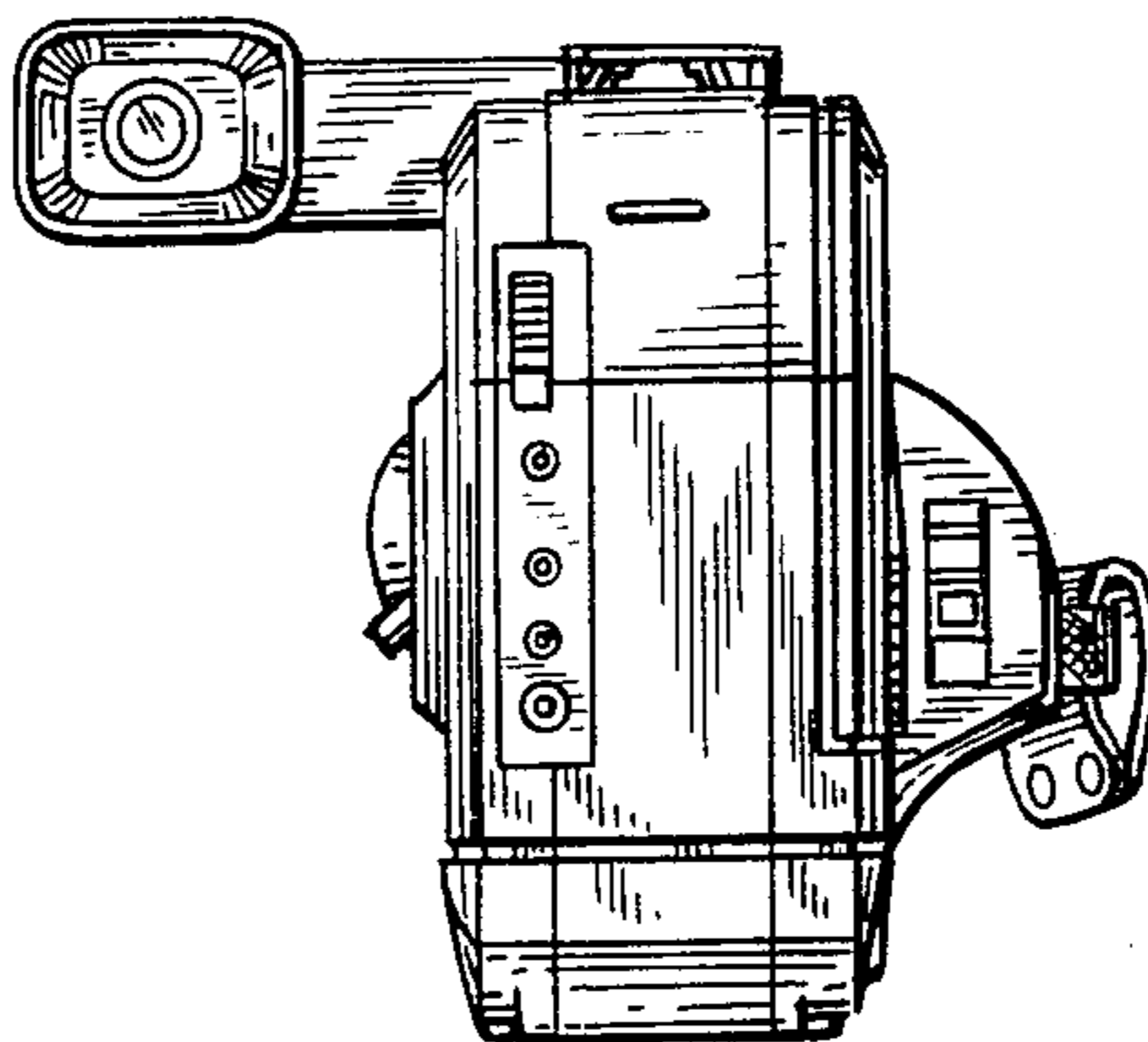


FIG. 4

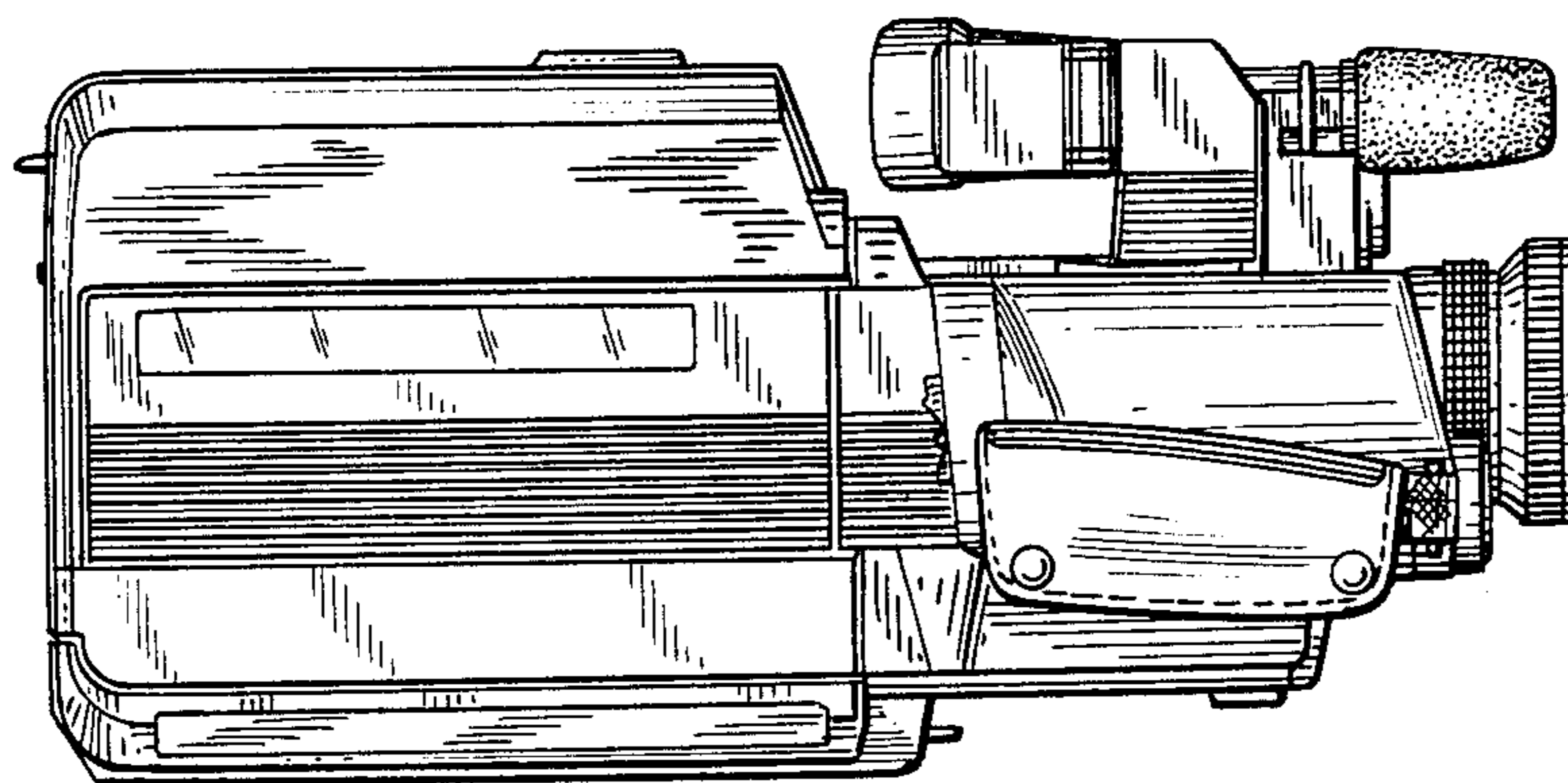


FIG. 5

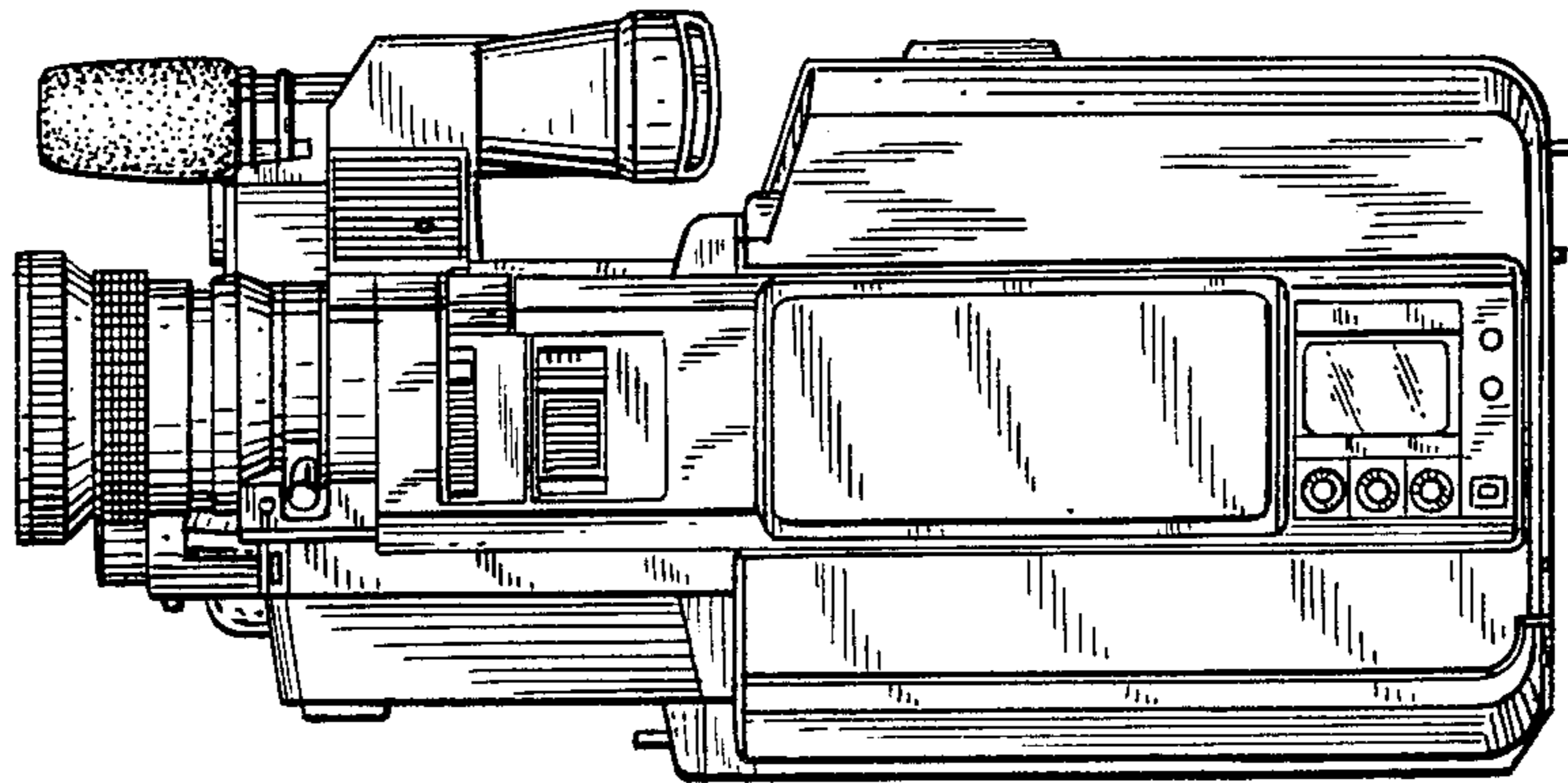


FIG. 6

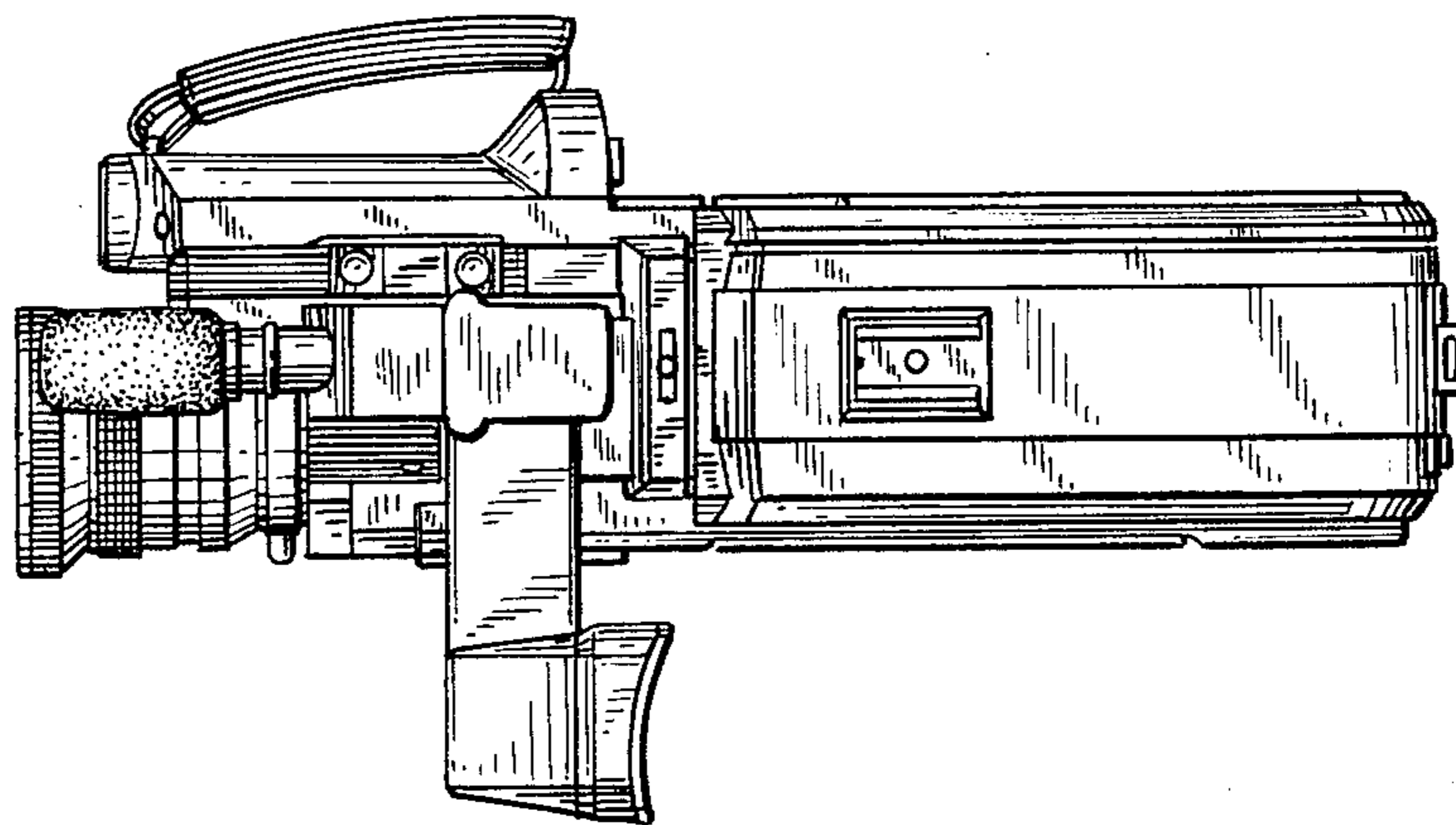


FIG. 7

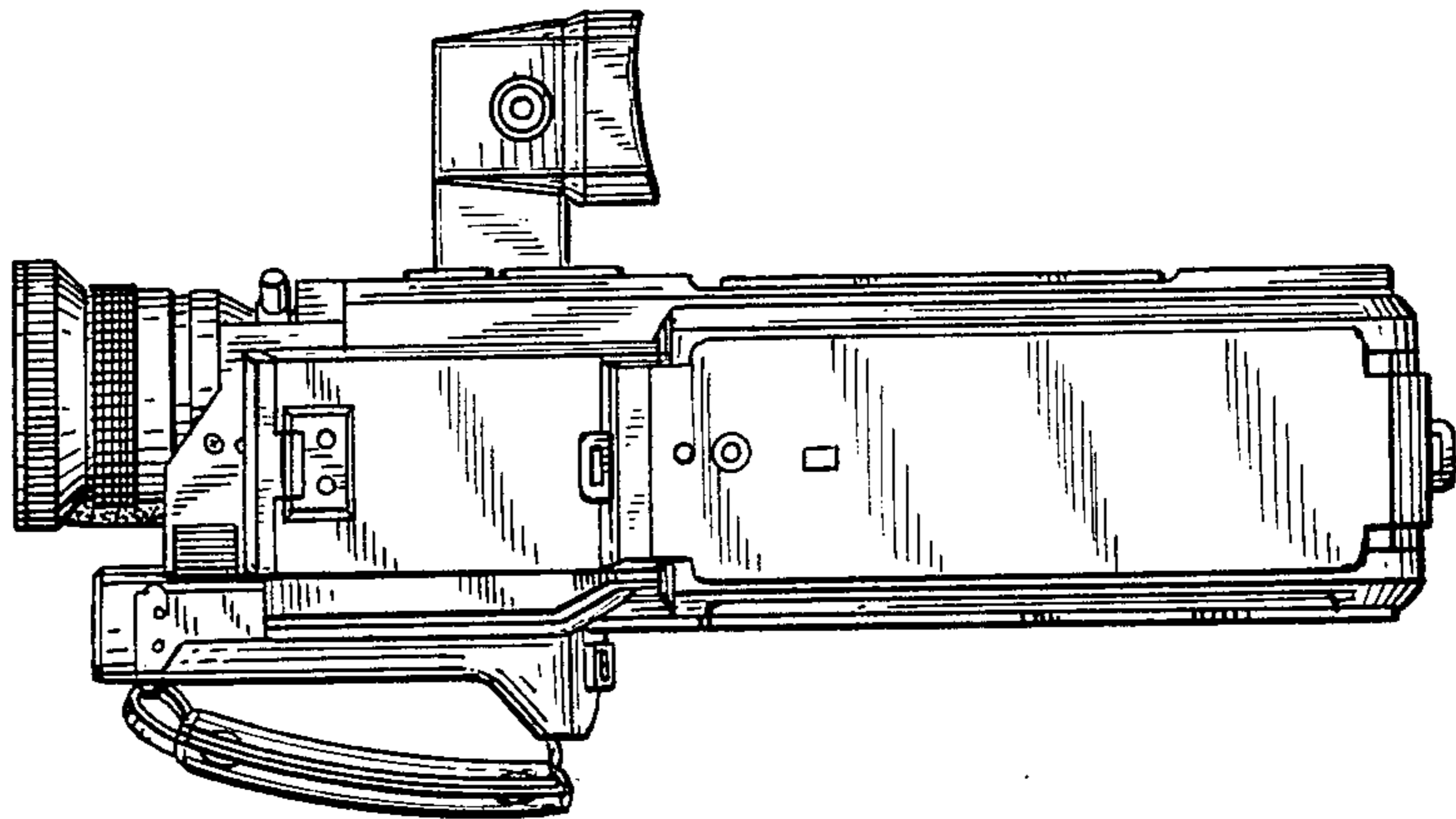


FIG. 8

