

[54] COMBINATION MOBILE, PORTABLE CELLULAR HANDSET RADIO TELEPHONE AND SUPPORT CASE

[75] Inventor: Katsuhito Watanabe, Tokyo, Japan

[73] Assignee: OKI Electric Industry Co., Ltd., Tokyo, Japan

[\*\*] Term: 14 Years

[21] Appl. No.: 84,940

[22] Filed: Aug. 13, 1987

[30] Foreign Application Priority Data

Feb. 17, 1987 [JP] Japan ..... 62-5465

[52] U.S. Cl. .... D14/53; D14/64; D14/59; D14/52; D14/68; D14/70; 379/433

[58] Field of Search ..... D14/52, 53, 57, 63, D14/64, 62, 66, 68, 92; 379/61, 62, 419, 428, 433, 440, 444; D21/111; D18/12; 455/89, 90; 446/141, 142

[56] References Cited

U.S. PATENT DOCUMENTS

- D. 256,234 8/1980 Fukushima et al. .... D14/53
D. 256,235 8/1980 Fukashima et al. .... D14/53
D. 262,207 12/1981 Kaczkas ..... D14/64 X
D. 277,164 1/1985 Bevilagar ..... D14/53
D. 277,179 1/1985 Specht ..... D14/53
D. 278,626 4/1985 Takagi et al. .... D14/53
D. 279,372 6/1985 Boha et al. .... D14/52
D. 292,206 10/1987 Watanabe ..... D14/64 X
D. 292,513 10/1987 Gilberton ..... D14/64 X
4,646,344 2/1987 Goldhorn et al. .... 379/445
4,677,654 6/1987 Login et al. .... 379/59 X

OTHER PUBLICATIONS

Dec. 1985 issue Personal Communications Technology; at p. 17; Showing of American Cellular Telephones. Motorola Flyer Sheet; showing of Dyna T-A-C

6000X/Dyna T-A-C 6000 Cellular Transportable® Accessory. Radio Shack 1986 catalog Fall 1985; ©1985; at p. 77-- Cellular Phone for Car.

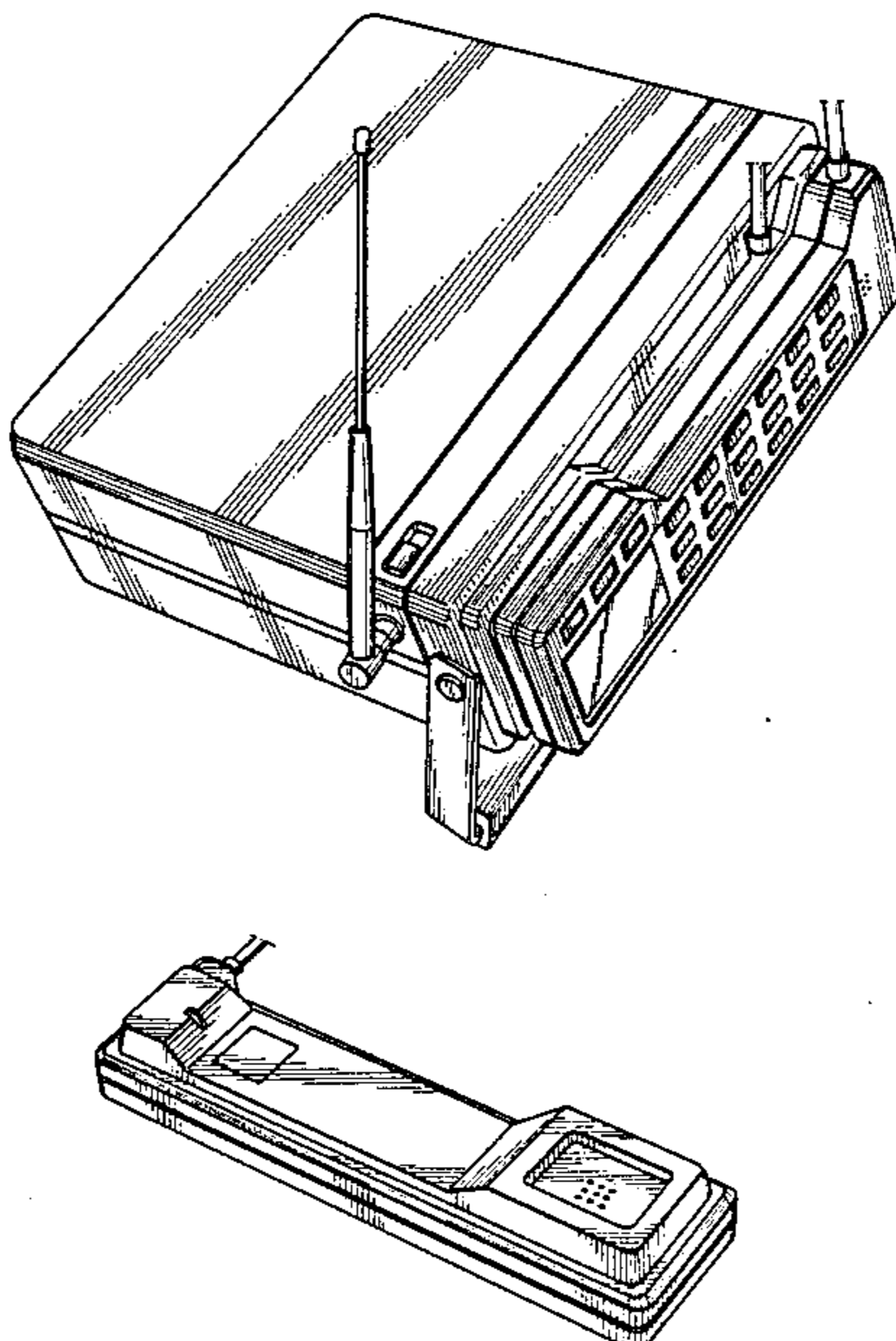
Primary Examiner—Horace B. Fay
Attorney, Agent, or Firm—Wenderoth, Lind & Ponack

[57] CLAIM

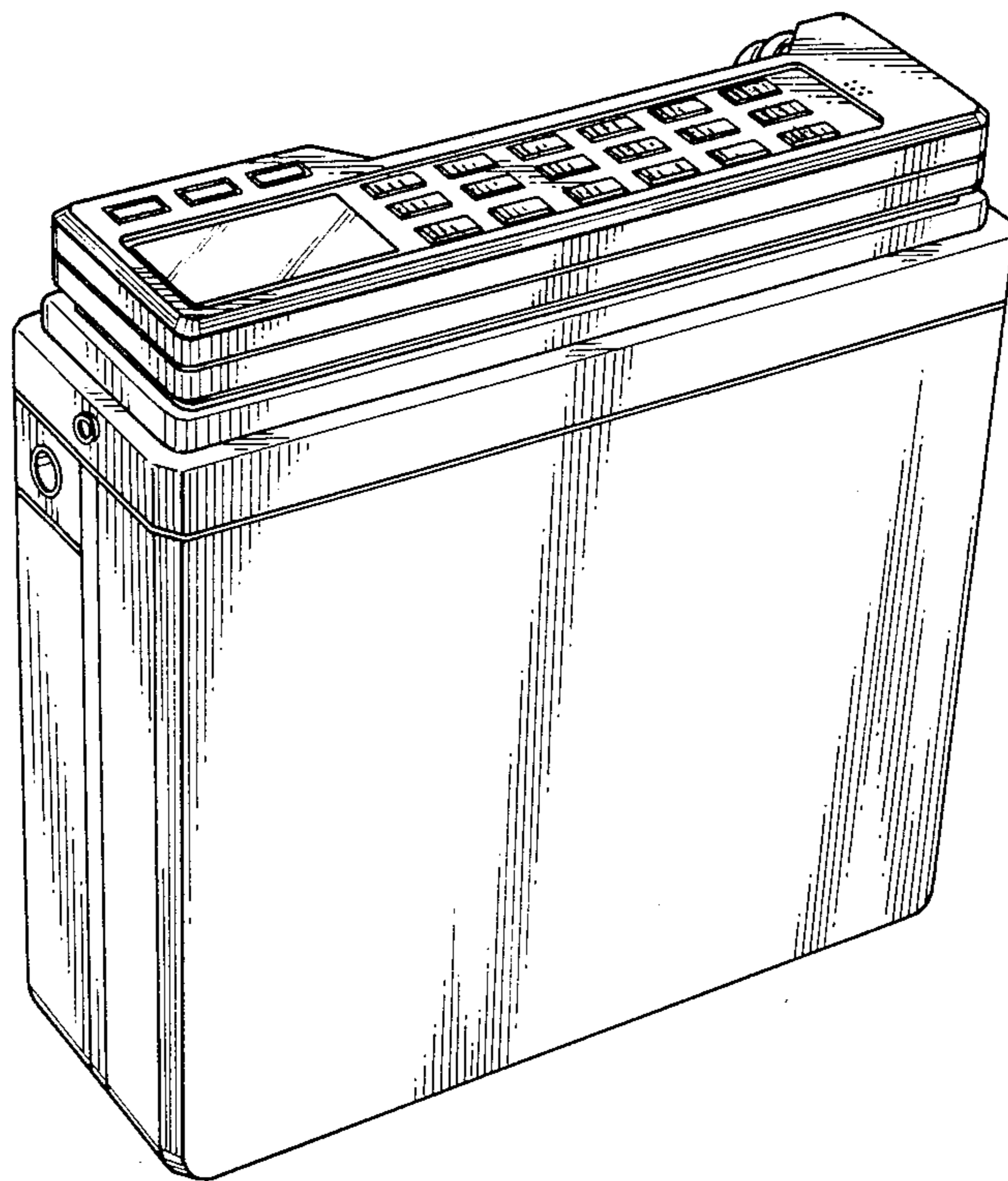
The ornamental design for a combination mobile, portable cellular handset radio telephone and support case, as shown and described.

DESCRIPTION

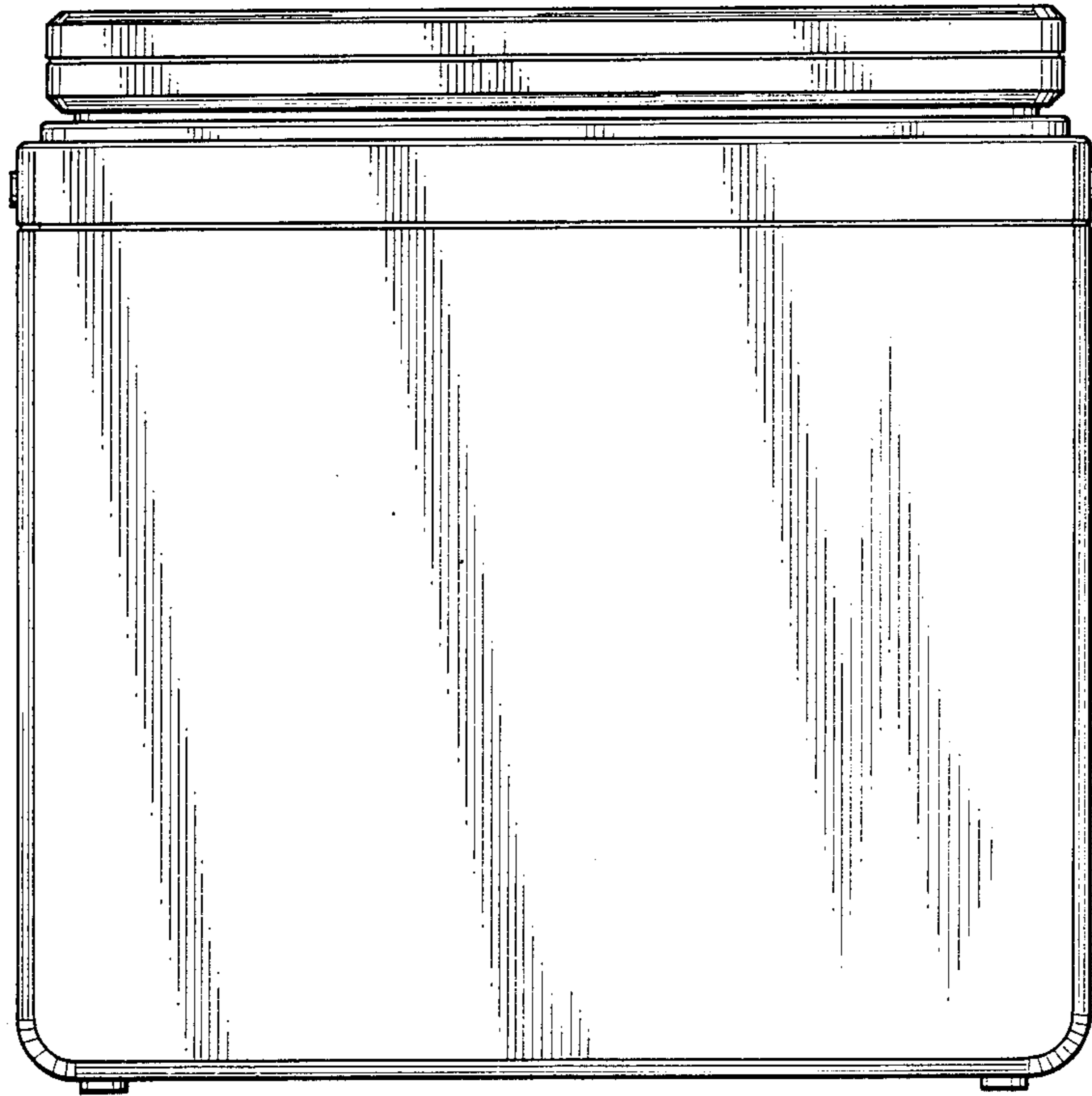
FIG. 1 is a front, top and left side perspective view of a combination mobile, portable cellular handset radio telephone and support case showing my new design in cradled relationship; FIGS. 2 and 3 are respectively front and rear elevational views thereof; FIGS. 4 and 5 are respectively top and bottom plan views thereof; FIGS. 6 and 7 are respectively left and right elevational views thereof; FIG. 8 is a sectional view taken on line VIII—VIII in FIG. 4 with interior construction omitted; FIG. 9 is a left side rear and top perspective view of a second embodiment thereof, the differences vis-a-vis the first embodiment being the addition of a carriage handle and an antenna to the support case; FIG. 10 is a front, bottom and left side perspective view of the handset shown alone; and, FIG. 11 is a perspective view thereof as of FIG. 1 of a third embodiment showing the support case with (1) extended antenna, and (2) virtually upright carriage handle and a perspective view of the handset, the differences vis-a-vis the handset as shown in FIG. 1 being (1) evidence in the display panel and on sundry pushbutton tops, of conventional letters, numerals, words and symbols of in-service nature. The broken line showing of the numerals in the display panel of the handset in FIG. 11 is for illustrative purposes only and forms no part of the claimed design.



*Fig. 1*



*Fig. 2*



*Fig. 3*

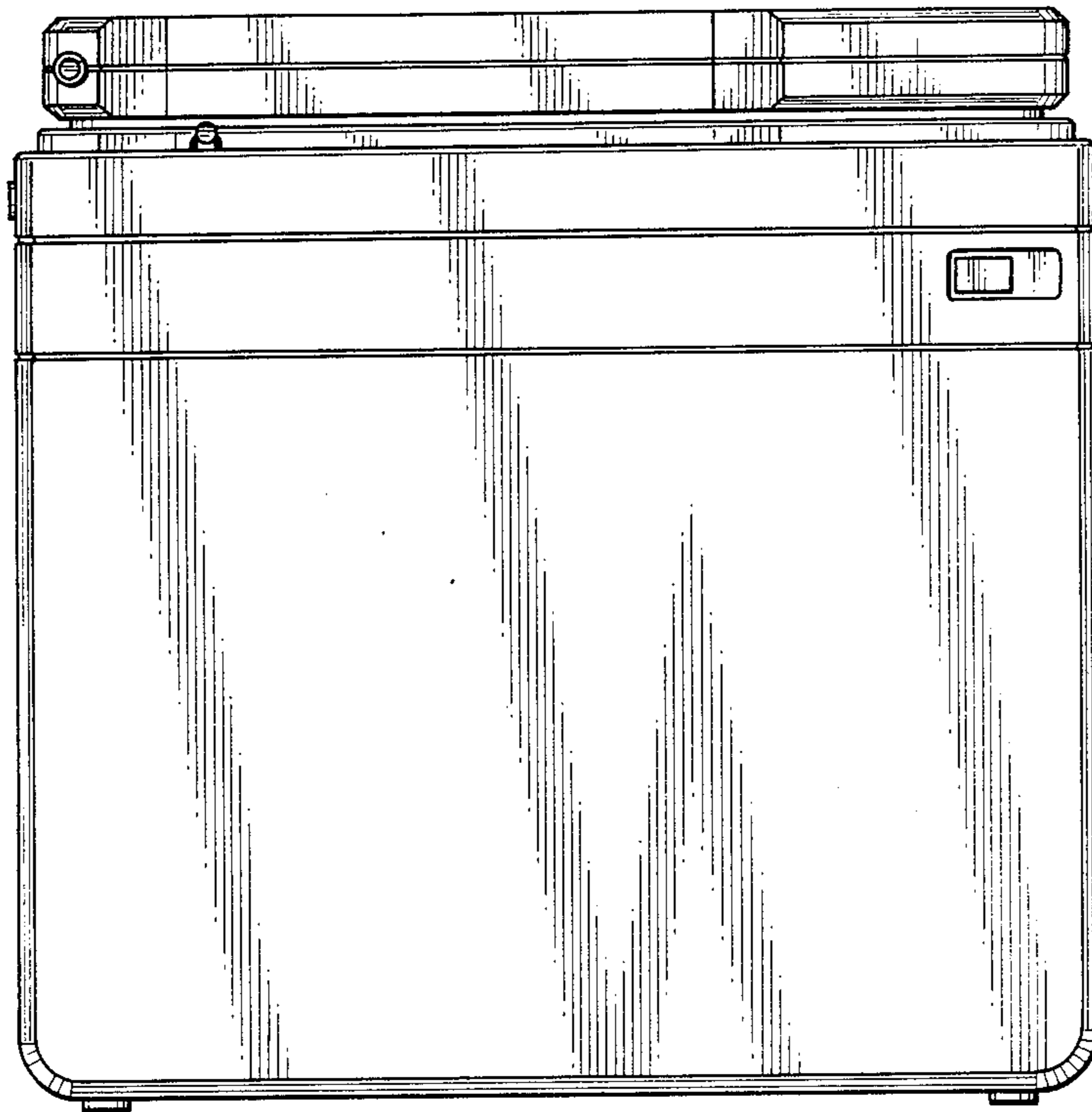


Fig. 4

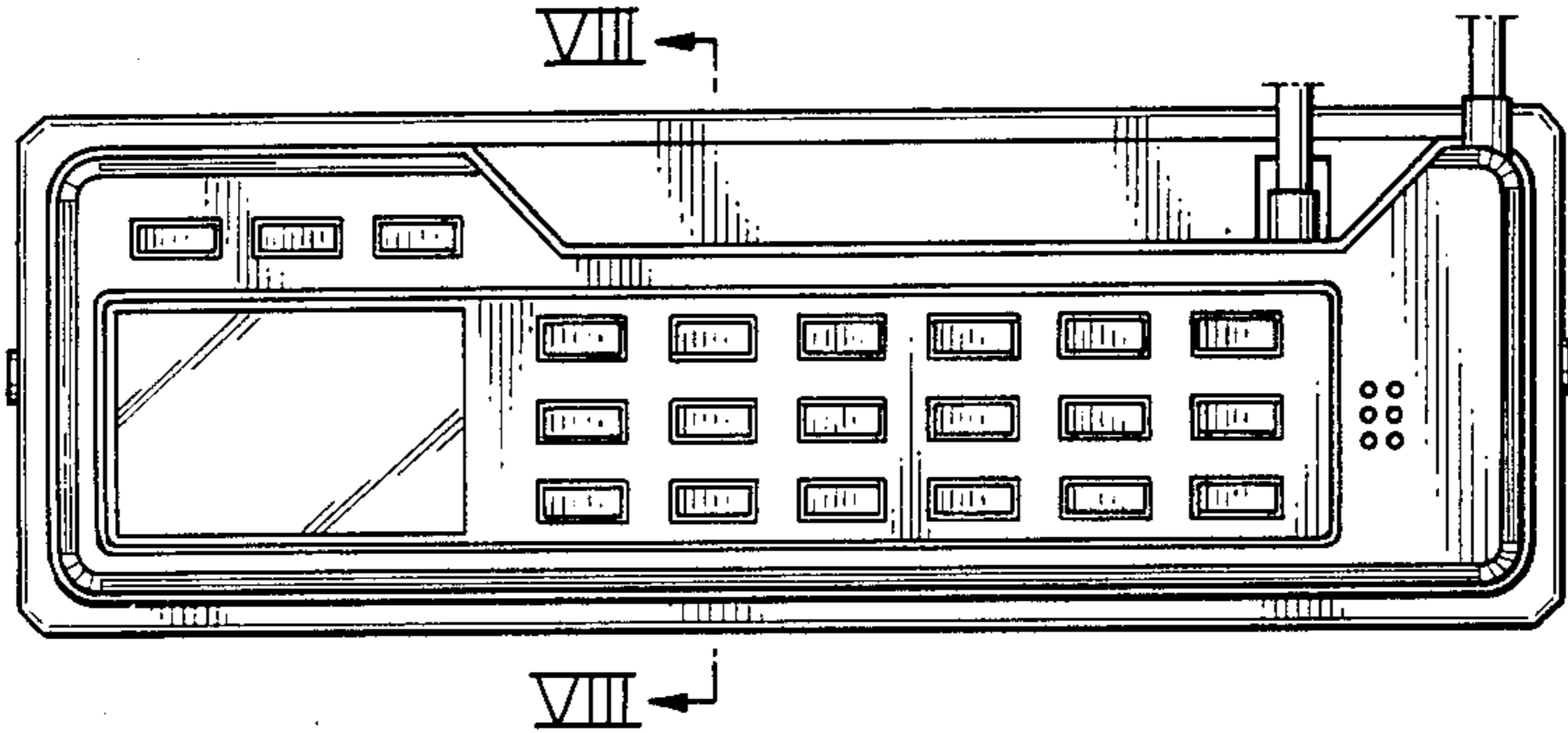


Fig. 5

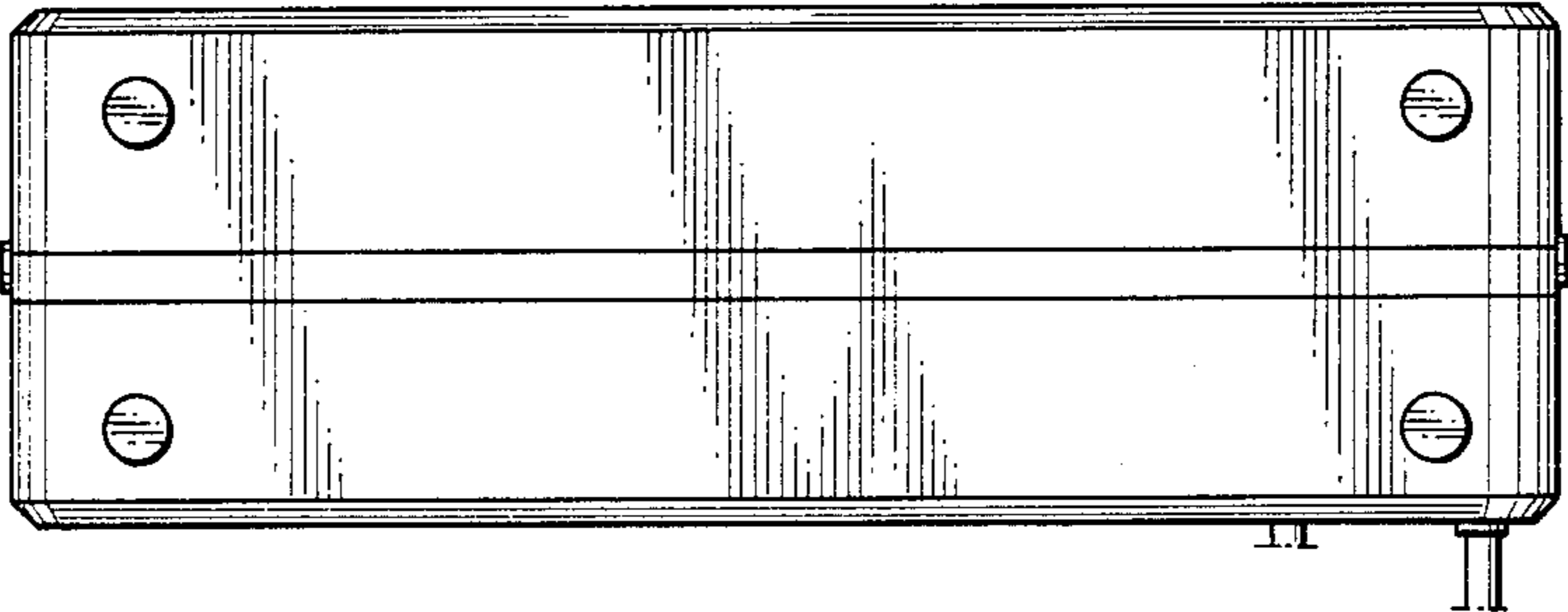


Fig. 8

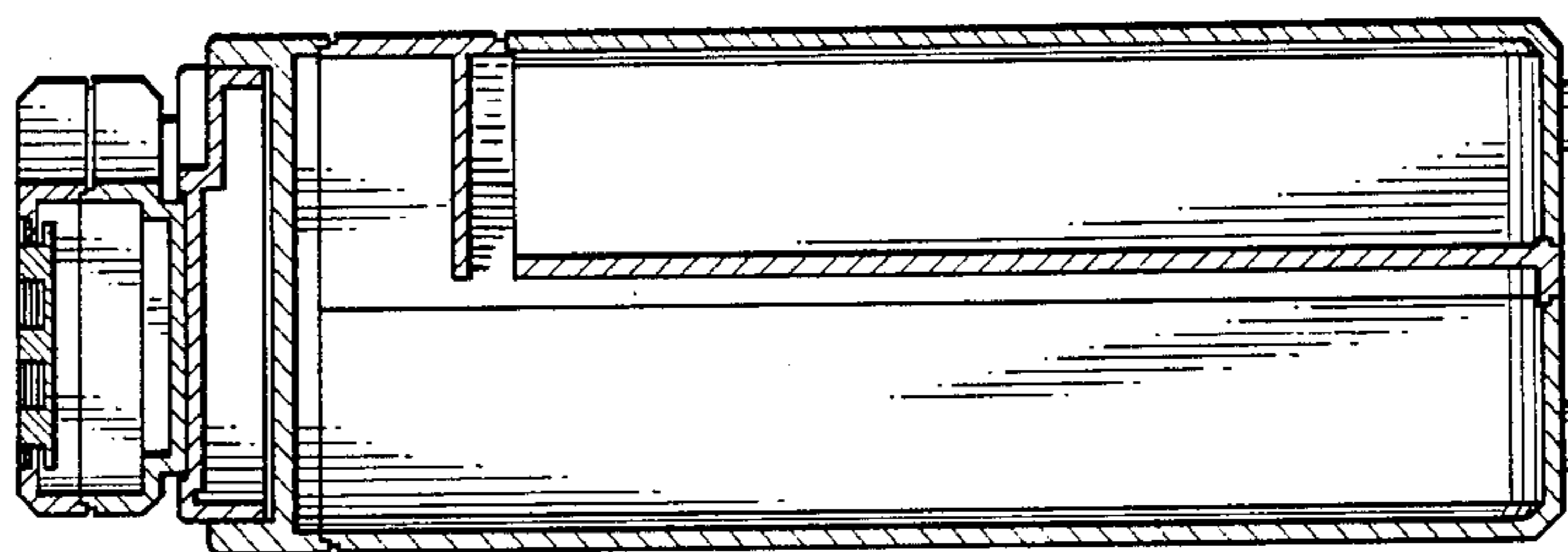


Fig. 7

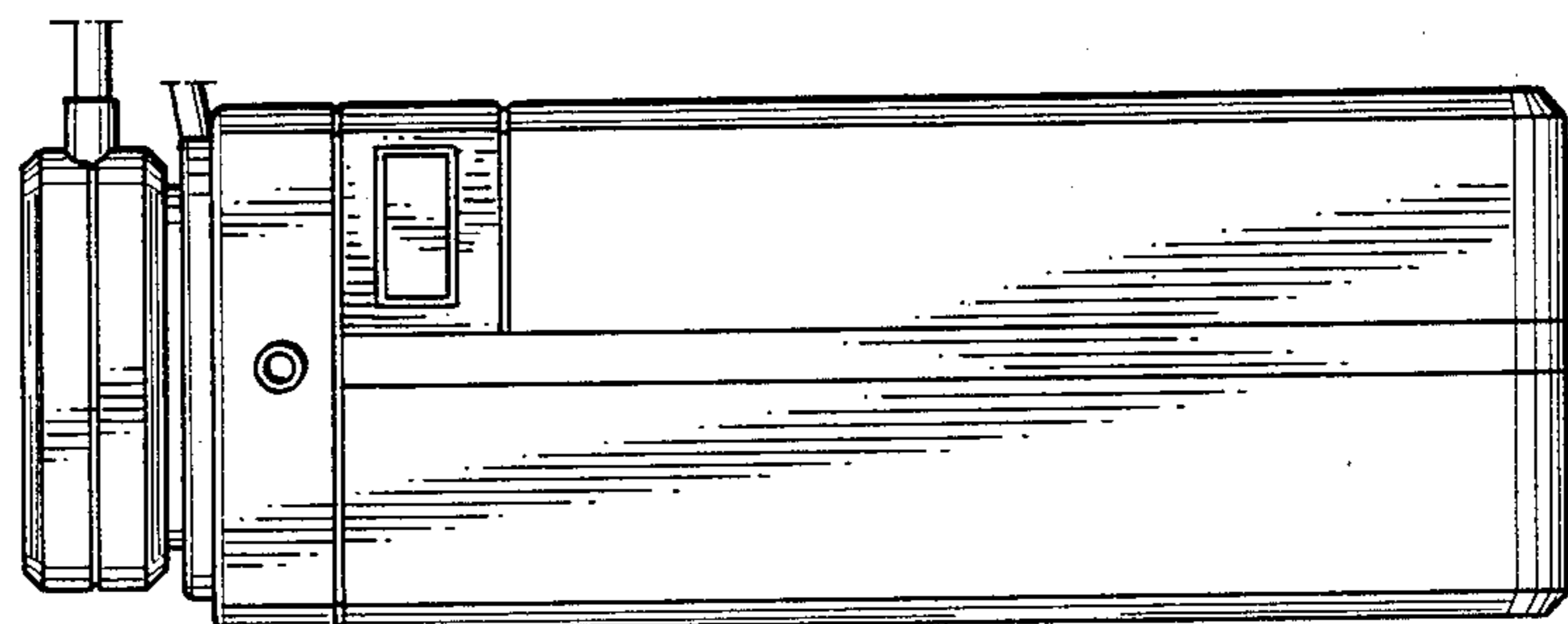


Fig. 6

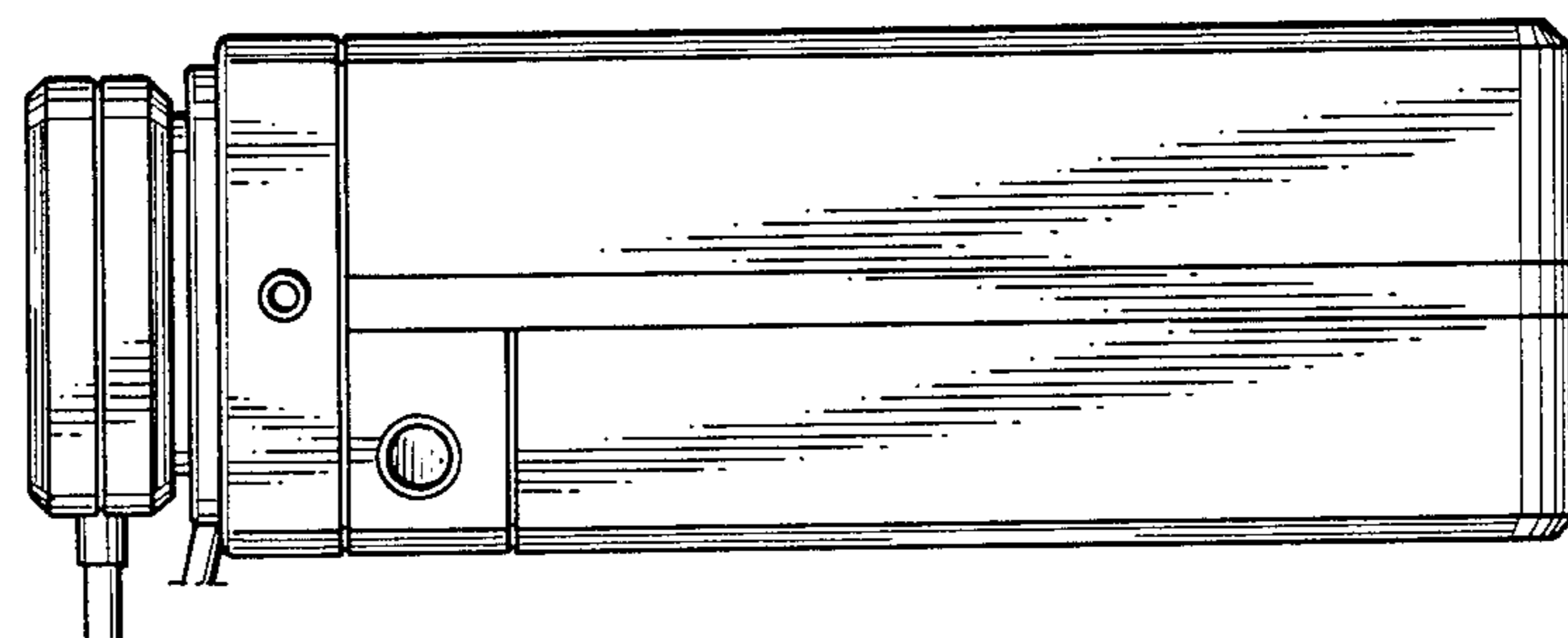


Fig. 9

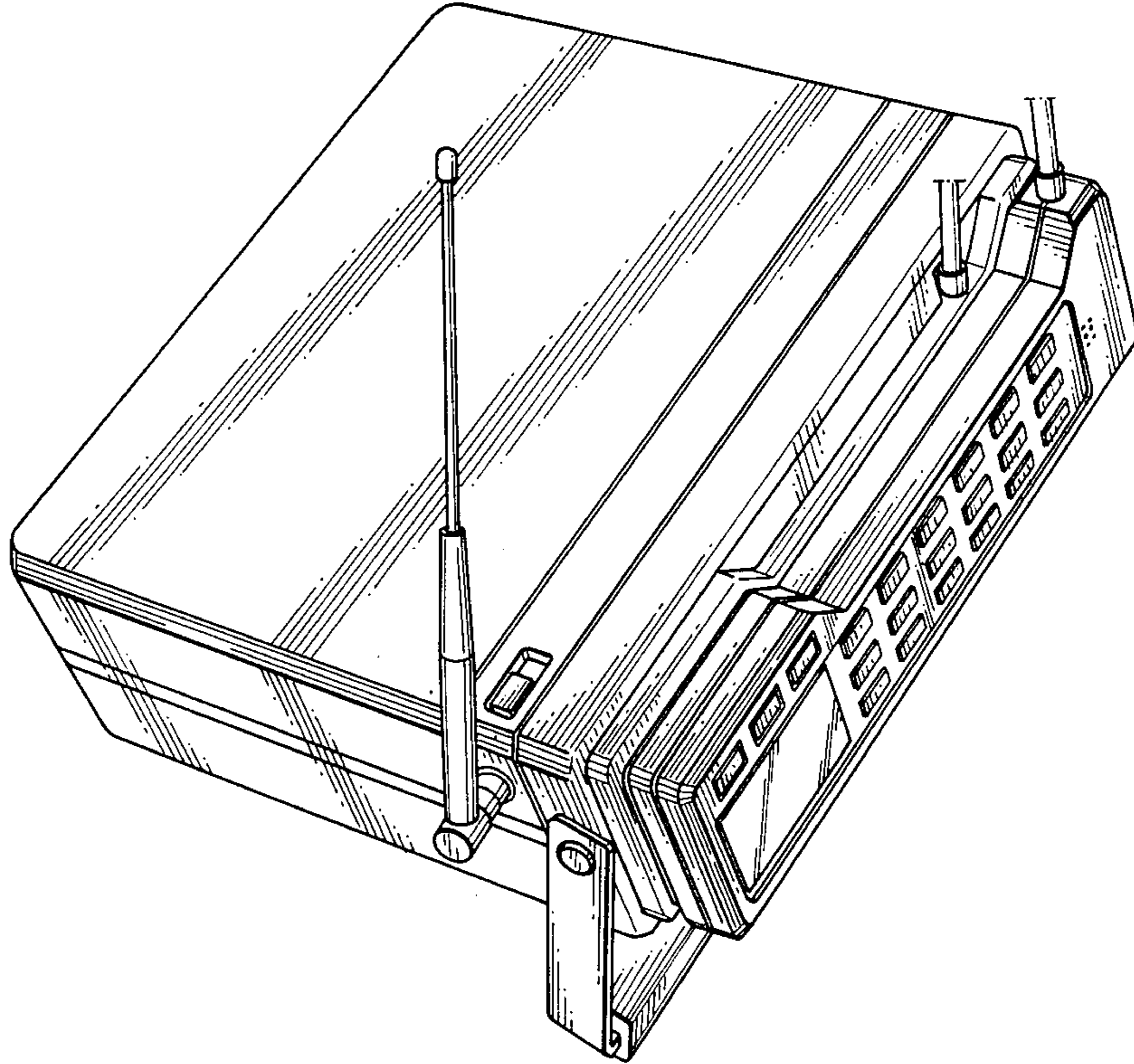


Fig. 10

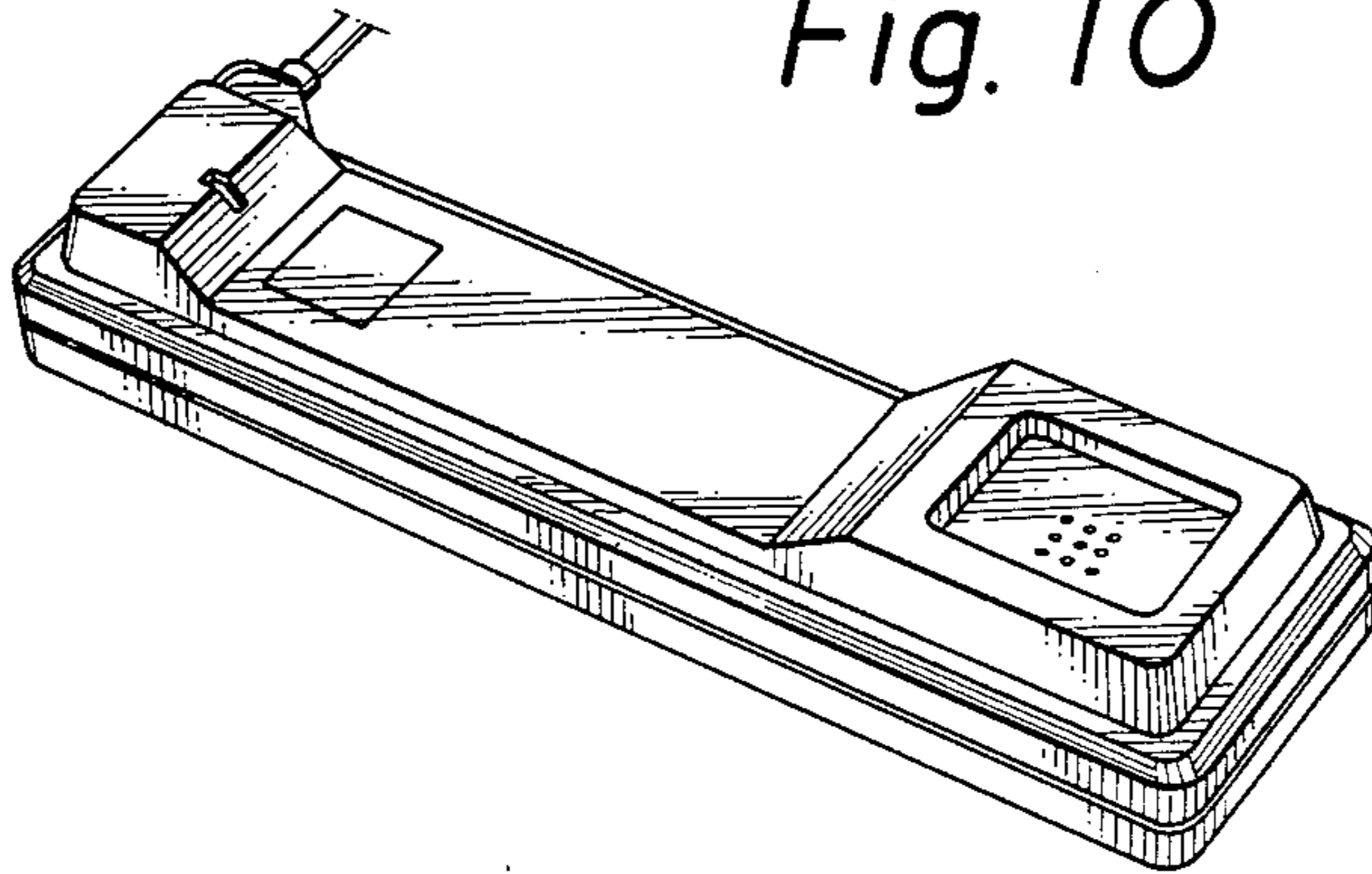


Fig. 11

