

[54] **FUSE HOLDER**

[75] **Inventor: Barry E. Beard, Hertfordshire, England**

[73] **Assignee: Cambridge Electric Industries plc, Cambridge, England**

[\*\*] **Term: 14 Years**

[21] **Appl. No.: 753,149**

[22] **Filed: Jul. 9, 1985**

[30] **Foreign Application Priority Data**

Jan. 22, 1985 [GB] United Kingdom ..... 1024570  
 [52] **U.S. Cl. .... D13/35**  
 [58] **Field of Search .... D13/35, 40-41, D13/99; 337/186, 227, 228, 231, 234, 241; 174/48, 67; D20/334; 361/430**

[56] **References Cited**

**U.S. PATENT DOCUMENTS**

D. 272,242 1/1984 Holce et al. .... D13/40  
 3,432,789 3/1969 Poehlman, Jr. .... 337/186  
 4,511,875 4/1985 Arikawa ..... 337/231  
 4,616,207 10/1986 Knapp, Jr. et al. .... 337/227

**FOREIGN PATENT DOCUMENTS**

418918 11/1934 United Kingdom .

916765 1/1963 United Kingdom .  
 1164131 9/1969 United Kingdom .  
 1567323 5/1980 United Kingdom .  
 2043361 10/1980 United Kingdom .

*Primary Examiner*—Wallace R. Burke  
*Assistant Examiner*—Ruth Takemoto  
*Attorney, Agent, or Firm*—Oblon, Fisher, Spivak, McClelland & Maier

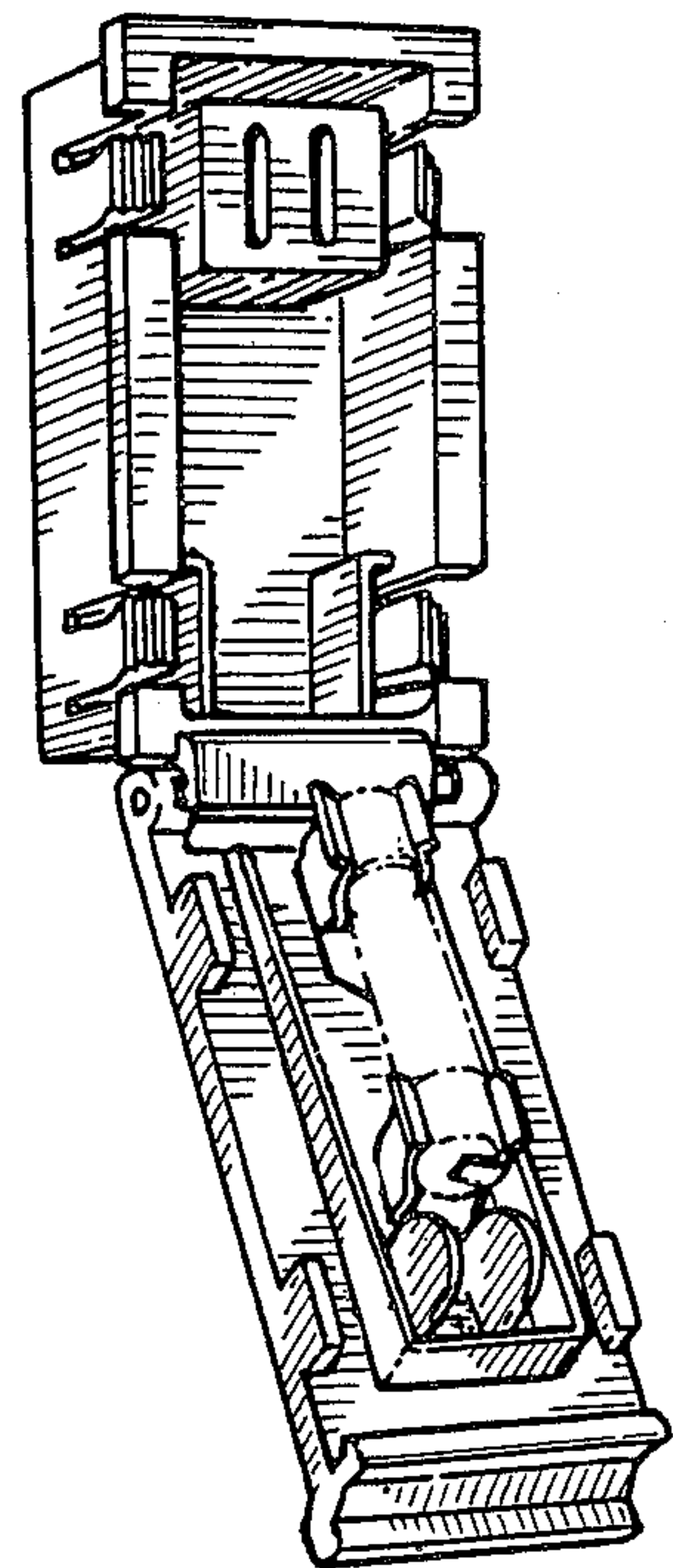
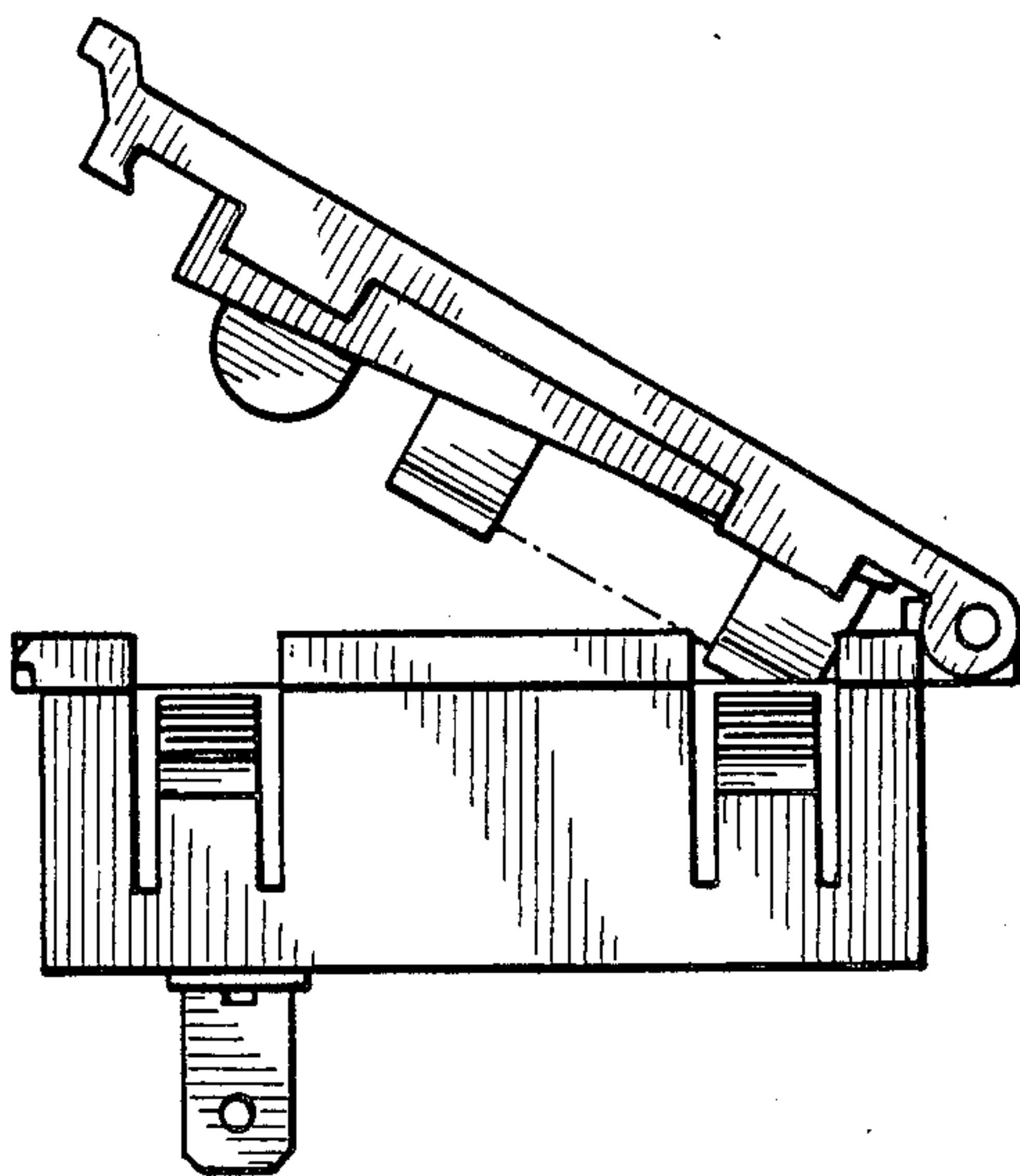
[57] **CLAIM**

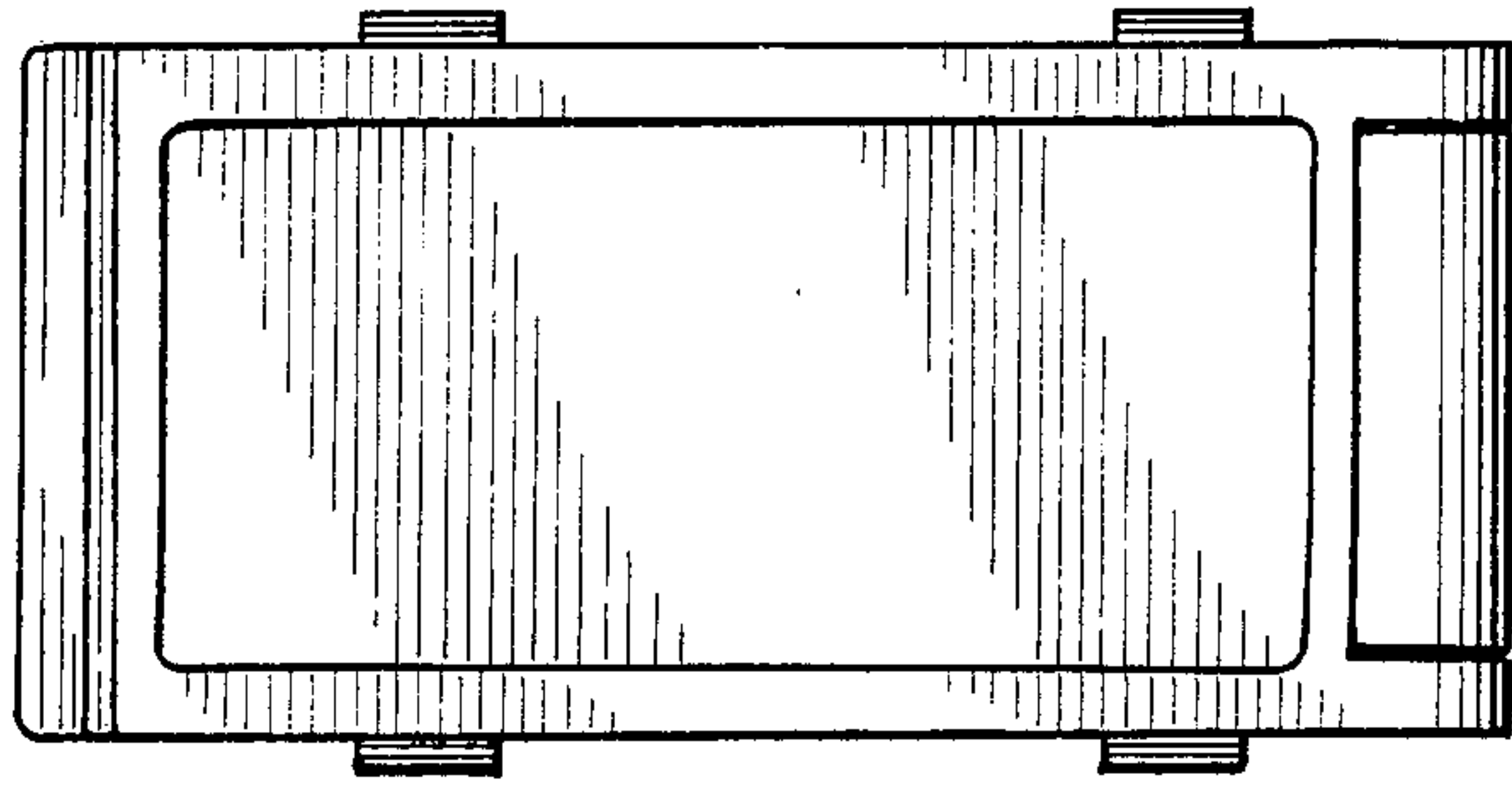
The ornamental design for a fuse holder, as shown and described.

**DESCRIPTION**

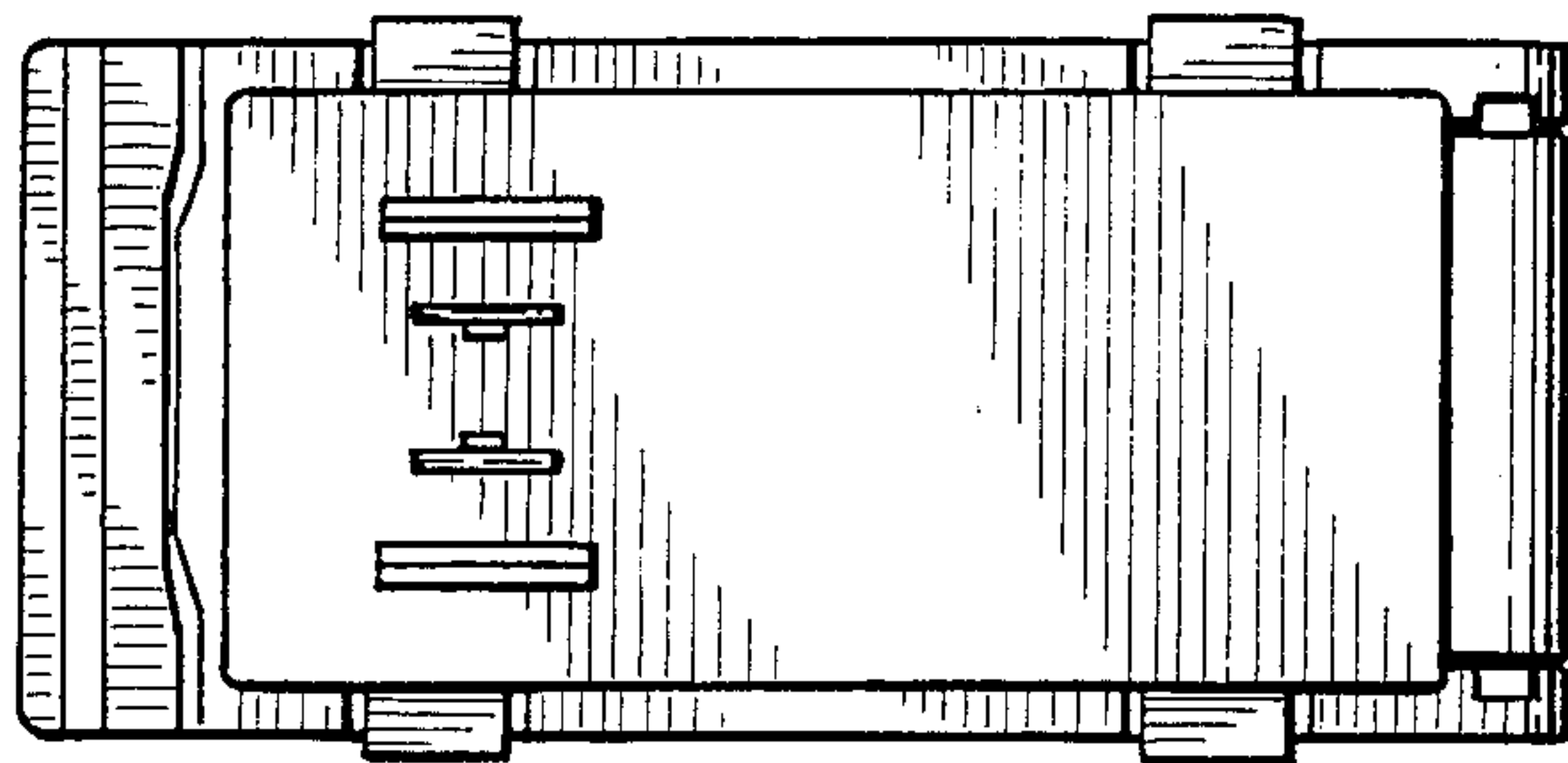
FIG. 1 is a top plan view of a fuse holder in a closed position showing my new design;  
 FIG. 2 is a bottom plan view thereof;  
 FIG. 3 is a right side elevational view thereof in a partially open position;  
 FIG. 4 is a right side elevational view thereof, the left side being a mirror image;  
 FIG. 5 is a front elevational view thereof;  
 FIG. 6 is a rear elevational view thereof; and  
 FIG. 7 is a perspective view thereof in an open condition.

The fuse shown in broken lines in FIGS. 3 and 7 is for illustrative purposes only and forms no part of the claimed design.

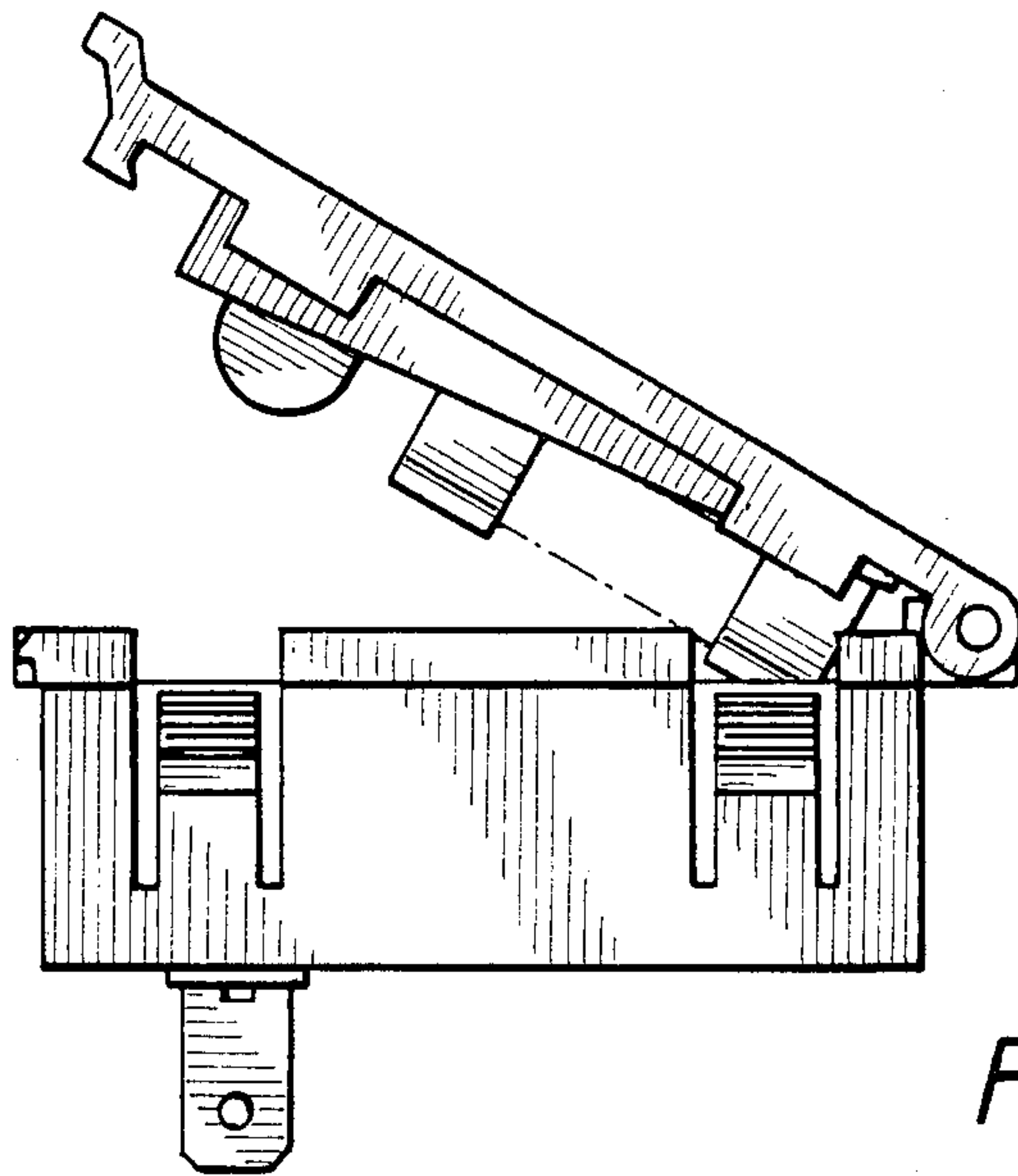




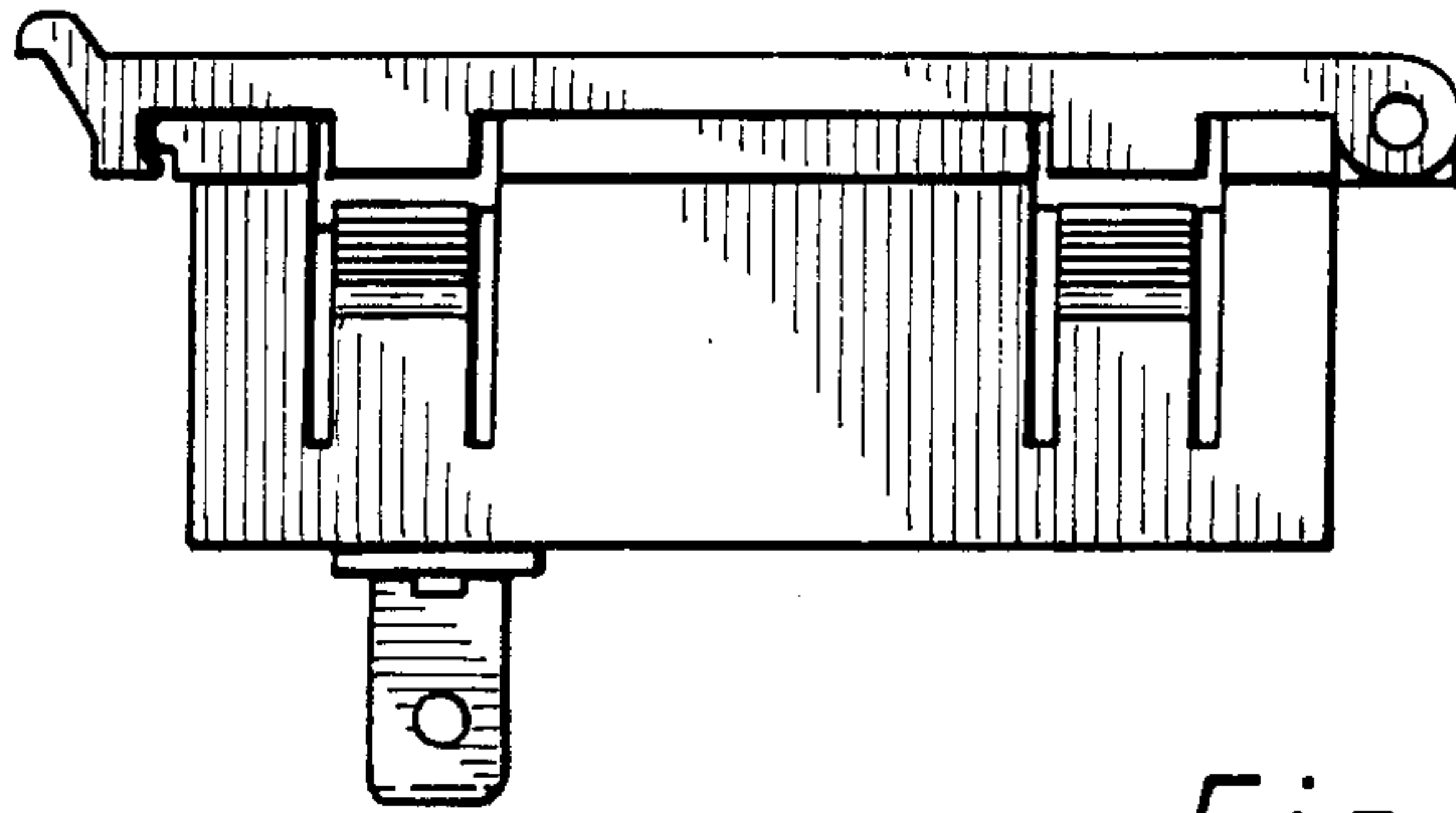
*Fig. 1*



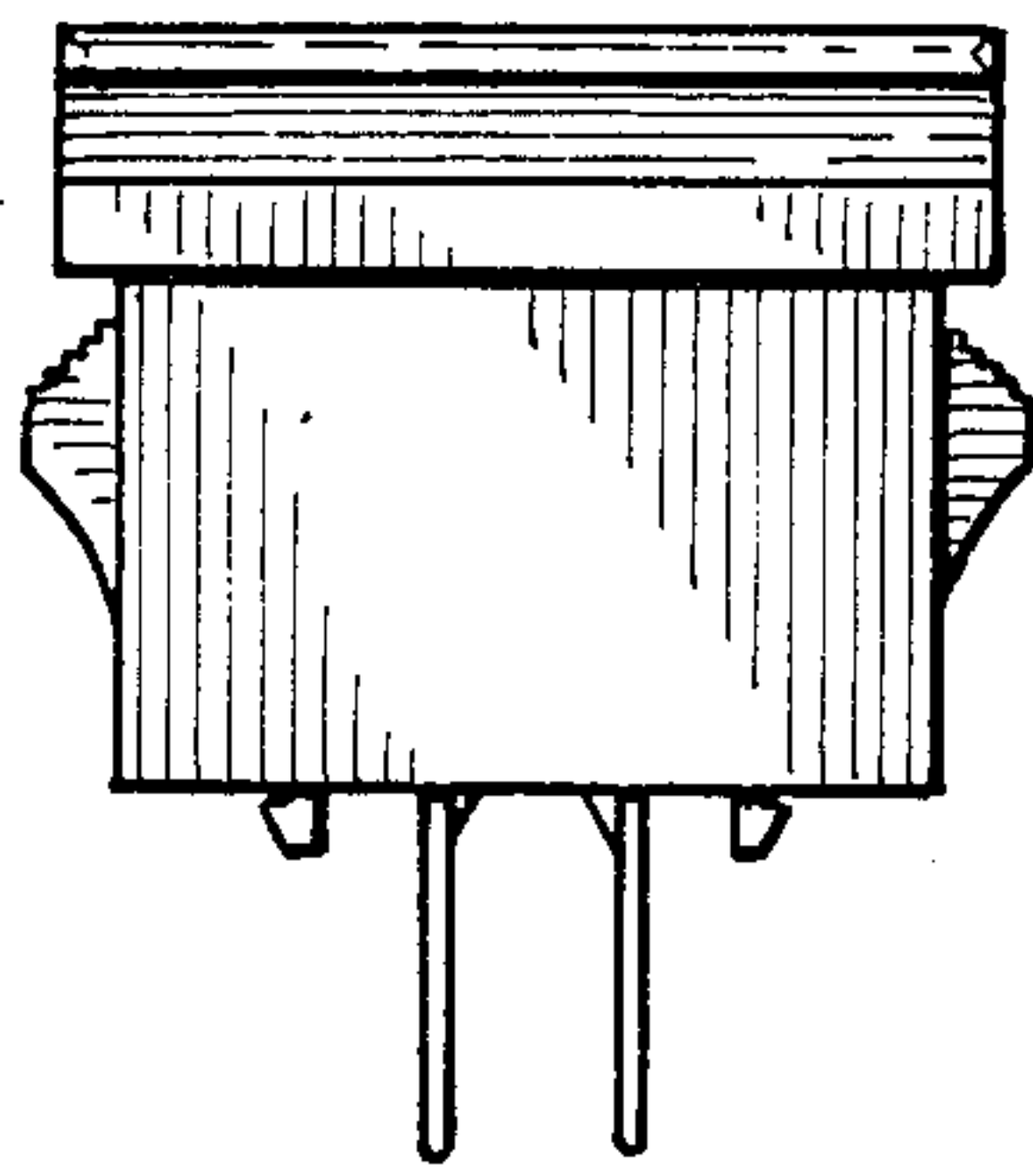
*Fig. 2*



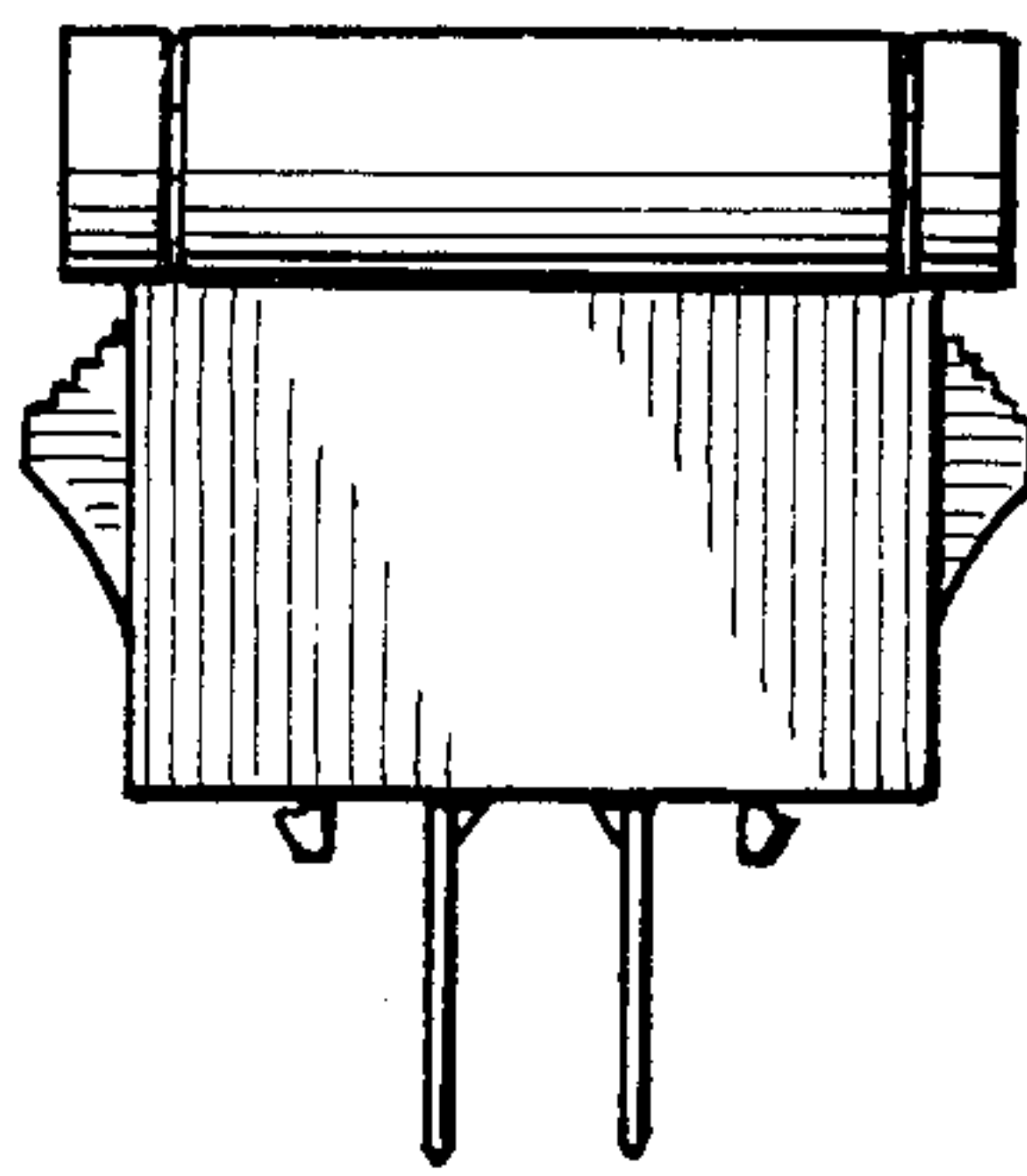
*Fig. 3*



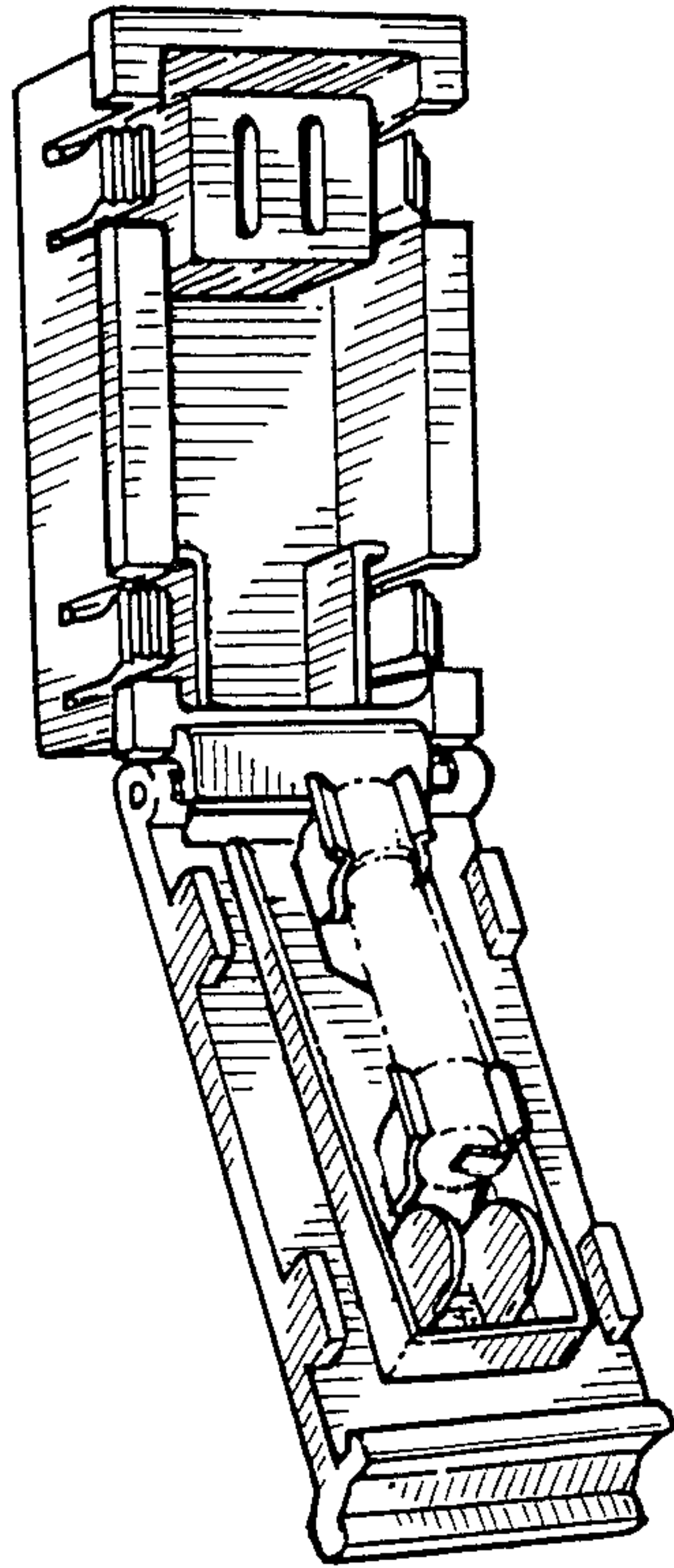
*Fig. 4*



*Fig. 5*



*Fig. 6*



*Fig.7*

UNITED STATES PATENT AND TRADEMARK OFFICE  
**CERTIFICATE OF CORRECTION**

PATENT NO. : Des. 298,123  
DATED : Oct. 18, 1988  
INVENTOR(S) : Barry E. BEARD

It is certified that error appears in the above-identified patent and that said Letters Patent is hereby corrected as shown below: On the Title Page, Item [73]:

The Assignee's name should read as follows:

-- Cambridge Electronic Industries plc --

**Signed and Sealed this  
Twenty-eighth Day of March, 1989**

*Attest:*

DONALD J. QUIGG

*Attesting Officer*

*Commissioner of Patents and Trademarks*