

[54] BRANCHING CABLE ELECTRICAL CONNECTOR

[75] Inventor: Satoru Furuhashi, Osaka, Japan

[73] Assignee: Hosiden Electronics Co., Ltd., Osaka, Japan

[\*\*] Term: 14 Years

[21] Appl. No.: 789,549

[22] Filed: Oct. 21, 1985

[30] Foreign Application Priority Data

May 2, 1985 [JP] Japan ..... 60-18320
[52] U.S. Cl. .... D13/24; D13/28
[58] Field of Search ..... D13/24-31; 439/502, 418, 445, 460

[56] References Cited

U.S. PATENT DOCUMENTS

Table with 4 columns: Patent No., Date, Inventor, and U.S. Cl. No. containing references to Wilson, Knapp, Hammell et al., and Shimada.

FOREIGN PATENT DOCUMENTS

1240433 7/1960 France ..... 439/418

OTHER PUBLICATIONS

AMP Catalog No. 905, Jun. 1966, Sub-Miniature Pin & Socket Type Connector/Elec. Conn.

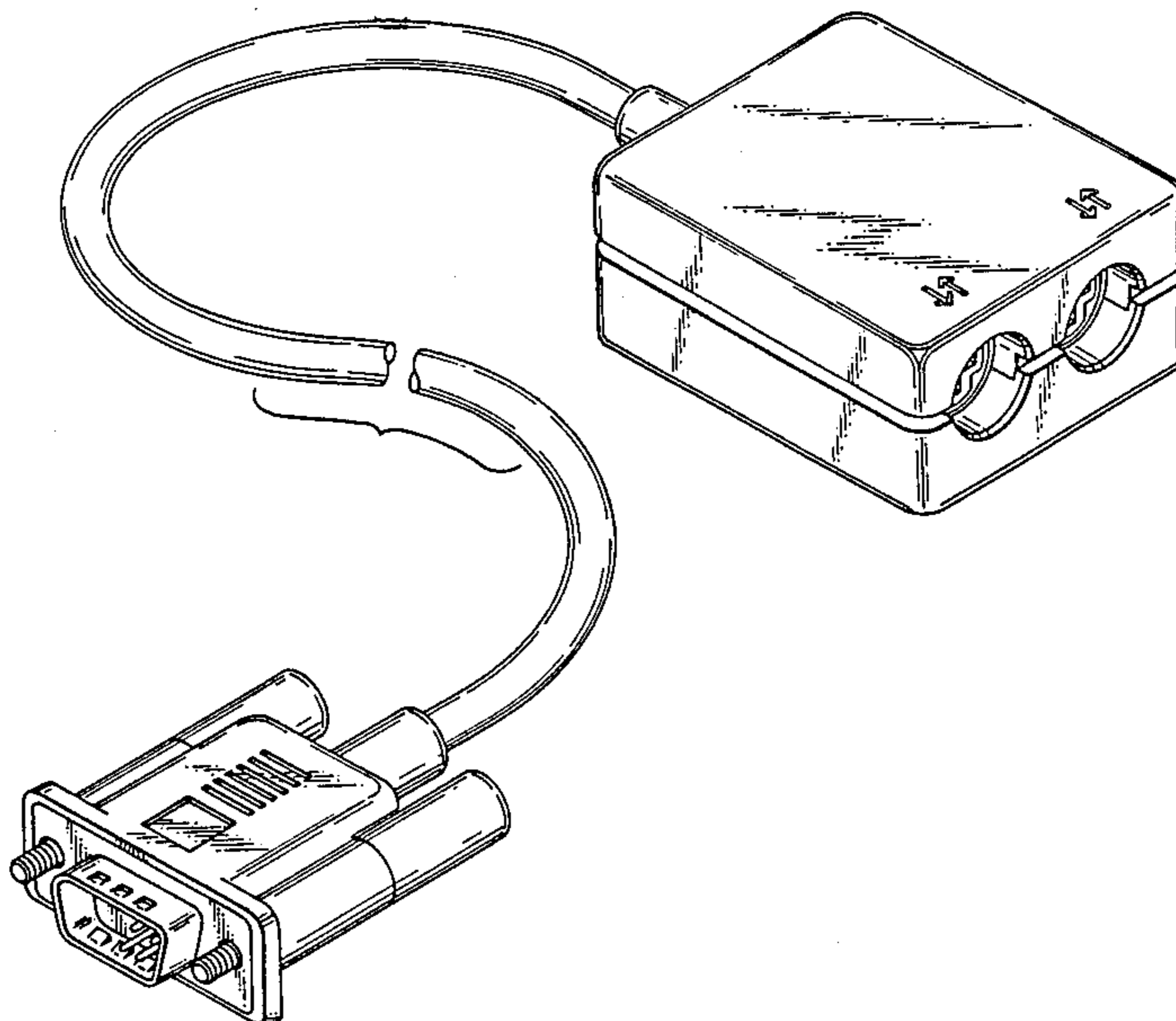
Primary Examiner—Wallace R. Burke
Assistant Examiner—Clare E. Heflin
Attorney, Agent, or Firm—Pollock, Vande Sande and Priddy

[57] CLAIM

The ornamental design for a branching cable electrical connector, substantially as shown and described.

DESCRIPTION

FIG. 1 is a perspective view of the branching cable electrical connector showing my new design; FIG. 2 is a side elevational view thereof, the opposite side being a mirror image; FIG. 3 is a top plan view thereof; FIG. 4 is a bottom plan view thereof; FIG. 5 is an end elevational view thereof; FIG. 6 is an opposite end elevational view thereof. The cable is shown broken away in FIGS. 1-4 for ease of illustration only.



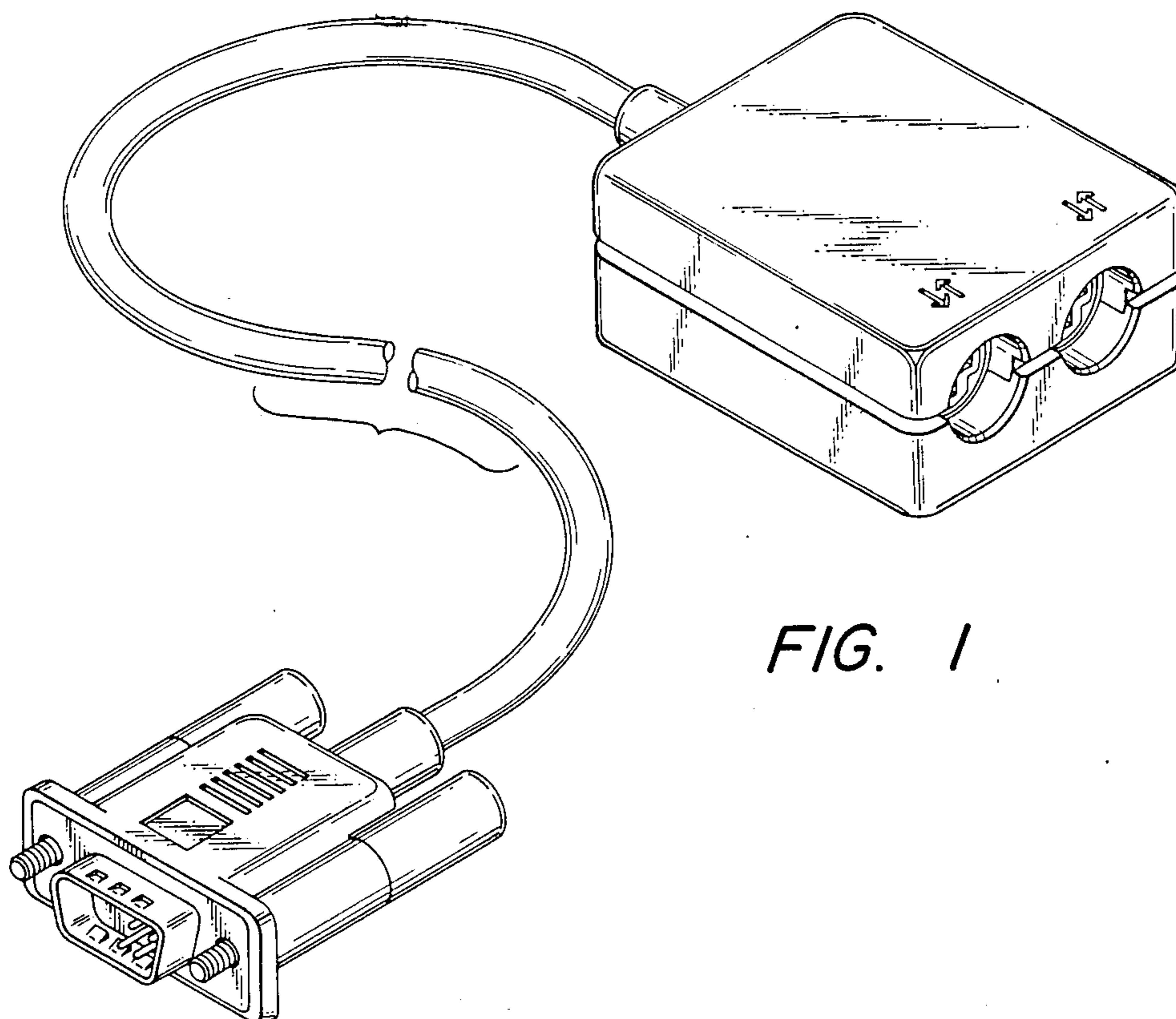


FIG. 1

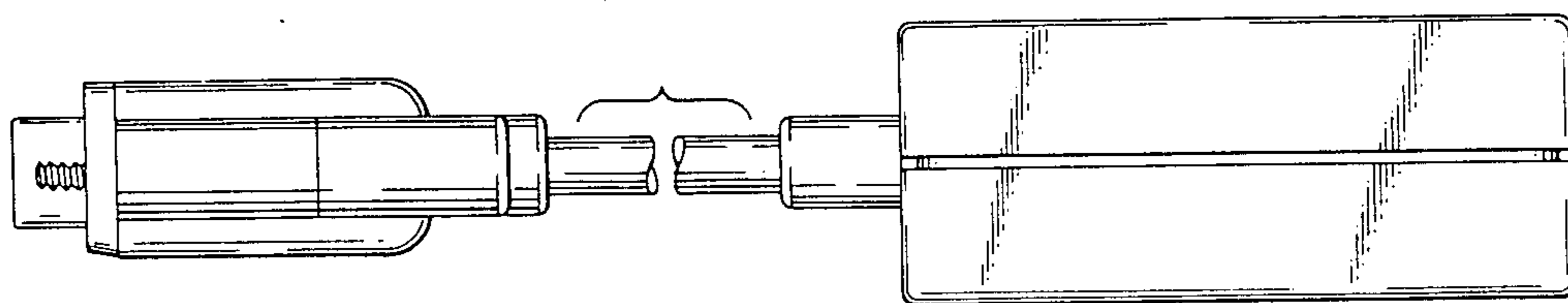


FIG. 2

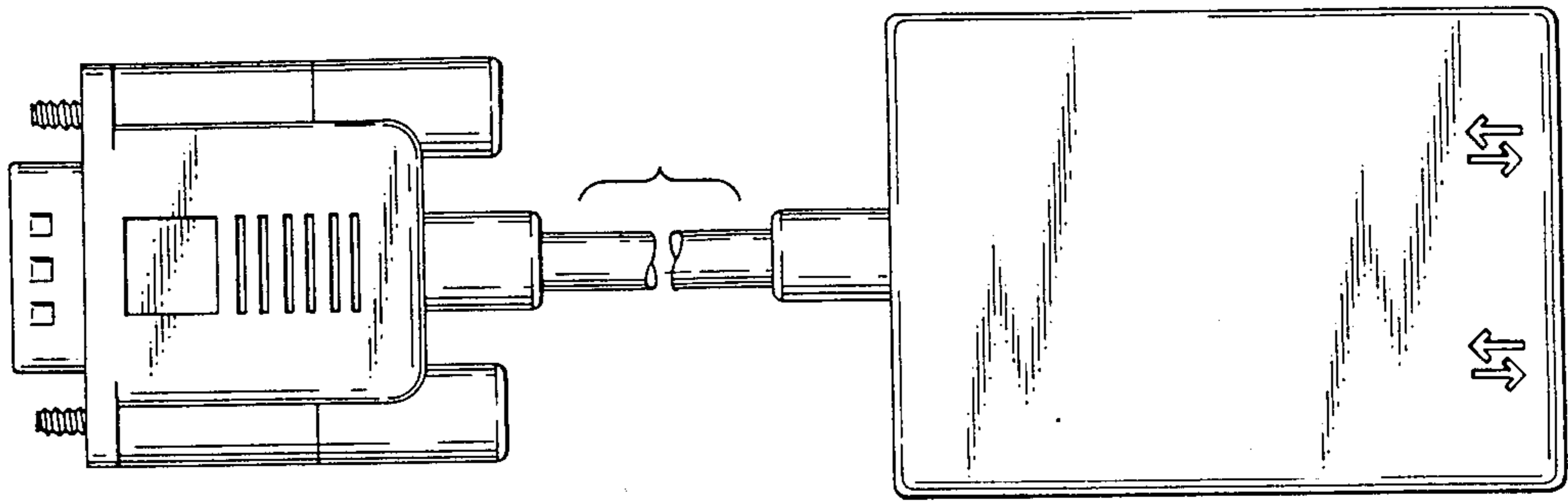


FIG. 3

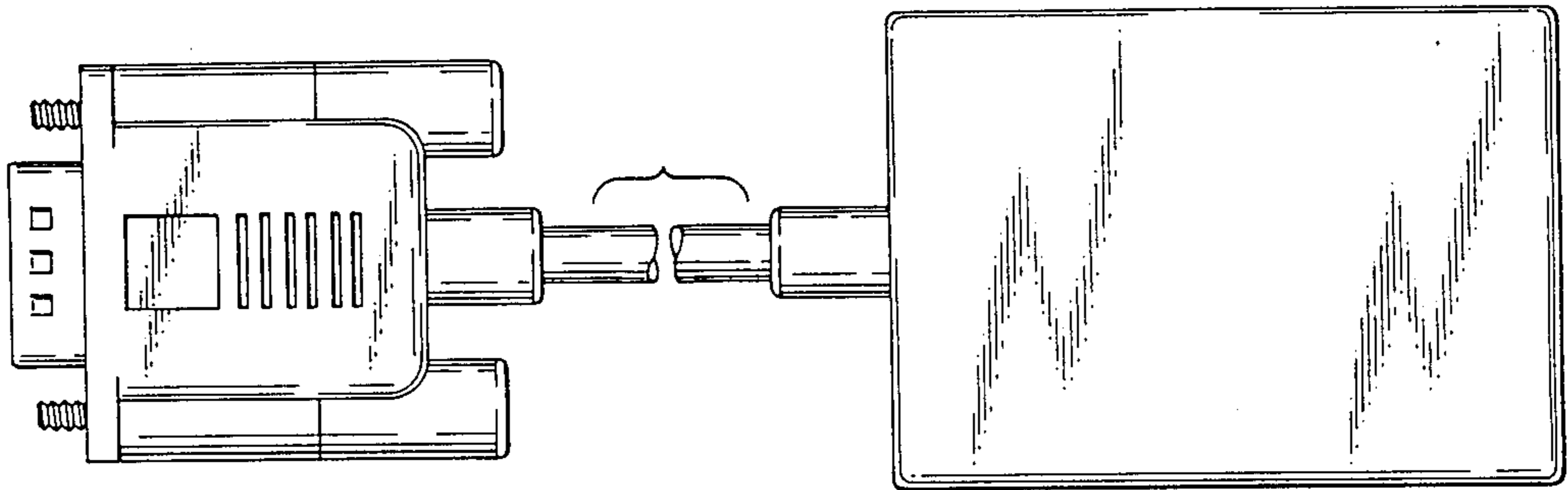


FIG. 4

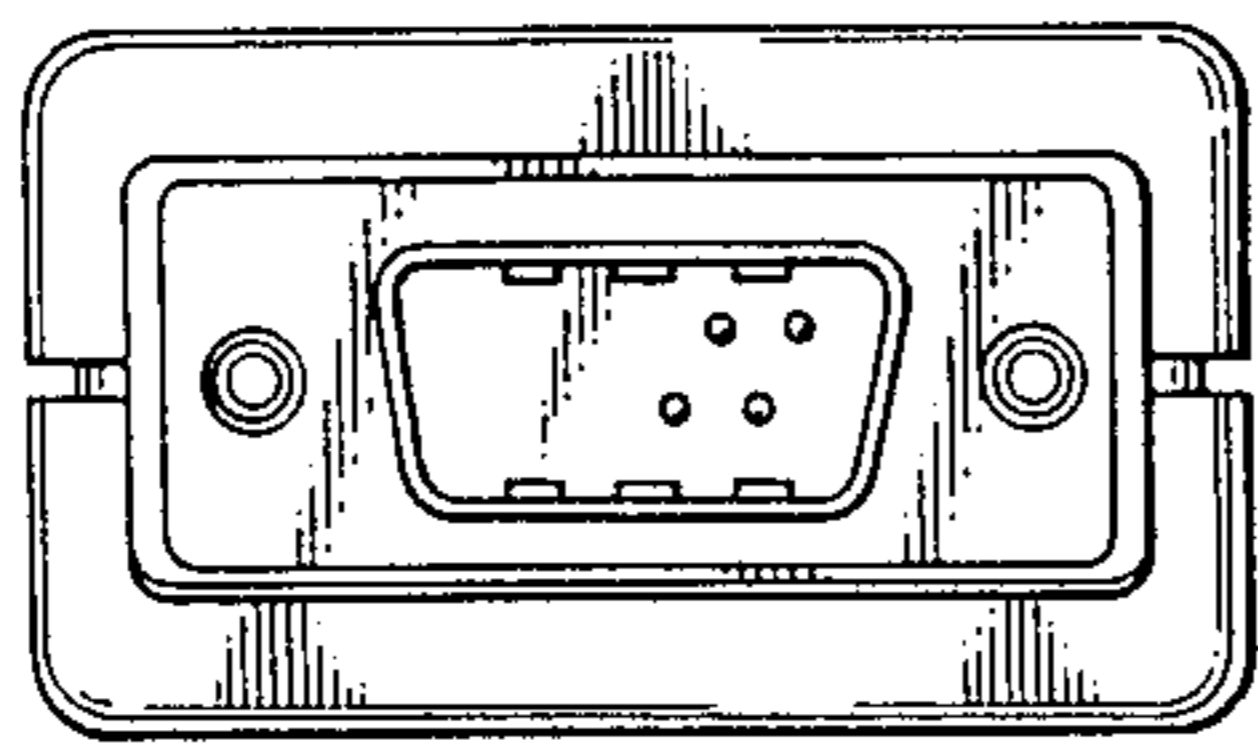


FIG. 5

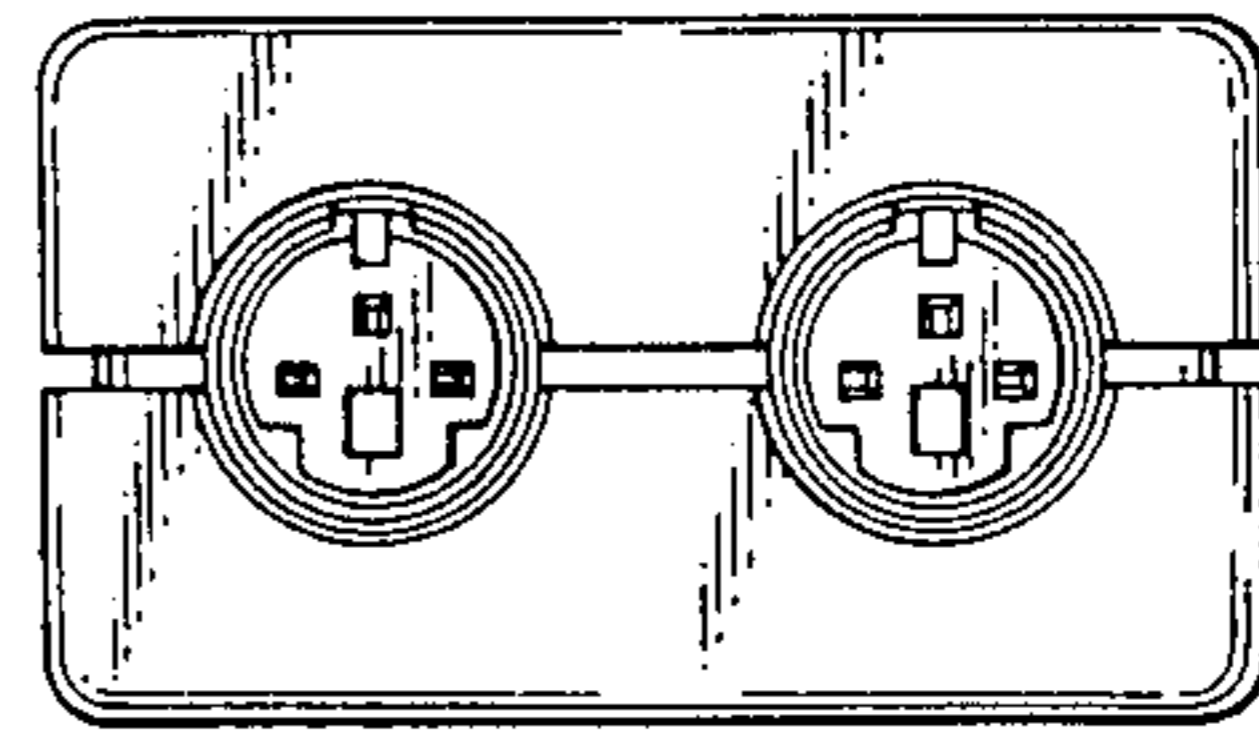


FIG. 6