

United States Patent [19]

Richards et al.

[11] Patent Number: Des. 298,119

[45] Date of Patent: ** Oct. 18, 1988

[54] BATTERY CHARGER FOR A PORTABLE RADIO OR SIMILAR ARTICLE

[75] Inventors: Scott H. Richards, Sunrise; Bruce A. Claxton, Coral Springs; Nestor F. Rivera, Sunrise, all of Fla.

[73] Assignee: Motorola, Inc., Schaumburg, Ill.

[**] Term: 14 Years

[21] Appl. No.: 937,650

[22] Filed: Nov. 28, 1986

[52] U.S. Cl. D13/6; D14/76; D14/99

[58] Field of Search D13/4-6, D13/11; 320/2-5; 363/144; D14/68, 76, 99

[56] **References Cited**

U.S. PATENT DOCUMENTS

- D. 206,805 1/1967 Cunitz D13/5
- D. 274,903 7/1984 Eckmann et al. D13/5

- D. 276,149 10/1984 Eckmann et al. D13/5
- D. 277,662 2/1985 Huntington et al. D13/5
- D. 278,228 4/1985 Liataud et al. D13/5

Primary Examiner—Wallace R. Burke
Assistant Examiner—Ruth Takemoto
Attorney, Agent, or Firm—Daniel K. Nichols

[57] **CLAIM**

The ornamental design for a battery charger for a portable radio or similar article, as shown and described.

DESCRIPTION

FIG. 1 is a front, top and left side perspective view of a battery charger for a portable radio or similar article showing our new design;
FIG. 2 is a top plan view thereof;
FIG. 3 is a left side elevational view thereof;
FIG. 4 is a right side elevational view thereof;
FIG. 5 is a front elevational view thereof;
FIG. 6 is a rear elevational view thereof; and
FIG. 7 is a bottom plan view thereof.

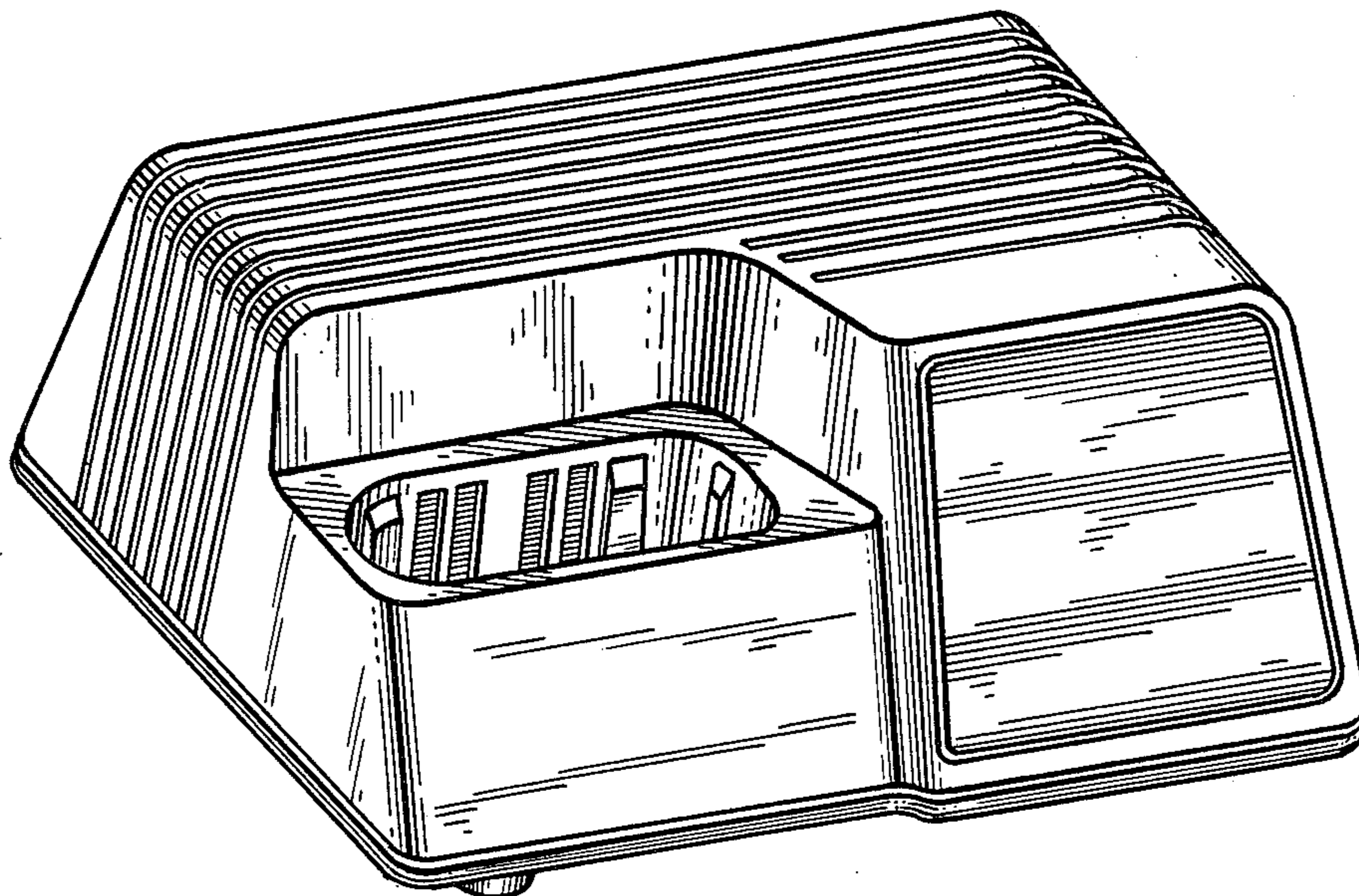


FIG. 1

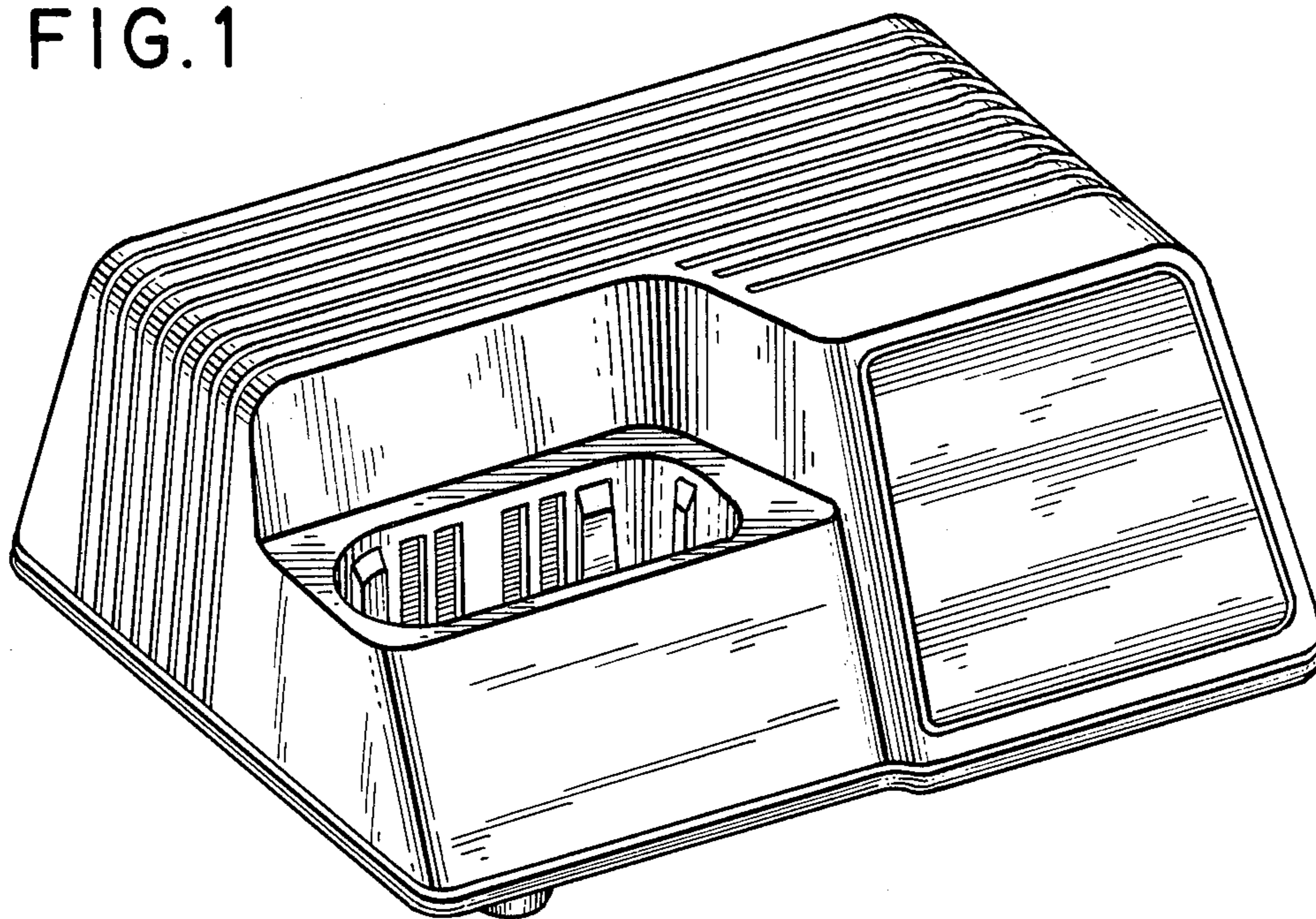


FIG. 2

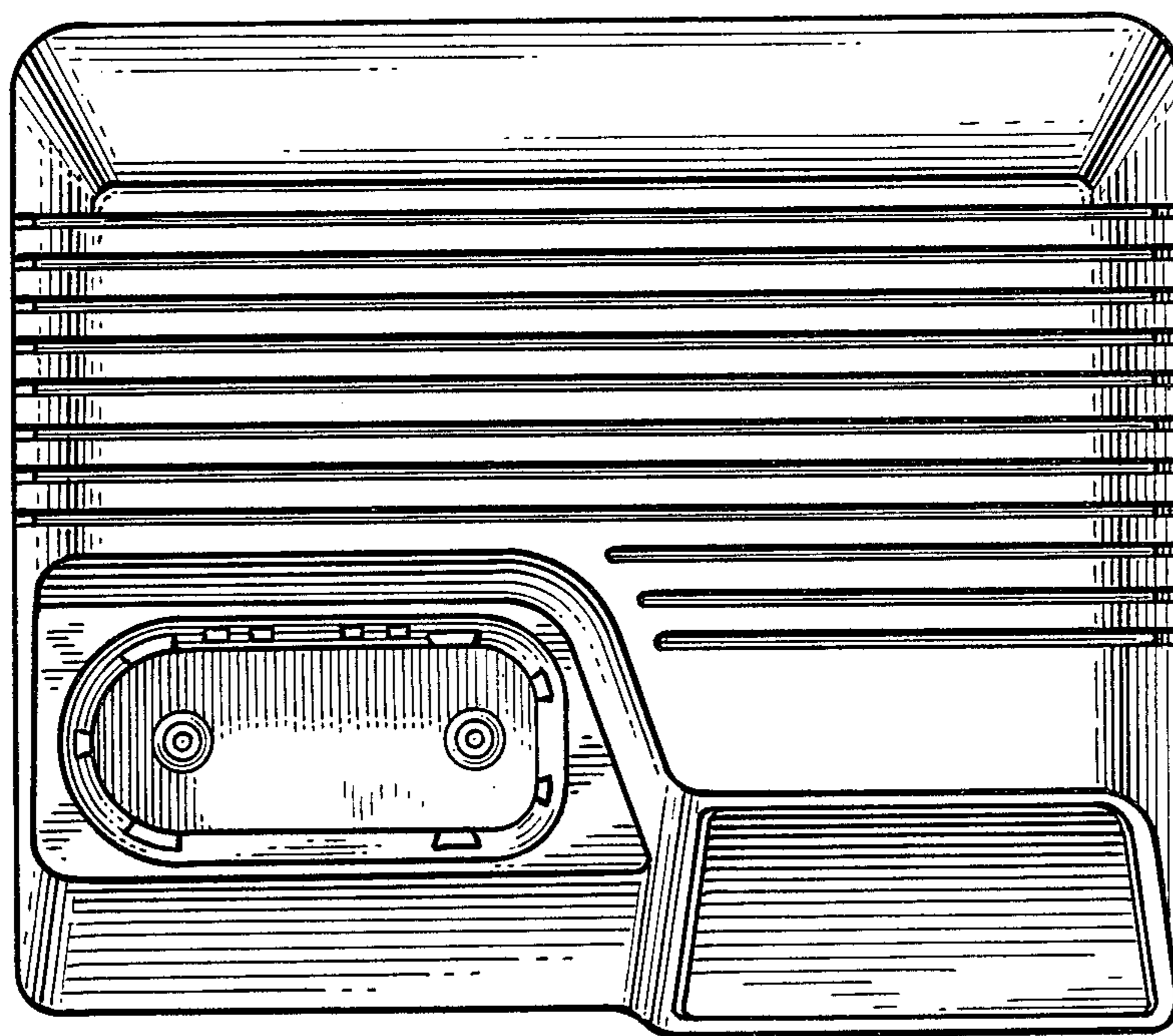


FIG. 3

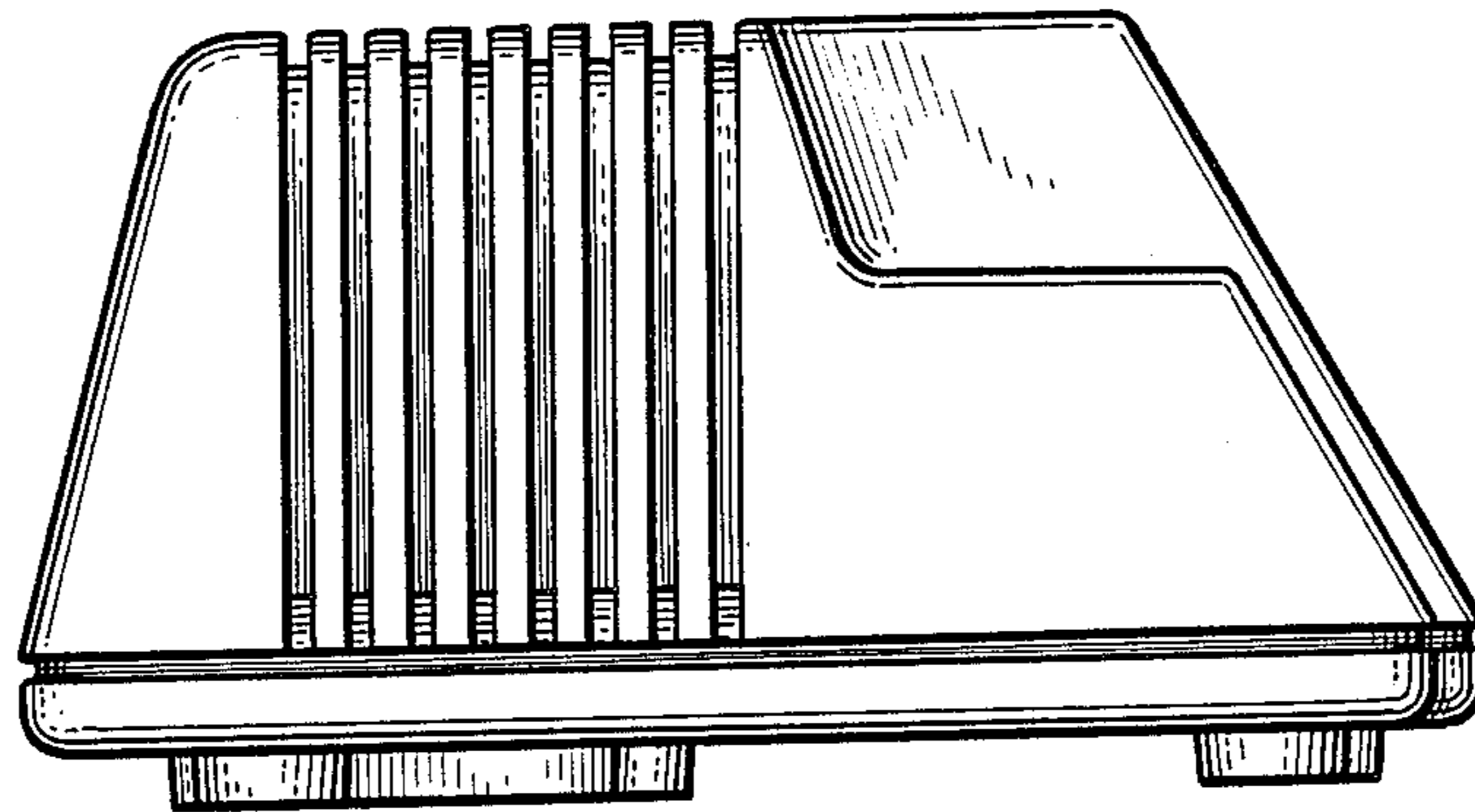


FIG. 4

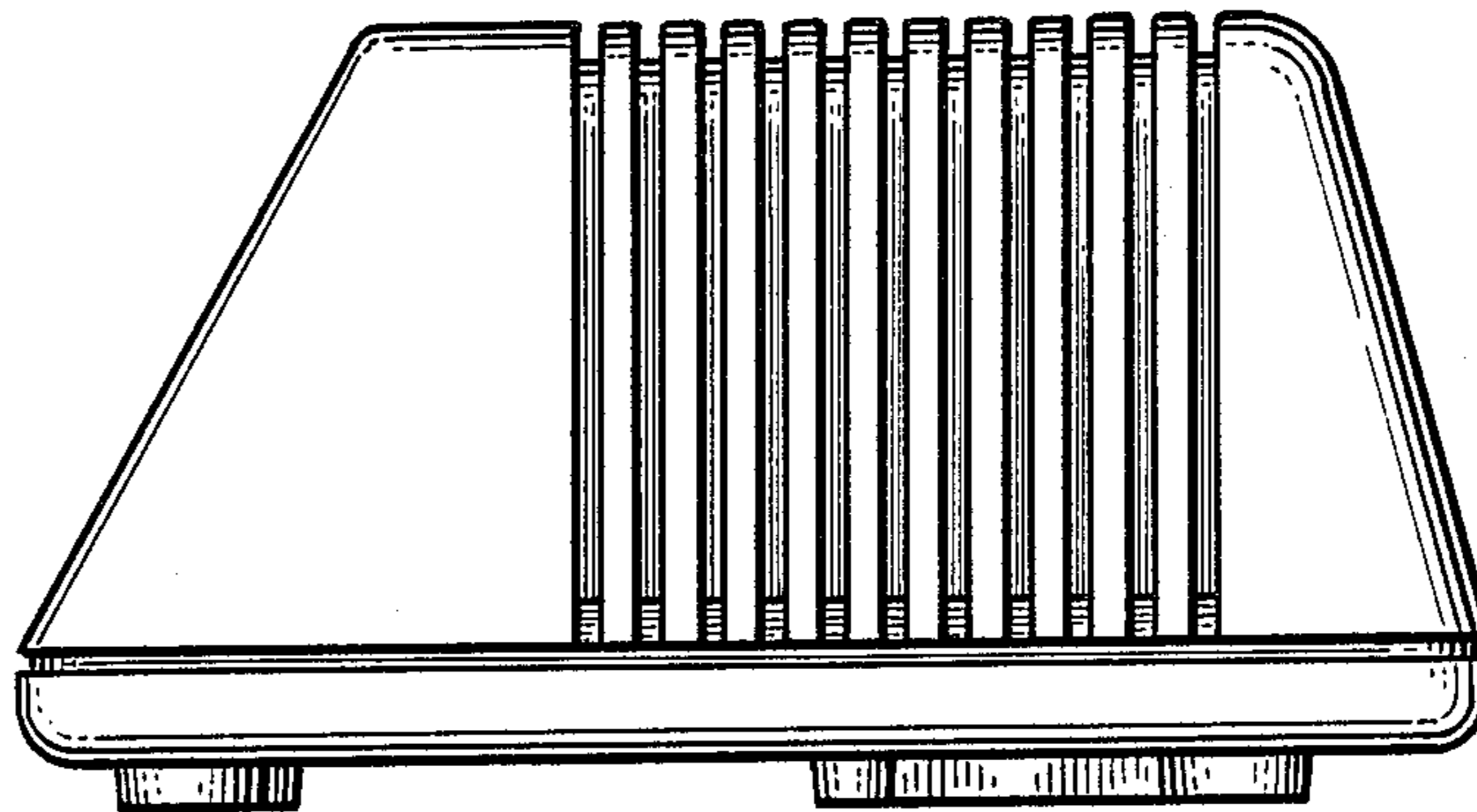


FIG. 5

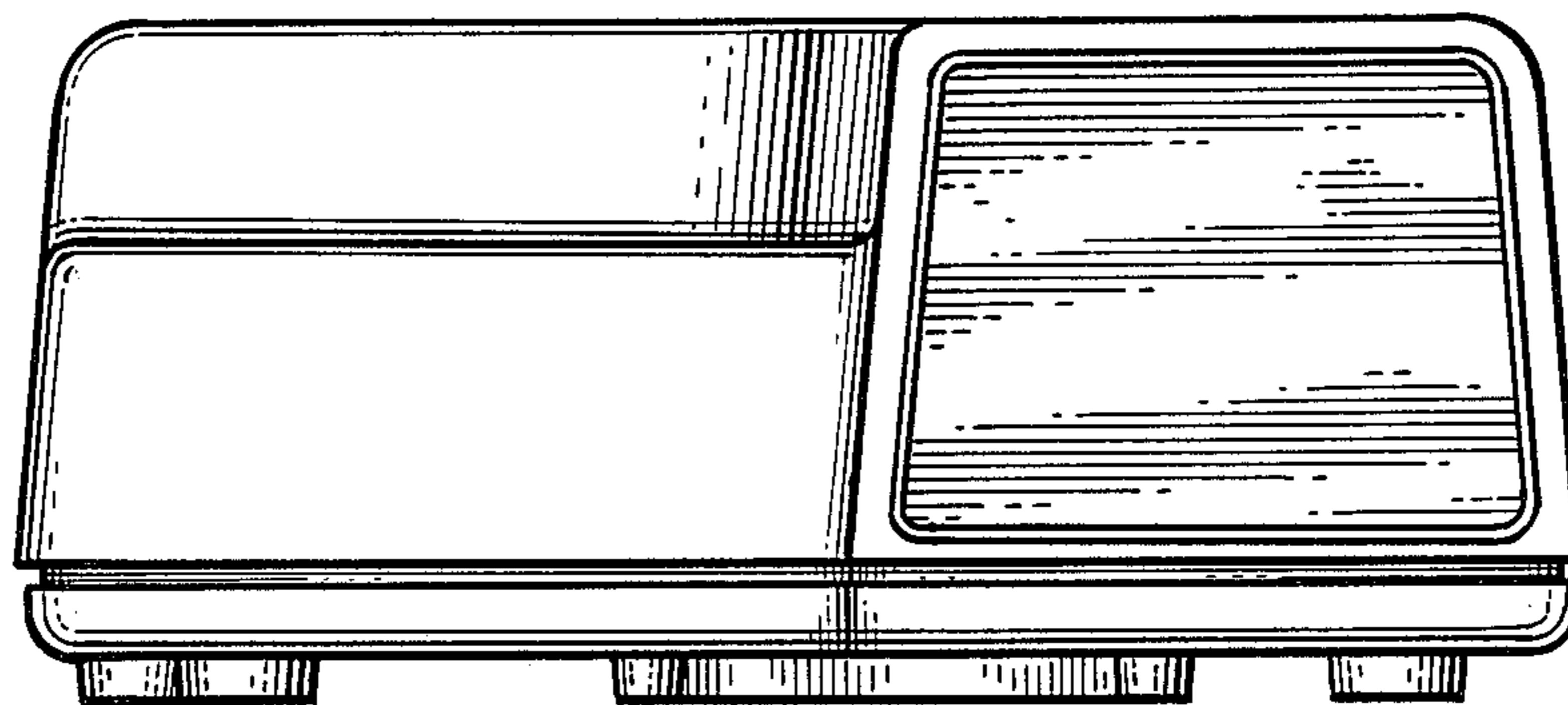


FIG. 6

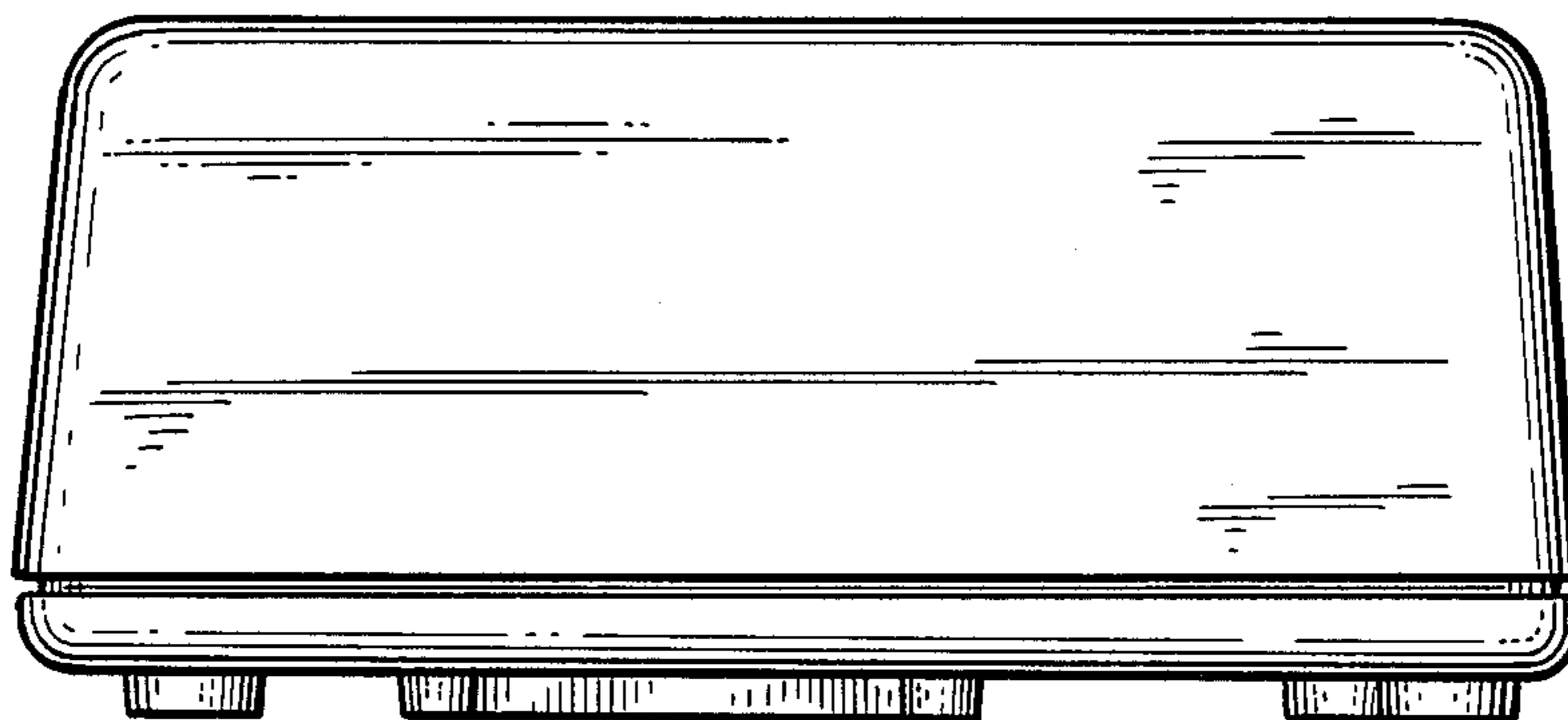


FIG. 7

