

United States Patent [19]

Sussich

[11] Patent Number: **Des. 298,116**

[45] Date of Patent: **** Oct. 18, 1988**

[54] **WINDSCREEN WIPER BLADE**

[76] Inventor: **Marino R. Sussich**, 316 Blackshaws Road, Altona North Victoria, 3025, Australia

[**] Term: **14 Years**

[21] Appl. No.: **808,017**

[22] Filed: **Dec. 11, 1985**

[30] **Foreign Application Priority Data**

Nov. 1, 1985 [AU] Australia 3117/85
[52] U.S. Cl. **D12/155; D32/41**
[58] Field of Search D32/41; D12/155;
15/250.4, 250.41, 250.42, 250.36

[56] **References Cited**

U.S. PATENT DOCUMENTS

2,664,583 1/1954 Oishei 15/250.42
3,056,991 10/1962 Smithers 15/250.41

3,224,027 12/1965 Oishei et al. 15/250.41
4,327,457 5/1982 Lunsford 15/250.41 X

FOREIGN PATENT DOCUMENTS

2458199 6/1975 Fed. Rep. of Germany .
2705700 8/1978 Fed. Rep. of Germany ... 15/250.41
1048932 11/1966 United Kingdom .
1316781 5/1973 United Kingdom .

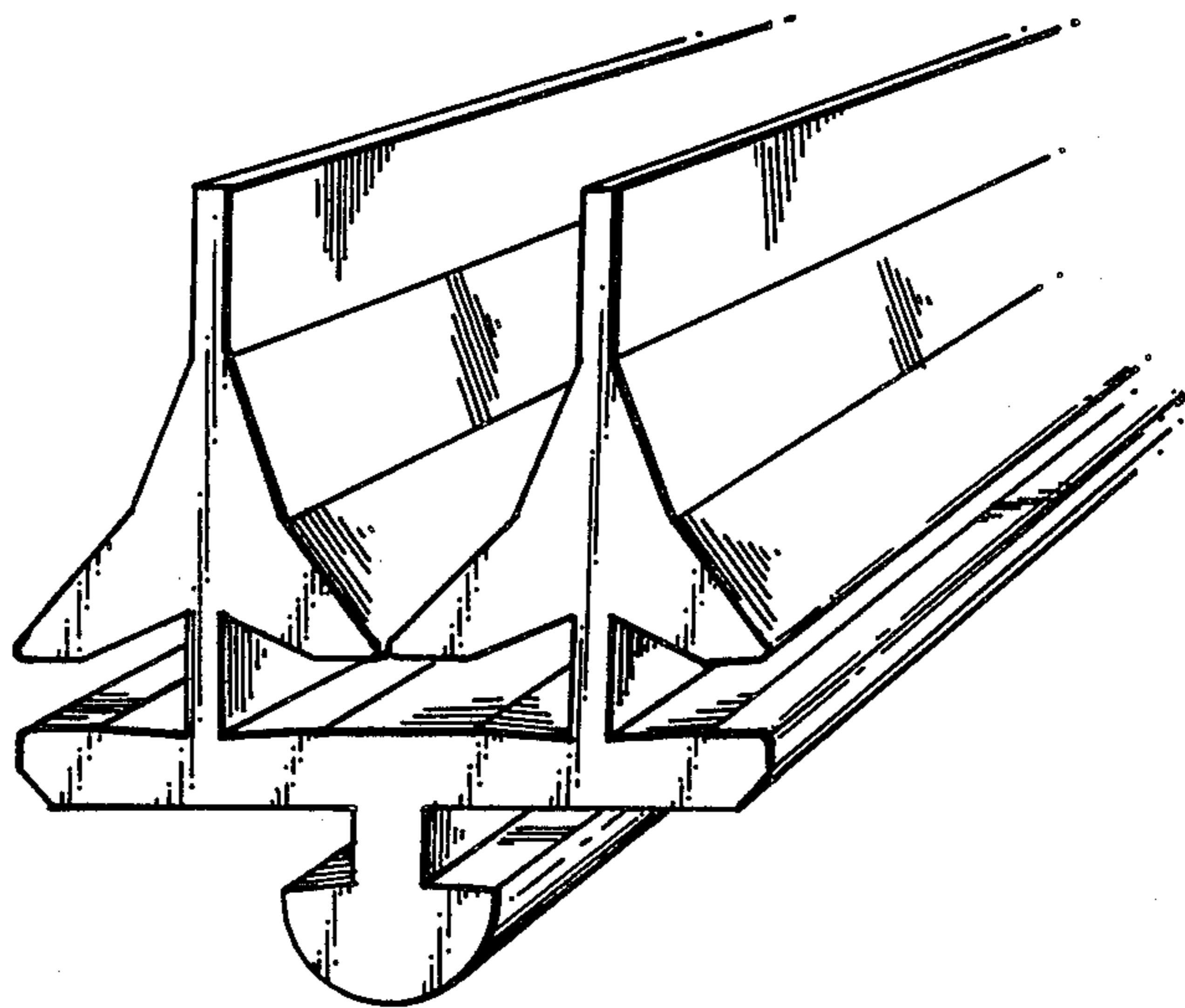
Primary Examiner—Catherine E. Kemper
Attorney, Agent, or Firm—Merchant, Gould, Smith,
Edell, Welter & Schmidt

[57] **CLAIM**

The ornamental design for a windscreen wiper blade, as shown and described.

DESCRIPTION

FIG. 1 is a perspective view of a windscreen wiper blade showing my new design; and FIG. 2 is a representative cross-sectional view thereof. The windscreen wiper blade is of constant cross-section and indefinite length.



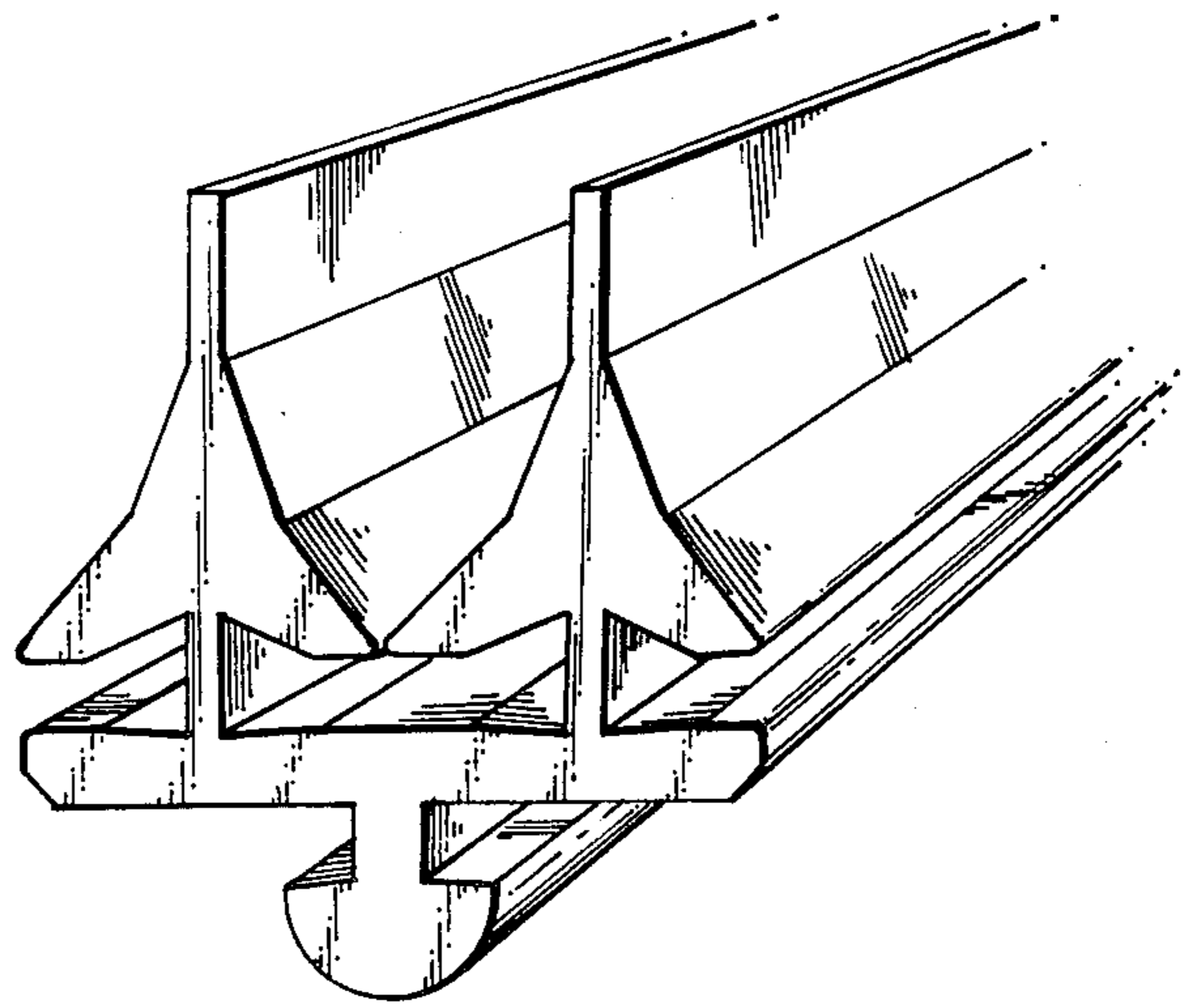


FIG. 1



FIG. 2