

[54] **AUTOMOBILE TIRE**

[75] **Inventor: Yutaka Kuroda, Hyogo, Japan**

[73] **Assignee: Sumitomo Rubber Industries, Ltd., Hyogo, Japan**

[*] **Notice: The portion of the term of this patent subsequent to Sep. 29, 2001 has been disclaimed.**

[**] **Term: 14 Years**

[21] **Appl. No.: 858,264**

[22] **Filed: Apr. 29, 1986**

[30] **Foreign Application Priority Data**

Jan. 28, 1986 [JP] Japan 61-2891

[52] **U.S. Cl. D12/146**

[58] **Field of Search D12/141-143, D12/145-151; 152/209 R, 209 B, 209 D**

[56] **References Cited**

U.S. PATENT DOCUMENTS

- D. 274,805 7/1984 Dalmas D12/146
- D. 287,351 12/1986 Cain D12/147
- D. 287,841 1/1987 Ono D12/147

- D. 288,548 3/1987 Kajima et al. D12/147
- D. 292,081 9/1987 Kuroda D12/146

OTHER PUBLICATIONS

1985 Tread Design Guide, p. 16, Concorde Thunderbolt Total Performances Dual Belted Radial Tire, second row up from bottom & second tire in from left. Tread Design Guide, a Bennett Garfield Publication, p. 42 (1982) Goodyear Viva Tire.

Primary Examiner—James M. Gandy
Attorney, Agent, or Firm—Birch, Stewart, Kolasch & Birch

[57] **CLAIM**

The ornamental design for an automobile tire, as shown and described.

DESCRIPTION

FIG. 1 is a perspective view of an automobile tire showing my new design it being understood that the tread pattern is repeated uniformly throughout the circumference of the tire and the opposite side is the same as that shown;
FIG. 2 is a front elevational view thereof; and
FIG. 3 is a side elevational view thereof.

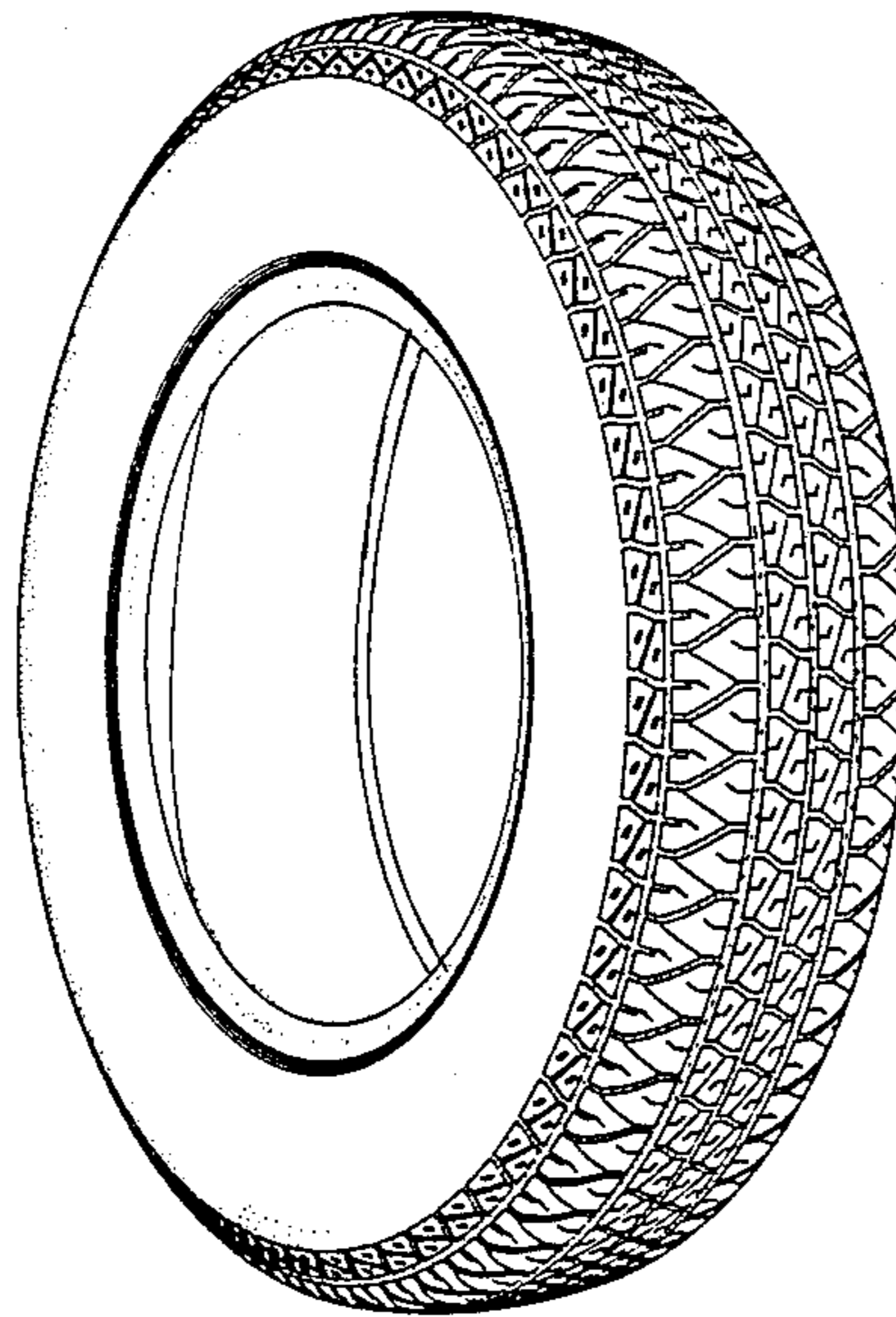


FIG. 1

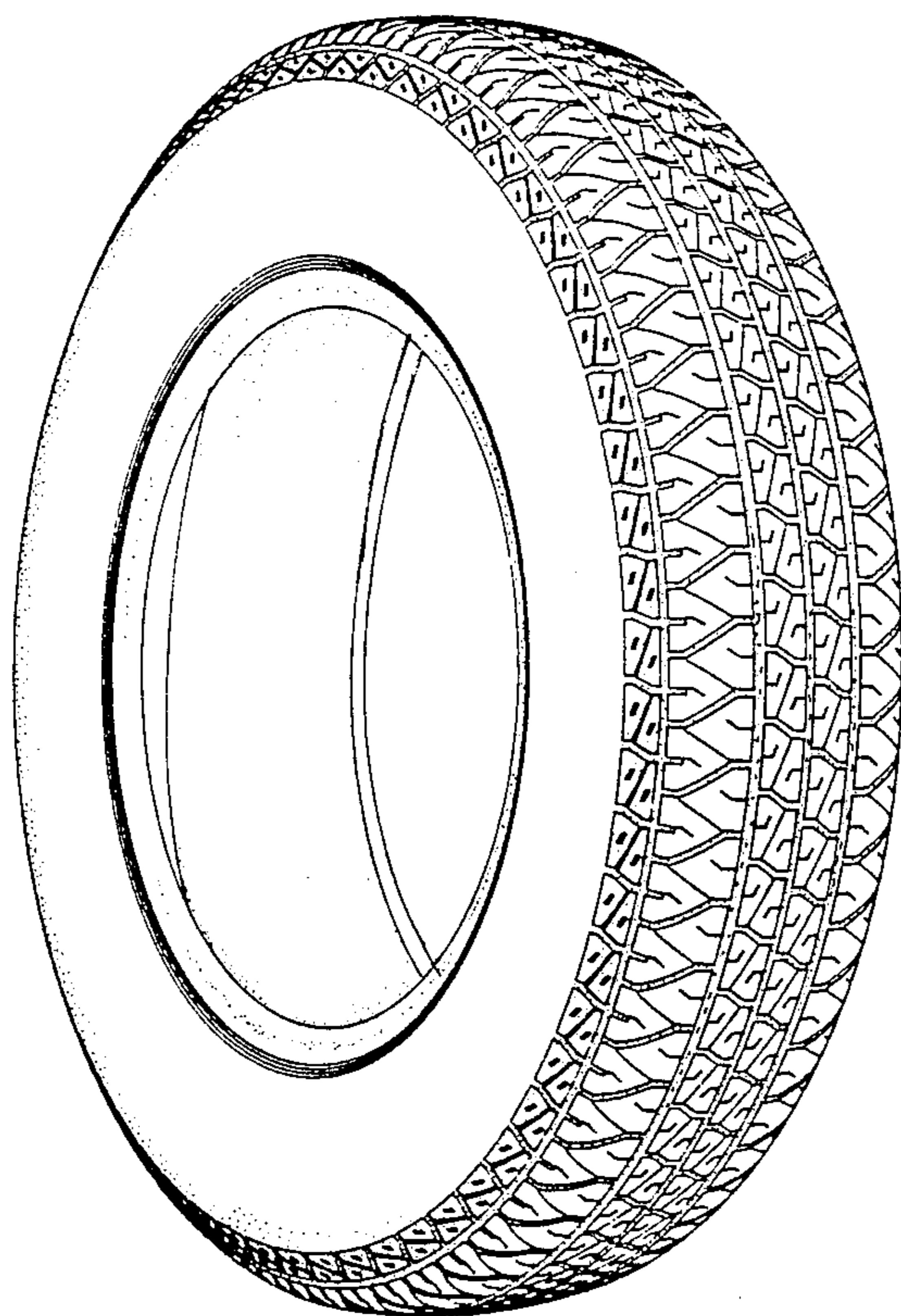


FIG. 2

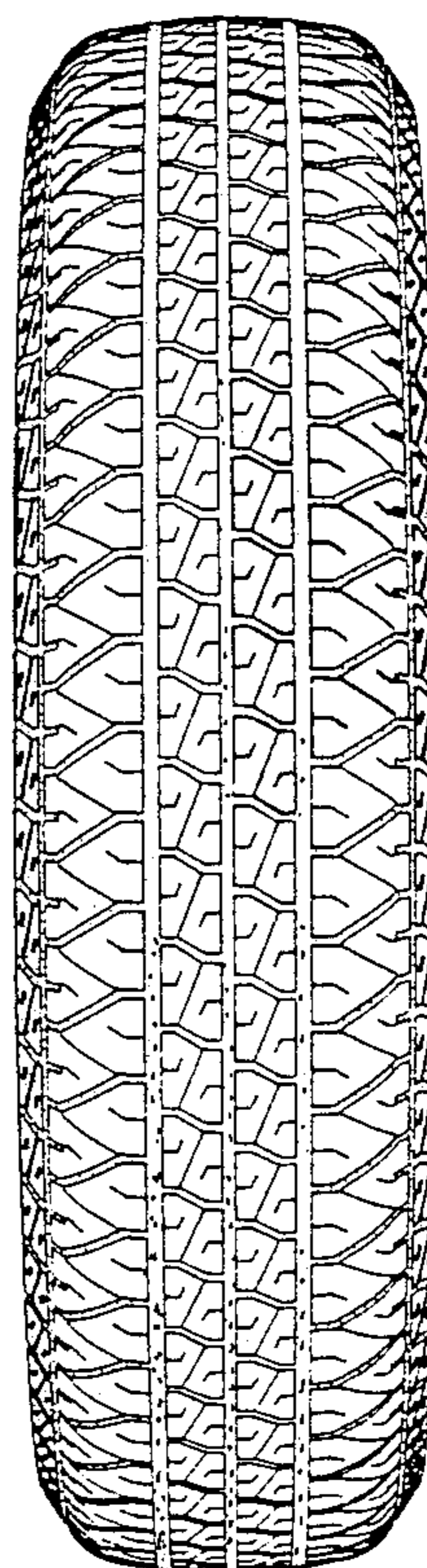


FIG. 3

