

[54] SLED

[76] Inventors: Nikita B. Kaptelin, Gor'kogo, 6-271, 103009, Moskva; Aleksandr A. Popov, Enisejskaya 32-2-211, 129281, Moskva; Viktor M. Astaf'ev, 1 Mosfil'movskij, 4-1-60, 119285, Moskva; Aleksej A. Astakhov, 141400, Moskovskaya obl., ul. 9 Maja, 9-3, g. Khimki; Vladimir G. Mel'nikov, 141400, Moskovskaya obl., ul. Michurina, 15-59, g. Khimki; Viktor B. Bogdanov, 141400, Moskovskaya obl., Rodionova, 13/18-44, g. Khimki, all of U.S.S.R.

[\*\*] Term: 14 Years

[21] Appl. No.: 937,465

[22] Filed: Dec. 2, 1986

Related U.S. Application Data

[63] Continuation of Ser. No. 635,360, Jul. 27, 1984, abandoned.

[52] U.S. Cl. .... D12/9

[58] Field of Search ..... D12/10, 6, 7, 9, 11; 280/16, 18, 20, 21 R, 21 A, 22

[56] References Cited

U.S. PATENT DOCUMENTS

D. 252,079	6/1979	Derkach et al. ....	D12/9
3,297,335	1/1967	Ogata .....	280/16
3,900,208	8/1975	Hjelmquist .....	280/16
4,063,746	12/1977	Hansen .....	D12/10

FOREIGN PATENT DOCUMENTS

51359	5/1983	Canada .	
562722	6/1975	Switzerland .....	280/21 R

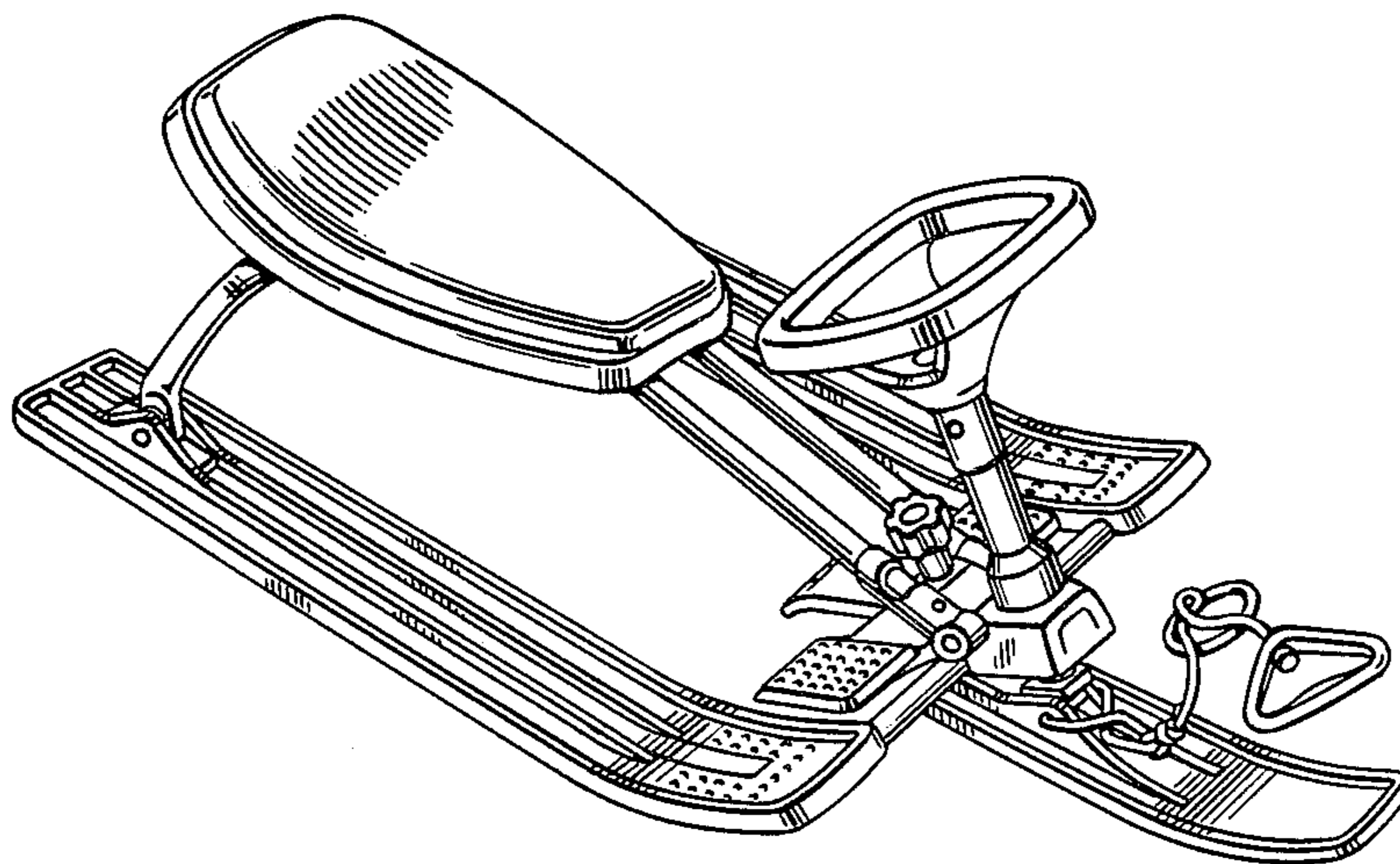
Primary Examiner—Wallace R. Burke  
Assistant Examiner—Kay H. Chin  
Attorney, Agent, or Firm—Fleit, Jacobson, Cohn & Price

[57] CLAIM

The ornamental design for a sled, as shown.

DESCRIPTION

FIG. 1 is a right side perspective view of a sled showing our new design;  
FIG. 2 is a front elevation view thereof;  
FIG. 3 is a rear elevation view thereof;  
FIG. 4 is a top plan view thereof;  
FIG. 5 is a bottom plan view thereof; and  
FIG. 6 is a left side elevation view thereof.  
The pull rope and handle shown in FIG. 1 are omitted in FIGS. 2 through 6 for convenience of illustration.



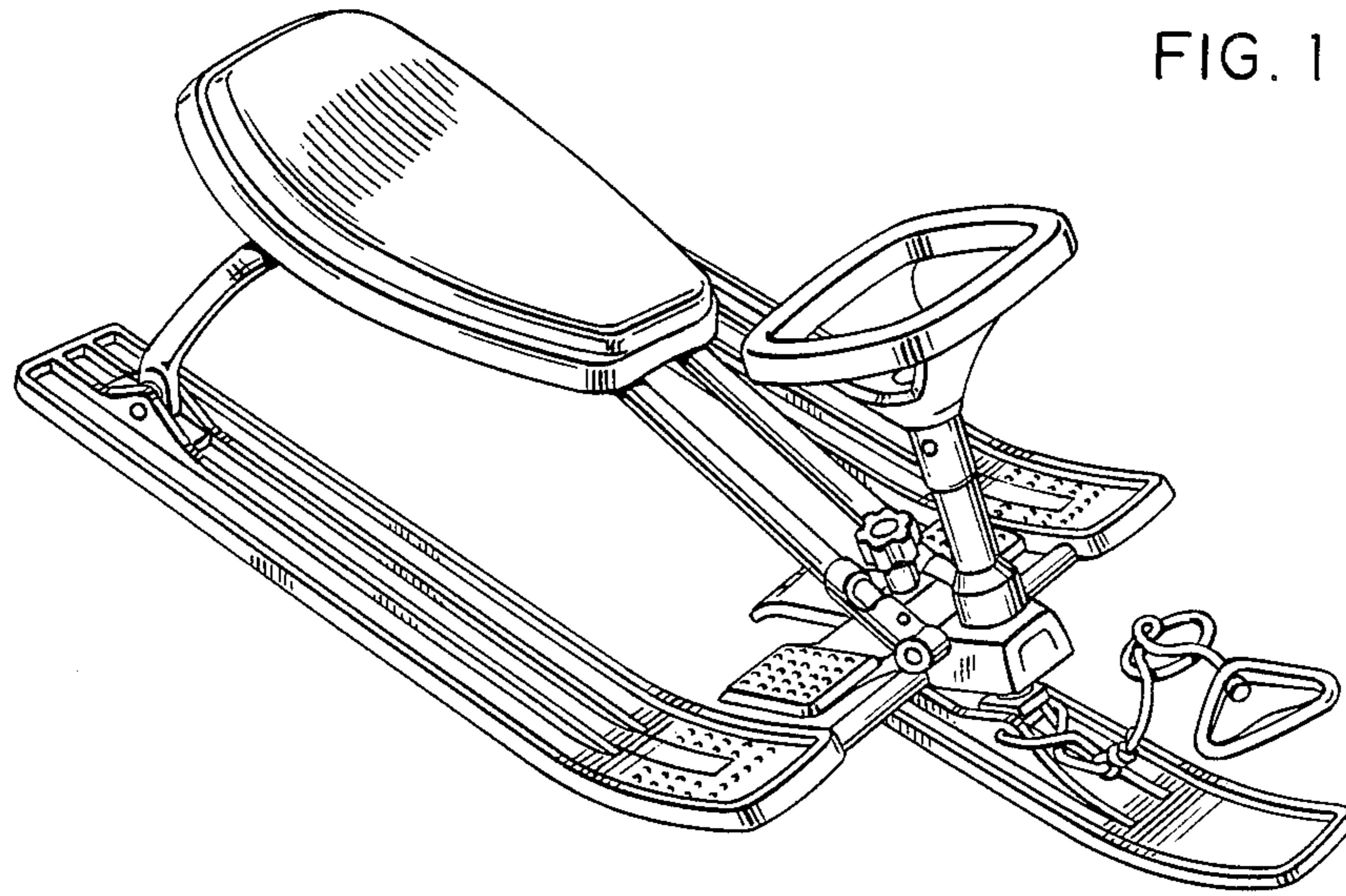


FIG. 1

FIG. 2

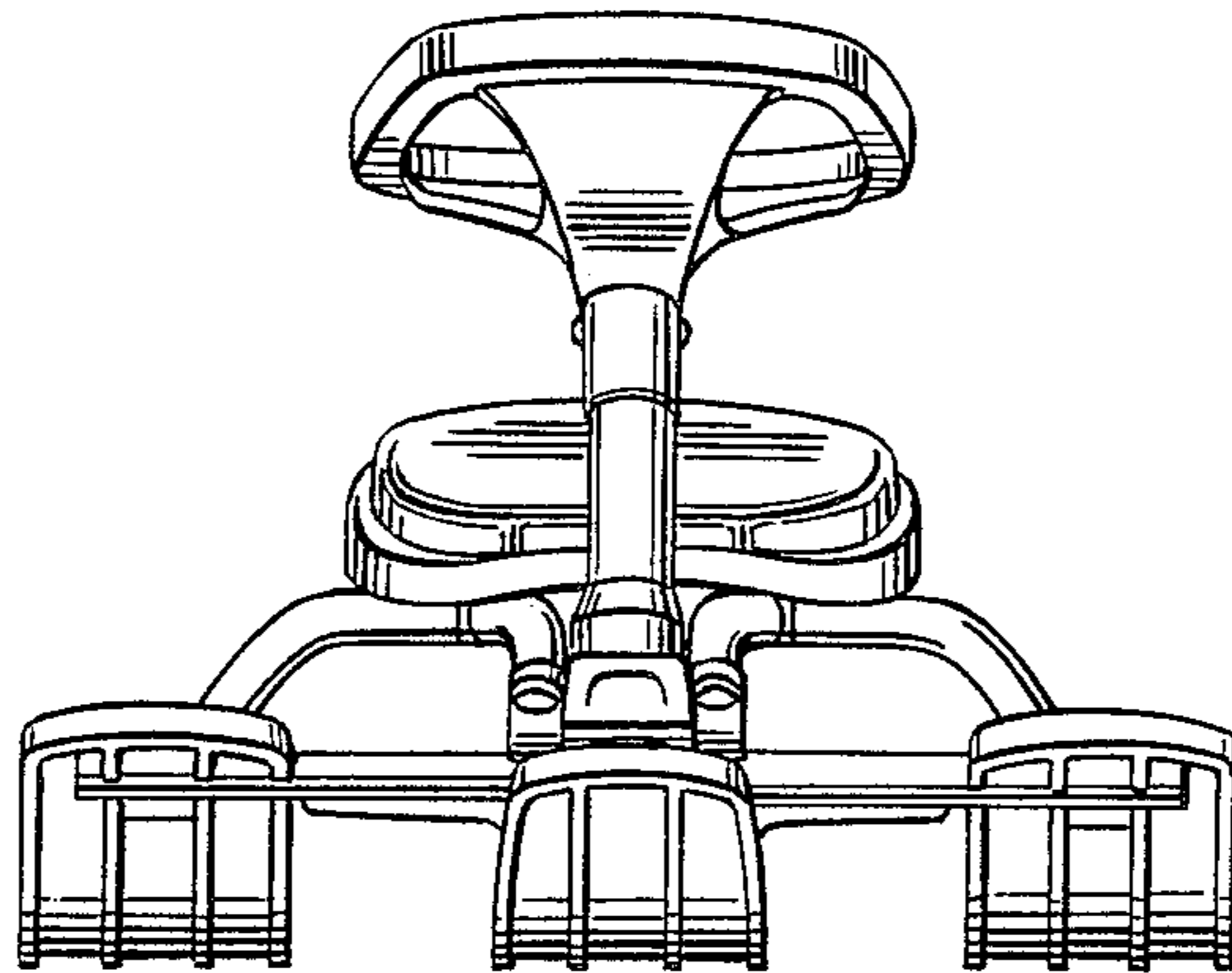


FIG. 3

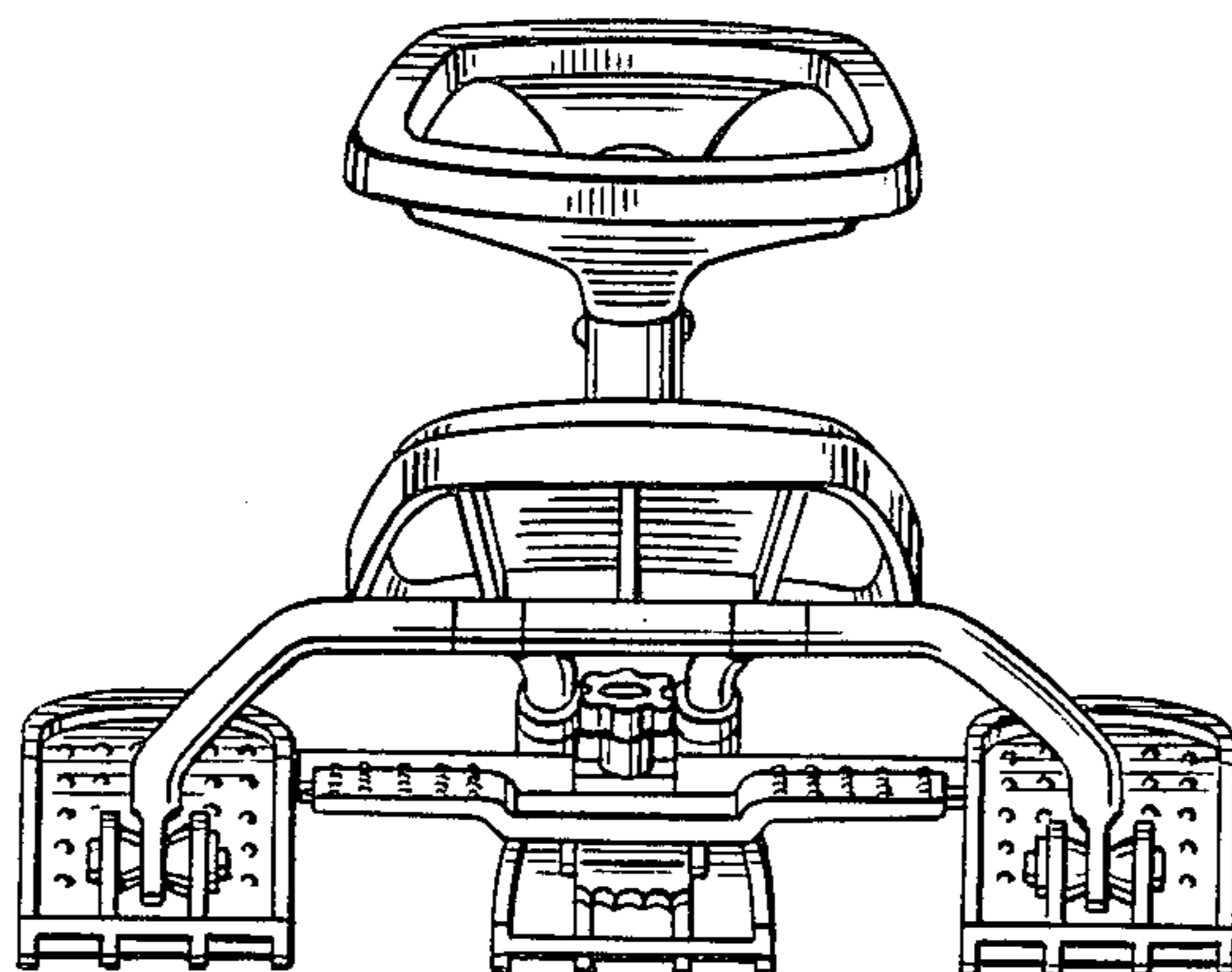


FIG. 4

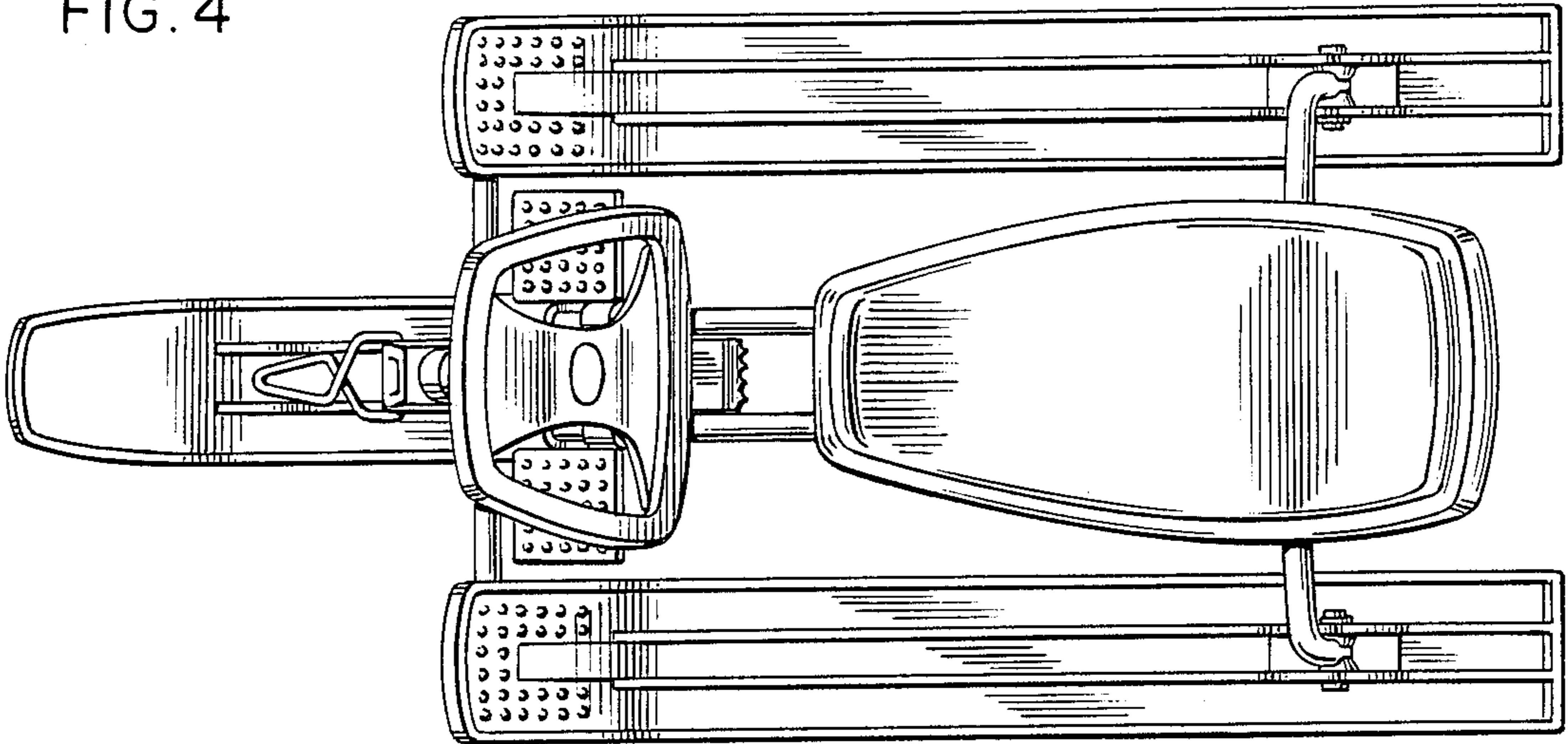


FIG. 5

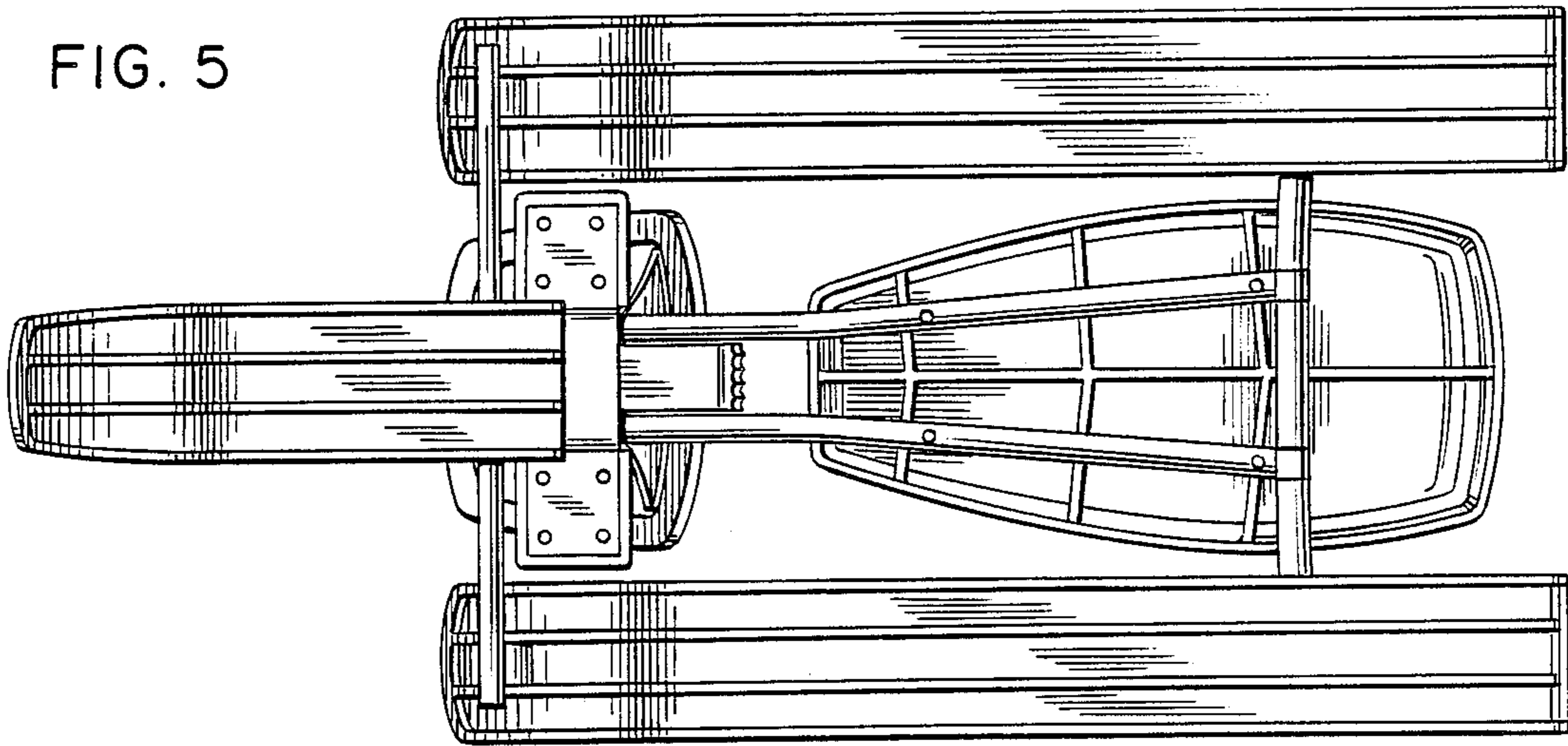
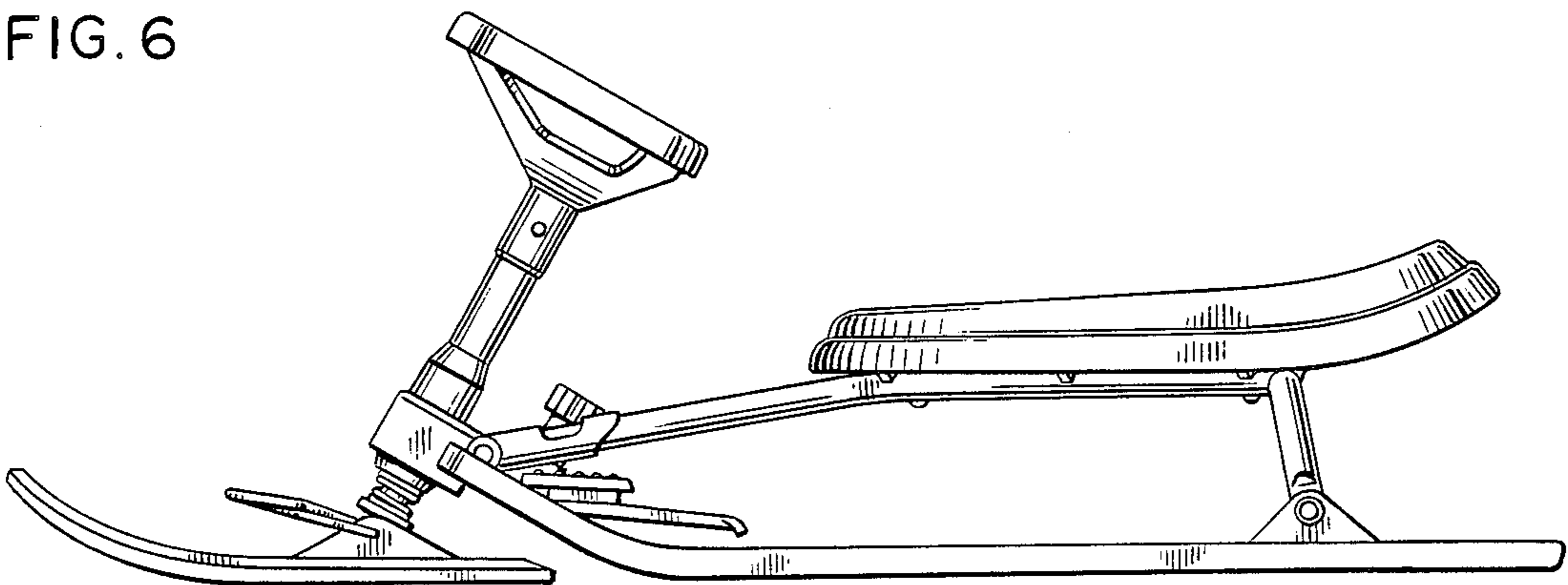


FIG. 6



UNITED STATES PATENT AND TRADEMARK OFFICE  
**CERTIFICATE OF CORRECTION**

PATENT NO. : Des. 298,111  
DATED : Oct. 18, 1988  
INVENTOR(S) : Nikita B. KAPTELIN et al

It is certified that error appears in the above-identified patent and that said Letters Patent is hereby corrected as shown below:

Title Page, Item [76],

At the end of the list of inventors, add:

-- Aleksej Nikolaevich Trushkin, 129282 Tikhomirova,  
ul.9-2-81, Moskva, U.S.S.R. --

**Signed and Sealed this**  
**Twenty-first Day of February, 1989**

*Attest:*

*Attesting Officer*

DONALD J. QUIGG

*Commissioner of Patents and Trademarks*