

# United States Patent [19]

Kawano

[11] Patent Number: **Des. 298,110**

[45] Date of Patent: **\*\* Oct. 18, 1988**

[54] **HALOGEN GAS LEAK DETECTOR**

[75] Inventor: **Kazuhiro Kawano, Musashino, Japan**

[73] Assignee: **Yokogawa Electric Corporation,  
Tokyo, Japan**

[\*\*] Term: **14 Years**

[21] Appl. No.: **819,193**

[22] Filed: **Jan. 15, 1986**

[52] U.S. Cl. .... **D10/46; D10/81**

[58] Field of Search ..... **D10/46, 81, 102, 103;  
73/19, 23, 431; 340/633, 634**

[56] **References Cited**

### U.S. PATENT DOCUMENTS

D. 206,458 12/1966 Canterbury ..... D10/81

D. 242,531 11/1976 Guimond ..... D10/46  
D. 242,602 12/1976 Melvin ..... D10/46  
D. 282,531 2/1986 Schmidt ..... D10/81 X

*Primary Examiner*—Nelson C. Holtje  
*Attorney, Agent, or Firm*—Moonray Kojima

[57] **CLAIM**

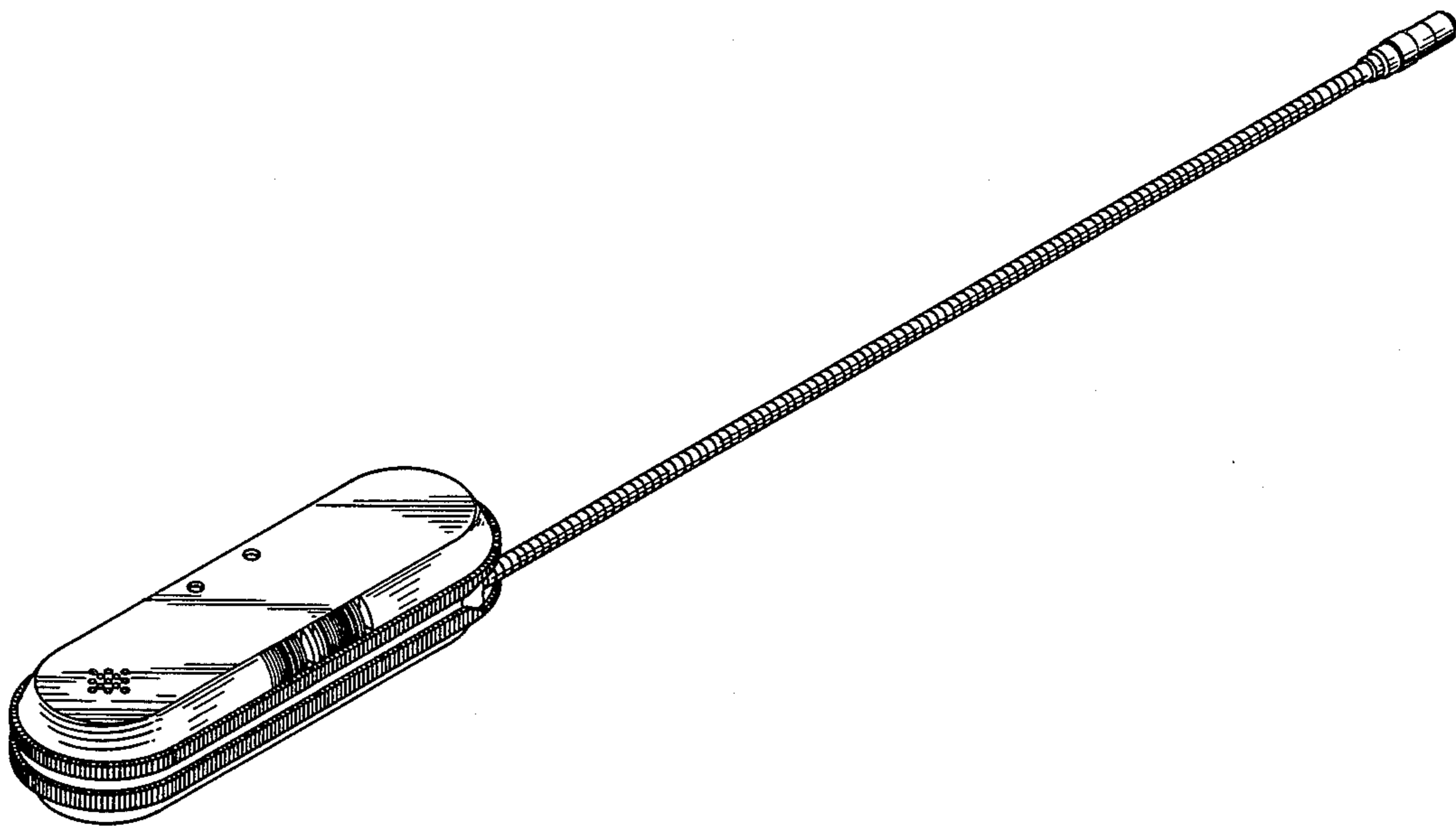
The ornamental design for a halogen gas leak detector, as shown and described.

### DESCRIPTION

FIG. 1 is a top and left front perspective view of a halogen gas leak detector showing my new design;

FIG. 2 is a bottom and right rear perspective view thereof;

FIG. 3 is a top and left front perspective view thereof with the flexible probe tube in an extended position.



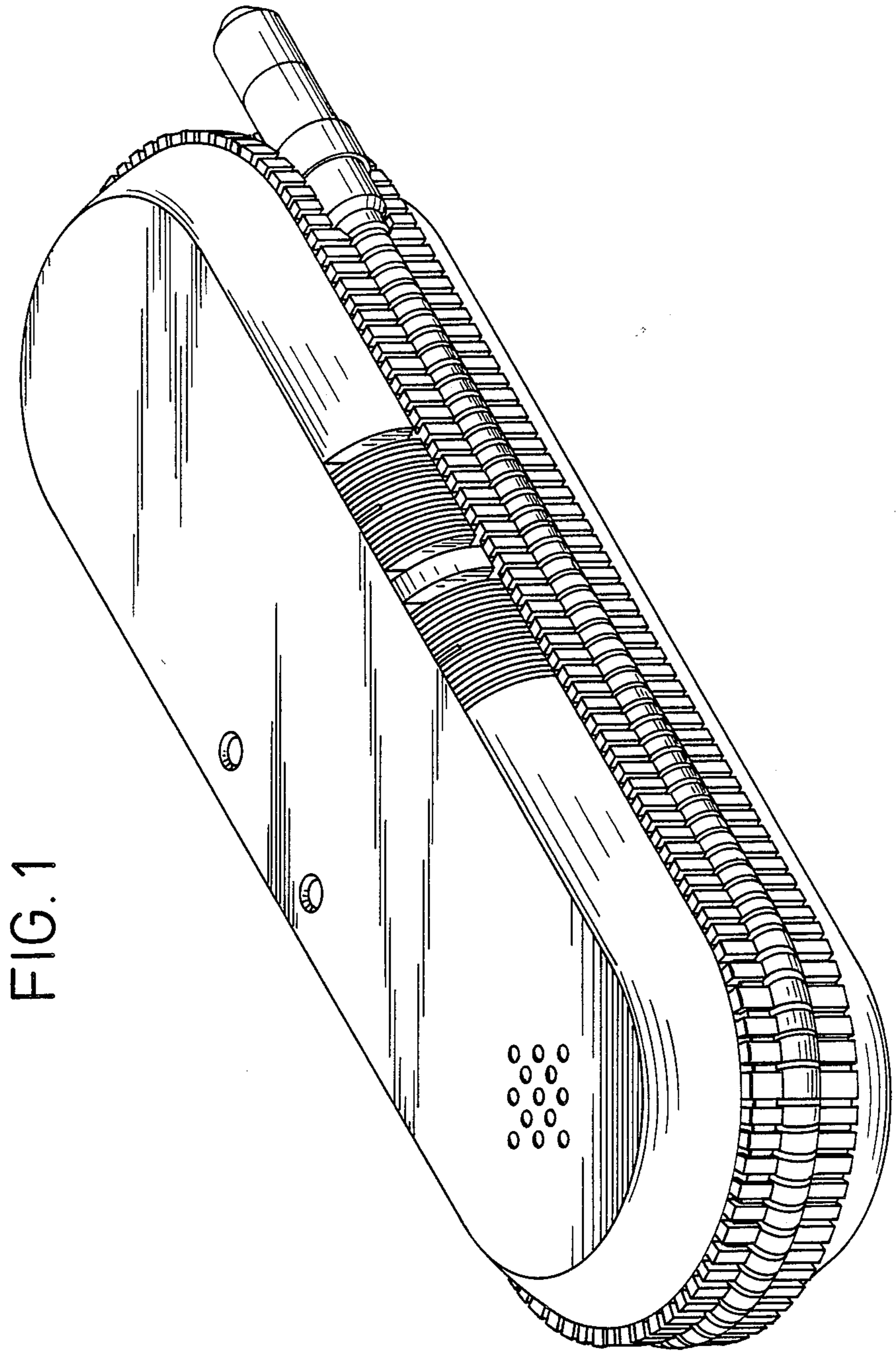
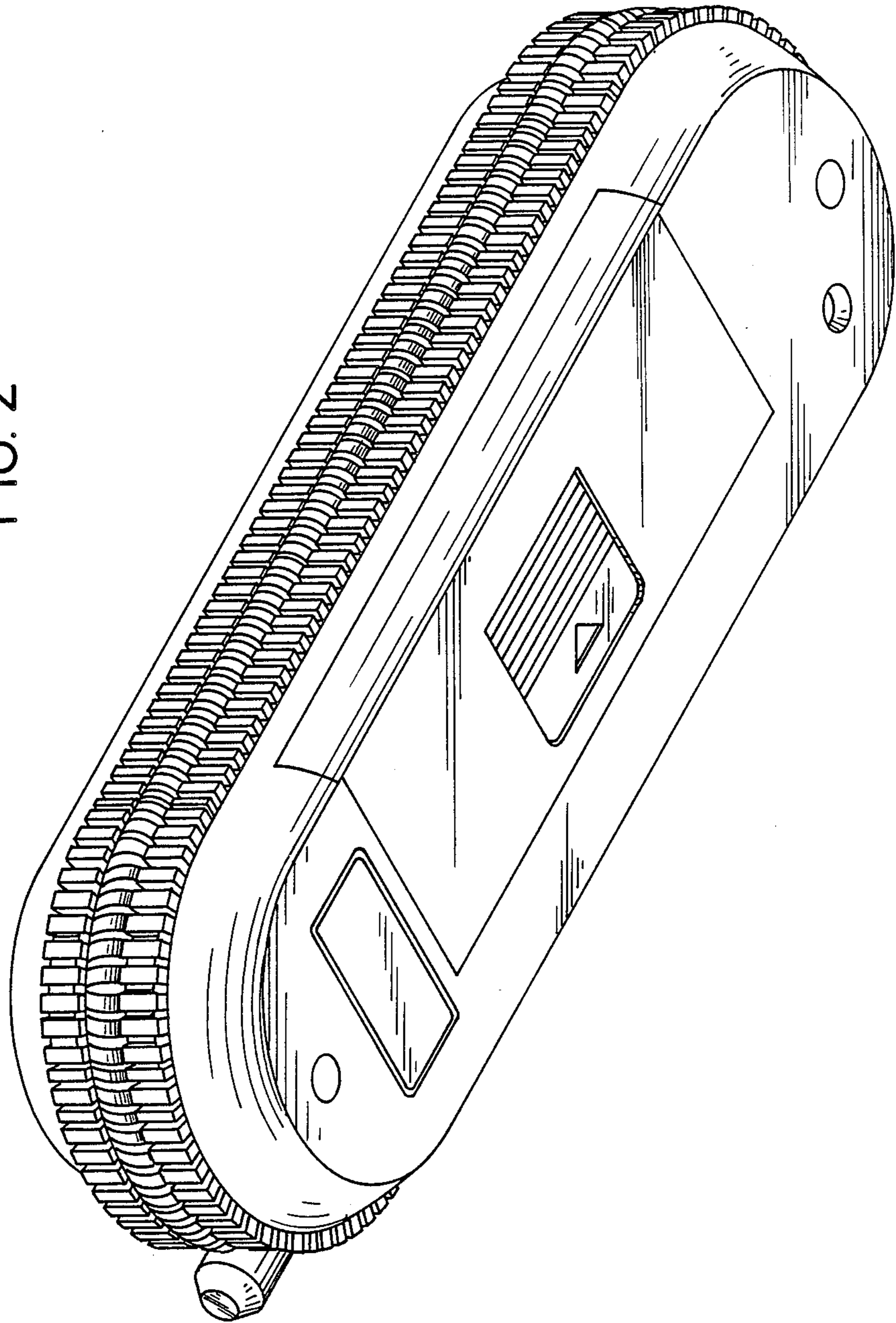


FIG. 1

FIG. 2



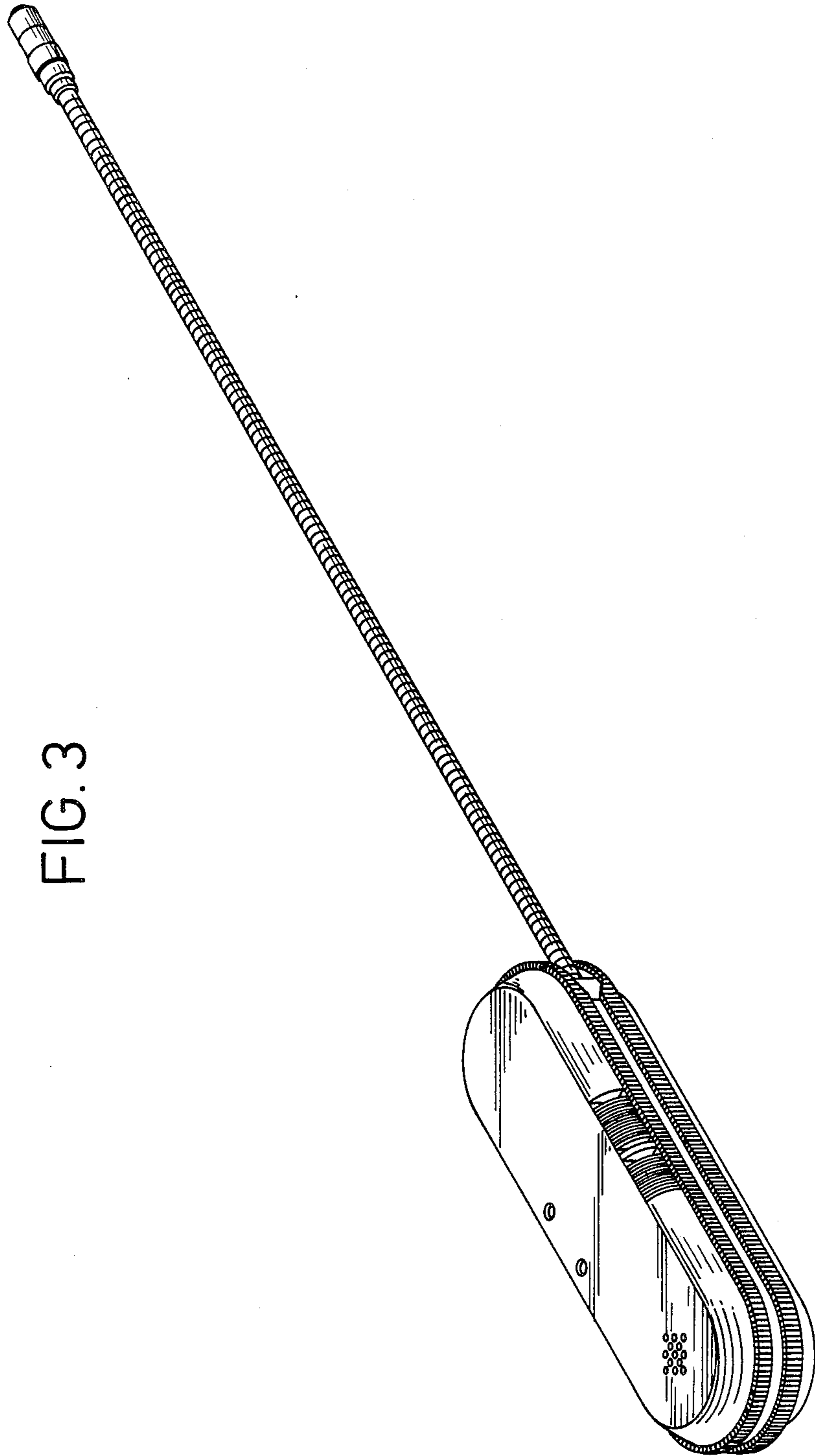


FIG. 3