

[54] **TEE CONNECTOR**  
[75] **Inventor: Eldred R. Harmon, Pell City, Ala.**  
[73] **Assignee: Square D Company, Palatine, Ill.**  
[\*\*] **Term: 14 Years**  
[21] **Appl. No.: 725,176**  
[22] **Filed: Apr. 19, 1985**  
[52] **U.S. Cl. .... D8/382**  
[58] **Field of Search ..... D8/382, 396; 403/205, 403/286, 170, 293, 295, 298; D23/262**

4,635,579 1/1987 Marker et al. .... 403/295

**FOREIGN PATENT DOCUMENTS**

1522724 8/1978 United Kingdom .... 403/295

*Primary Examiner*—B. J. Bullock  
*Attorney, Agent, or Firm*—Thomas B. Lindgren;  
Stephen A. Litchfield; Richard T. Guttman

[57] **CLAIM**

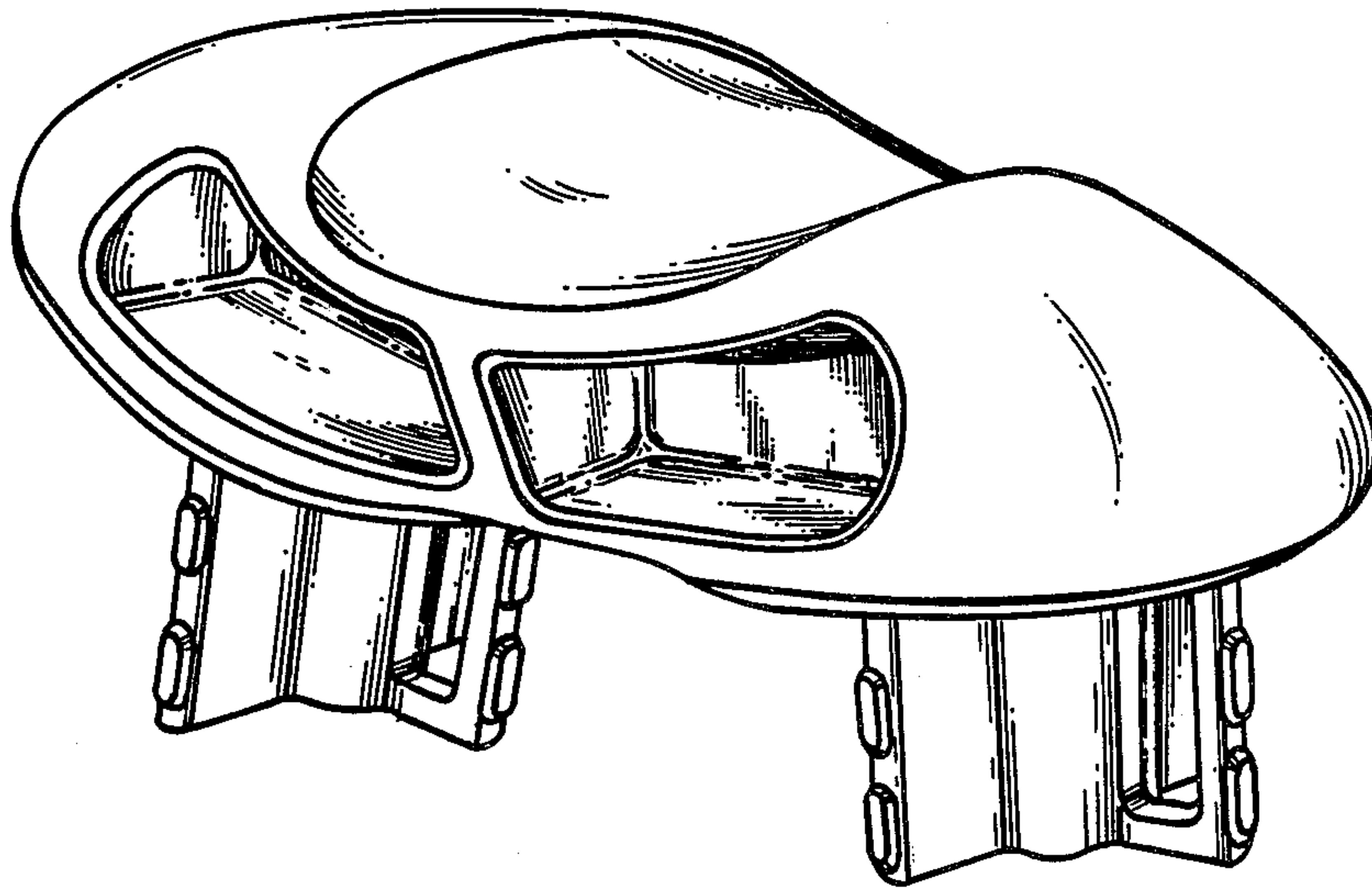
The ornamental design for a tee connector, substantially as shown and described.

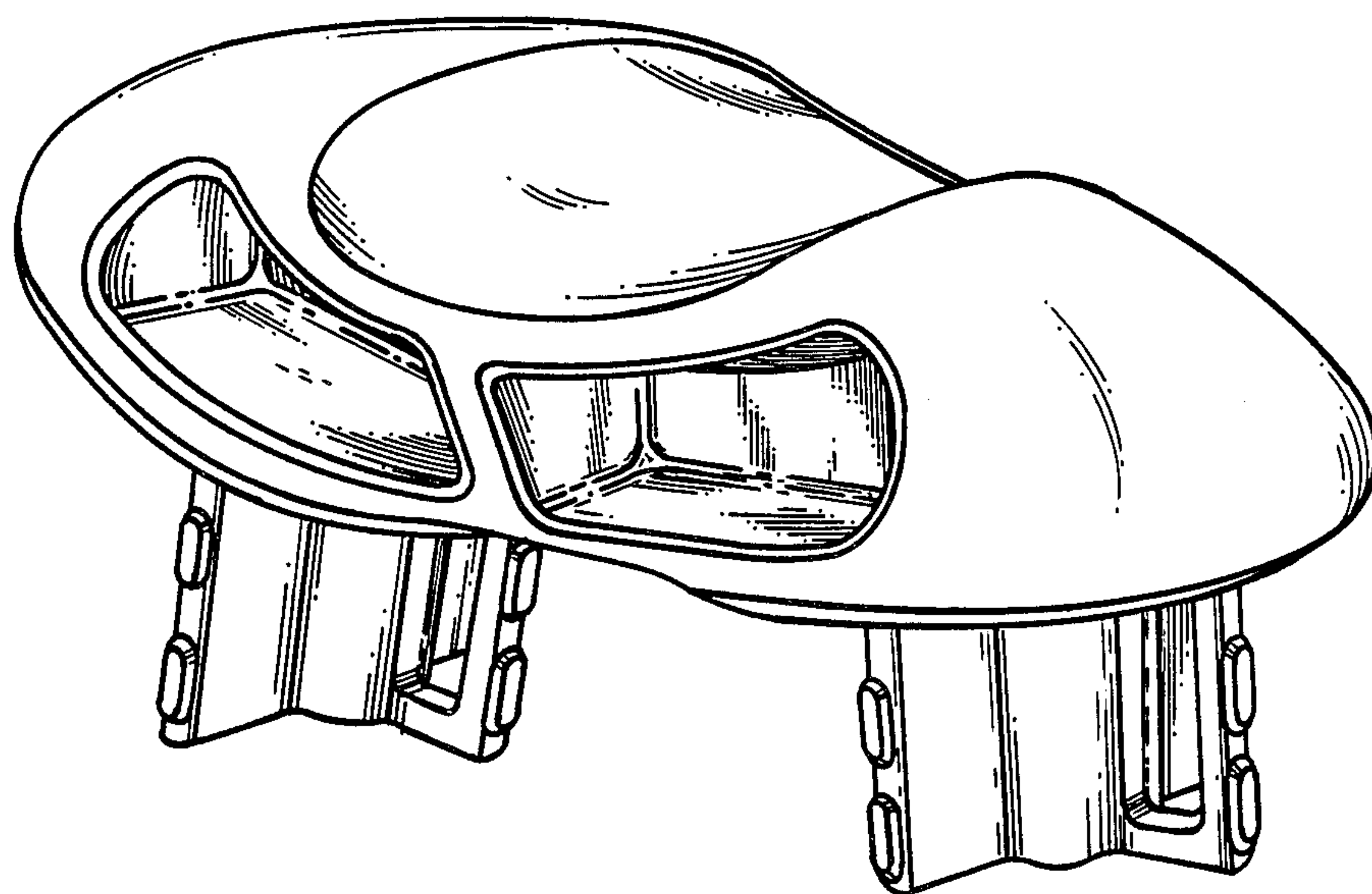
**DESCRIPTION**

FIG. 1 is a top perspective view of the tee connector showing my new design;  
FIG. 2 is a front elevational view thereof, the rear being identical;  
FIG. 3 is a bottom plan view thereof;  
FIG. 4 is a side elevational view thereof, both sides being identical;  
FIG. 5 is a top plan view thereof.

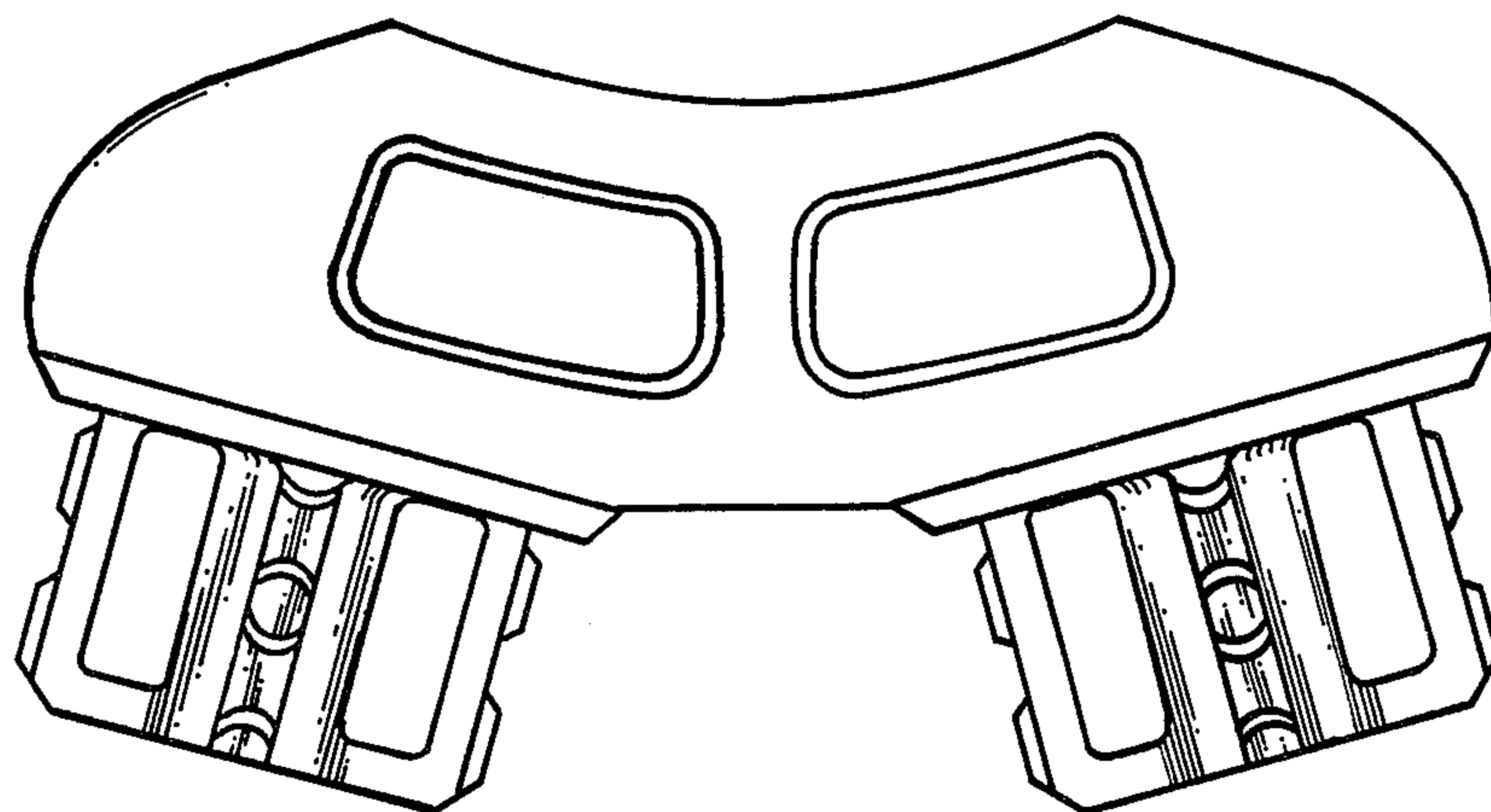
[56] **References Cited**  
**U.S. PATENT DOCUMENTS**

D. 176,376	12/1955	Parker .....	D8/396
D. 186,405	10/1959	Hollaender .....	D8/382
4,049,355	9/1977	Kawazu .....	403/295
4,242,969	1/1981	Checkwood et al. ....	403/170
4,270,872	6/1981	Kiyosawa .....	403/170
4,369,000	1/1983	Egnew .....	403/170

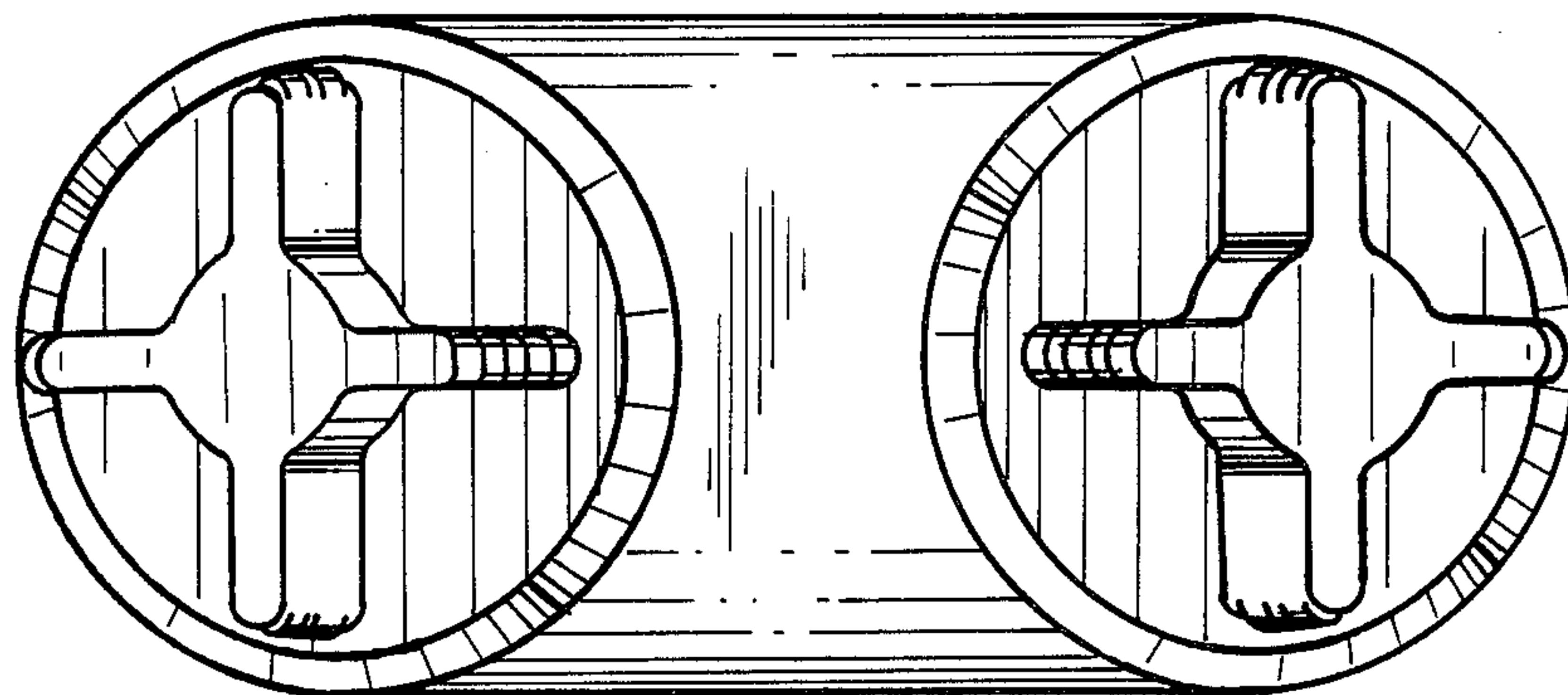




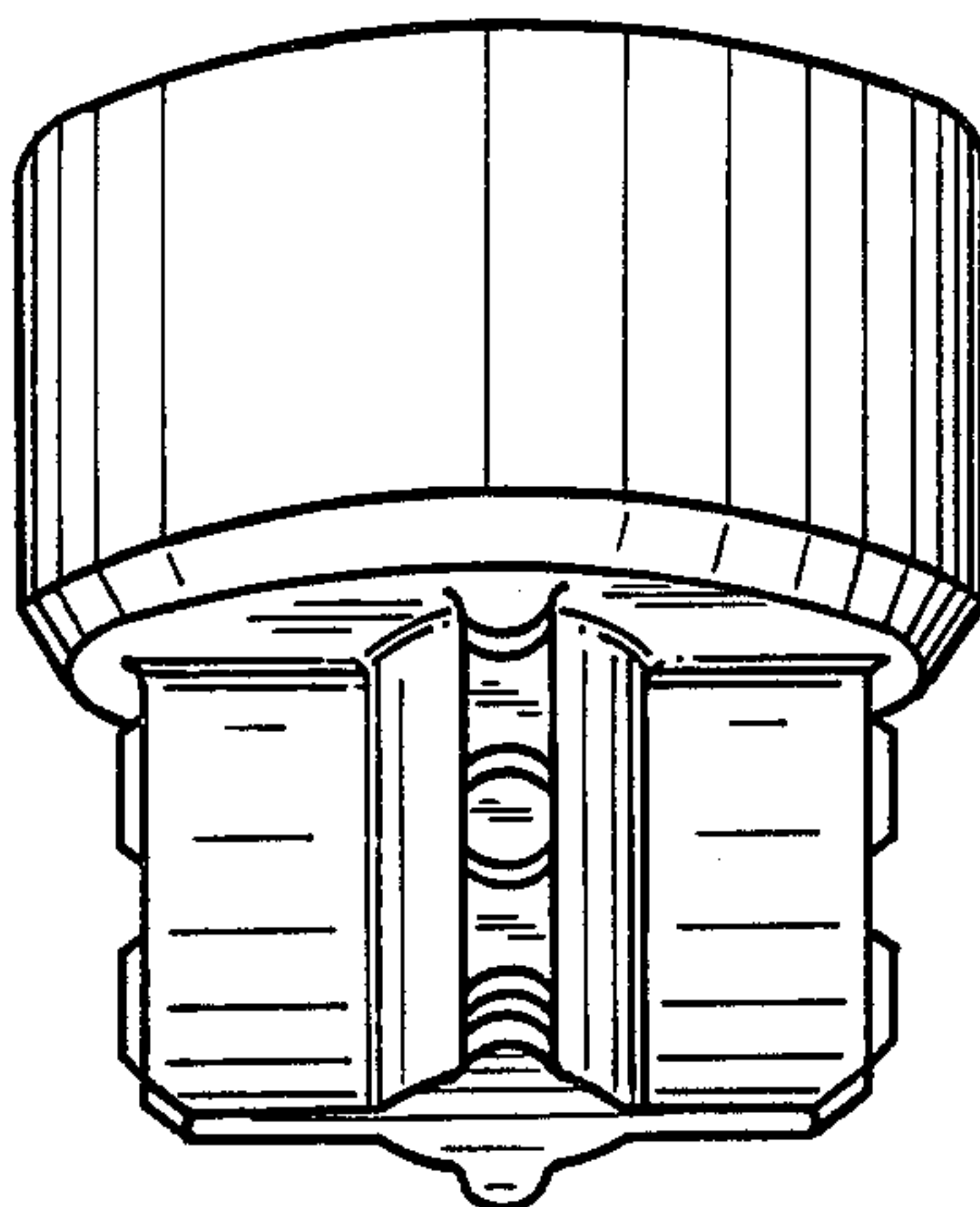
*Fig. 1*



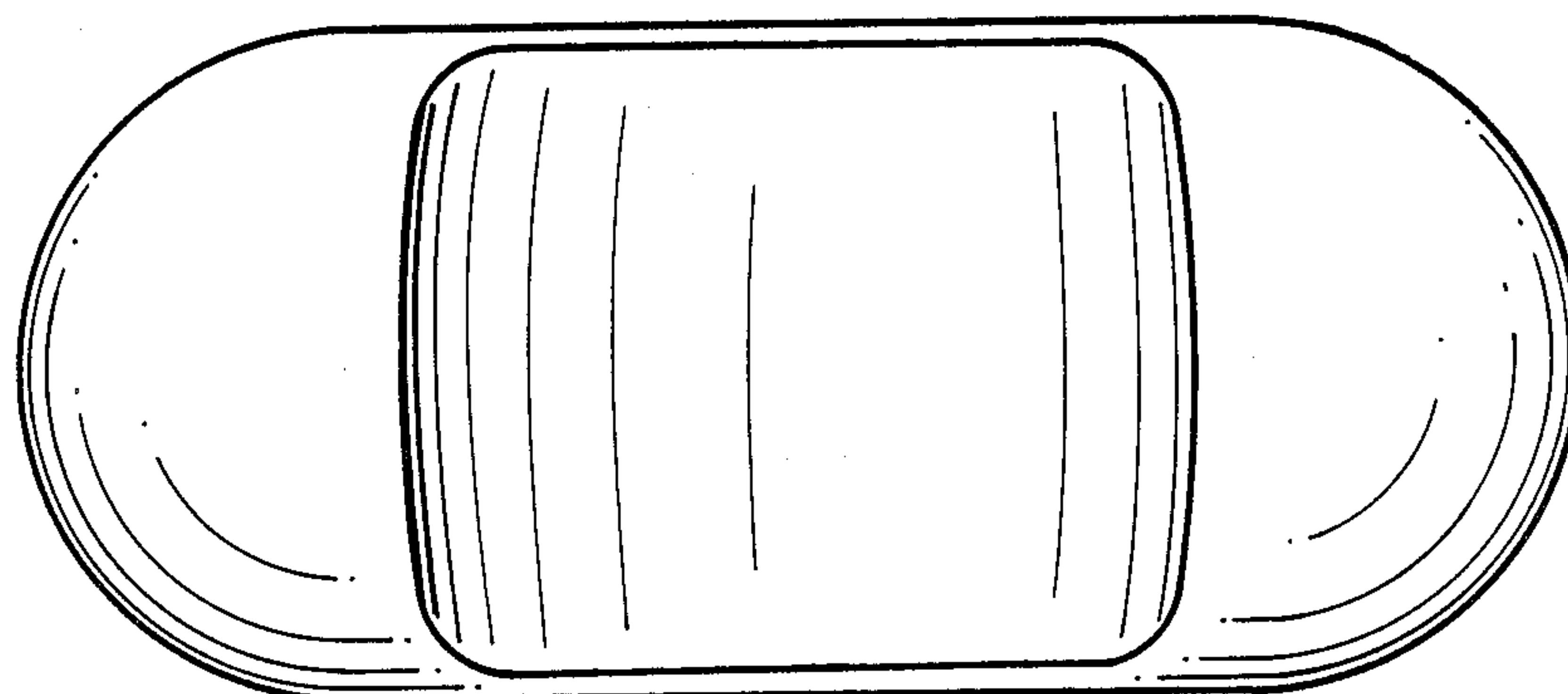
*Fig. 2*



*Fig. 3*



*Fig. 4*



*Fig. 5*