

[54] **HAND-HELD CUTTING TOOL**

[76] **Inventor: Donald Gugler, 10208 Swinton Ave., Granada Hills, Calif. 91343**

[**] **Term: 14 Years**

[21] **Appl. No.: 807,031**

[22] **Filed: Dec. 9, 1985**

[52] **U.S. Cl. D8/98; D8/101**

[58] **Field of Search D8/14, 98-101, D8/107; 30/278, 289, 299, 314, 332, 337, 156, 160**

[56] **References Cited**

U.S. PATENT DOCUMENTS

D. 257,120	9/1980	Wheat	D8/14
1,493,620	5/1924	Evers	30/156
2,119,045	5/1938	Dietrich	30/337

FOREIGN PATENT DOCUMENTS

827467	1/1952	Fed. Rep. of Germany	30/337
318263	2/1957	Switzerland	30/299

OTHER PUBLICATIONS

"Spearhead", Handy Gasket Cutter, No. 750 Advertisement, ©1976.

Primary Examiner—Wallace R. Burke
Assistant Examiner—Clare E. Heflin
Attorney, Agent, or Firm—Allan M. Shapiro

[57] **CLAIM**

The ornamental design for a hand-held cutting tool, as shown.

DESCRIPTION

FIG. 1 is a front, top and left end perspective view of a hand-held cutting tool, showing my new design; FIG. 2 is a rear elevational view thereof; FIG. 3 is a top plan view thereof; FIG. 4 is a bottom plan view thereof; and FIG. 5 is a right end elevational view thereof.

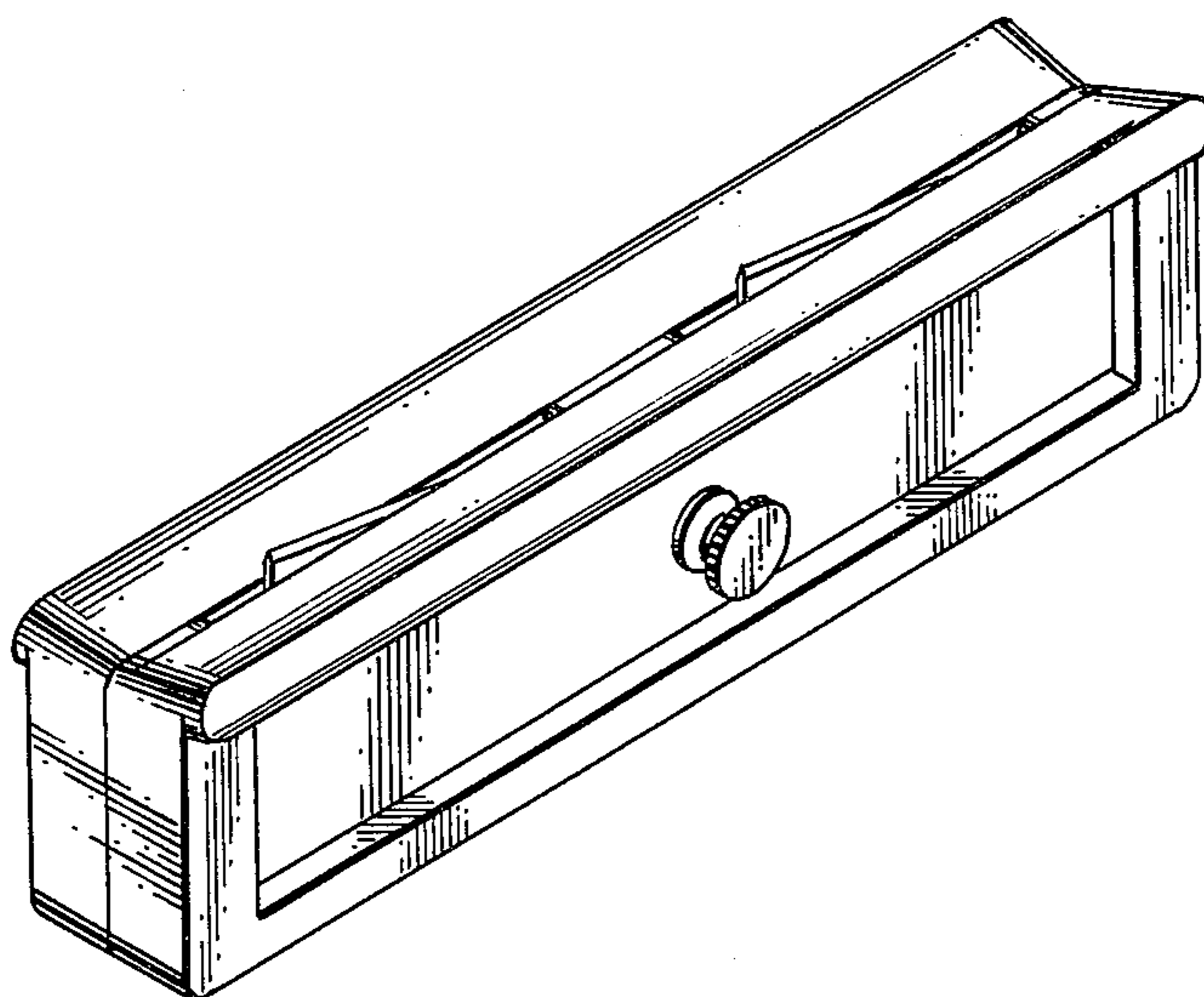


FIG. 1

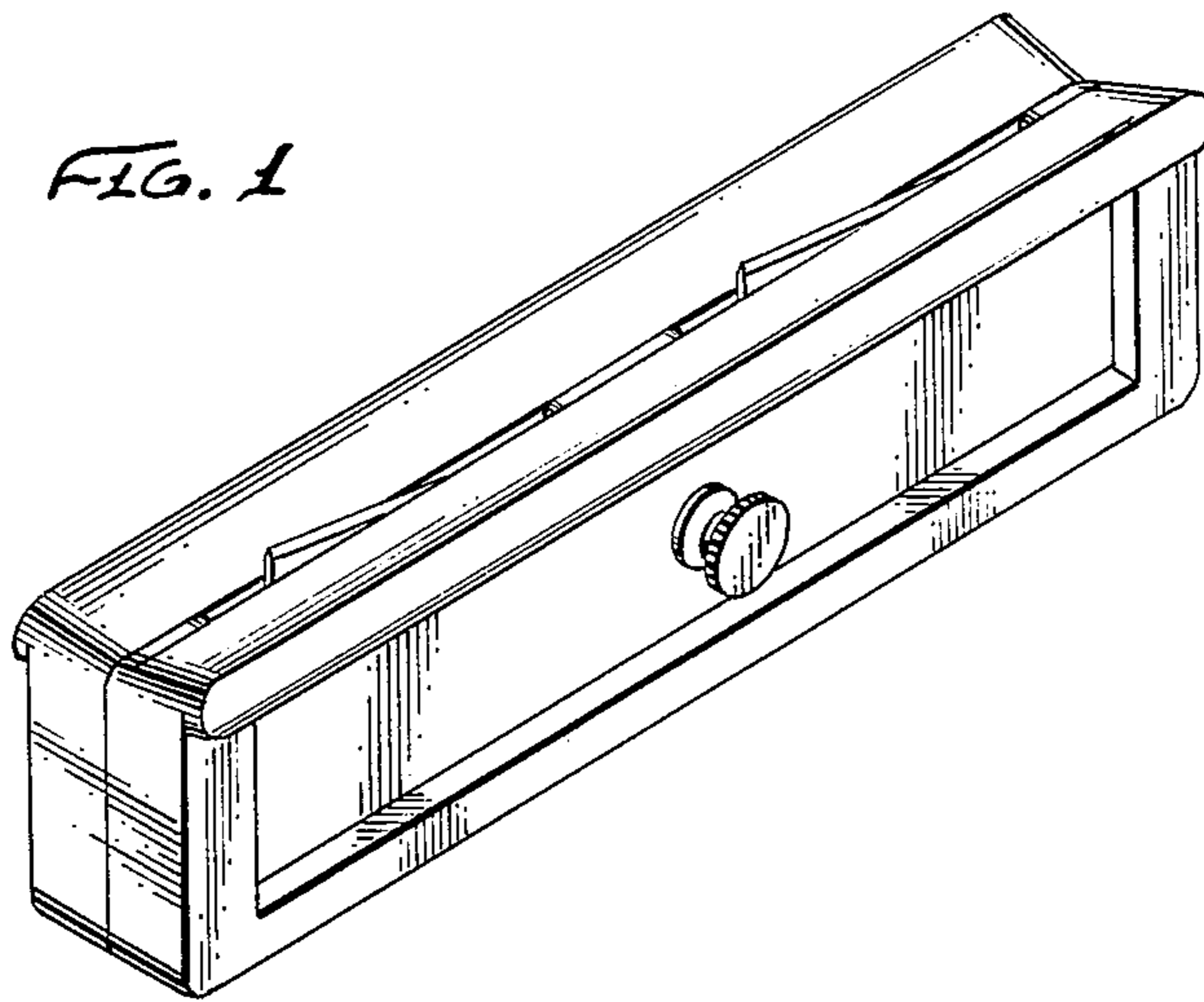


FIG. 2

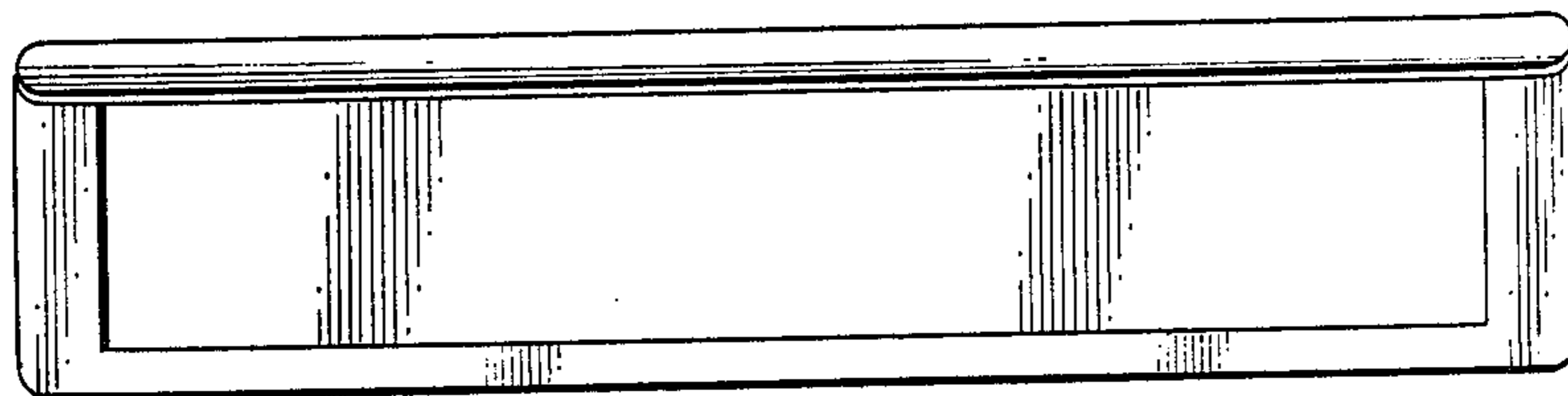


FIG. 3

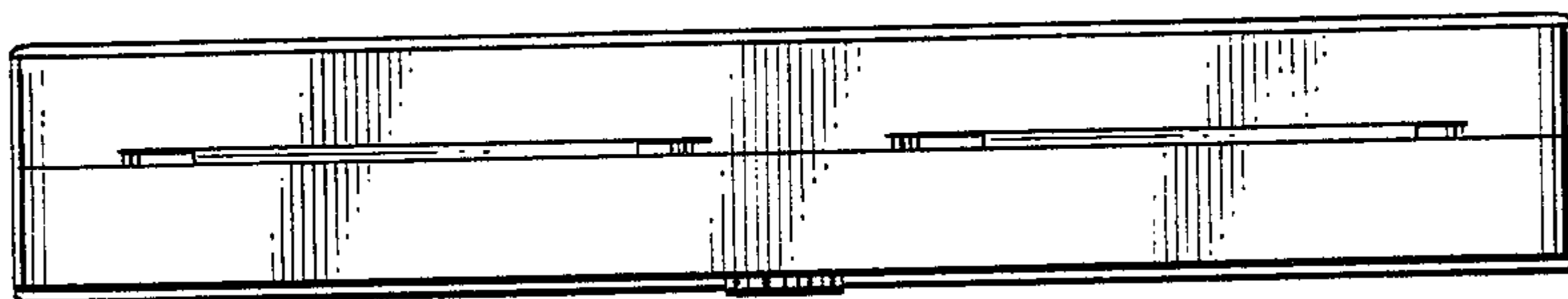
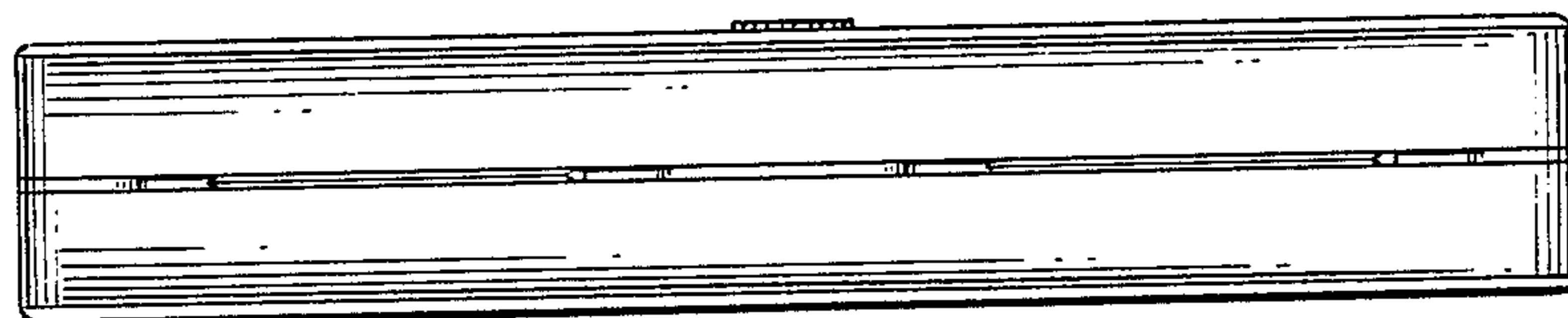


FIG. 4

FIG. 5

