

[54] **NUT CRACKER**

[75] **Inventor: André Luc, Lesigny, France**

[73] **Assignee: Arlas, Paris, France**

[**] **Term: 14 Years**

[21] **Appl. No.: 869,964**

[22] **Filed: Jun. 2, 1986**

[30] **Foreign Application Priority Data**

Dec. 11, 1985 [FR] France 855896

[52] **U.S. Cl. D7/98**

[58] **Field of Search D7/98; D8/52, 56;
30/120.1-120.5**

[56] **References Cited**

U.S. PATENT DOCUMENTS

1,883,529 10/1932 Buckwalter 30/120.3

FOREIGN PATENT DOCUMENTS

1508486 1/1968 France .

Primary Examiner—Bernard Ansher

Assistant Examiner—Terry Pfeffer

Attorney, Agent, or Firm—Young & Thompson

[57] **CLAIM**

The ornamental design for a nut cracker, as shown and described.

DESCRIPTION

FIG. 1 is a front elevational view of a nut cracker showing my new design;

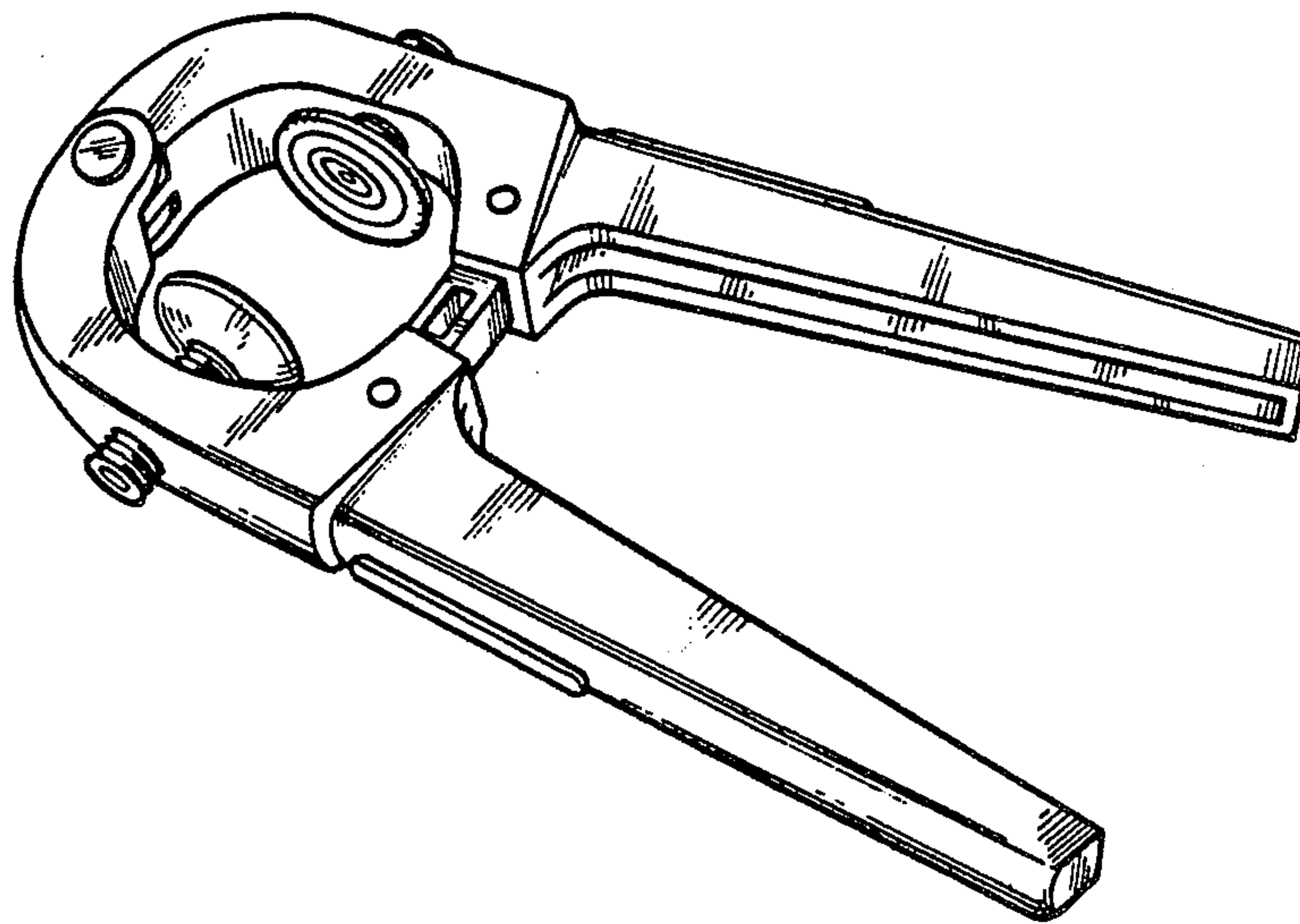
FIG. 2 is a right side elevational view thereof;

FIG. 3 is a top plan view thereof;

FIG. 4 is a bottom plan view thereof;

FIG. 5 is a perspective view thereof; and

FIG. 6 is a perspective view thereof in an open position.



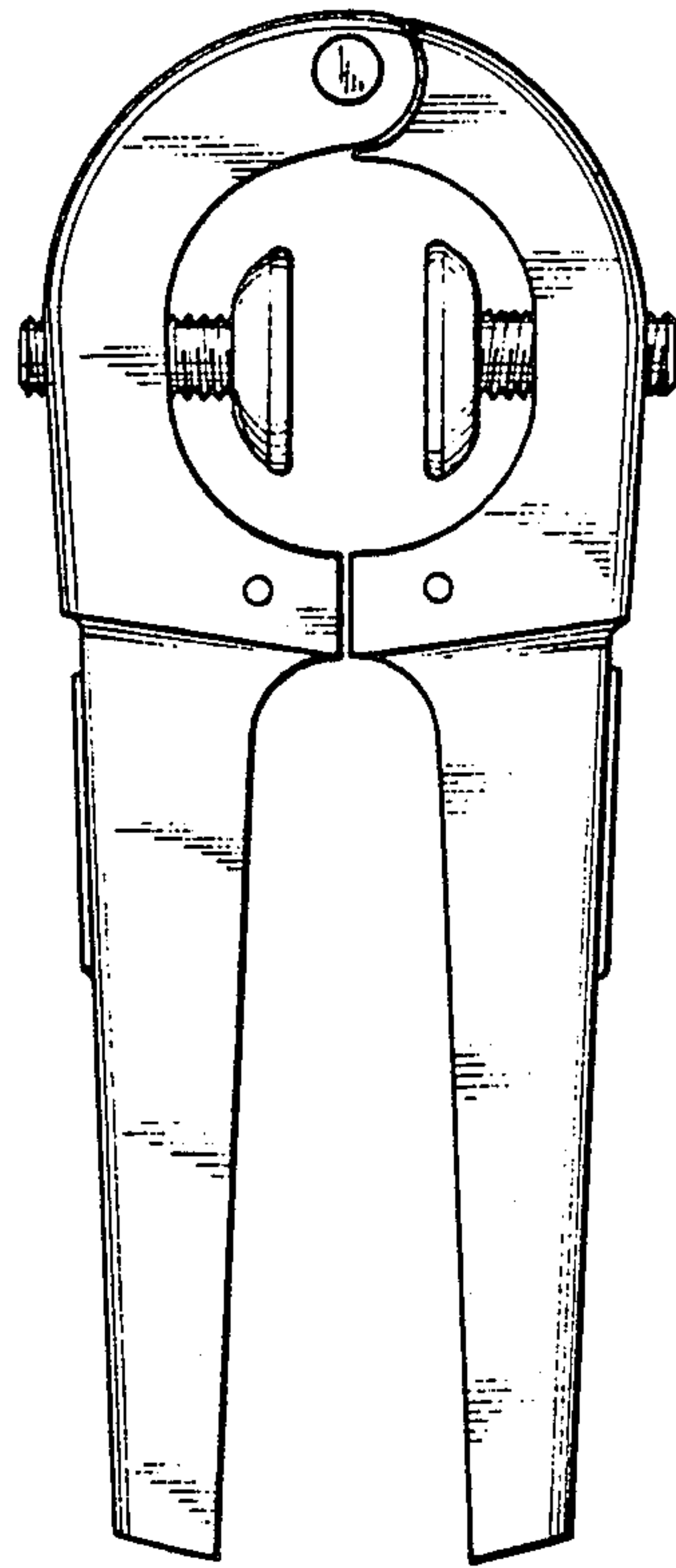


FIG. 1

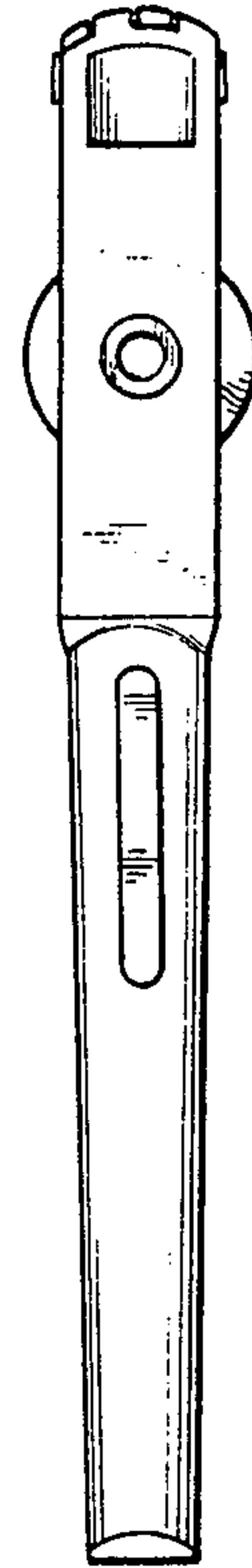


FIG. 2

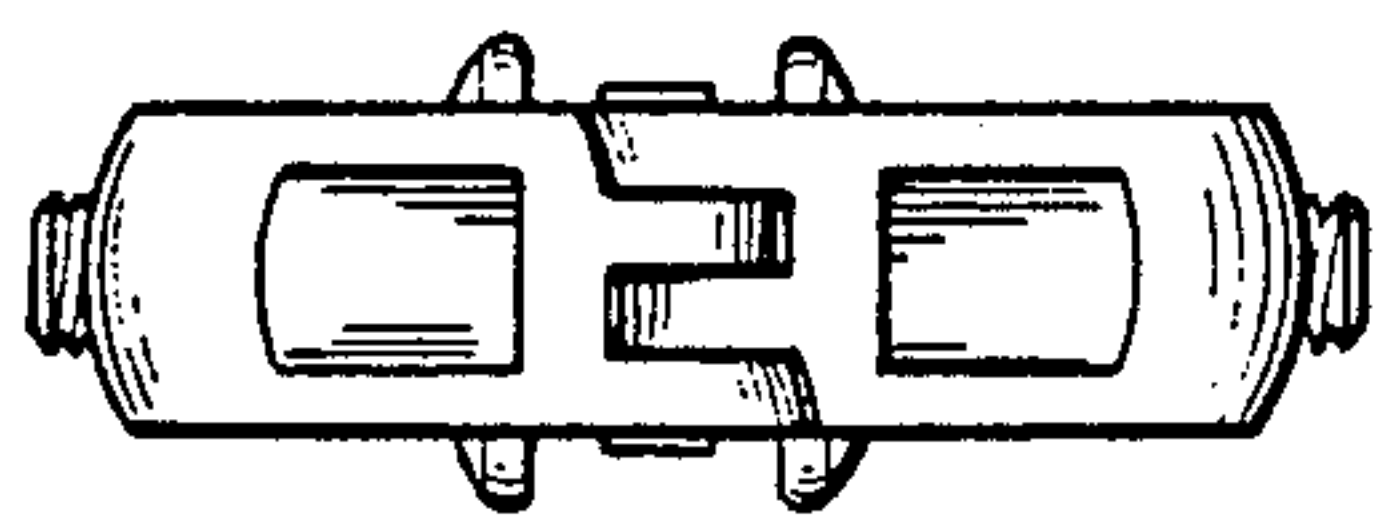


FIG. 3

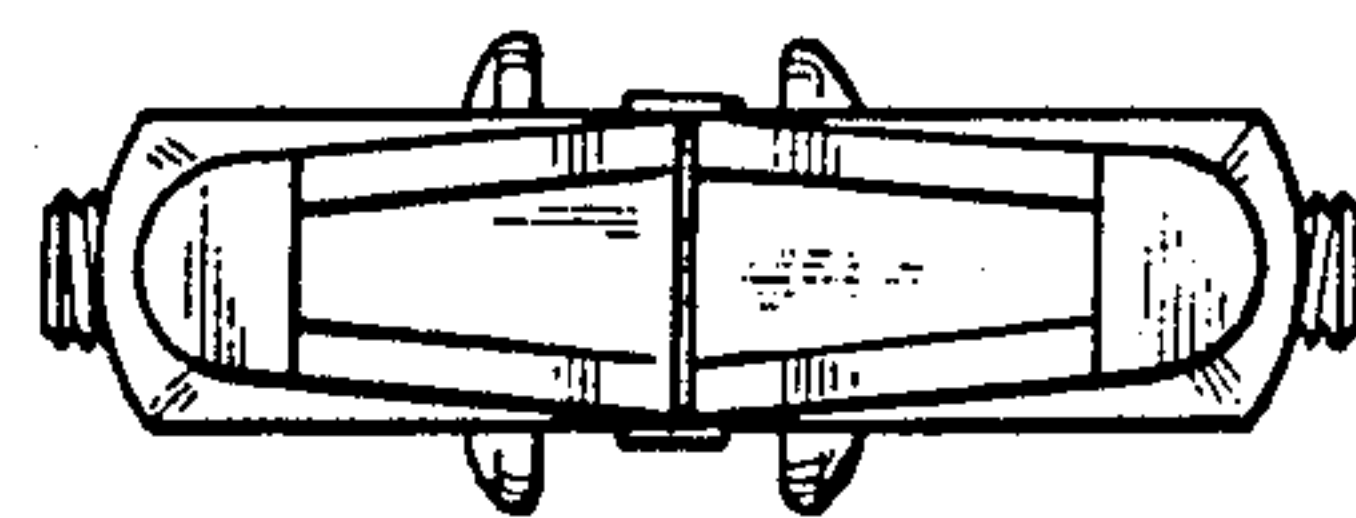


FIG. 4

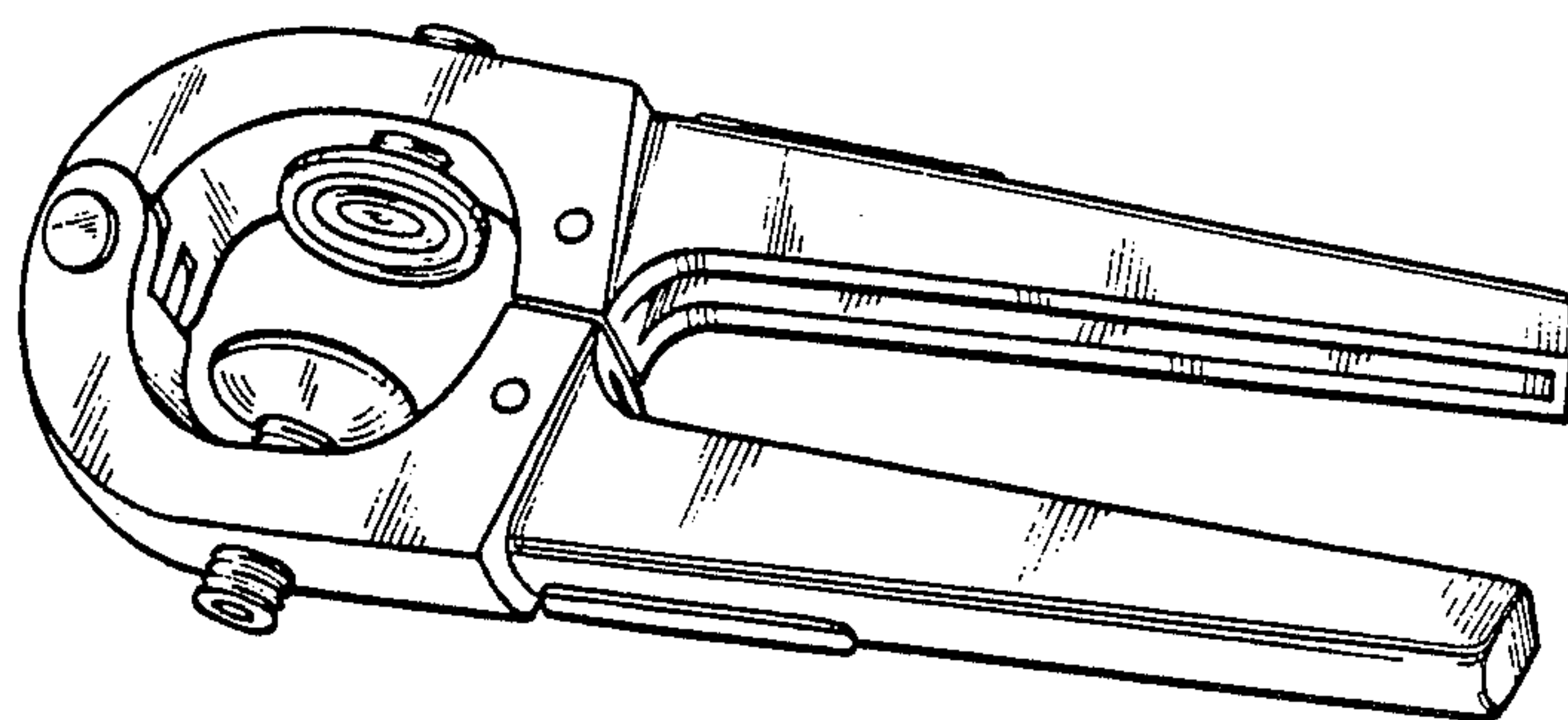


FIG. 5

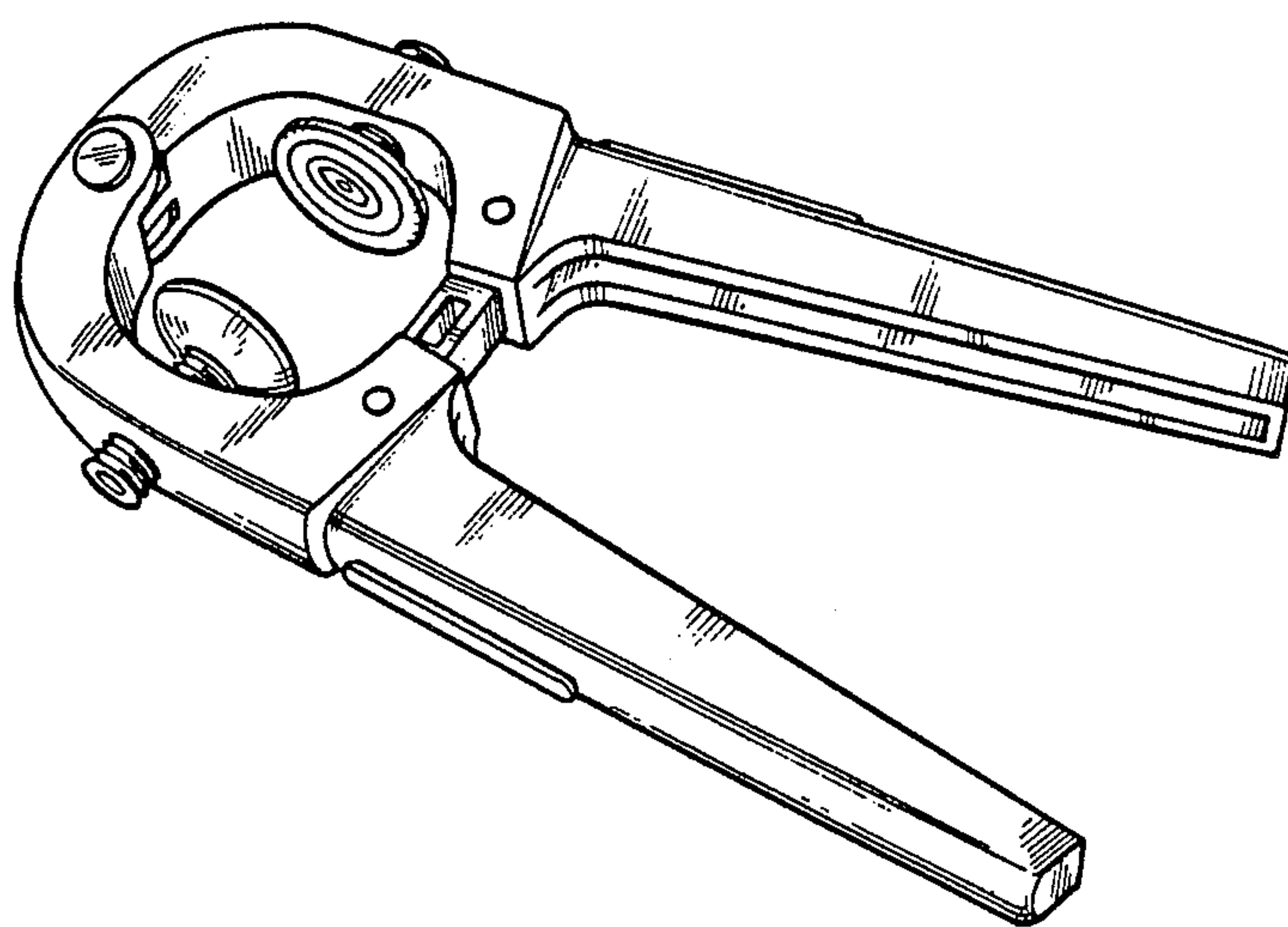


FIG. 6