

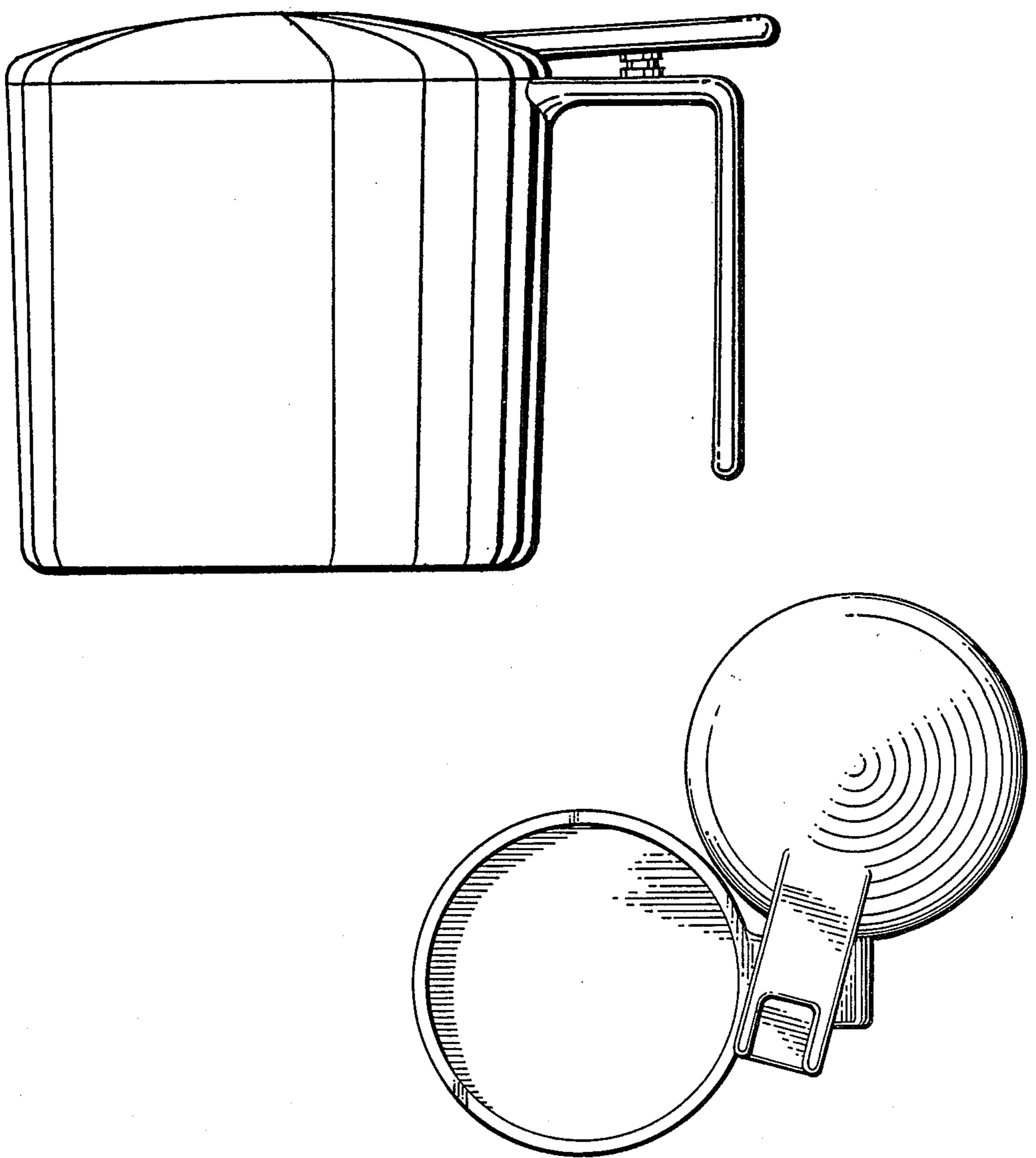
[54] **CUP WITH SIDE SWINGING COVER**  
[76] **Inventor: Wilbur G. Craig, III, 14077 S. Redland Rd., Oregon City, Oregon 97045**  
[\*\*] **Term: 14 Years**  
[21] **Appl. No.: 771,503**  
[22] **Filed: Aug. 30, 1985**  
[52] **U.S. Cl. .... D7/9**  
[58] **Field of Search .... D7/70, 6, 15, 9**

[56] **References Cited**  
**U.S. PATENT DOCUMENTS**  
D. 57,844 5/1921 Kristofek ..... D7/9  
D. 170,409 9/1953 Hare ..... D7/9  
946,937 1/1910 Dowd ..... D7/9 X  
1,291,284 1/1919 Valent ..... D7/9 X

4,643,326 2/1987 Klingler ..... D7/9 X  
*Primary Examiner—Winifred E. Herrmann*  
*Attorney, Agent, or Firm—Olson and Olson*

[57] **CLAIM**  
The ornamental design for a cup with side swinging cover, as shown and described.

**DESCRIPTION**  
FIG. 1 is a front elevational view of a cup with side swinging cover showing my new design, the rear elevational view is a mirror image thereof.  
FIG. 2 is a right side elevational view thereof.  
FIG. 3 is a left side elevational view thereof.  
FIG. 4 is a top plan view thereof.  
FIG. 5 is a bottom plan view thereof.  
FIG. 6 is a top plan view thereof with the cover in an open condition.  
FIG. 7 is a bottom plan view thereof of FIG. 6.



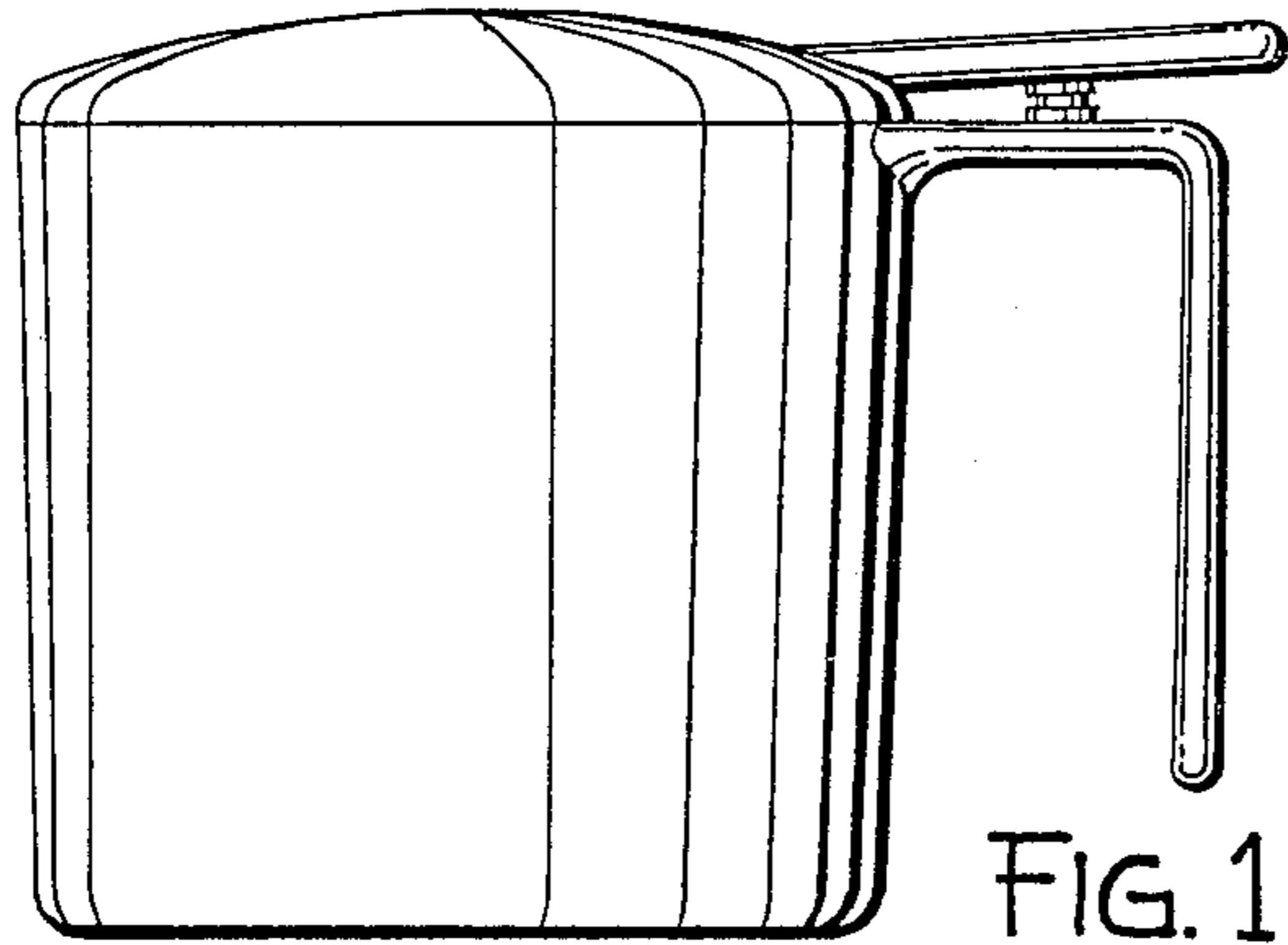


FIG. 1

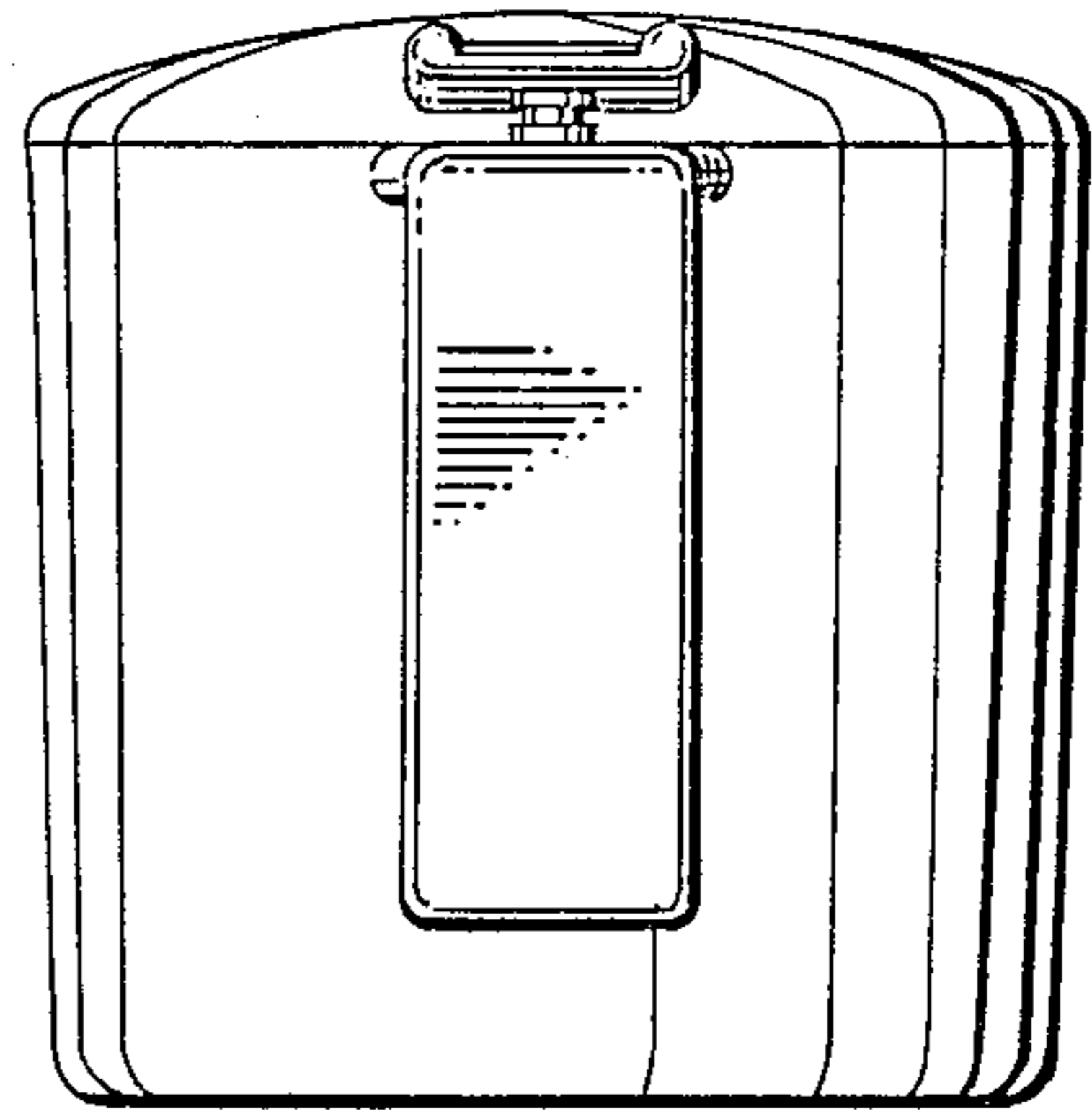


FIG. 2

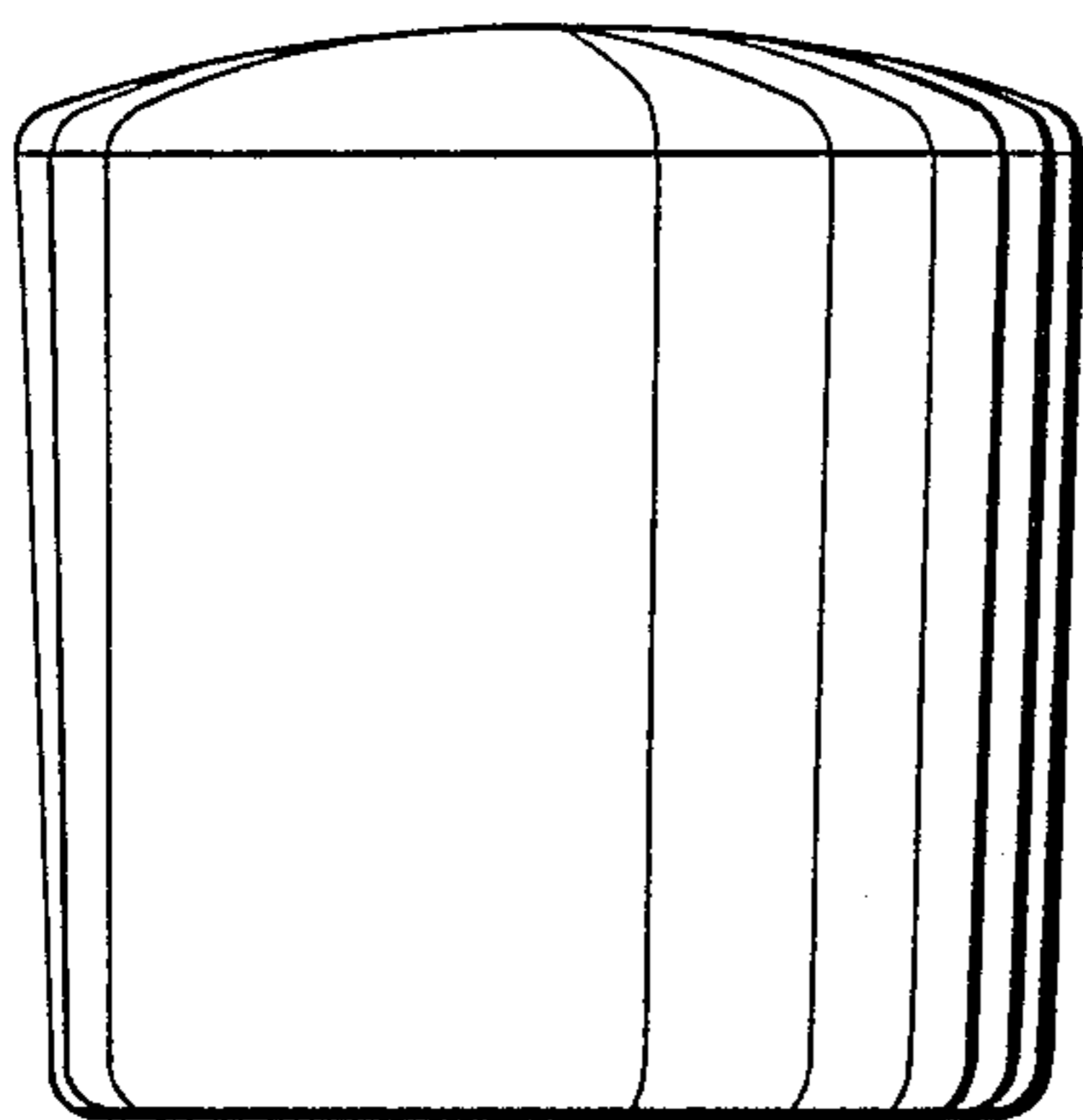


FIG. 3

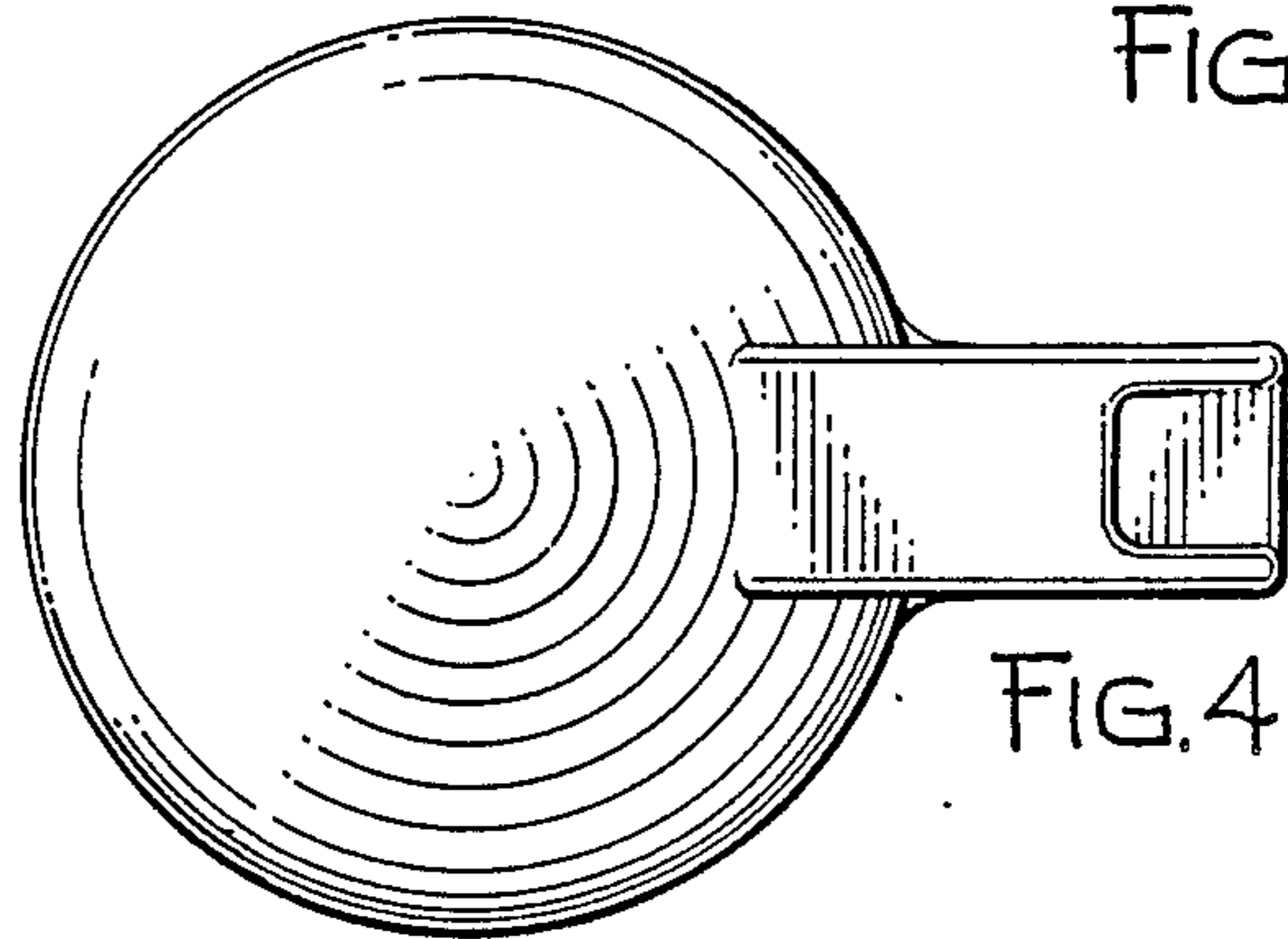


FIG. 4

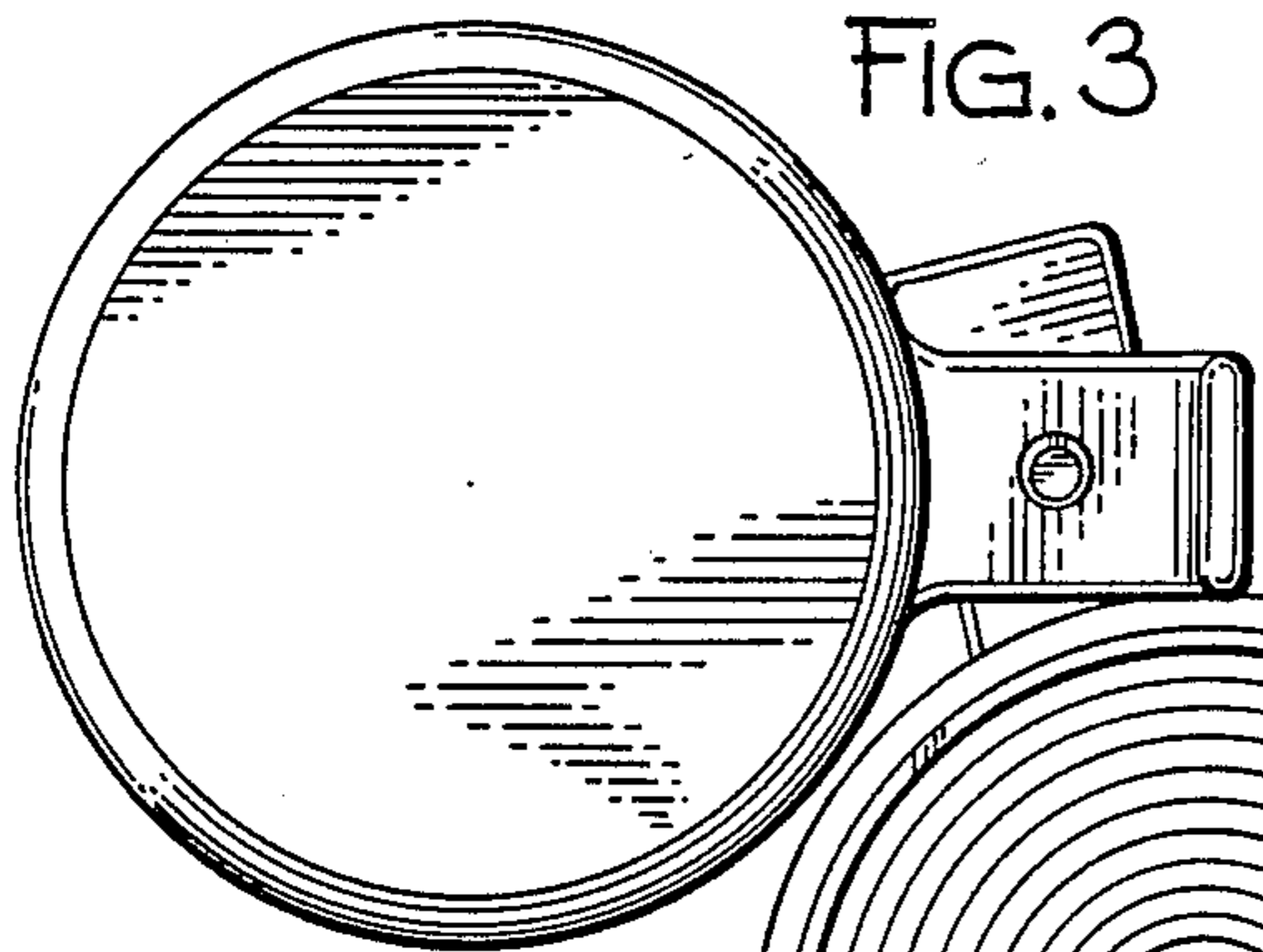


FIG. 5

FIG. 7

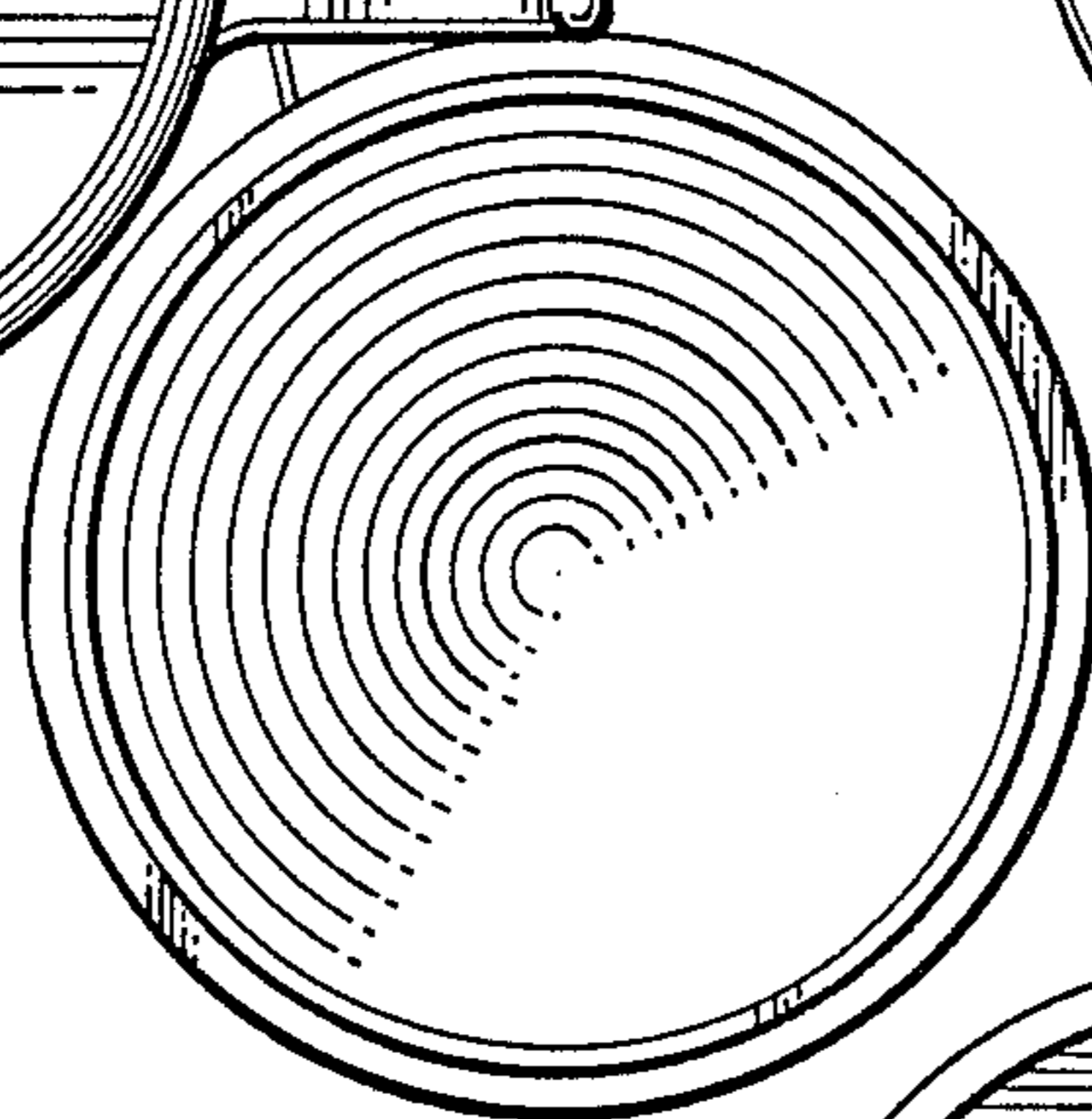


FIG. 6