

- [54] **WALL-MOUNTED DISPENSER FOR SURGICAL SCRUB SOLUTIONS**
- [75] **Inventors:** Robert L. Vogel, Wallingford, Conn.;
Barry L. Snyder, Ocala, Fla.
- [73] **Assignee:** Professional Medical Products, Inc.,
Greenwood, S.C.
- [**] **Term:** 14 Years
- [21] **Appl. No.:** 873,214
- [22] **Filed:** Jun. 11, 1986
- [52] **U.S. Cl.** D6/545
- [58] **Field of Search** D6/512, 524, 542-543,
D6/545; 221/282; 248/311.2, 312-313;
222/173, 180, 183-184, 372, 379, 382-383;
215/1

- 3,233,787 2/1966 Ross 222/179
- 3,253,786 5/1966 Parmelee 239/284
- 3,897,890 8/1975 Jente 222/179
- 4,615,476 10/1986 Hobbs et al. 222/180 X
- 4,679,709 7/1987 Poitras et al. 222/180

OTHER PUBLICATIONS

Ballard Medical Products, 1-page advertisement entitled "Foam Care® Surgical Scrub System".
Huntington Healthcare, Maintenance & Industrial Chemicals, 2-page advertisement entitled "Scrub-Mate™".

Primary Examiner—Wallace R. Burke
Assistant Examiner—Brian N. Vinson
Attorney, Agent, or Firm—Luke J. Wilburn, Jr.

CLAIM

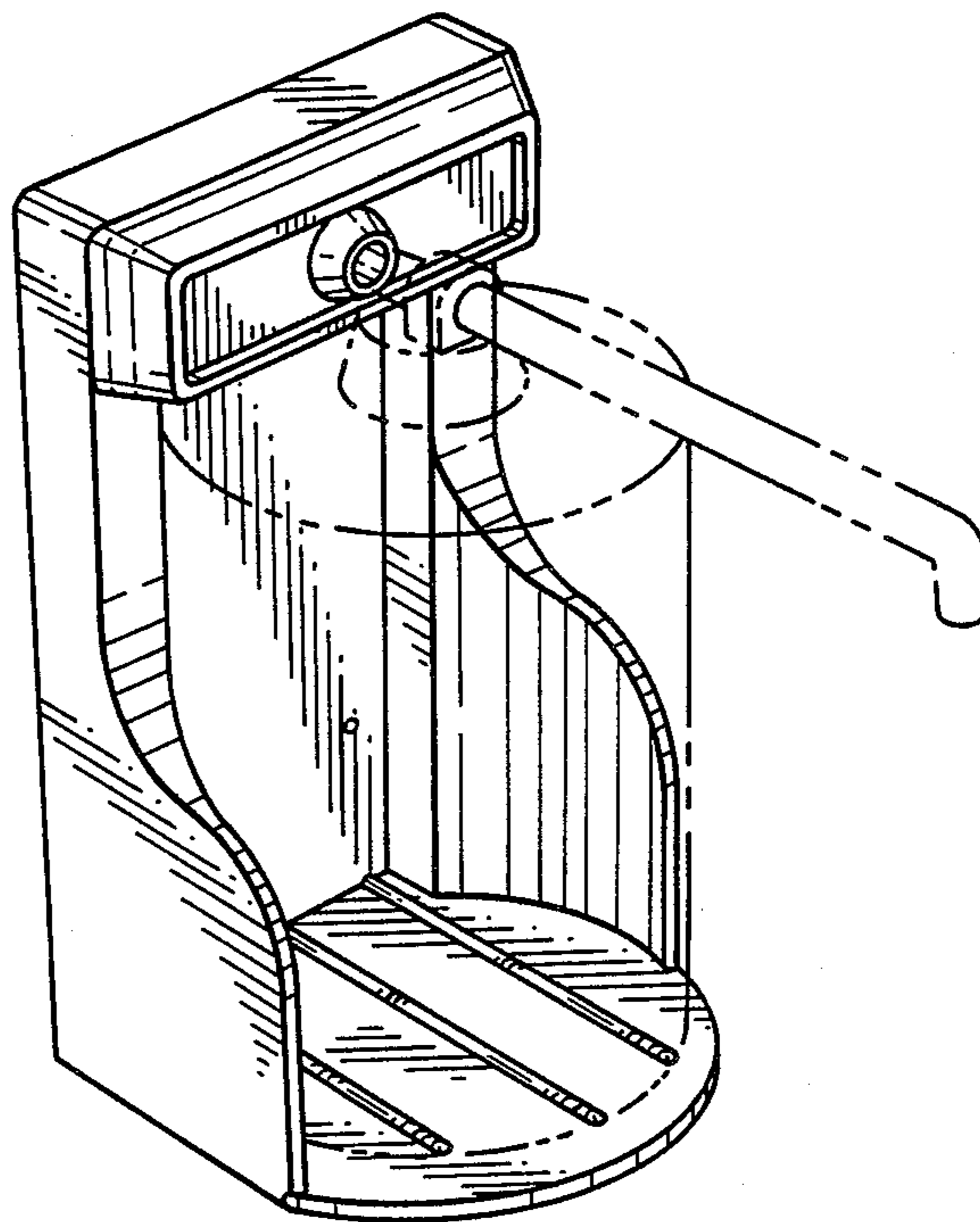
[57] The ornamental design for a wall-mounted dispenser for surgical scrub solutions, substantially as shown and described.

DESCRIPTION

FIG. 1 is a top, front and left side perspective view of a wall-mounted dispenser for surgical scrub solutions showing our new design, with the broken-line disclosure of the container and nozzle being for illustrative purposes only and forming no part of the claimed design;
FIG. 2 is a left side elevational view thereof;
FIG. 3 is a front elevational view thereof;
FIG. 4 is a rear elevational view thereof;
FIG. 5 is a top plan view thereof; and,
FIG. 6 is a bottom plan view thereof.

[56] **References Cited**
U.S. PATENT DOCUMENTS

- D. 85,766 12/1931 Renzenhausen et al. D6/542
- D. 210,567 3/1968 Stanziale D6/545
- D. 217,872 6/1970 Sessions D6/545
- D. 238,322 1/1976 Kulhanjian D6/545
- D. 238,918 2/1976 Breen D6/545
- D. 752,055 5/1928 Bloodhart D6/542
- 1,919,257 7/1933 Renzenhausen 222/180
- 2,153,156 4/1939 Pollnow 221/94
- 2,294,236 8/1942 Levernier 221/102
- 2,302,170 11/1942 Basler 248/313
- 2,561,578 7/1951 Koester 222/192
- 2,628,744 2/1953 Mowbray 222/179
- 2,652,952 9/1953 Mowbray 222/180
- 3,033,403 5/1962 Adell 215/1



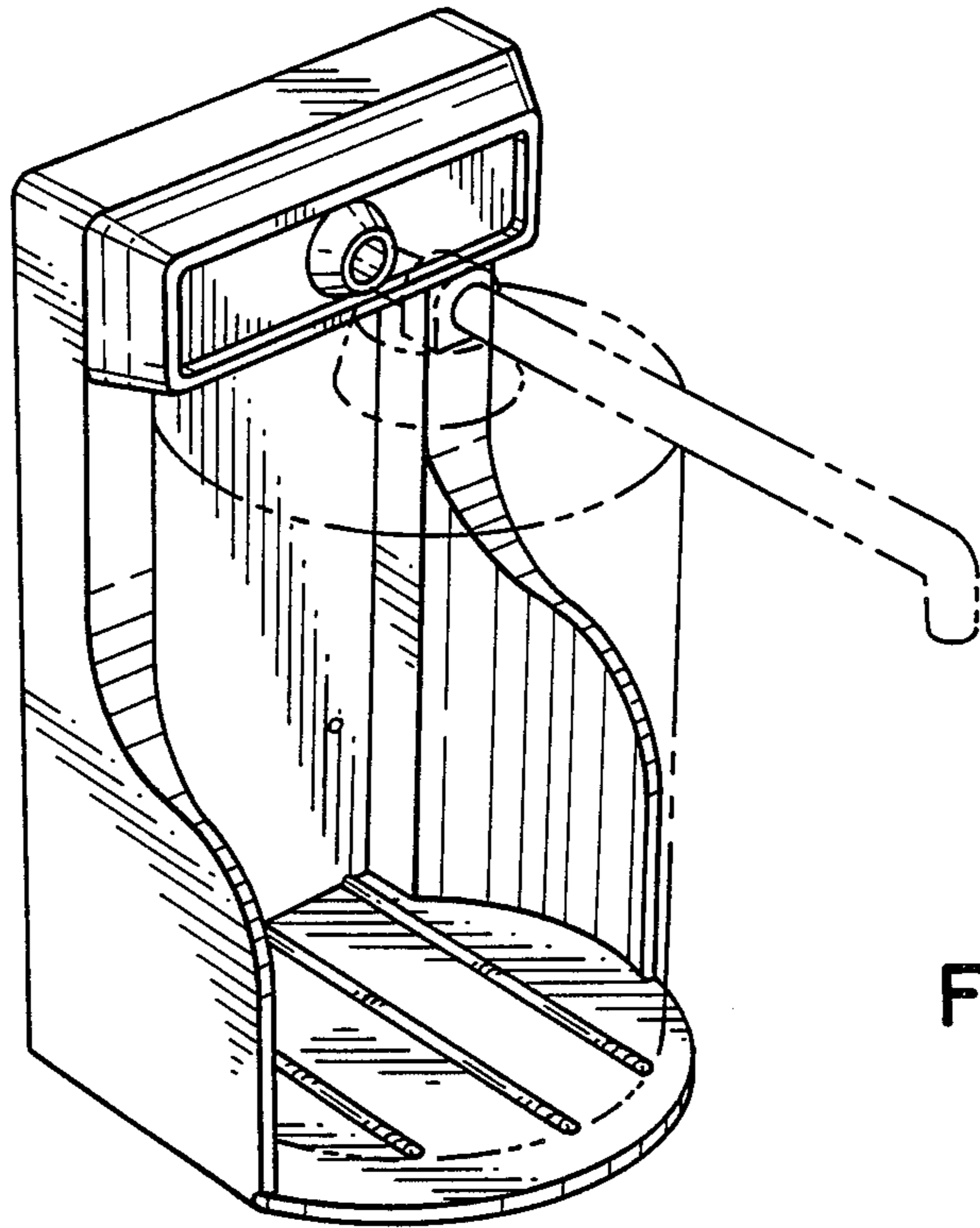


FIG. 1

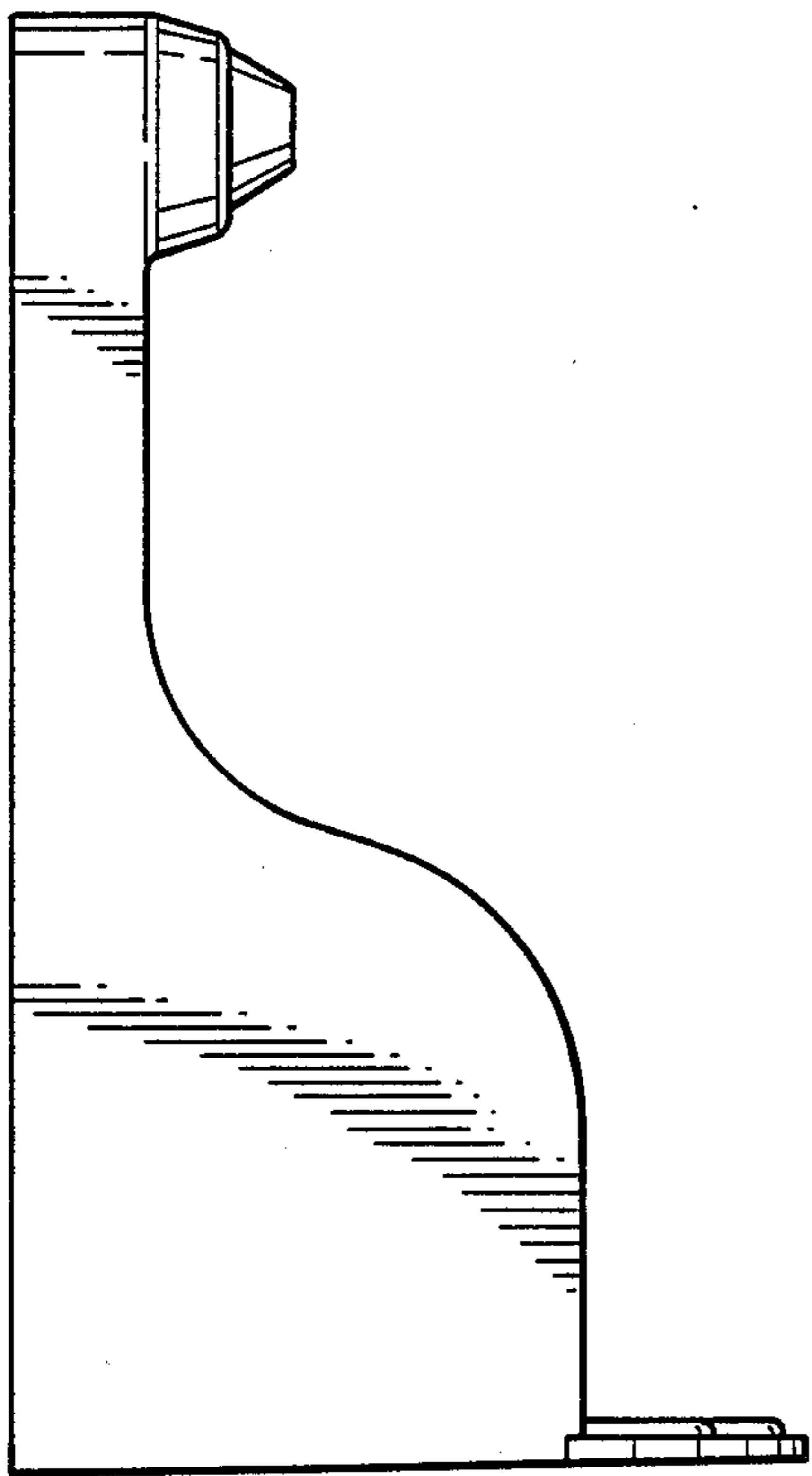


FIG. 2

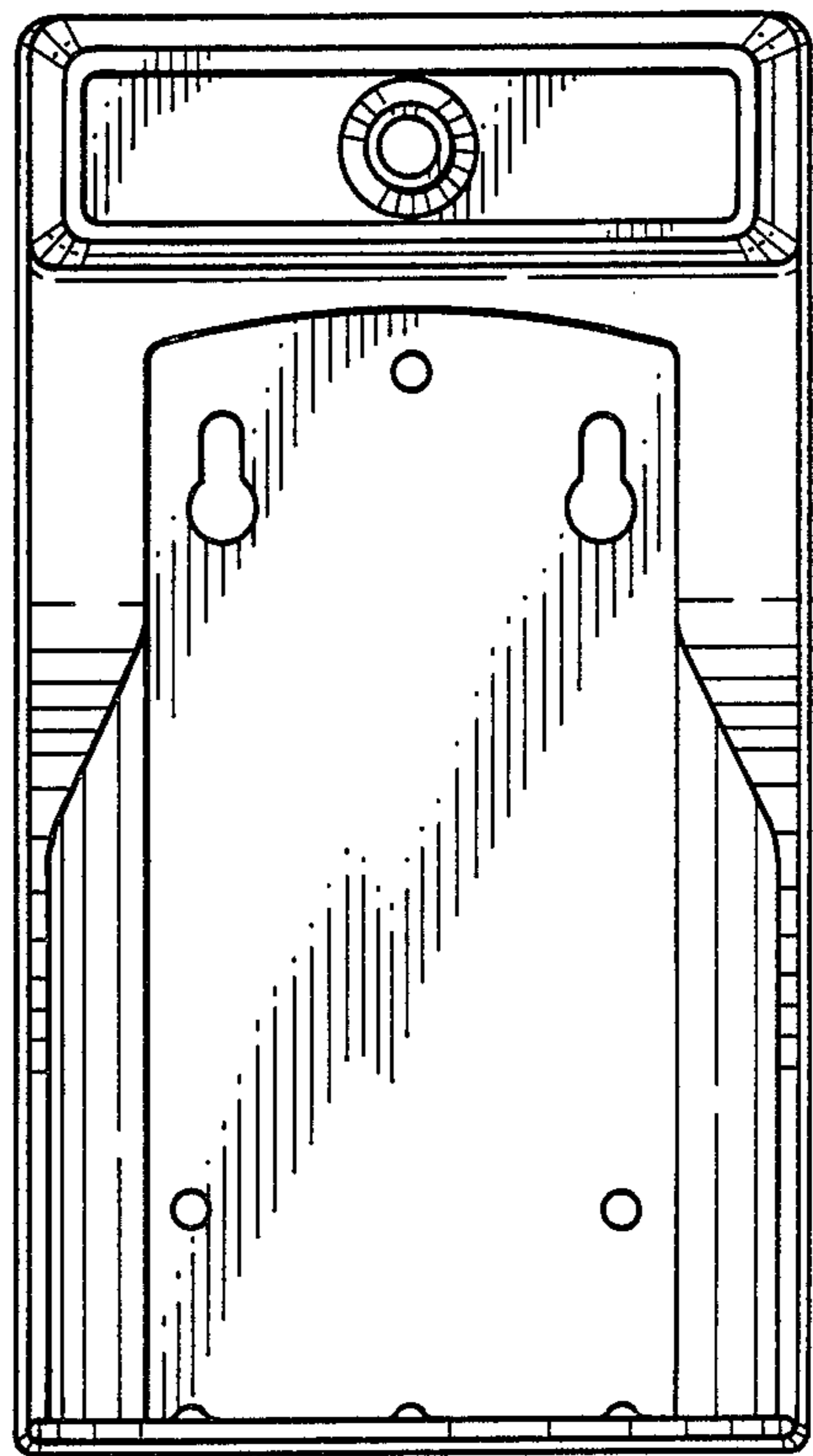


FIG. 3

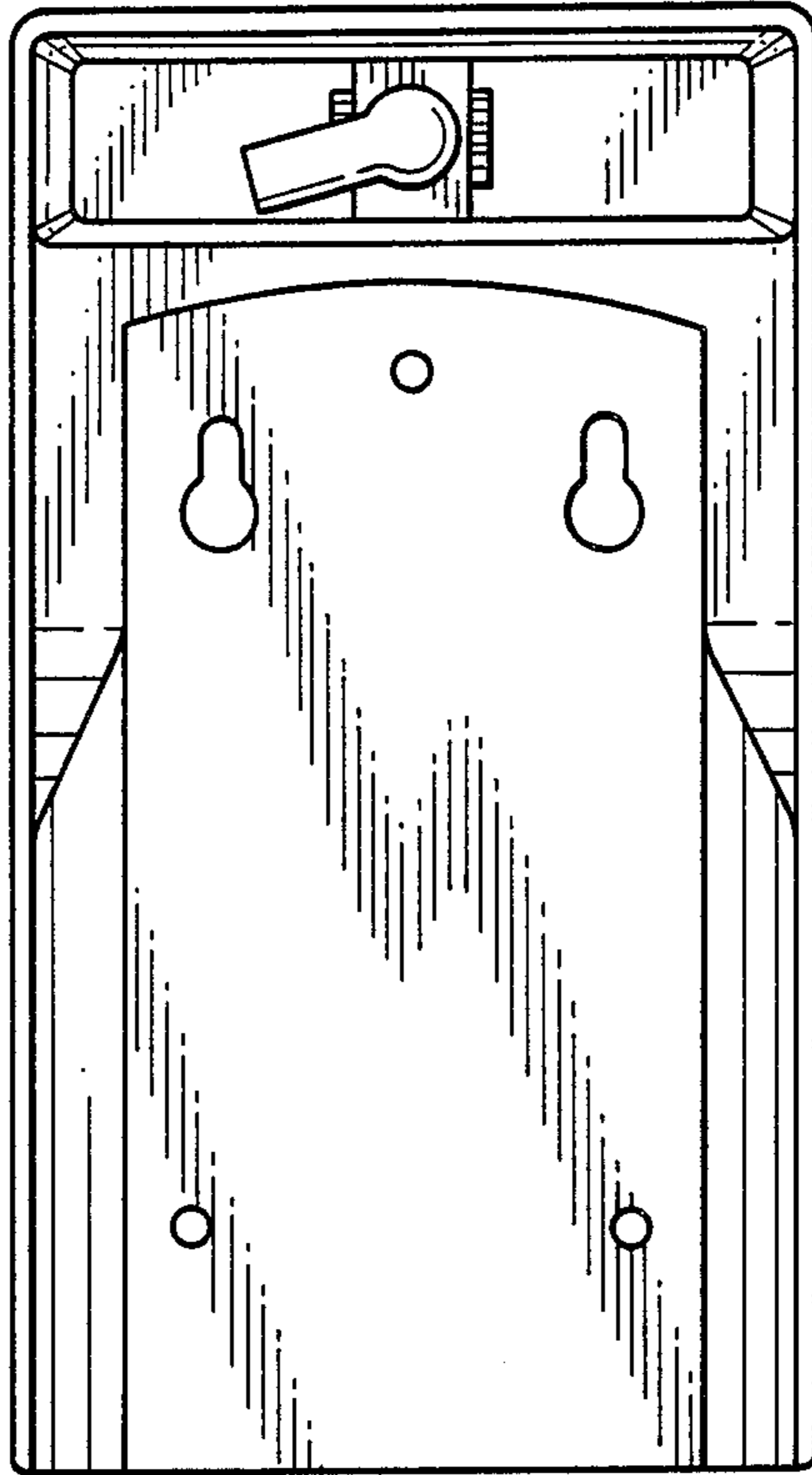


FIG. 4

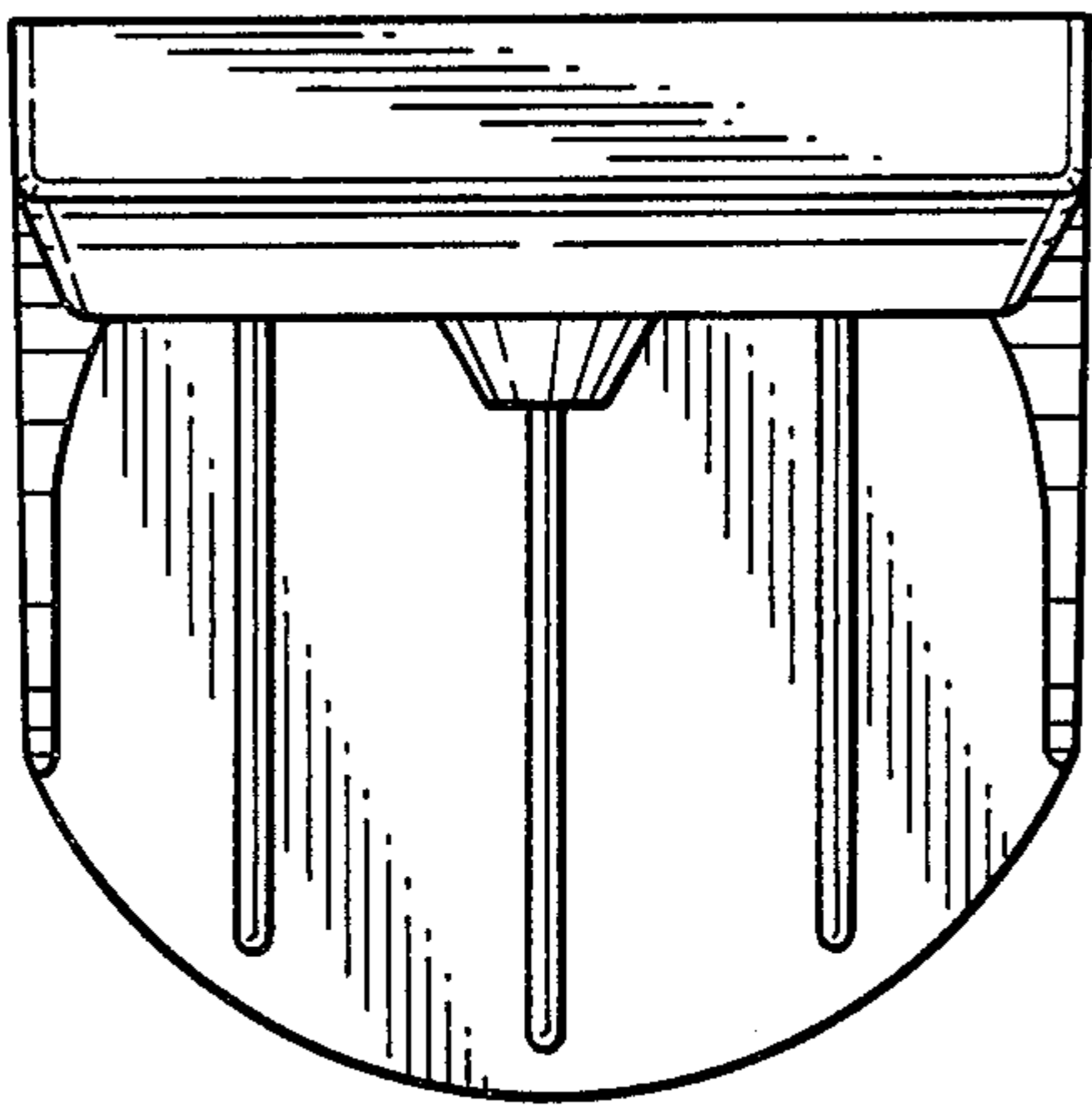


FIG. 5

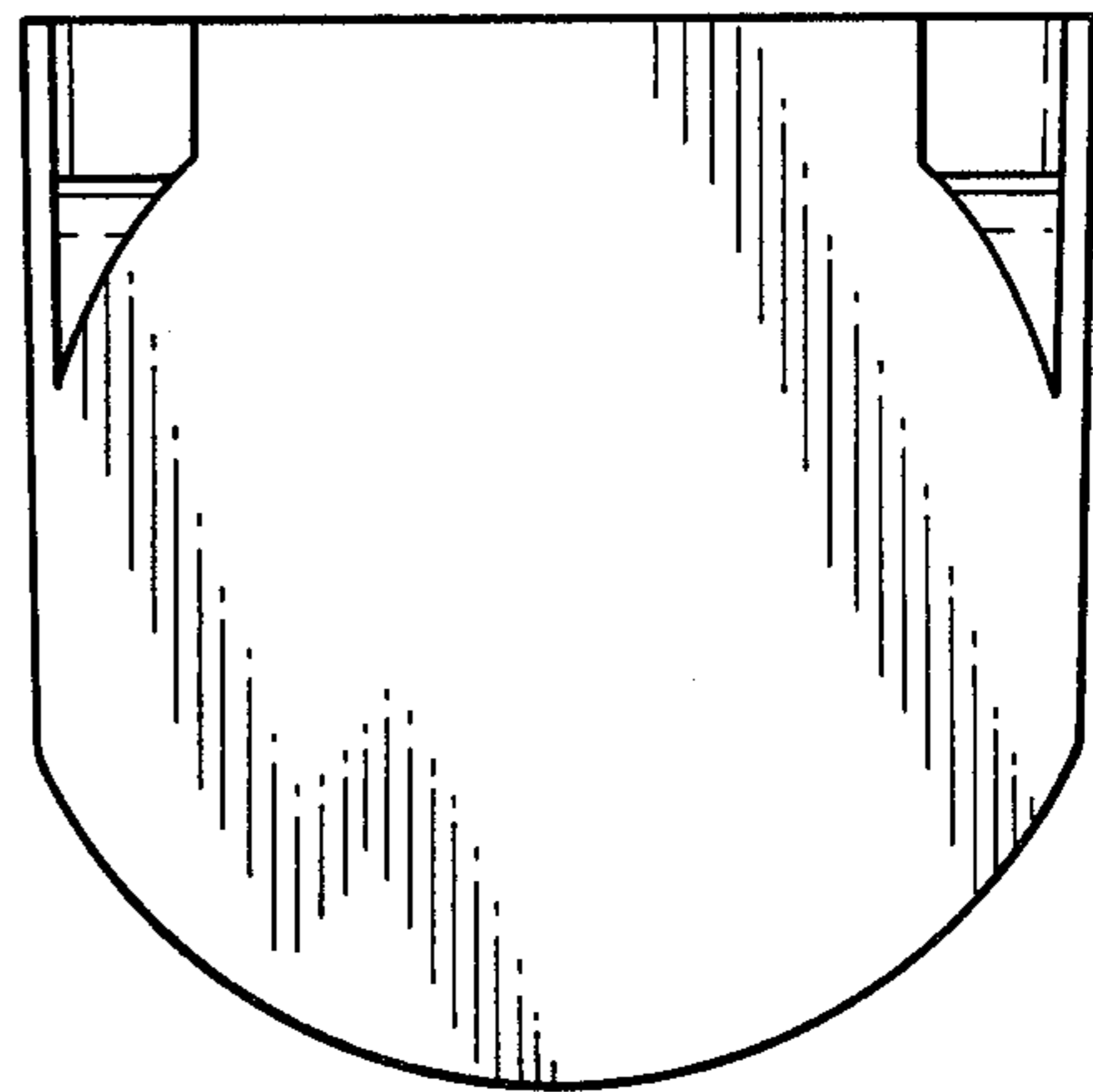


FIG. 6