

[54] DISPLAY CASE

D. 268,069 3/1983 Milstein D6/472
D. 279,413 6/1985 Balducci D6/472 X

[75] Inventor: Derrick V. Francis, Toronto, Canada

Primary Examiner—Carmen H. Vales
Attorney, Agent, or Firm—Cushman, Darby & Cushman

[73] Assignee: Don Watt and Associates
Communications, Inc., Toronto,
Canada

[57] CLAIM

[**] Term: 14 Years

The ornamental design for a display case, as shown and described.

[21] Appl. No.: 802,233

DESCRIPTION

[22] Filed: Nov. 27, 1985

FIG. 1 is a perspective view of a display case showing my new design;

[30] Foreign Application Priority Data

Nov. 27, 1985 [CA] Canada 27-11-85-2

FIG. 2 is a front elevational view thereof;

[52] U.S. Cl. D6/472

FIG. 3 is a top plan view thereof;

[58] Field of Search D6/470, 472; 312/114

FIG. 4 is a side elevational view thereof;

FIG. 5 is a rear elevational view thereof;

[56] References Cited

U.S. PATENT DOCUMENTS

D. 119,509 3/1940 Waddell D6/472
D. 133,435 8/1942 Gunder D6/470

FIG. 6 is a perspective view of a second embodiment of the display case shown in FIG. 1;

FIG. 7 is a perspective view of FIG. 1 shown broken way to indicate indeterminate length; and

FIG. 8 is a perspective view of FIG. 6 shown broken way to indicate indeterminate length.

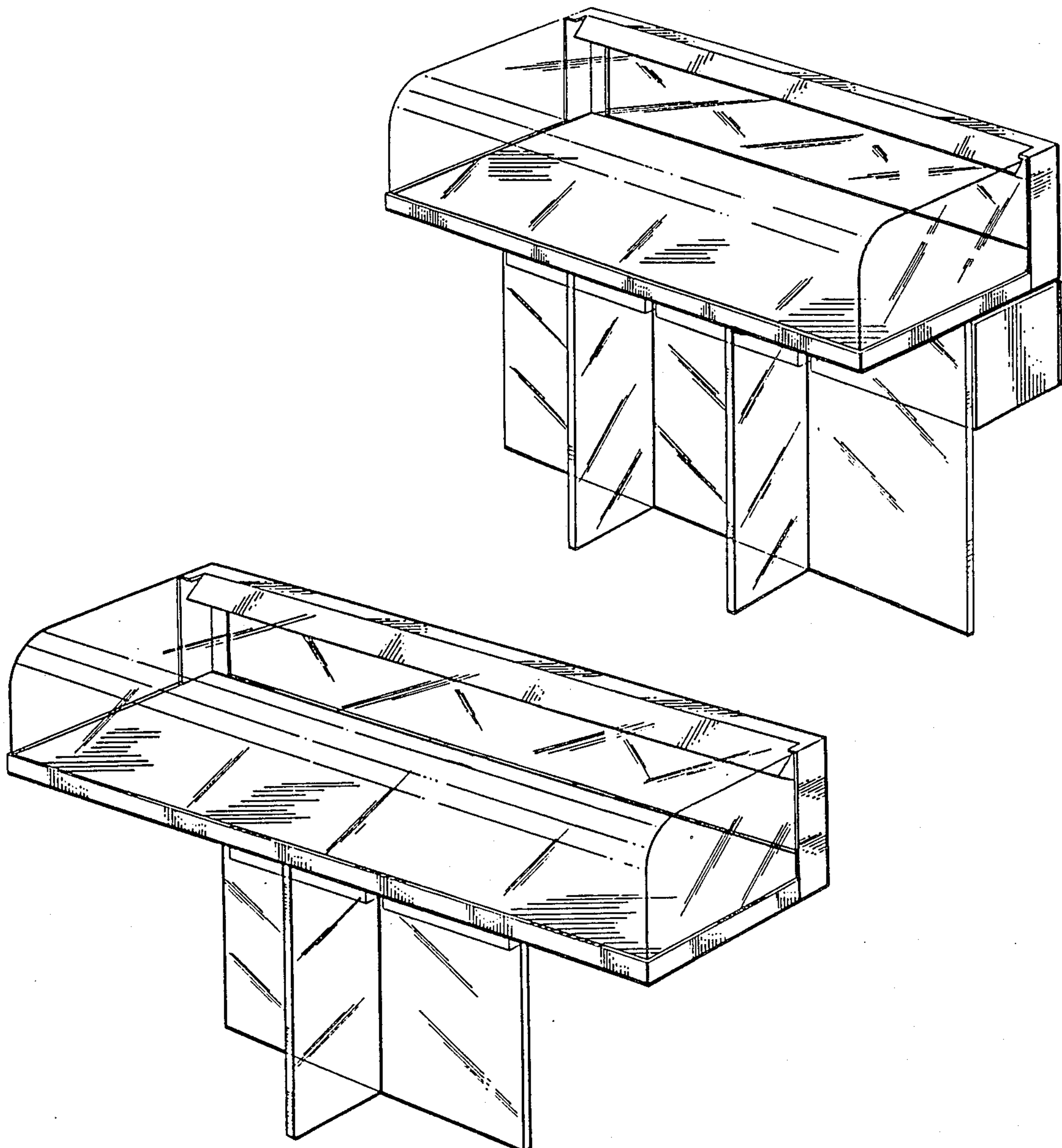


FIG. 1.

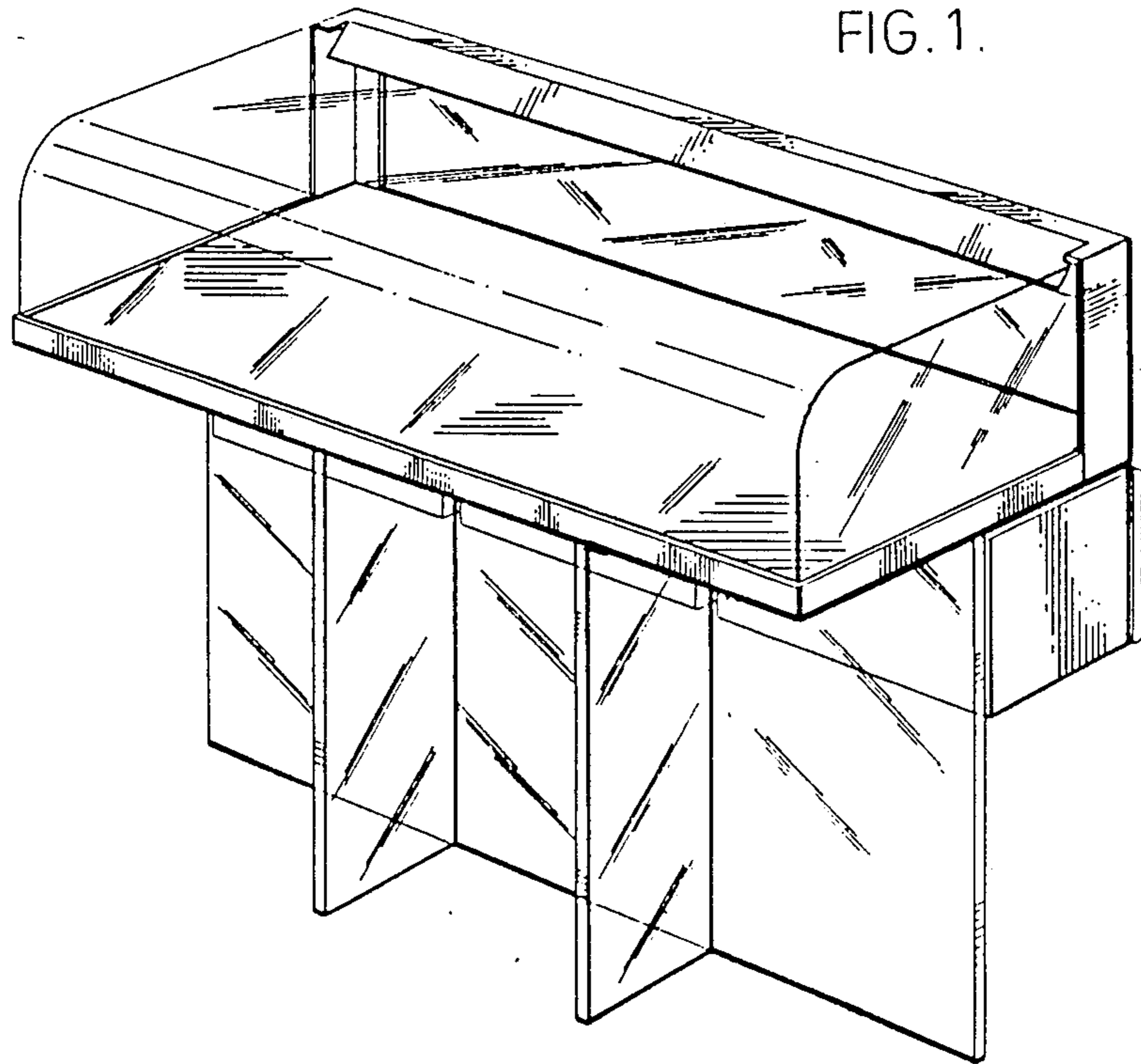
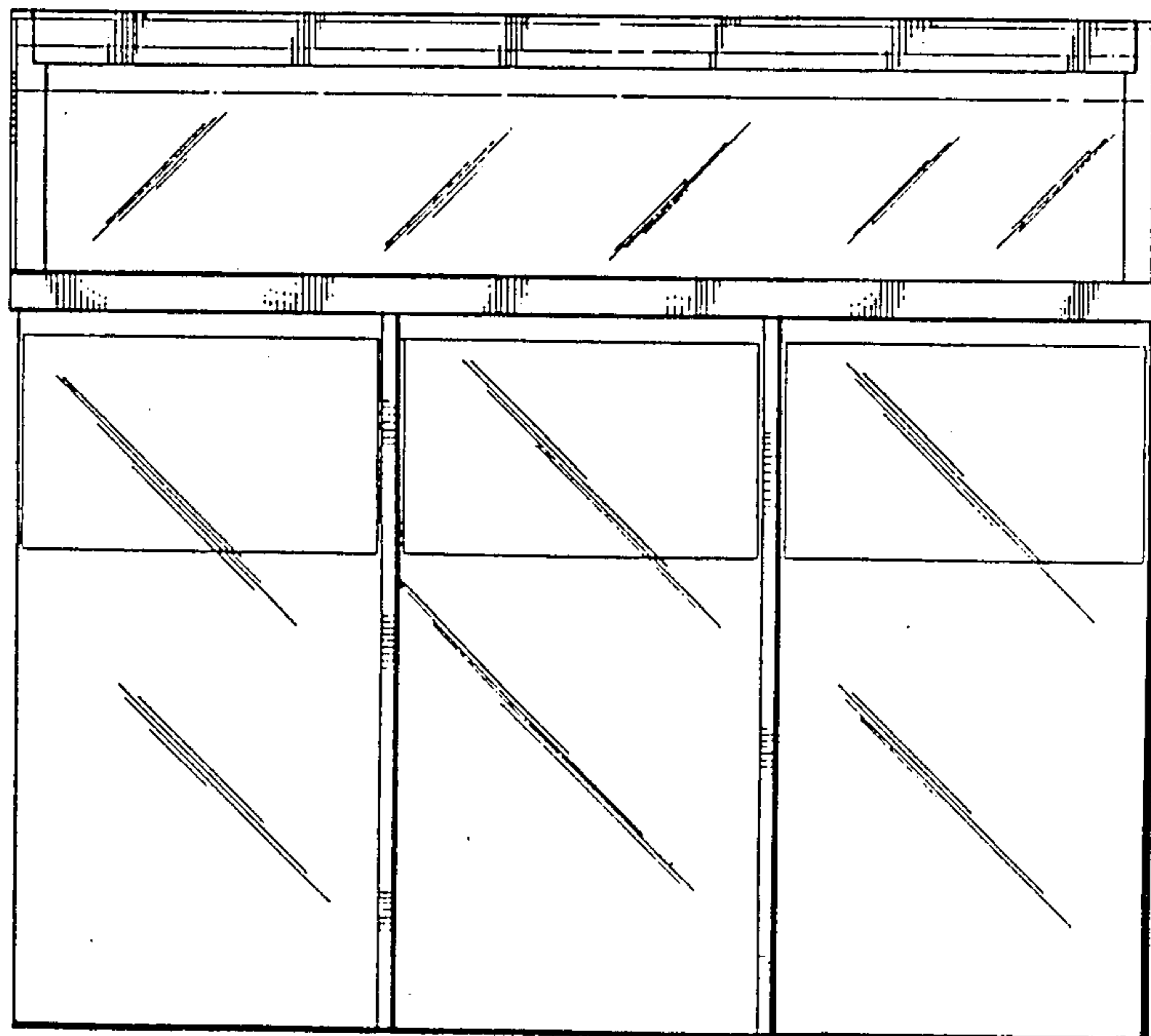


FIG. 2.



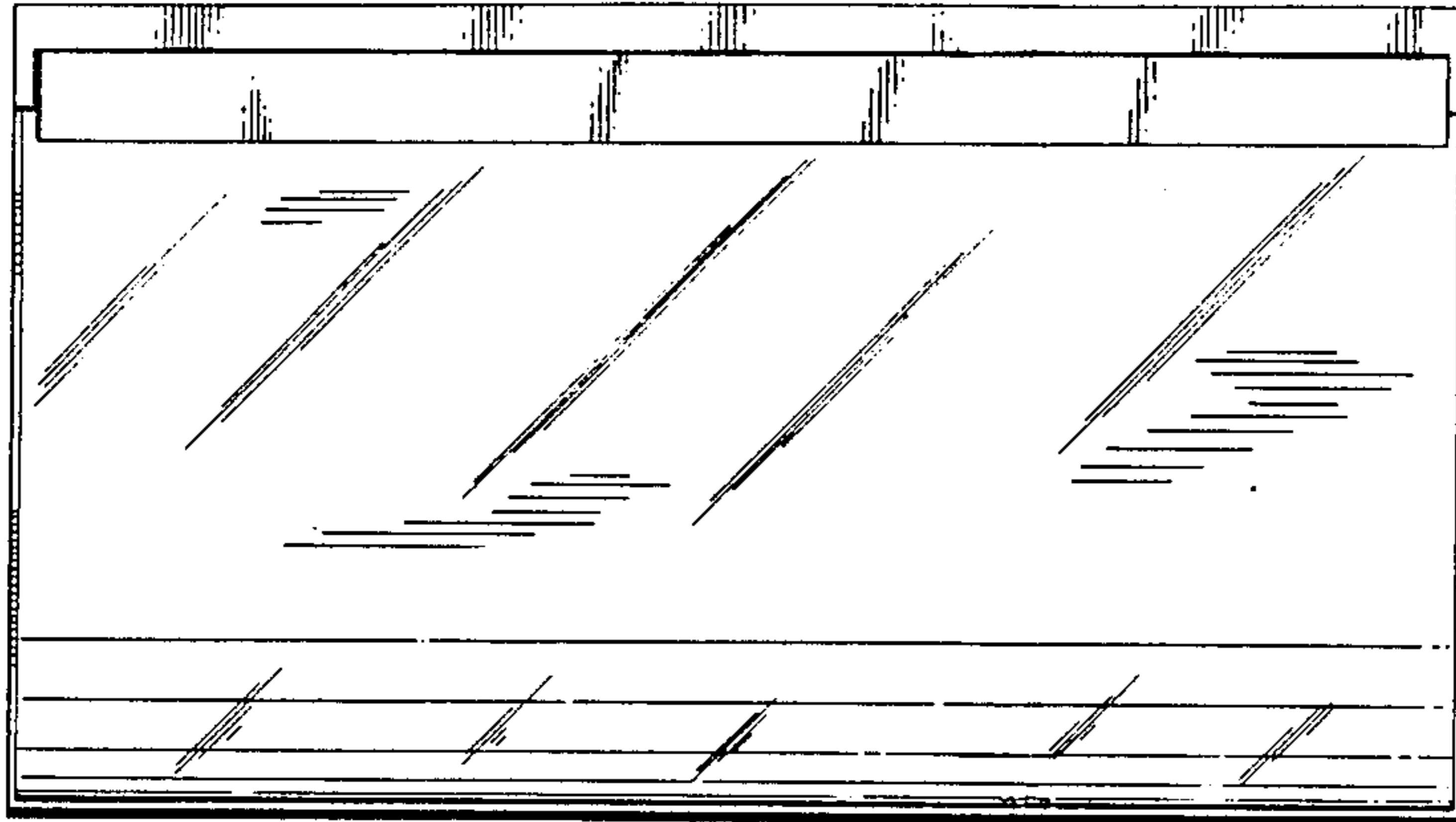


FIG. 3.

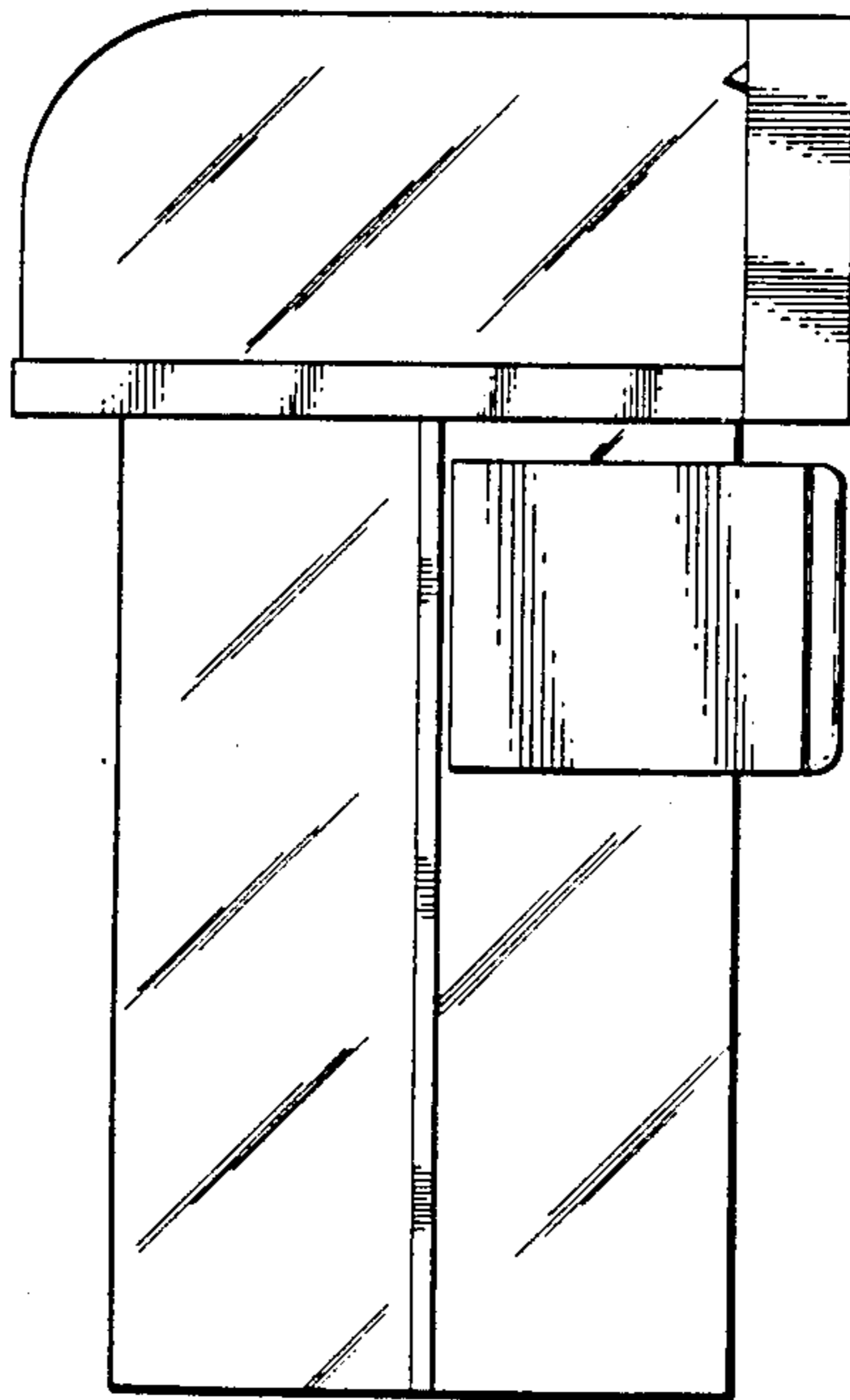


FIG. 4.

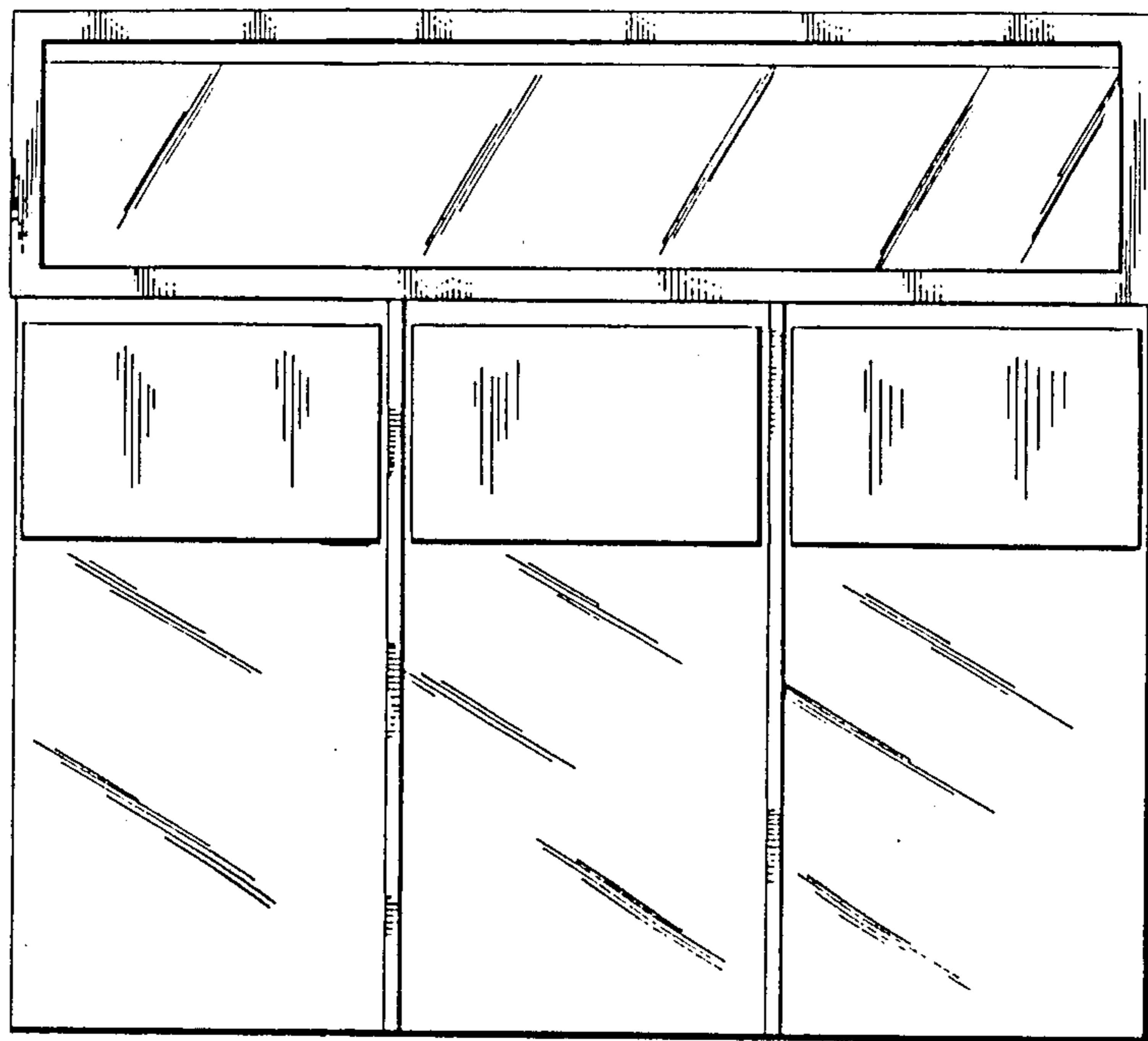


FIG. 5.

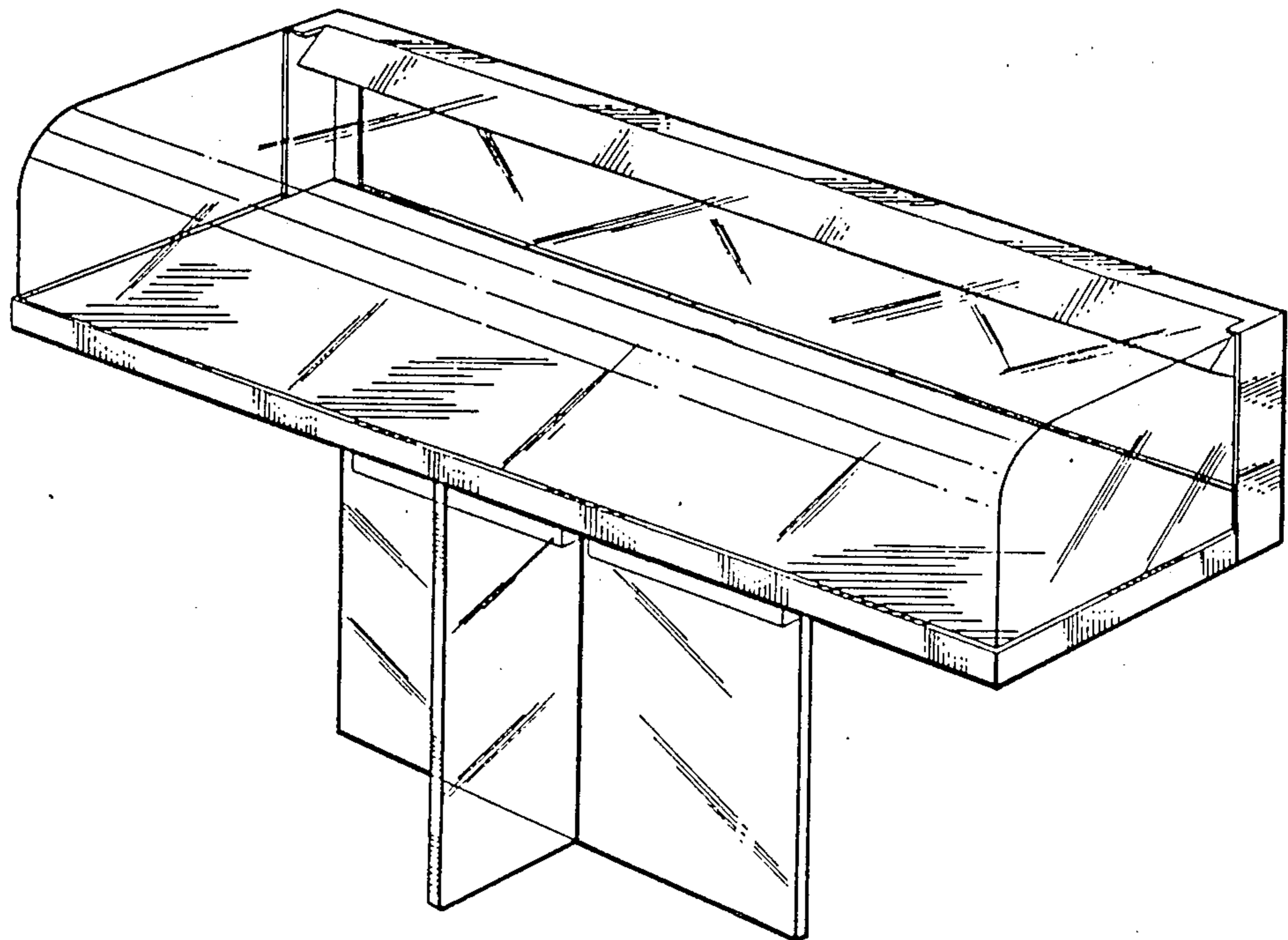


FIG. 6.