

[54] CHAIR

[75] Inventor: Stephen H. Kaminski, Newbury Park, Calif.

[73] Assignee: Samsonite Furniture Co., Murfreesboro, Tenn.

[\*\*] Term: 14 Years

[21] Appl. No.: 879,870

[22] Filed: Jun. 27, 1986

[52] U.S. Cl. .... D6/379; D6/380

[58] Field of Search ..... D6/334, 360, 361, 367, D6/368, 370, 371, 375, 379, 380; 297/441, 445

[56] References Cited

U.S. PATENT DOCUMENTS

D. 177,980	6/1956	Jakobsen	.....	D6/379
D. 259,078	5/1981	Deconinck	.....	D6/370
D. 280,473	9/1985	Parker	.....	D6/379
D. 288,635	3/1987	Vidal	.....	D6/379
D. 291,035	7/1987	Strousse et al.	.....	D6/380

Primary Examiner—Bruce W. Dunkins

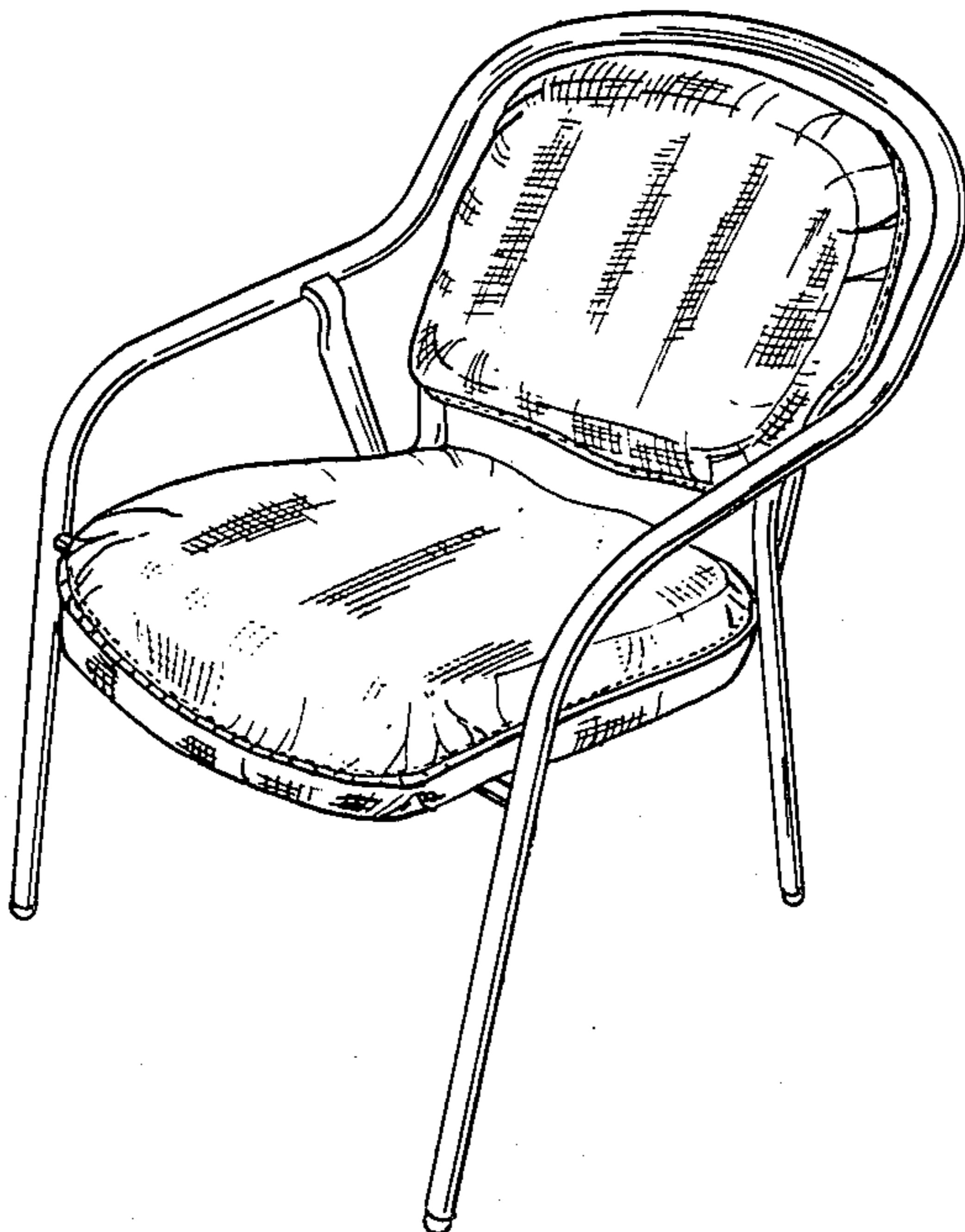
Attorney, Agent, or Firm—Gregory W. O'Connor

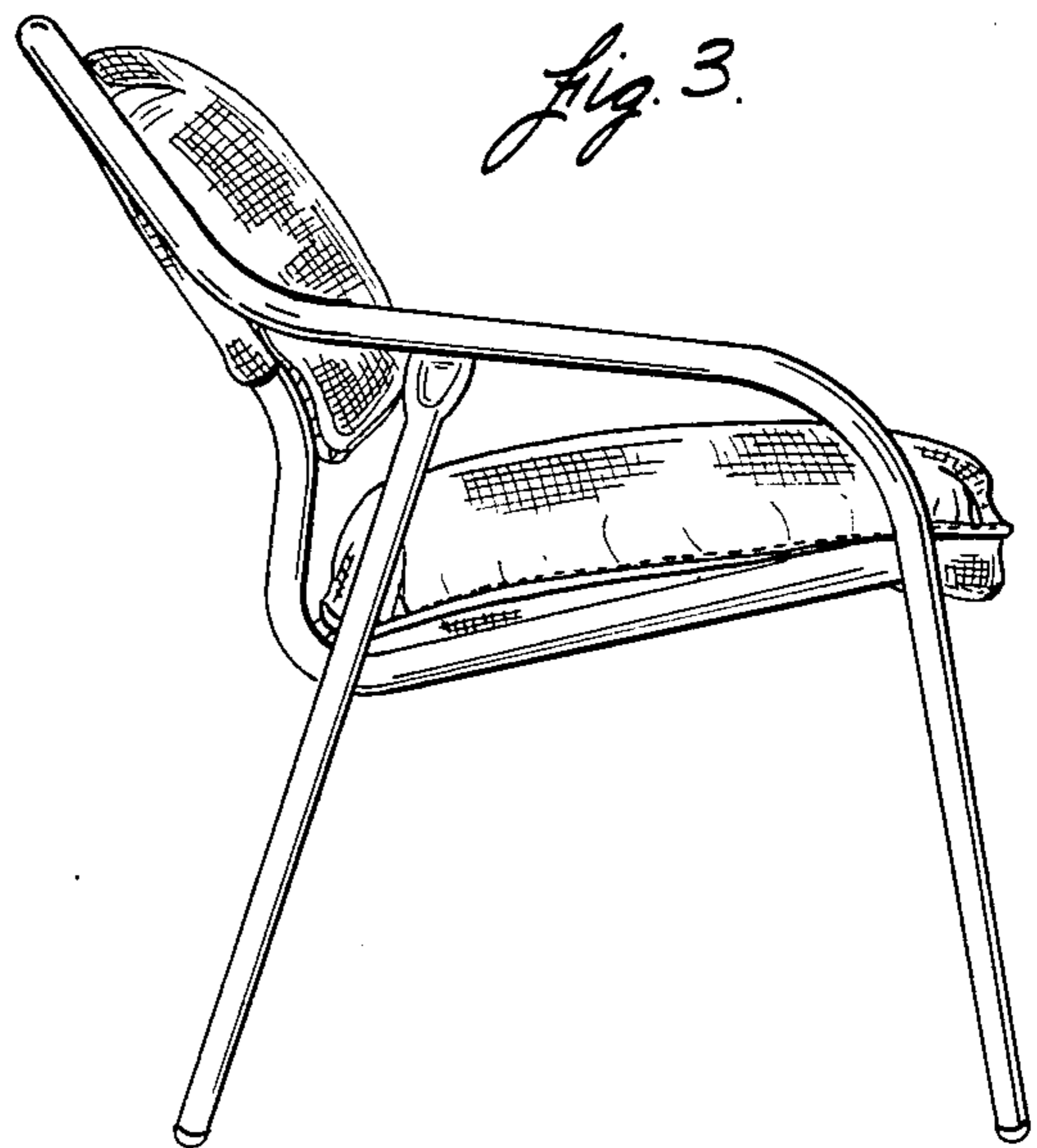
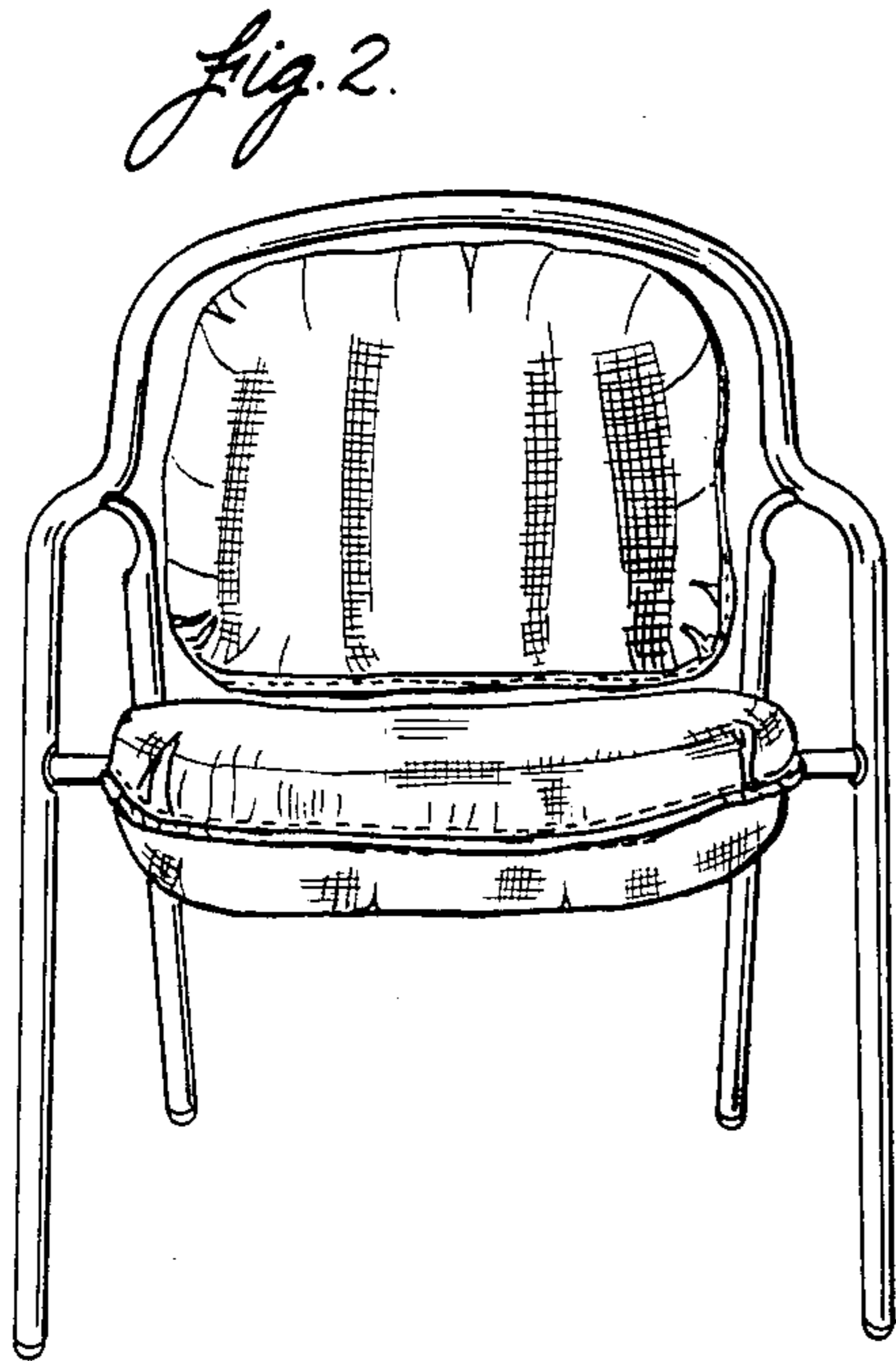
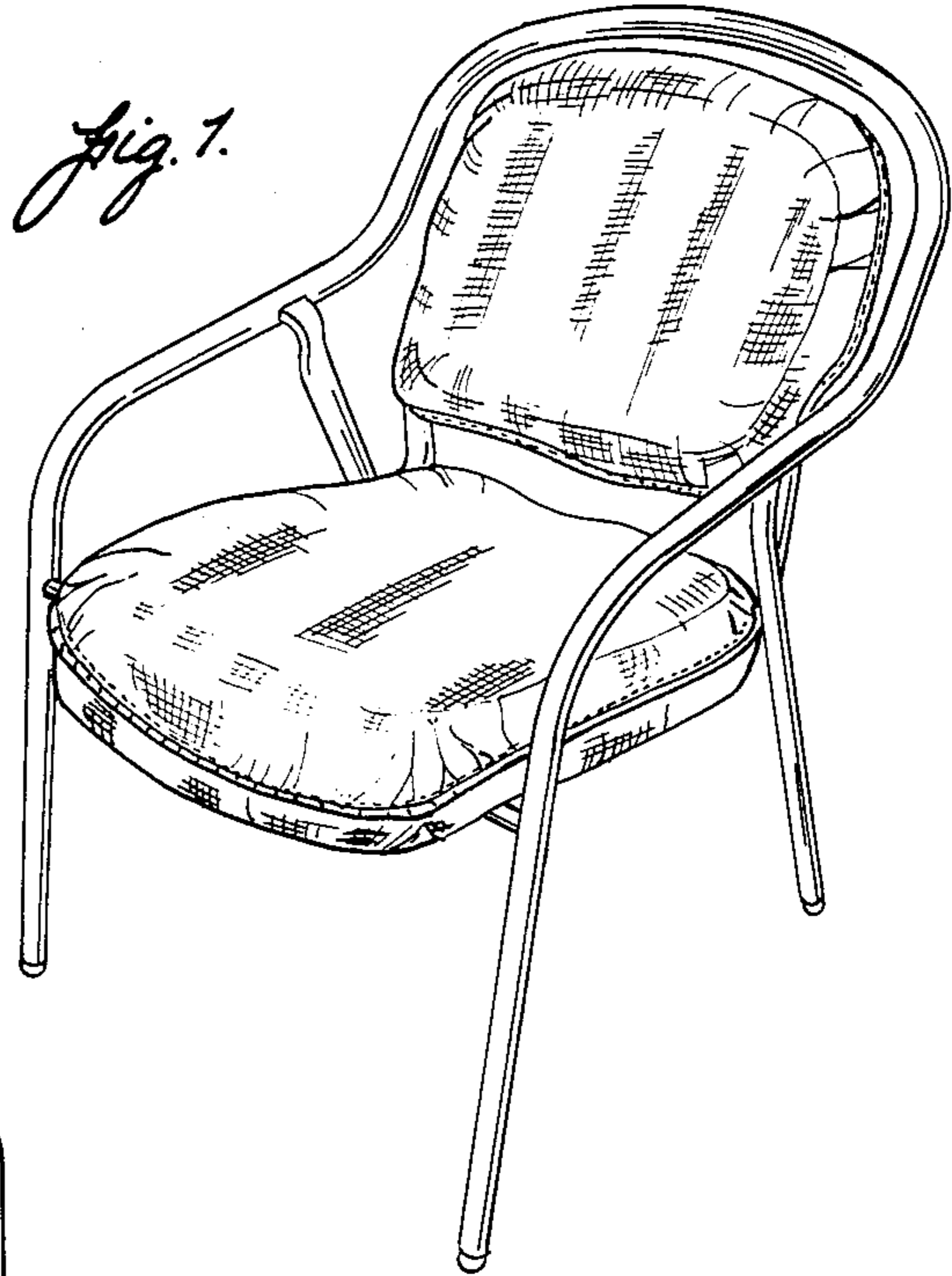
[57] CLAIM

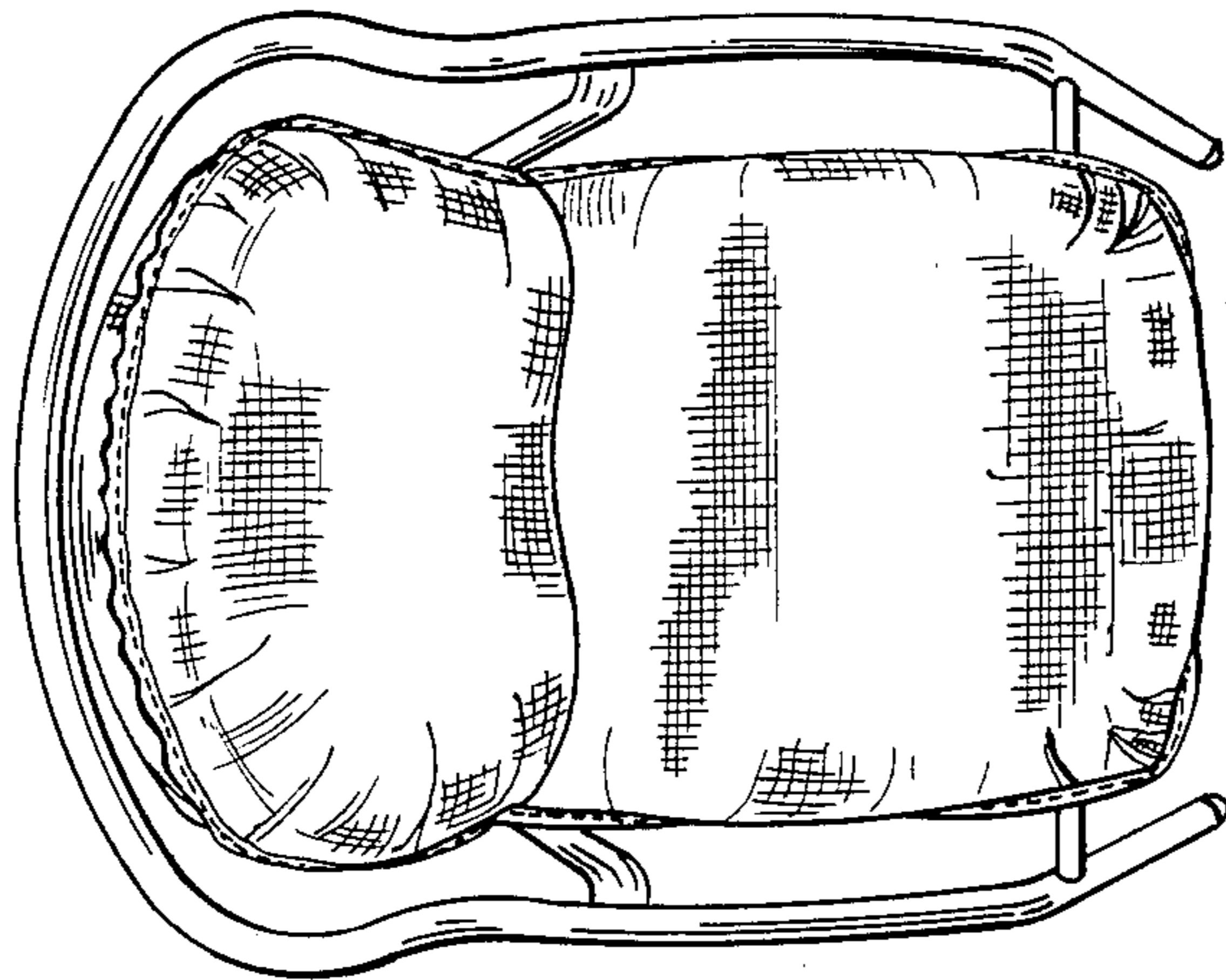
The ornamental design for a chair, as shown and described.

DESCRIPTION

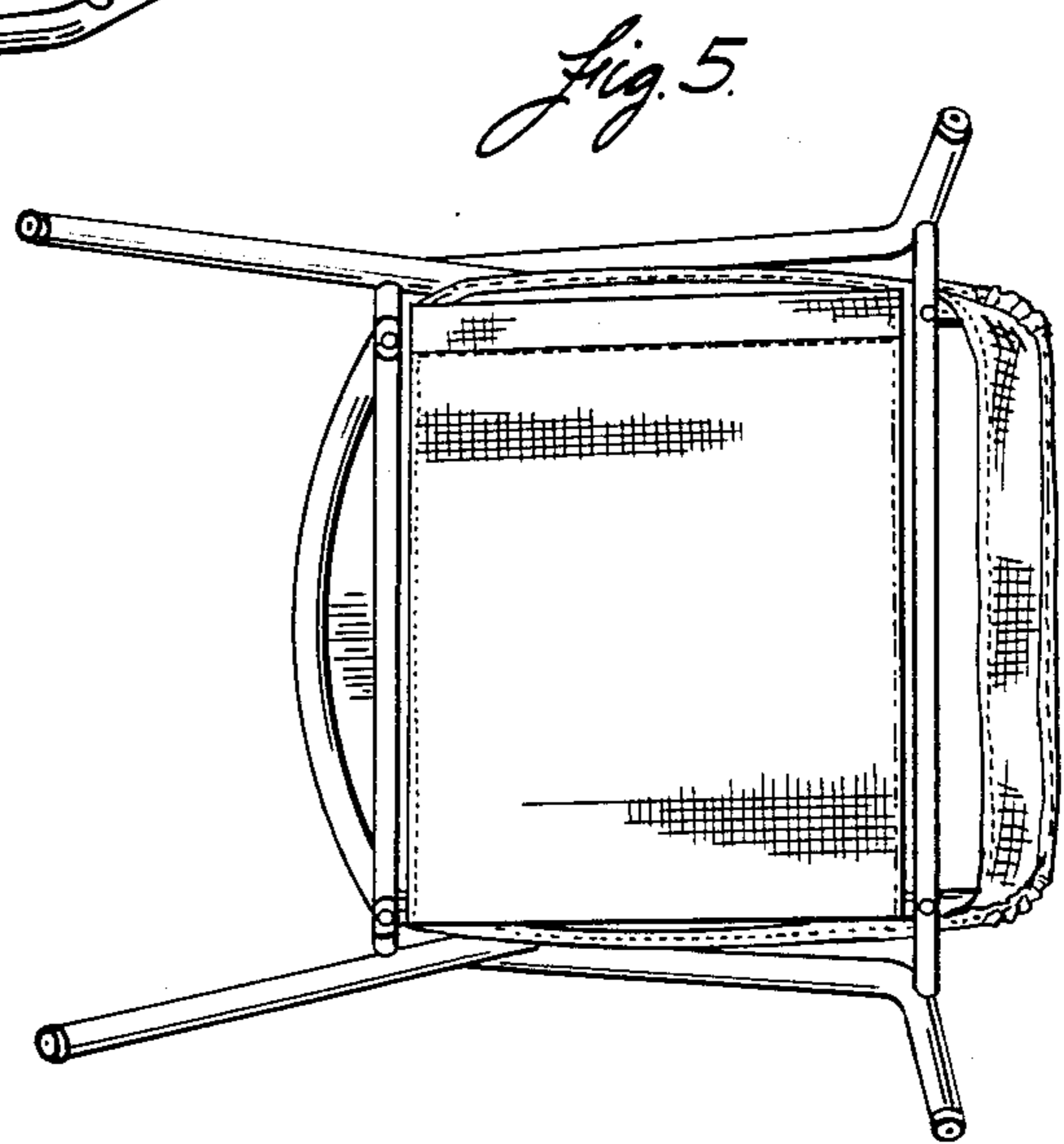
FIG. 1 is a perspective view of a chair showing my new design;  
 FIG. 2 is a front elevational view thereof;  
 FIG. 3 is a left side elevational view thereof, the opposite side being a mirror image thereof;  
 FIG. 4 is a top plan view thereof;  
 FIG. 5 is a bottom plan view thereof;  
 FIG. 6 is a rear elevational view thereof;  
 FIG. 7 is a front perspective view of a chair showing a second embodiment of my design;  
 FIG. 8 is a front elevational view of the second embodiment;  
 FIG. 9 is a left side elevational view of the second embodiment, the right side being a mirror image thereof;  
 FIG. 10 is a top plan view of the second embodiment;  
 FIG. 11 is a bottom plan view of the second embodiment; and  
 FIG. 12 is a rear elevational view thereof.





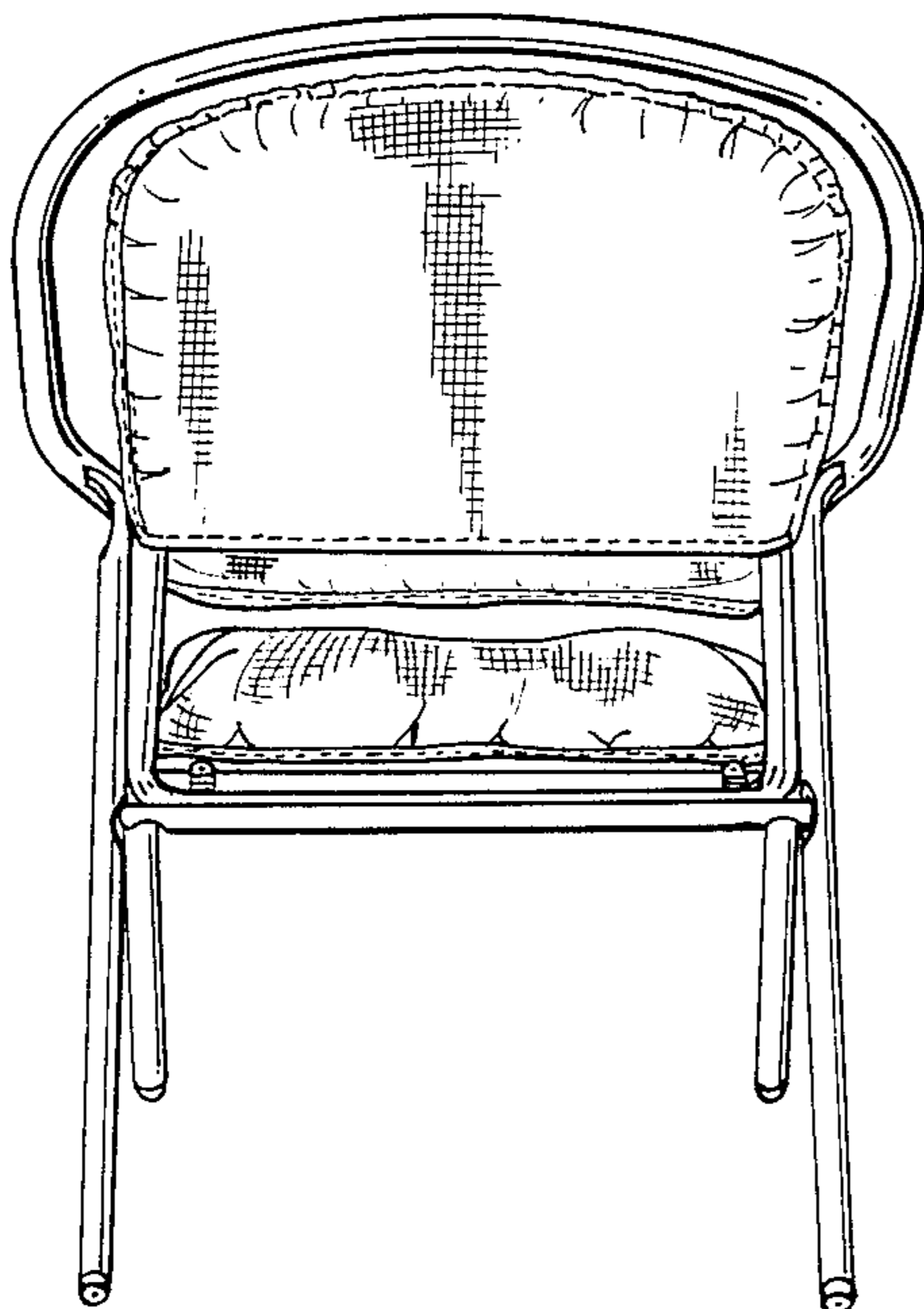


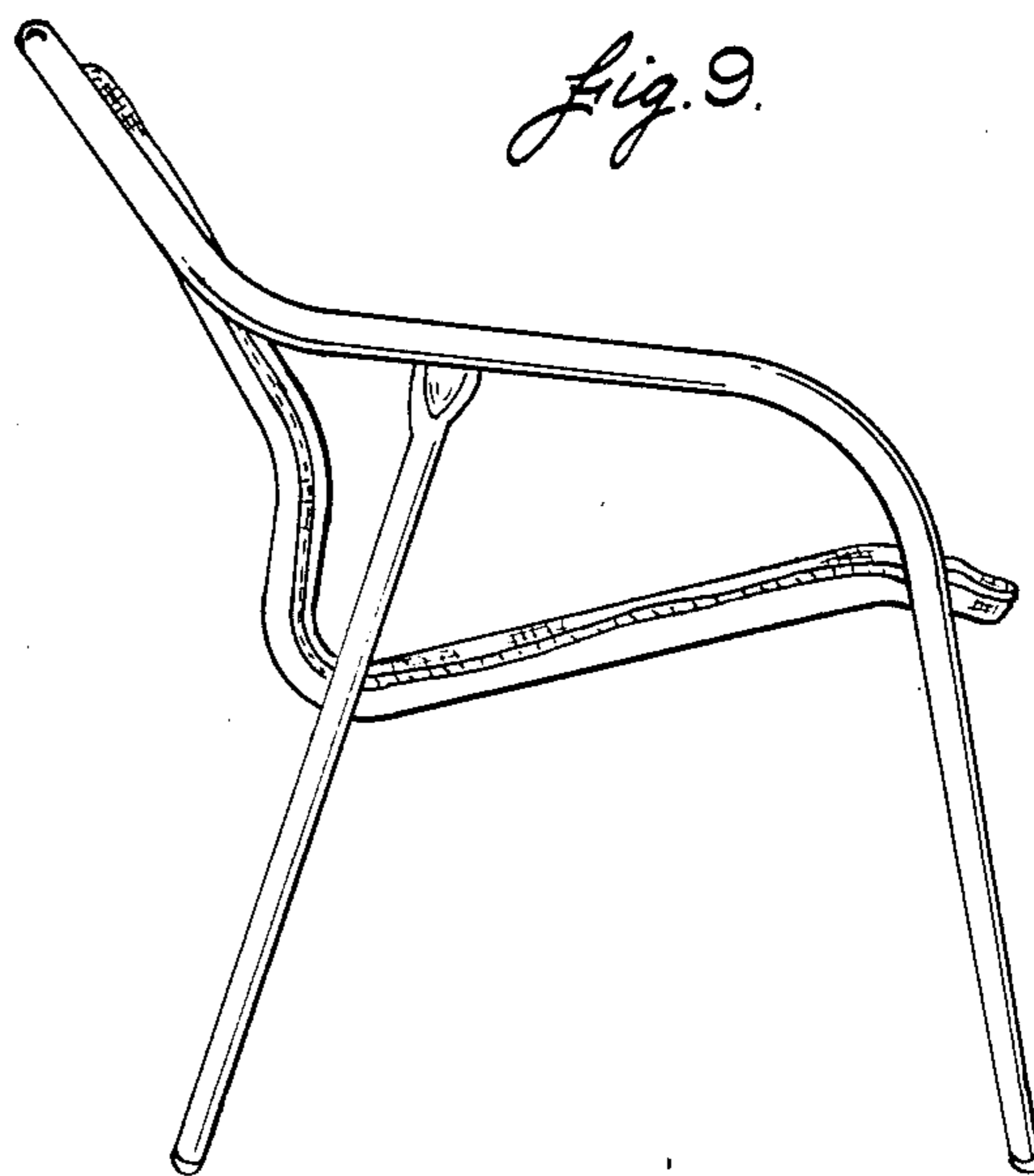
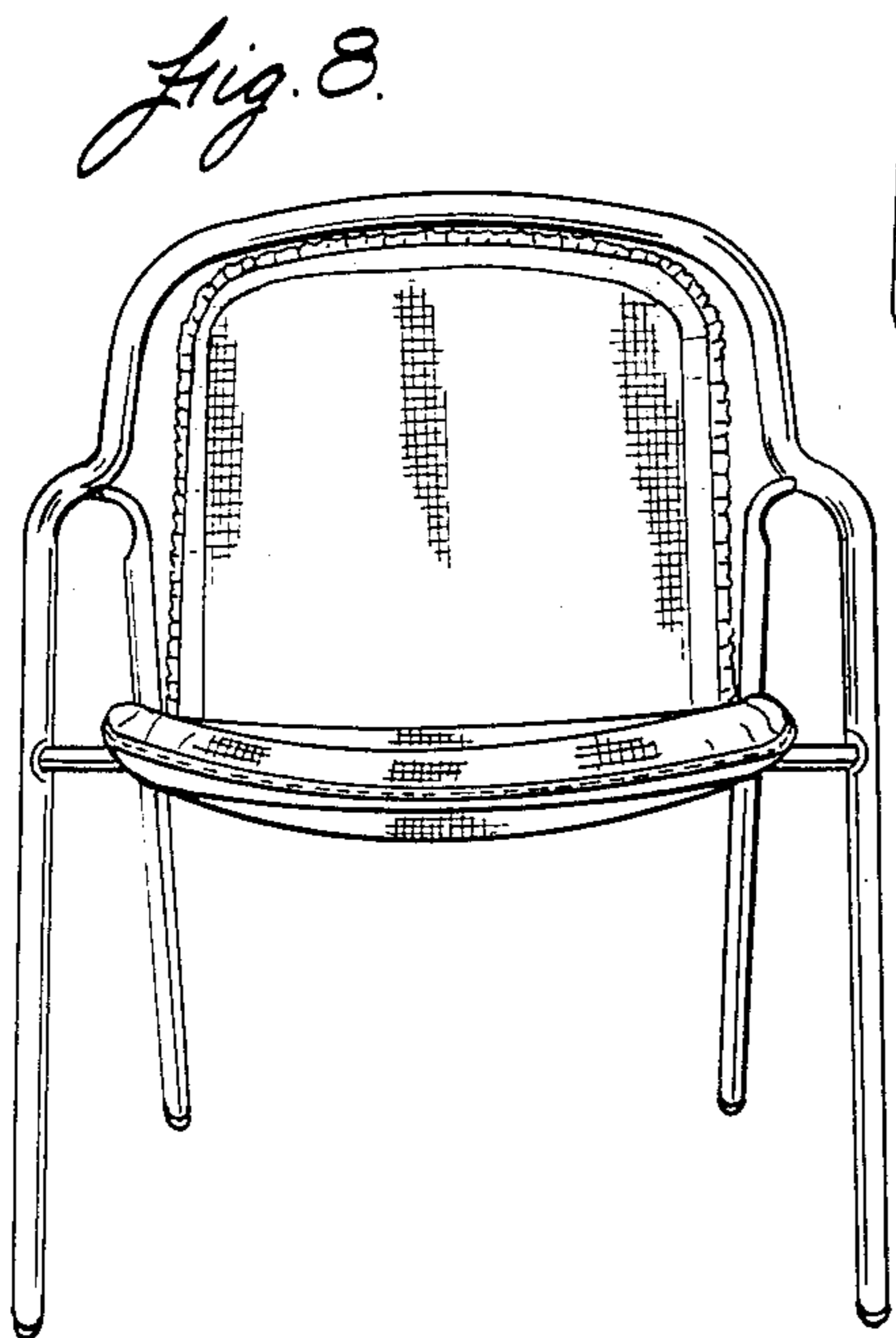
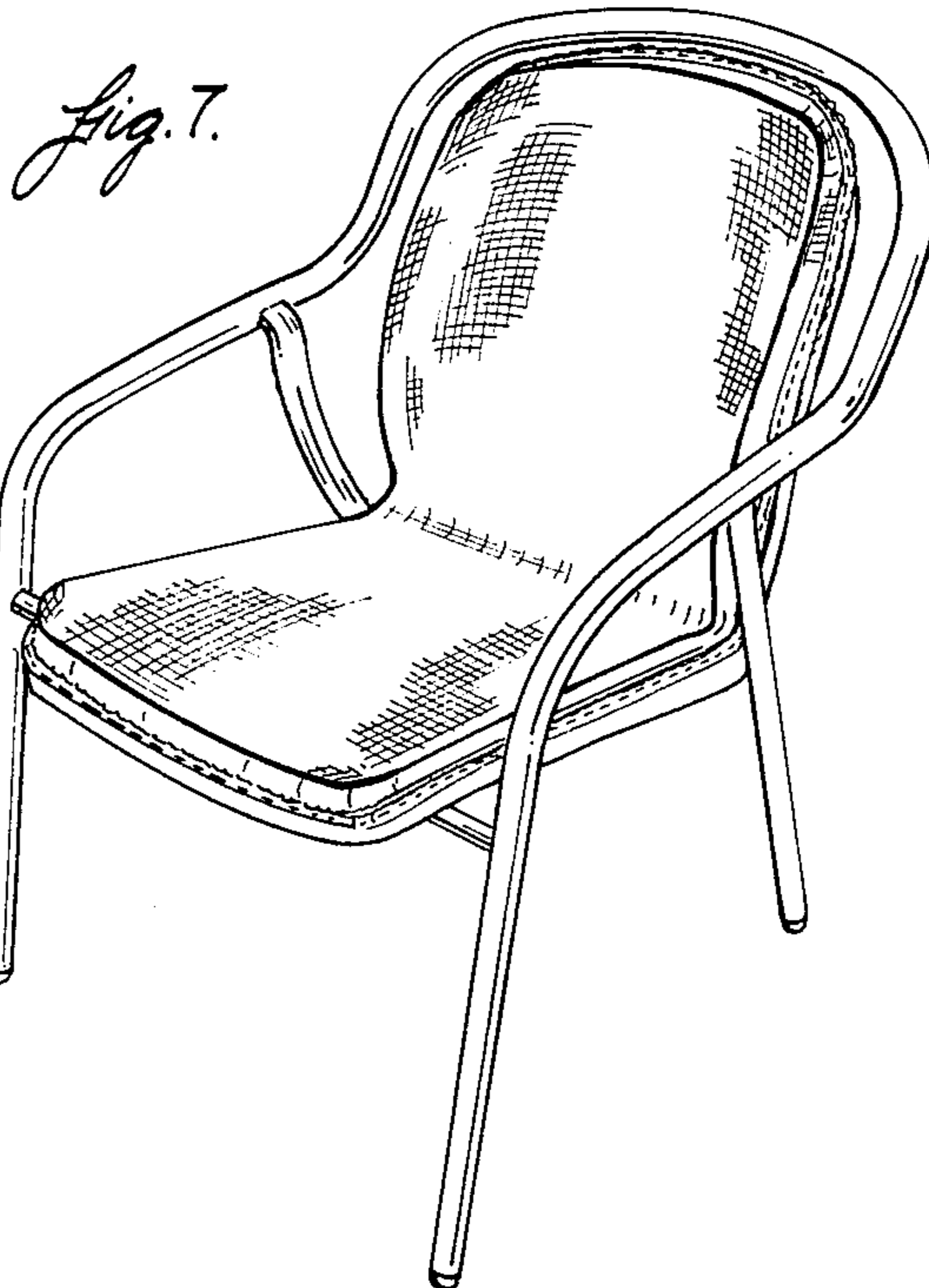
*Fig. 4.*

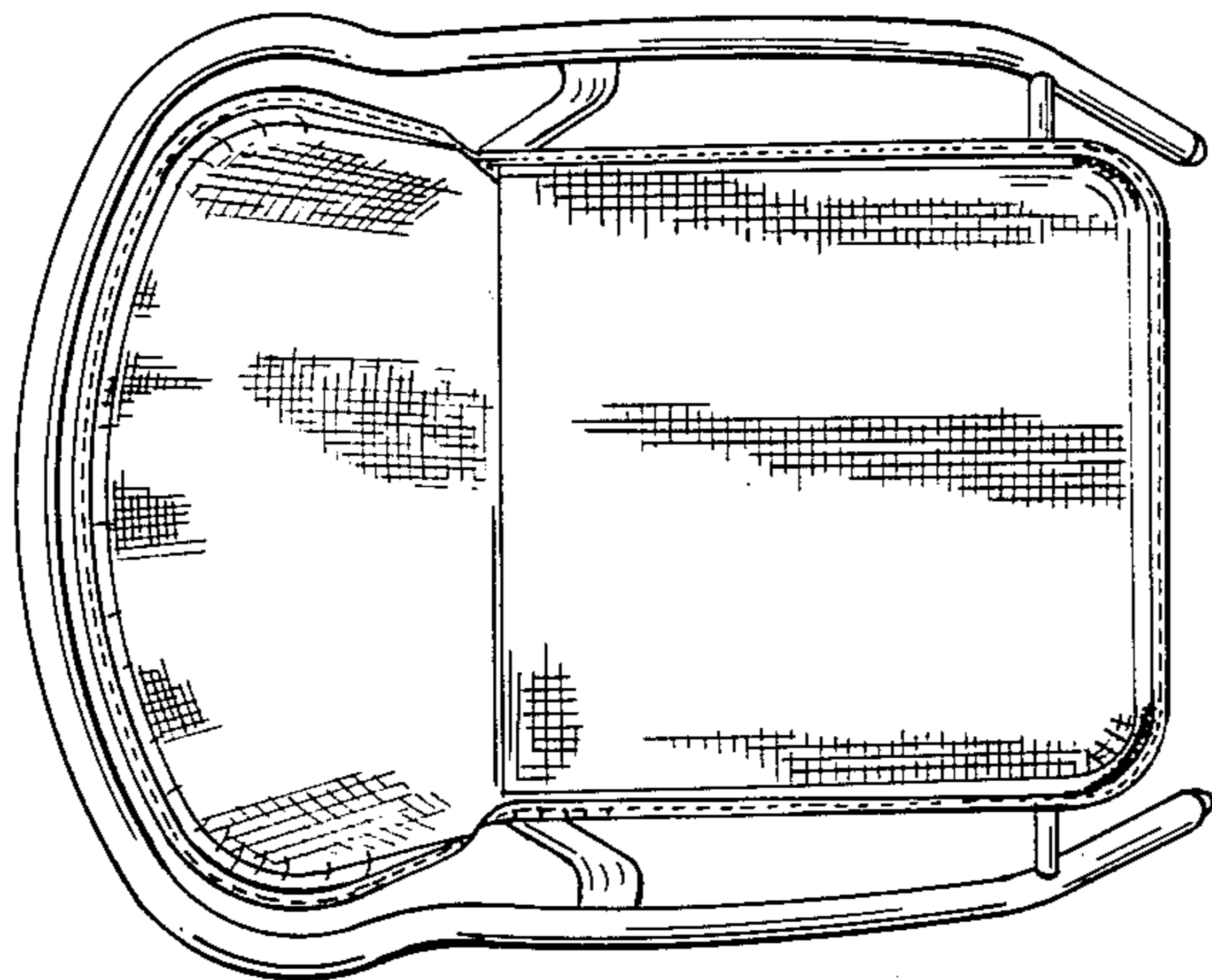


*Fig. 5.*

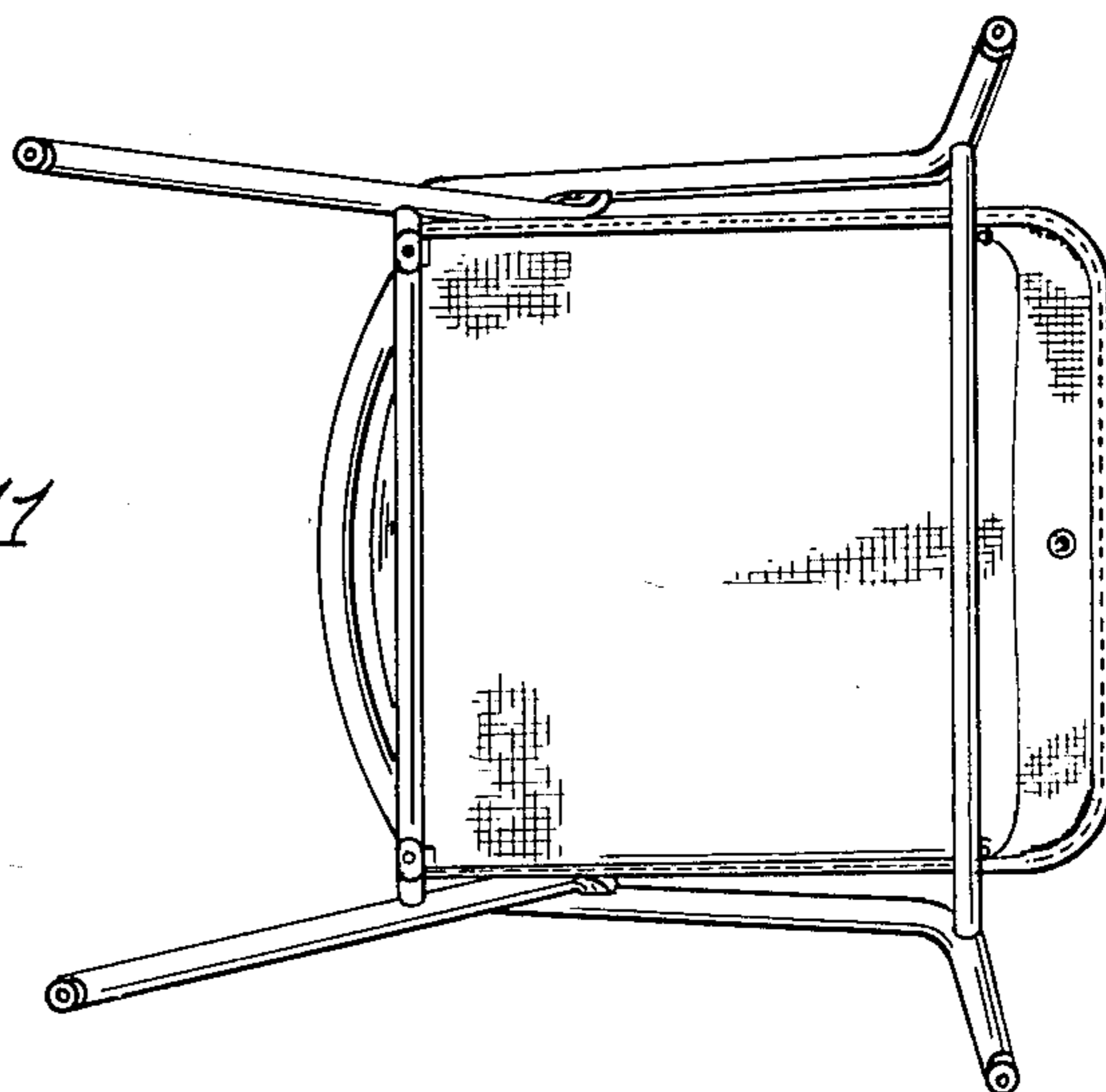
*Fig. 6.*



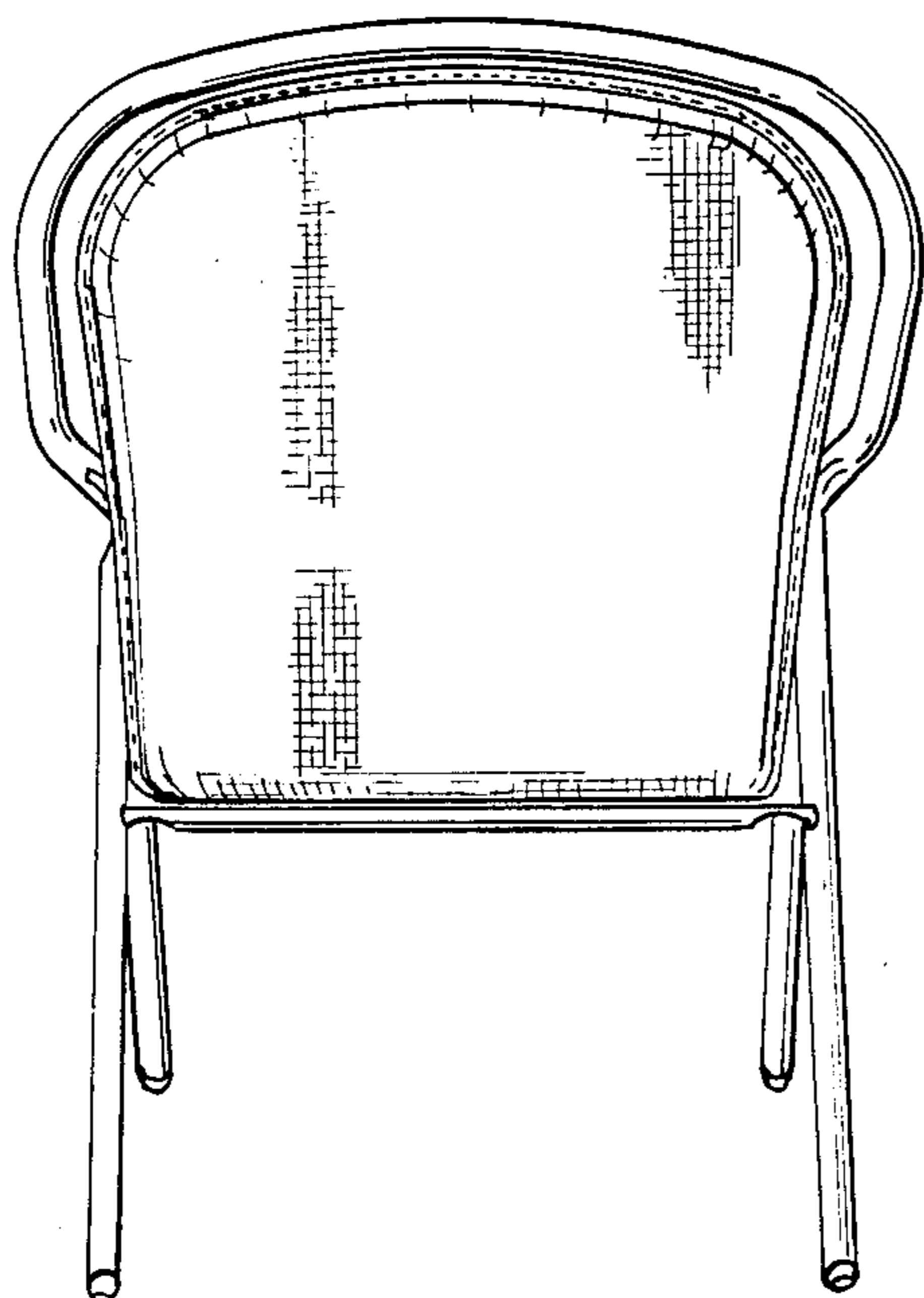




*Fig. 10.*



*Fig. 11*



*Fig. 12.*