

[54] MIRROR SUPPORTED ON A STAND OR SIMILAR ARTICLE

[56] References Cited

[76] Inventor: Humbert Arce, 920 Kline St., La Jolla, Calif. 92237

U.S. PATENT DOCUMENTS

896,658	8/1908	McGiehan	D6/302 X
1,190,619	7/1916	Armbruster	248/408 X
1,451,236	4/1923	Stanfield	350/615

Primary Examiner—Bernard Ansher
Assistant Examiner—Terry A. Pfeffer

[**] Term: 14 Years

[57] CLAIM

The ornamental design for a mirror supported on a stand or similar article, as shown and described.

[21] Appl. No.: 806,366

DESCRIPTION

[22] Filed: Nov. 25, 1985

FIG. 1 is a perspective view of a mirror supported on a stand or similar article showing my new design.

[52] U.S. Cl. D6/300

FIG. 2 is an enlarged right elevational view thereof.

[58] Field of Search D6/300-302,

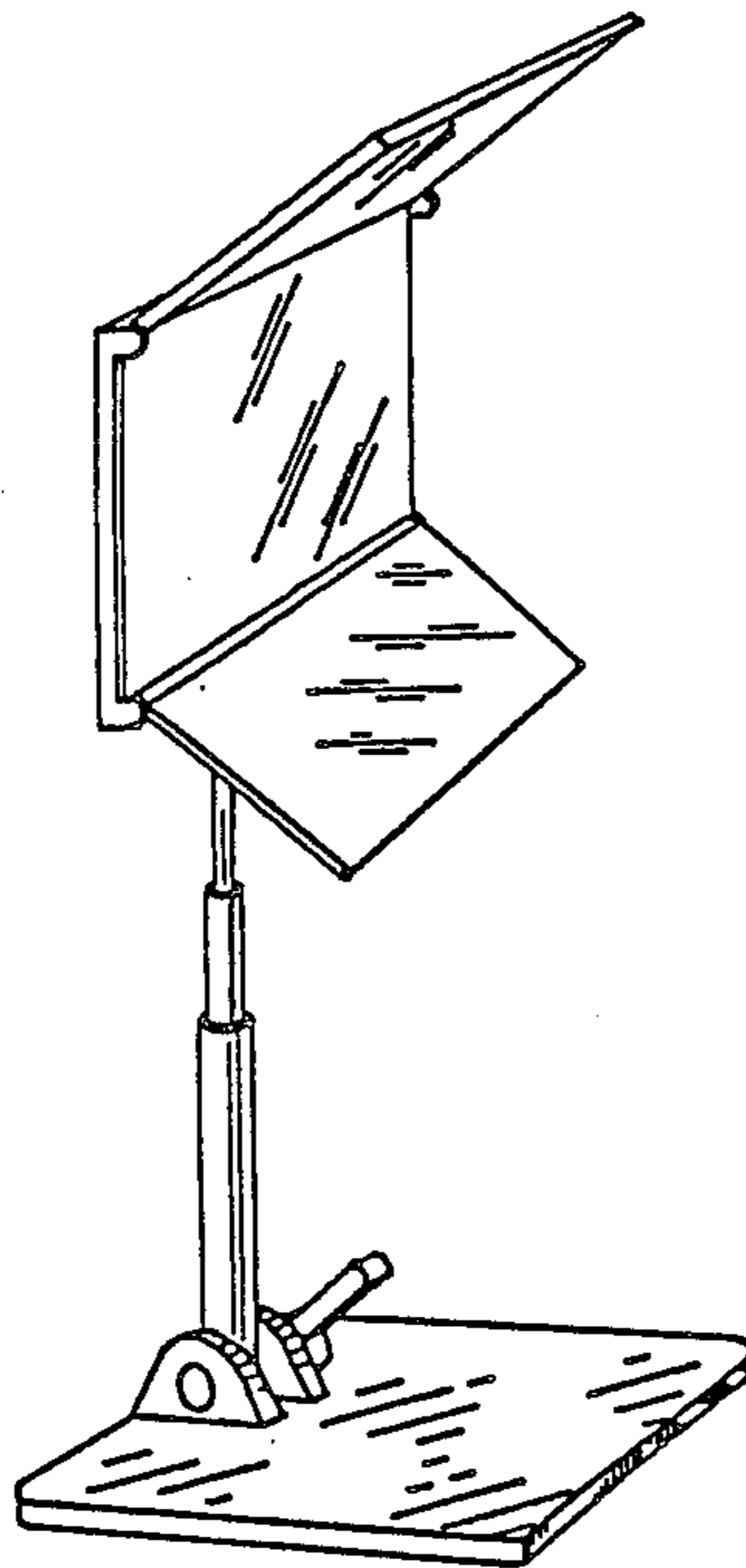
FIG. 3 is an enlarged front elevational view thereof.

D6/308-314; 350/600, 615, 639; 248/188.5, 407-409

FIG. 4 is an enlarged top plan view thereof;

FIG. 5 is an enlarged rear elevational view thereof;

FIG. 6 is an enlarged bottom plan view thereof.



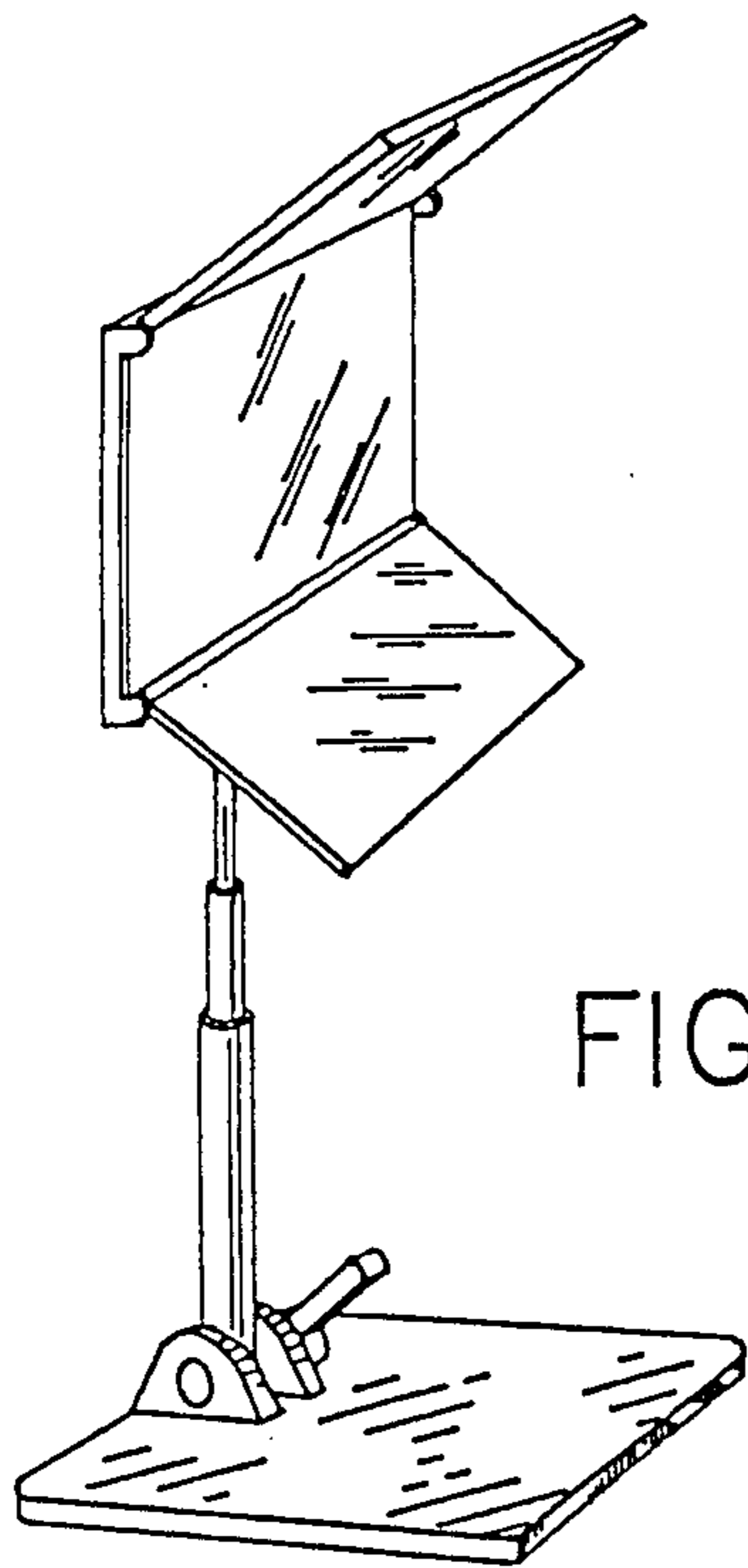


FIG. 1

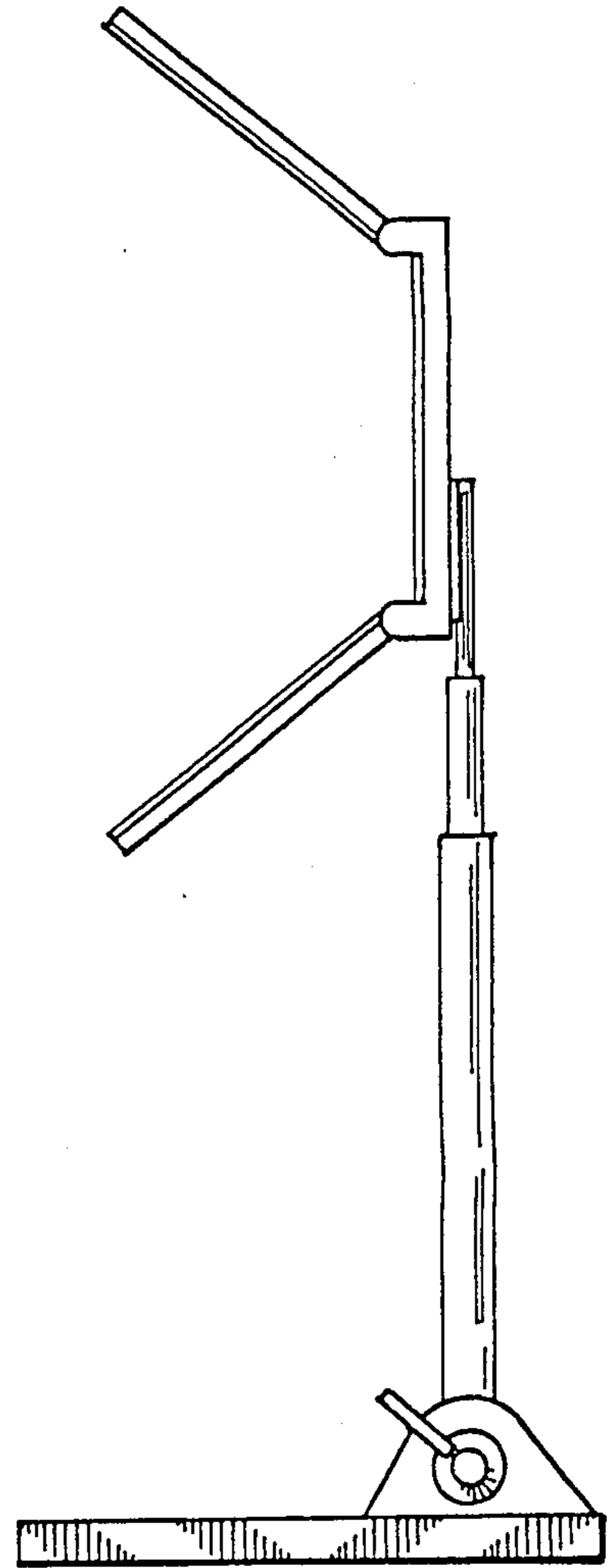


FIG. 2

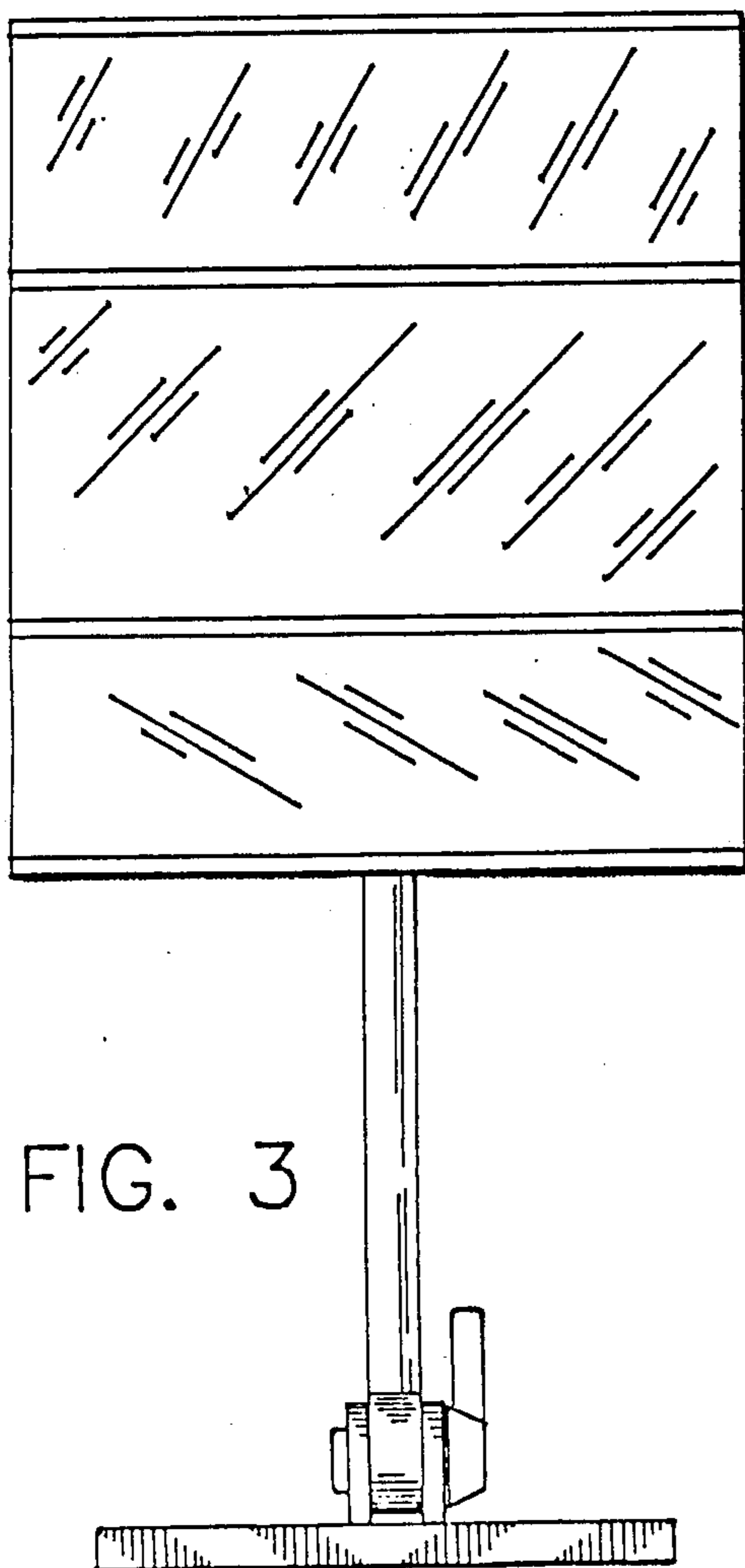


FIG. 3

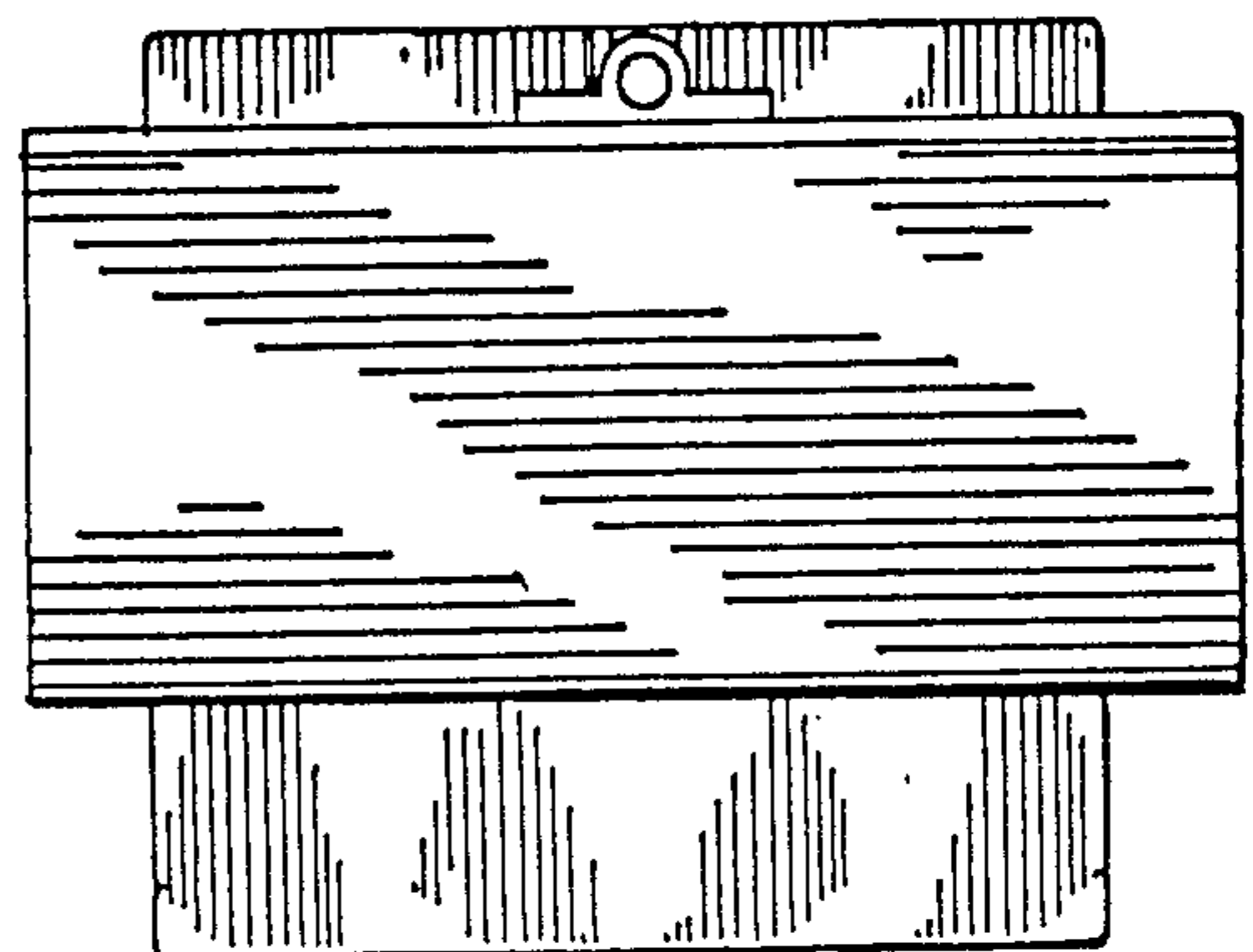


FIG. 4

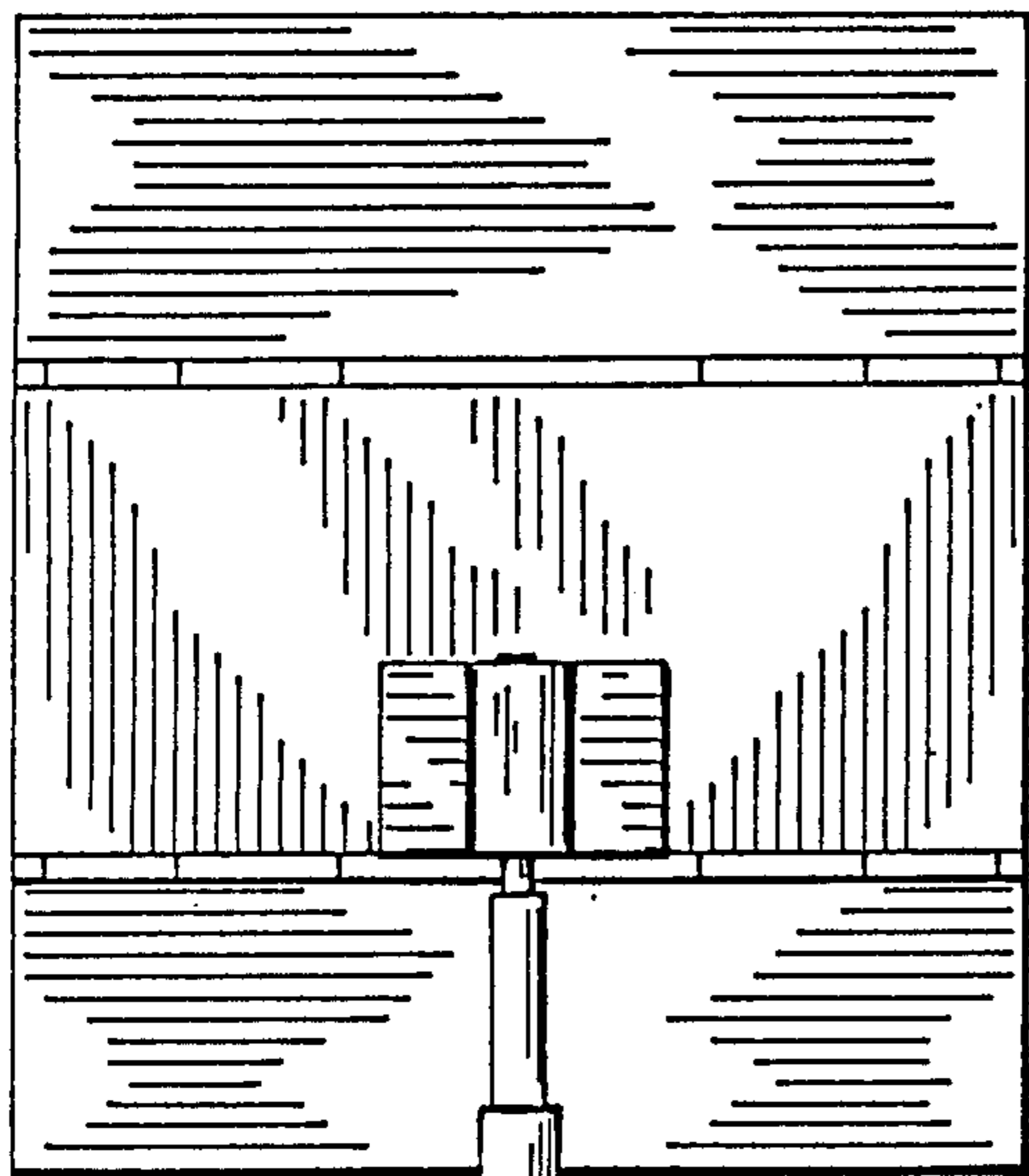


FIG. 5

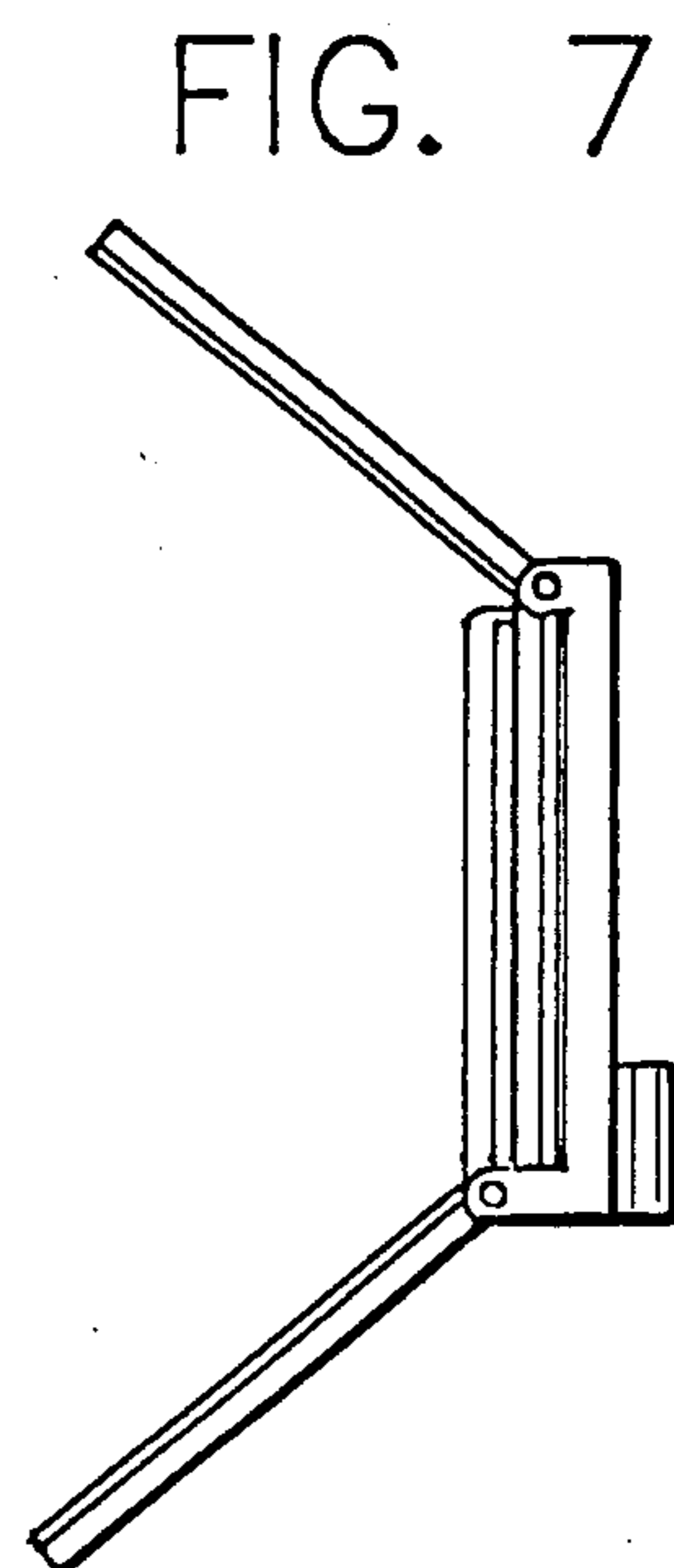


FIG. 7

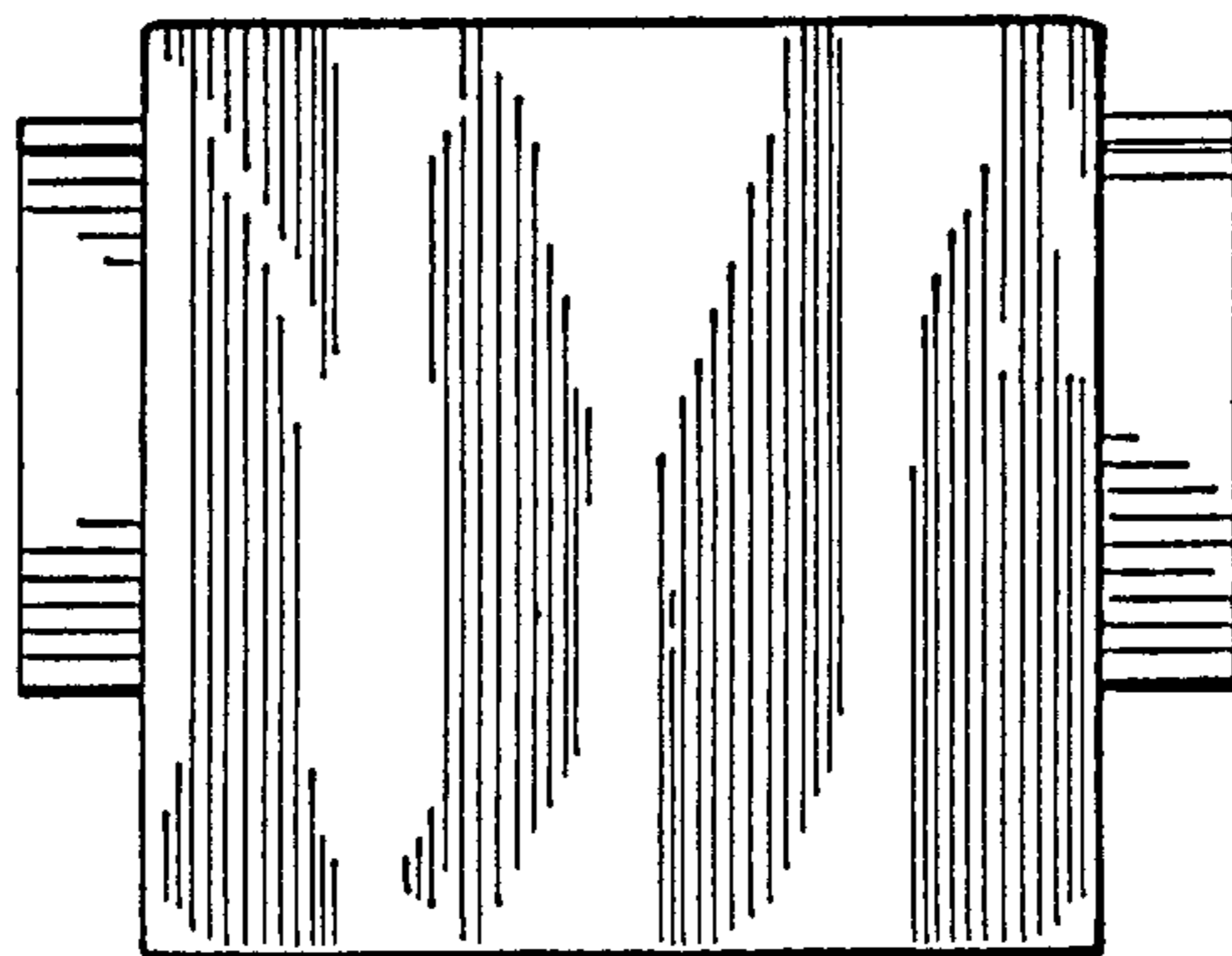


FIG. 6