

[54] **SKATE WHEEL CLEANER**

[76] **Inventor: Harry C. Dollar, Jr., 605 S. Third St.,
Mebane, N.C. 27302**

[**] **Term: 14 Years**

[21] **Appl. No.: 823,443**

[22] **Filed: Dec. 17, 1985**

[52] **U.S. Cl. D4/129; D4/127;
D21/224**

[58] **Field of Search 15/159, 160, 383, 386;
D4/138, 127, 130, 129; D21/226; 301/5.3**

[56] **References Cited**

U.S. PATENT DOCUMENTS

D. 187,128	2/1960	Tracy	D4/127
D. 262,672	1/1982	Chase et al.	D4/127
D. 278,390	4/1985	Bailey	D4/138

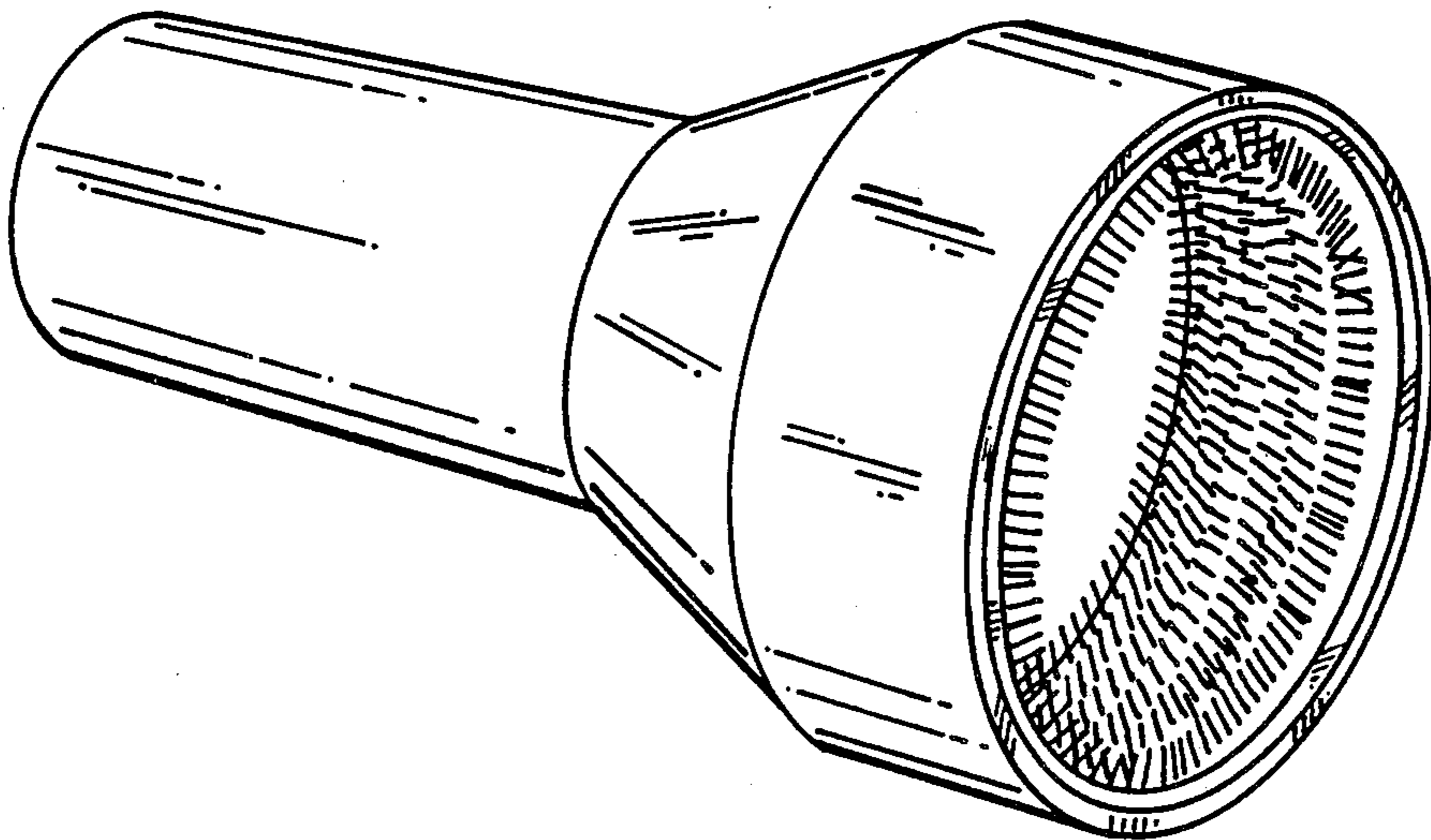
Primary Examiner—Charles A. Rademaker

[57] **CLAIM**

The ornamental design for a skate wheel cleaner, as shown and described.

DESCRIPTION

FIG. 1 is a right end elevational view of a skate wheel cleaner showing my new design;
FIG. 2 is a left end elevational view thereof;
FIG. 3 is a side elevational view thereof, the side opposite being a mirror image; and
FIG. 4 is a front perspective view thereof.



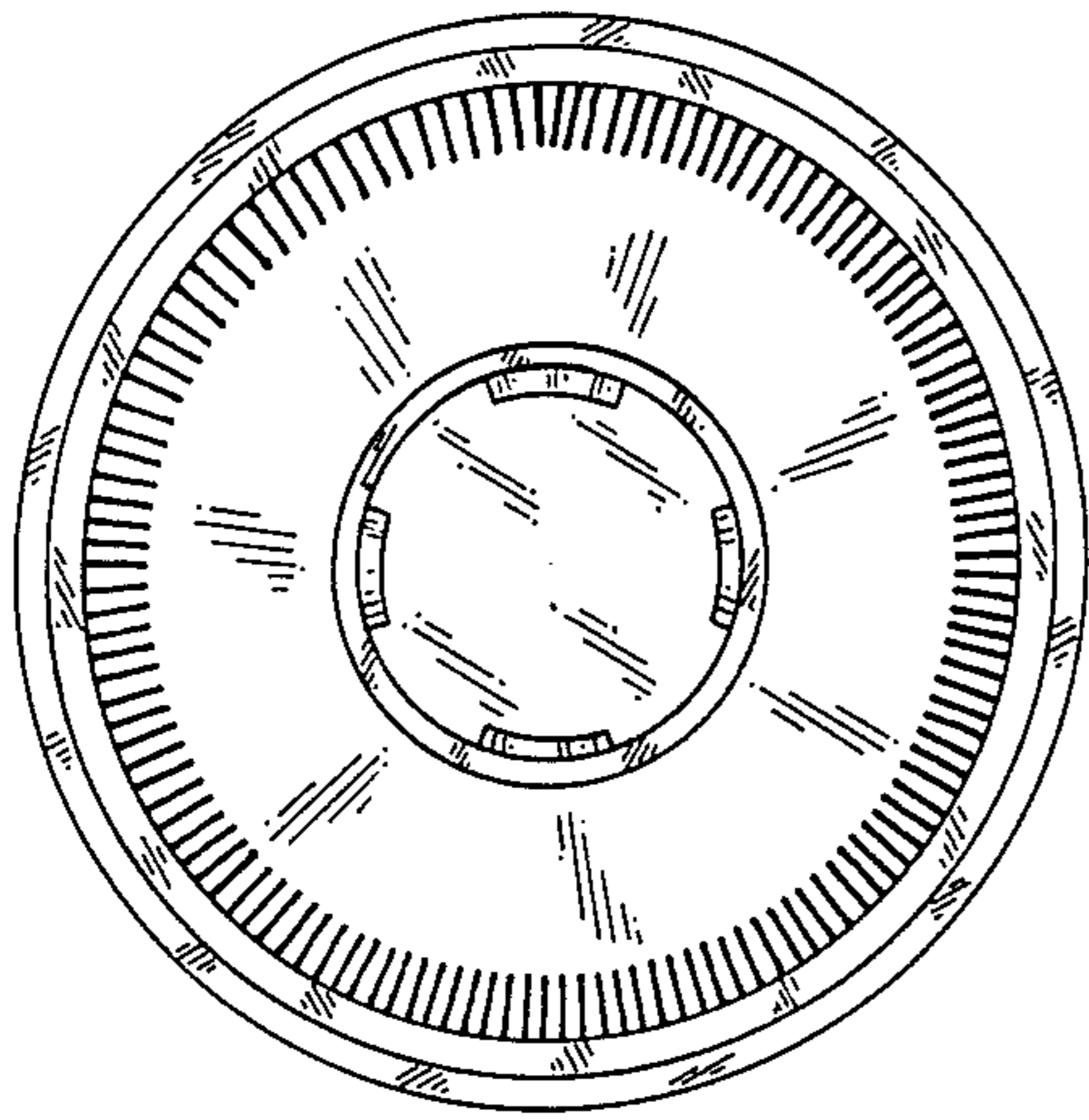


FIG. 1

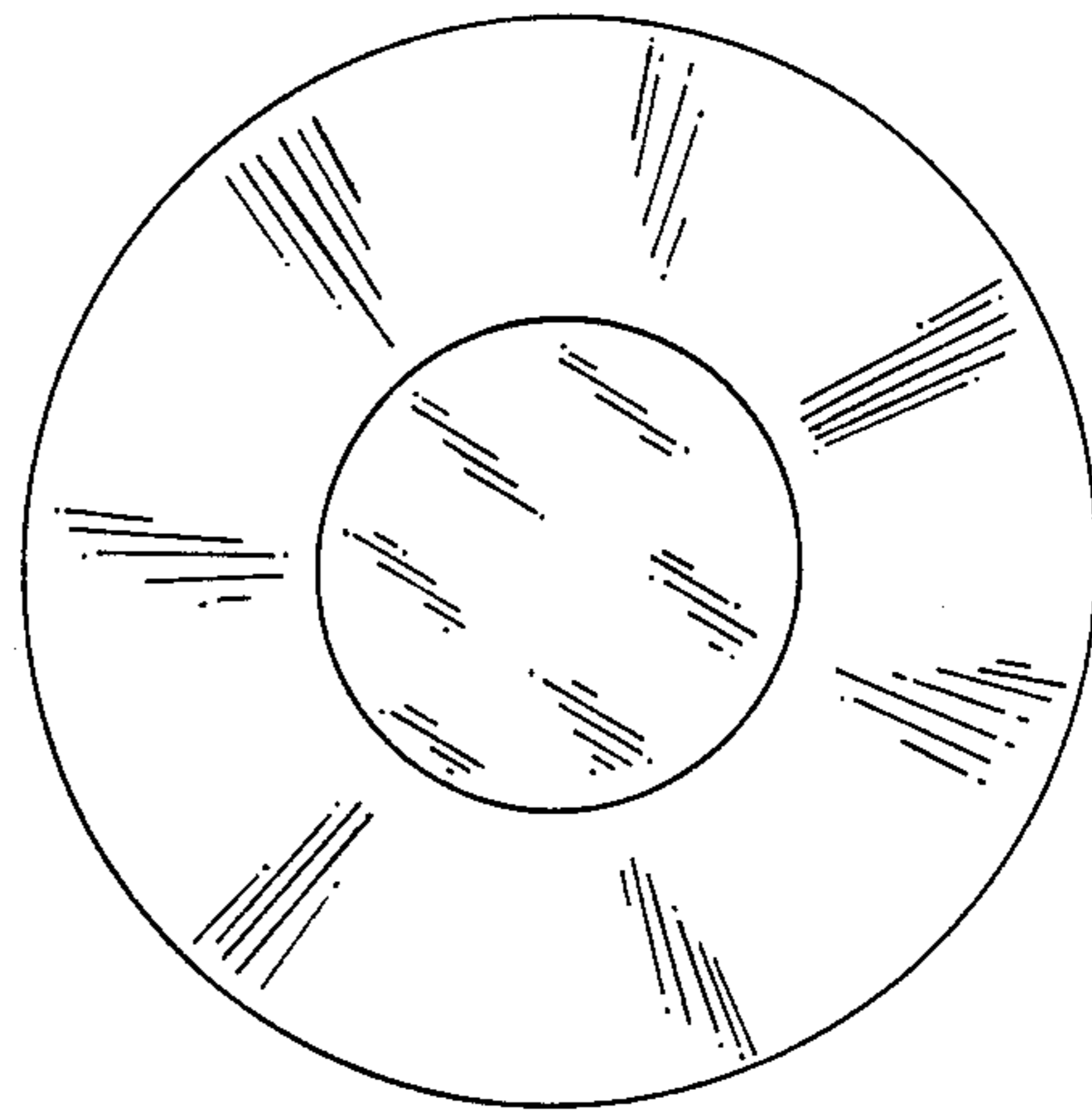


FIG. 2

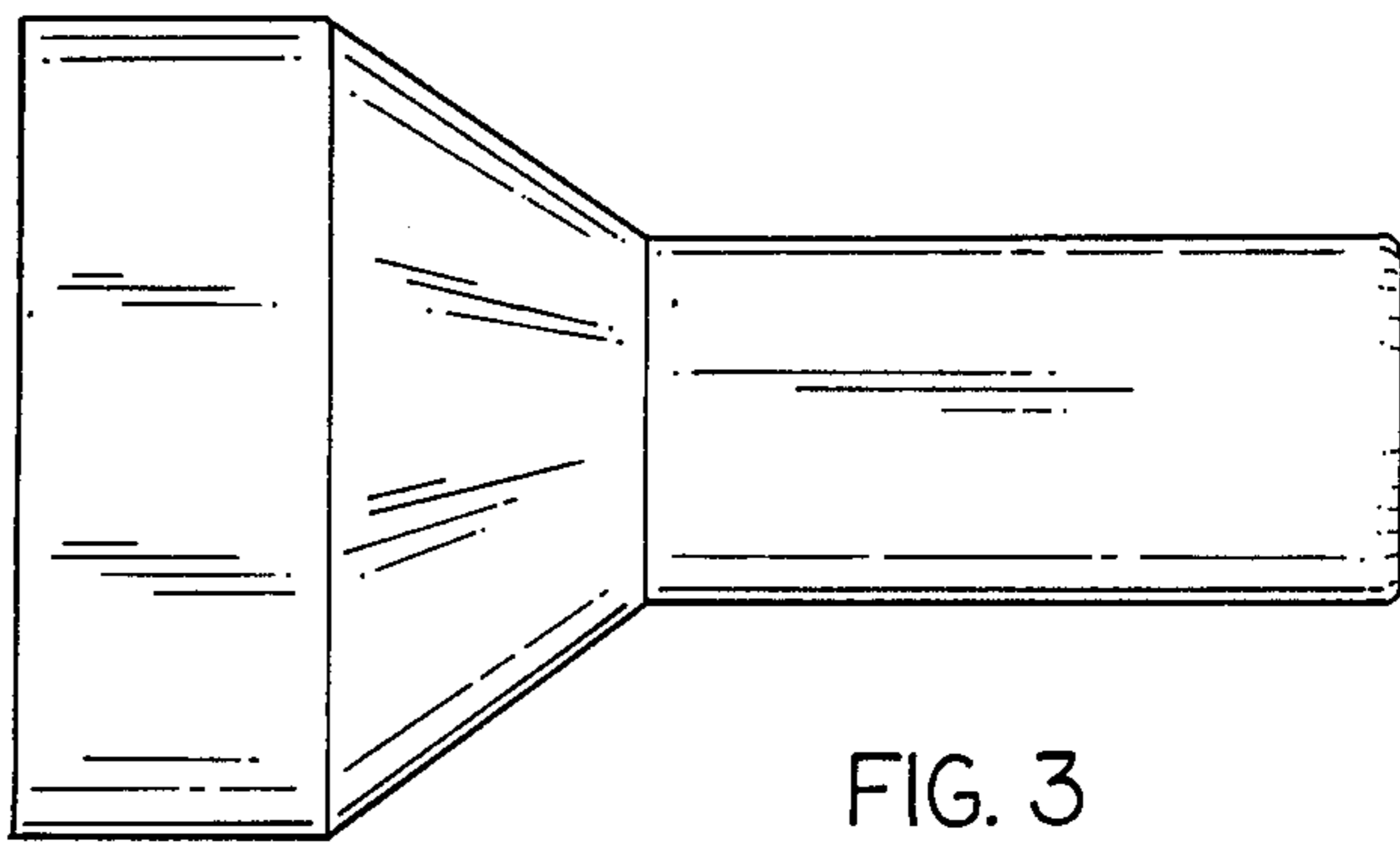


FIG. 3

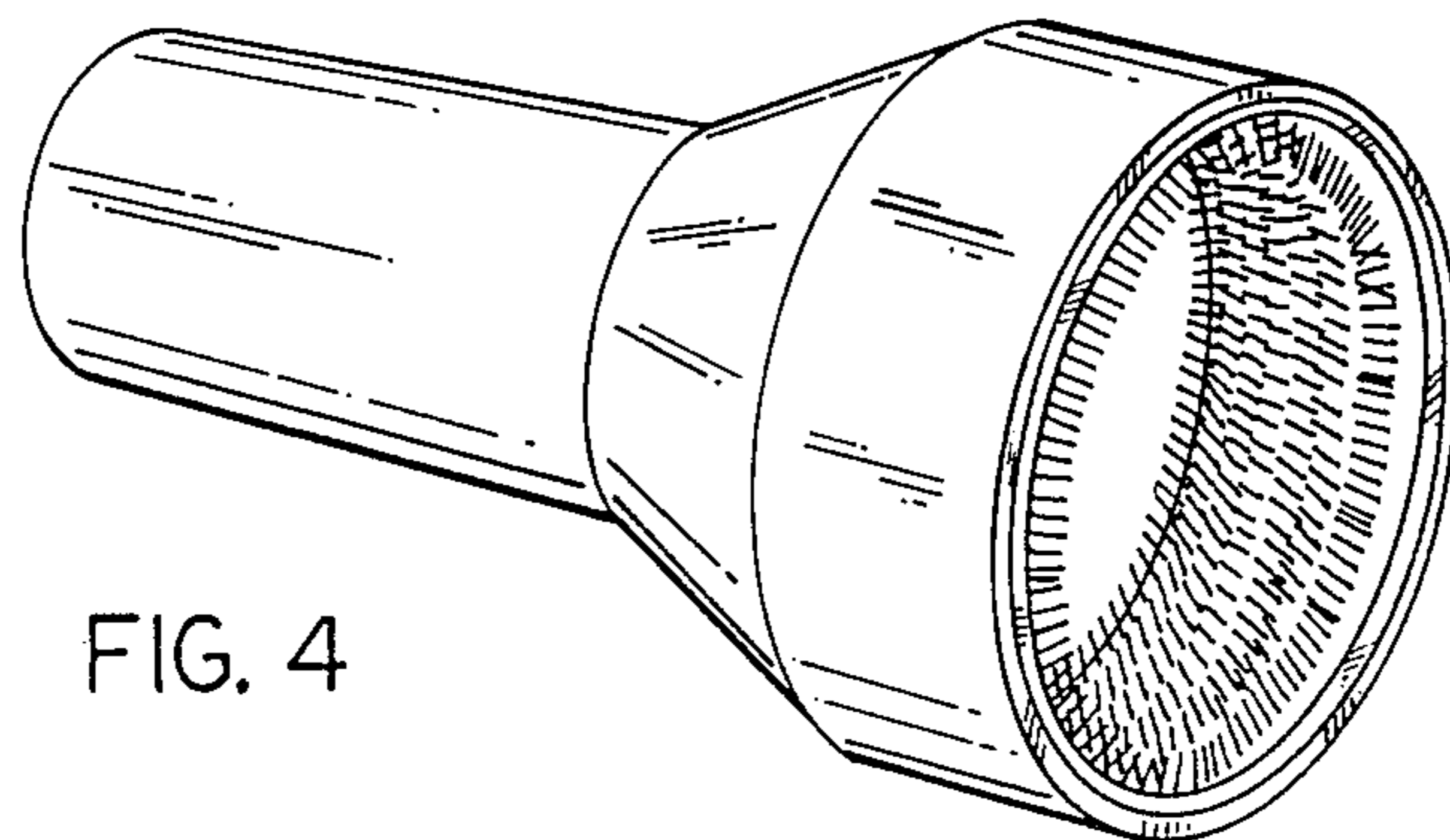


FIG. 4