

[54] ORGANIZER TRAY FOR PLUMBERS

[76] Inventors: Richard W. Chatham, P.O. Box 14361, Greensboro, N.C. 27415-4361; Charles G. Setliff, Rte. 1, Box 681-B, Pelham, N.C. 27311

[**] Term: 14 Years

[21] Appl. No.: 782,070

[22] Filed: Sep. 30, 1985

[52] U.S. Cl. D34/46

[58] Field of Search D34/44, 45, 46; D9/341, D9/347; D7/38; D3/30.1, 105; 206/557, 561; D24/31; 220/20

[56] References Cited

U.S. PATENT DOCUMENTS

D. 53,107	3/1919	Sommer	D34/46
D. 153,277	4/1949	Gerber	D34/45
D. 168,277	11/1952	Roberts	D34/44
D. 213,425	3/1969	Hirota	D34/45
D. 213,522	10/1971	Zipf	D34/46
D. 265,941	8/1982	Allison et al.	D34/45 X
D. 270,867	10/1983	Keohan	D34/44
D. 281,929	12/1985	Strobel et al.	D34/45 X

Primary Examiner—Bruce W. Dunkins

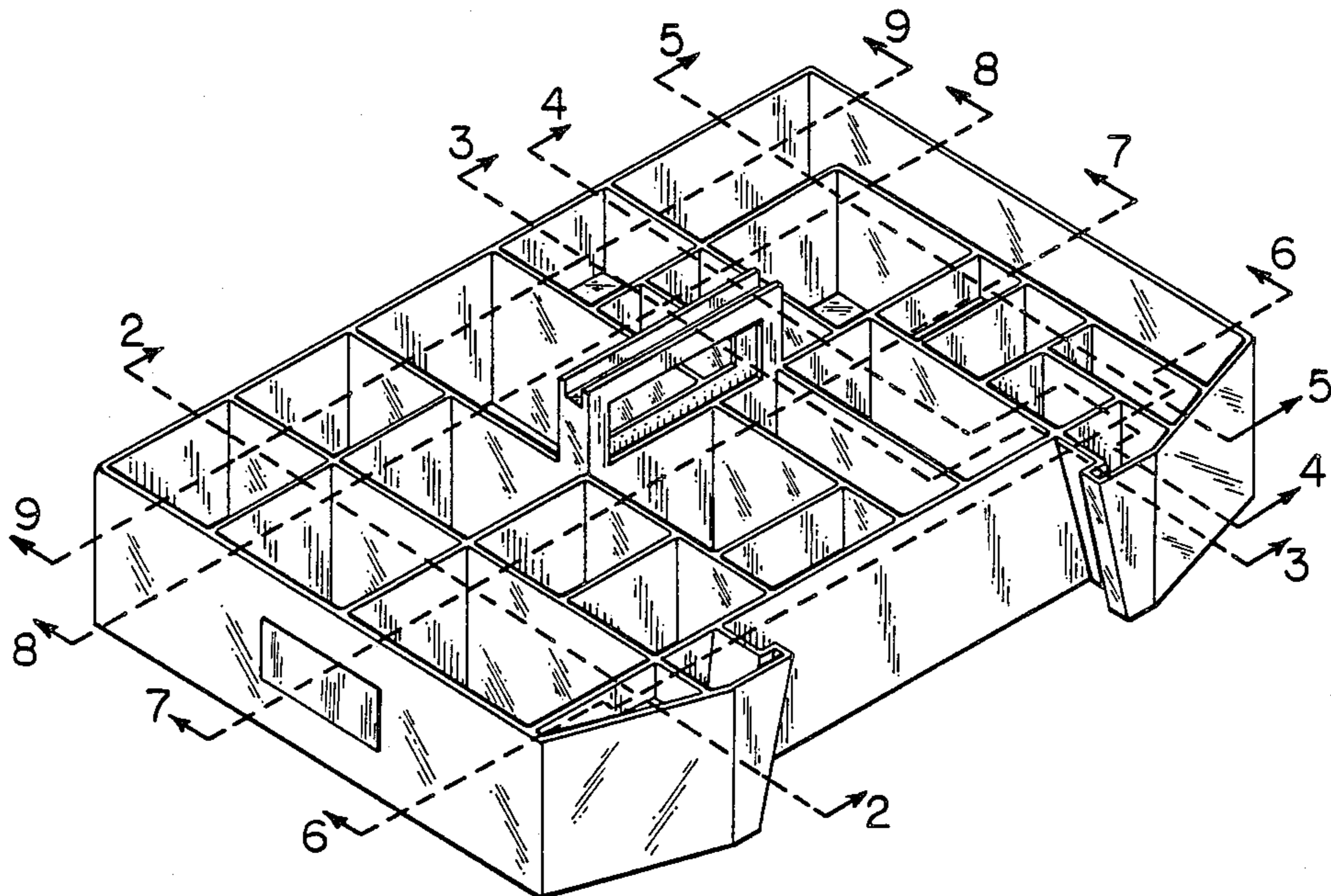
Attorney, Agent, or Firm—C. Robert Rhodes; Judith E. Garmon

[57] CLAIM

The ornamental design for an organizer tray for plumbers, as shown and described.

DESCRIPTION

FIG. 1 is a top perspective view of an organizer tray for plumbers showing our new design;
 FIG. 2 is a sectional view taken along line 2—2 of FIG. 1;
 FIG. 3 is a sectional view taken along line 3—3 of FIG. 1;
 FIG. 4 is a sectional view taken along line 4—4 of FIG. 1;
 FIG. 5 is a sectional view taken along line 5—5 of FIG. 1;
 FIG. 6 is a sectional view taken along line 6—6 of FIG. 1;
 FIG. 7 is a sectional view taken along line 7—7 of FIG. 1;
 FIG. 8 is a sectional view taken along line 8—8 of FIG. 1; and
 FIG. 9 is a sectional view taken along line 9—9 of FIG. 1.
 The rear and end not shown are flat and unornamented.



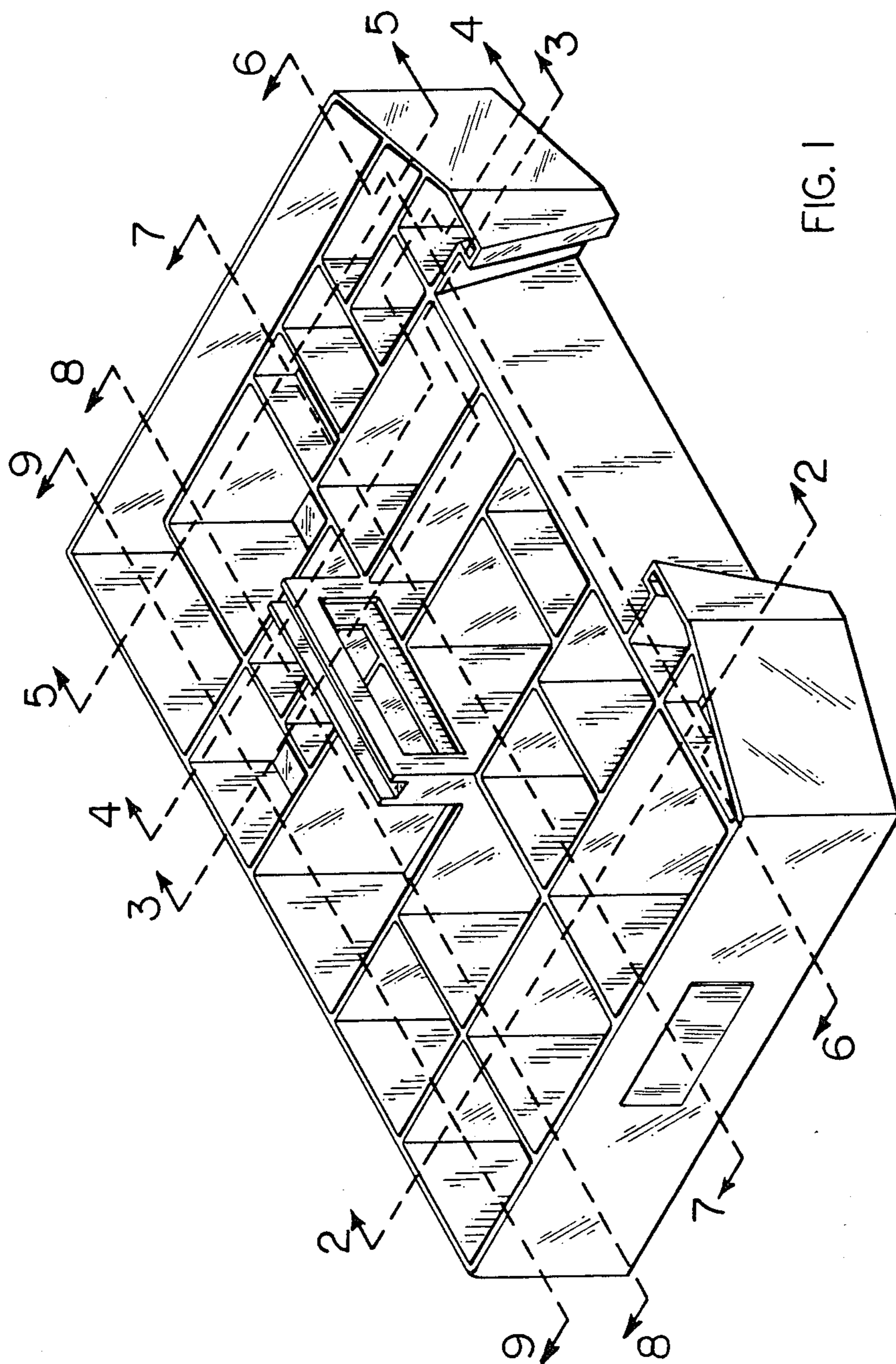


FIG. 1

FIG. 2

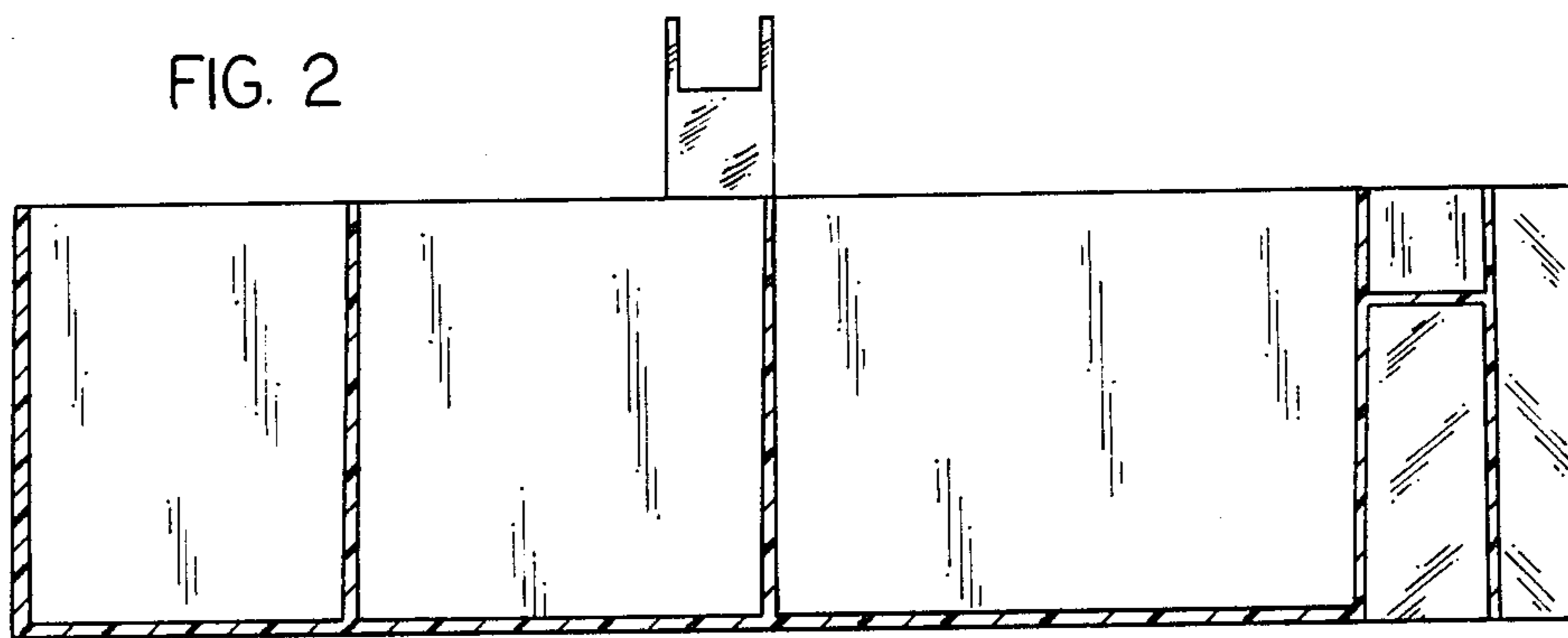


FIG. 3

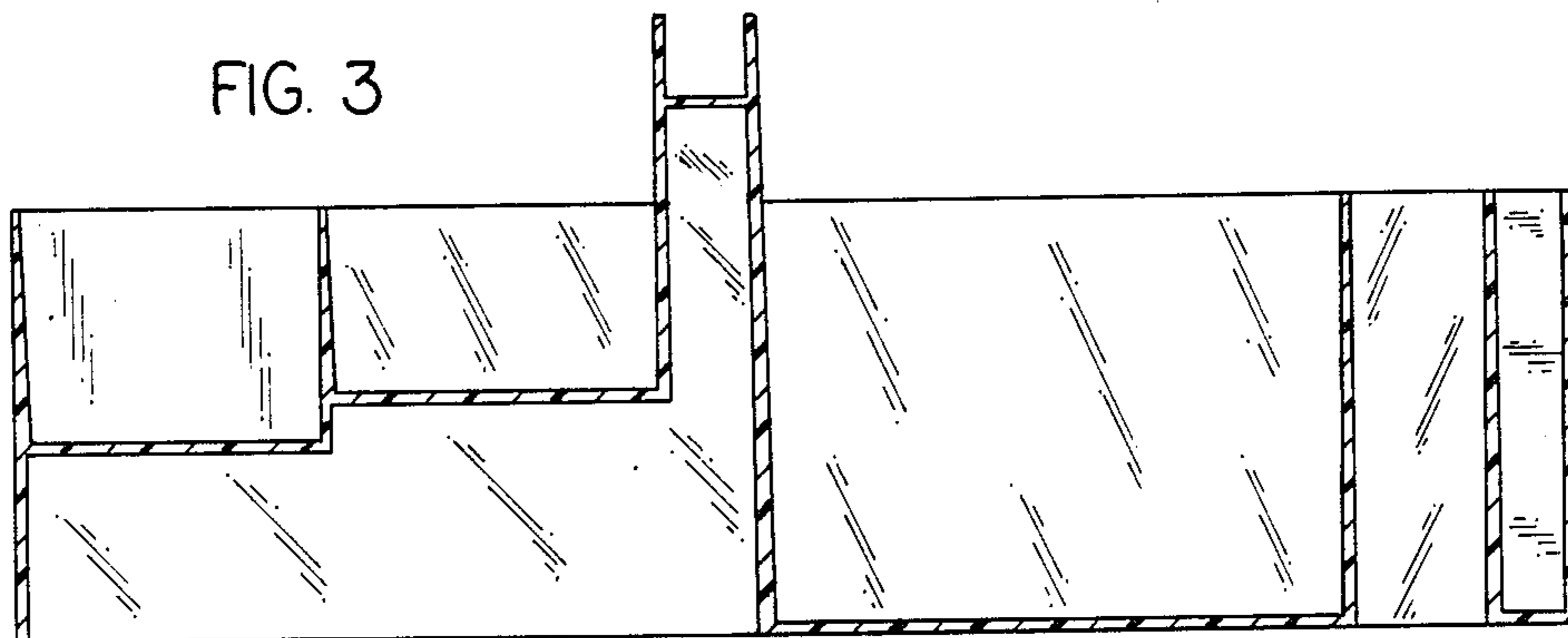


FIG. 4

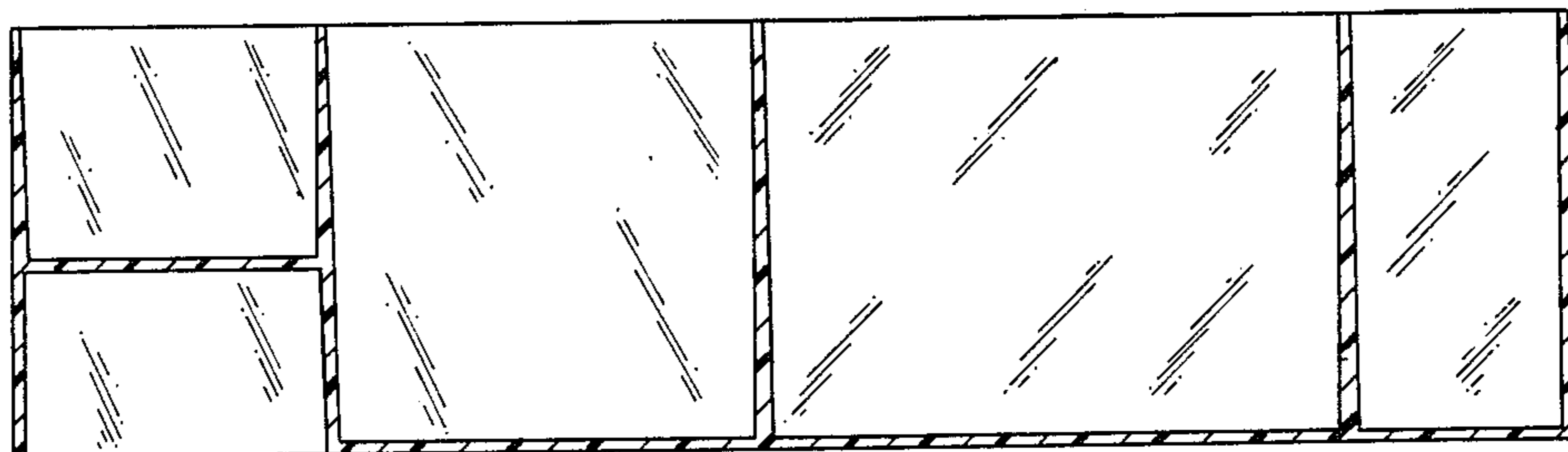
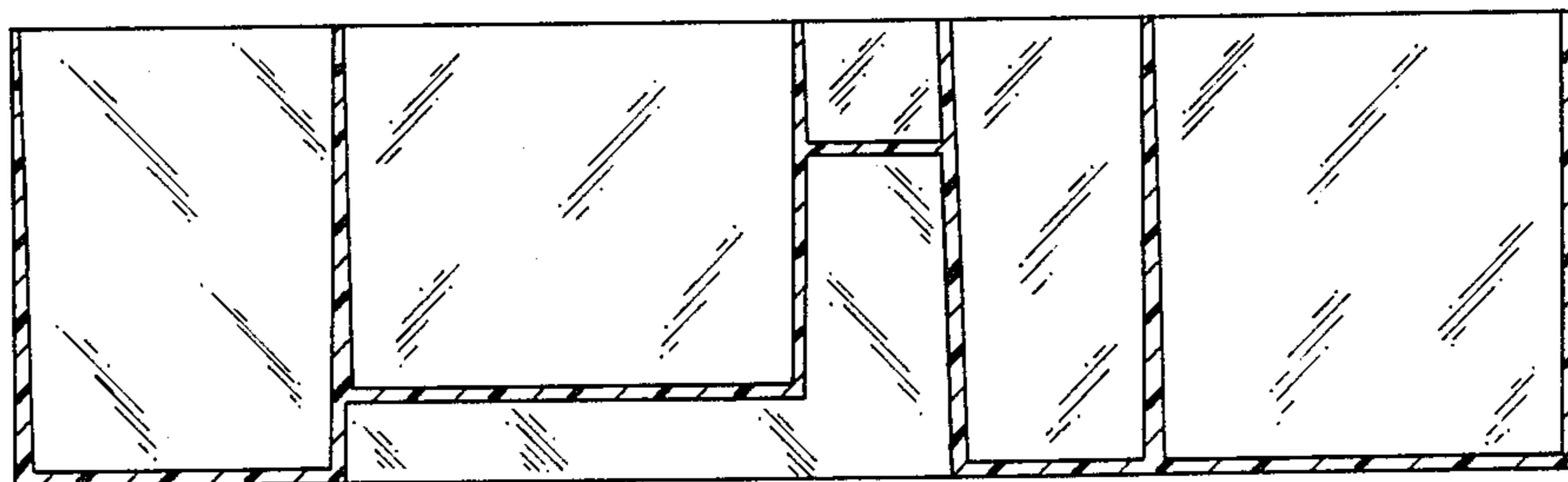


FIG. 5



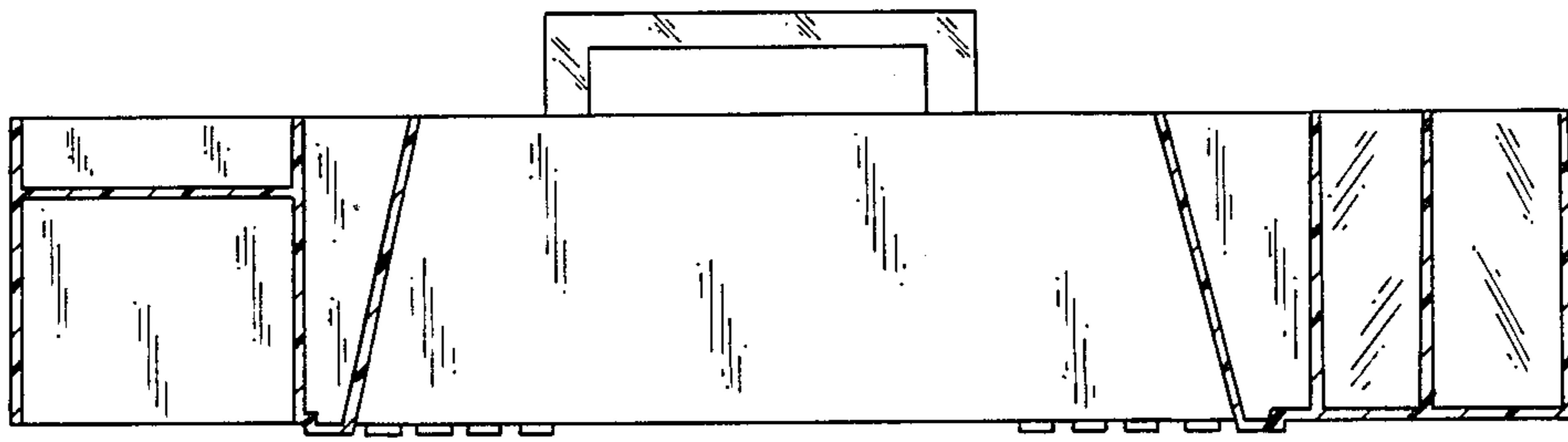


FIG. 6

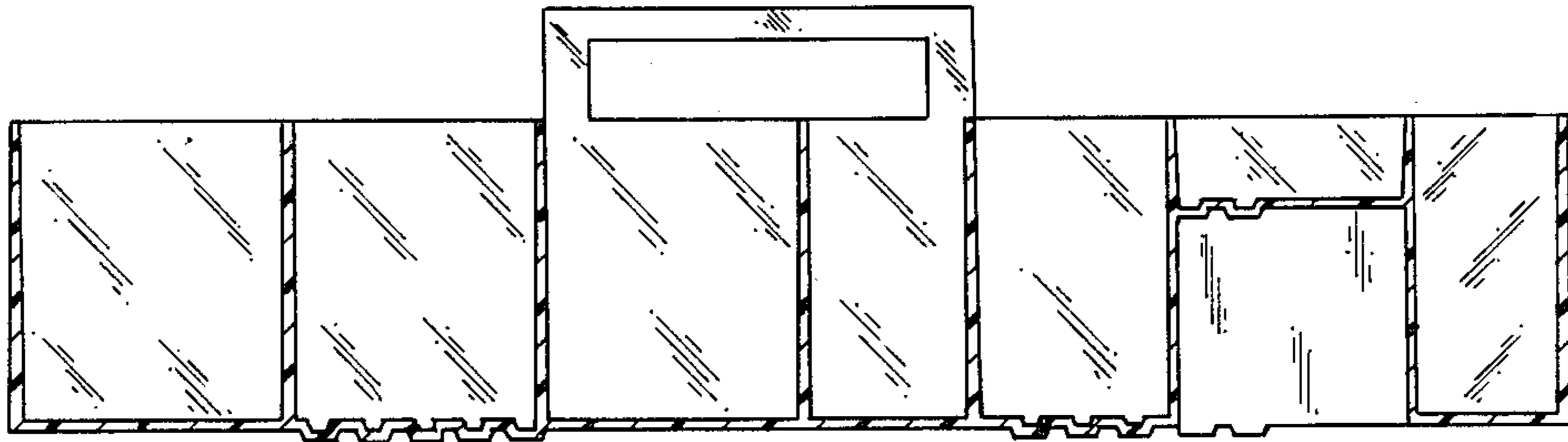


FIG. 7

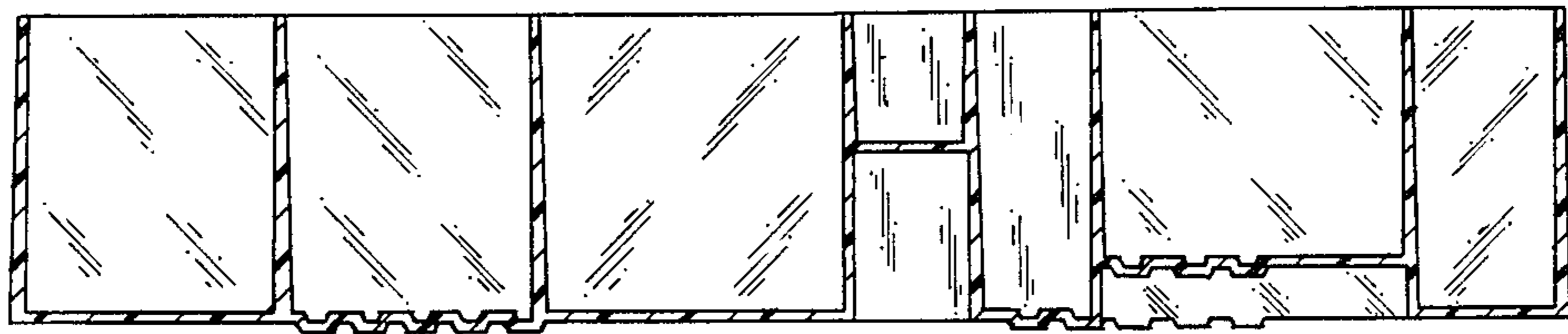


FIG. 8

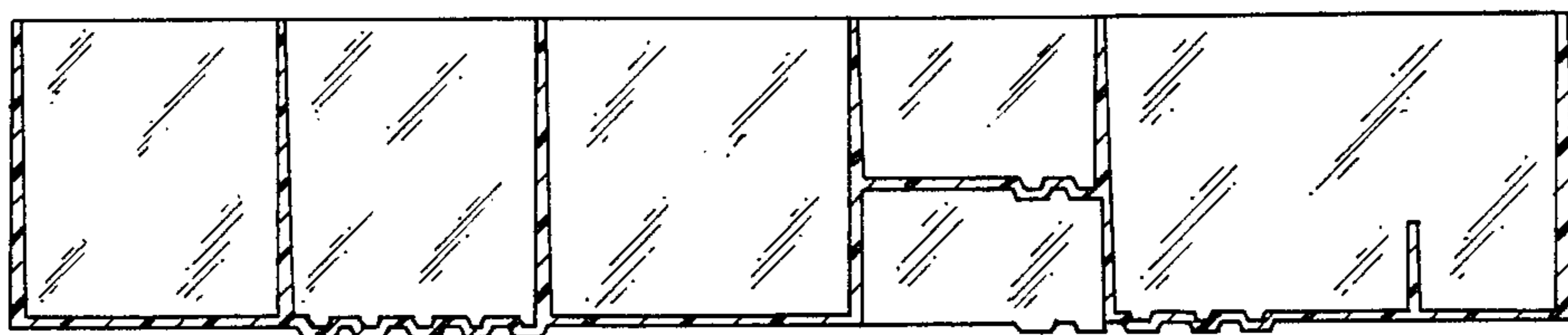


FIG. 9