

[54] ADJUSTABLE SNAP-ON HAND GRIP FOR A SHOPPING CART OR THE LIKE

[76] Inventor: Louise E. Goodwin, 1864 Honeysuckle La., El Cajon, Calif. 92021

[**] Term: 14 Years

[21] Appl. No.: 771,795

[22] Filed: Sep. 3, 1985

[52] U.S. Cl. D34/27

[58] Field of Search D34/27; 280/33.99 B, 280/33.99 H, 33.99 A, 33.99 S; D23/267; D20/44

[56] References Cited

U.S. PATENT DOCUMENTS

- D. 255,886 7/1980 Flynn D23/267
- D. 292,538 10/1987 Trubiano D34/27
- 3,281,978 11/1966 Drugan et al. D20/44
- 3,539,204 11/1970 Keller 280/33.99 A

OTHER PUBLICATIONS

Plastic Process Company Cat. p. 11, Plastimode Hinges, No. 1017.

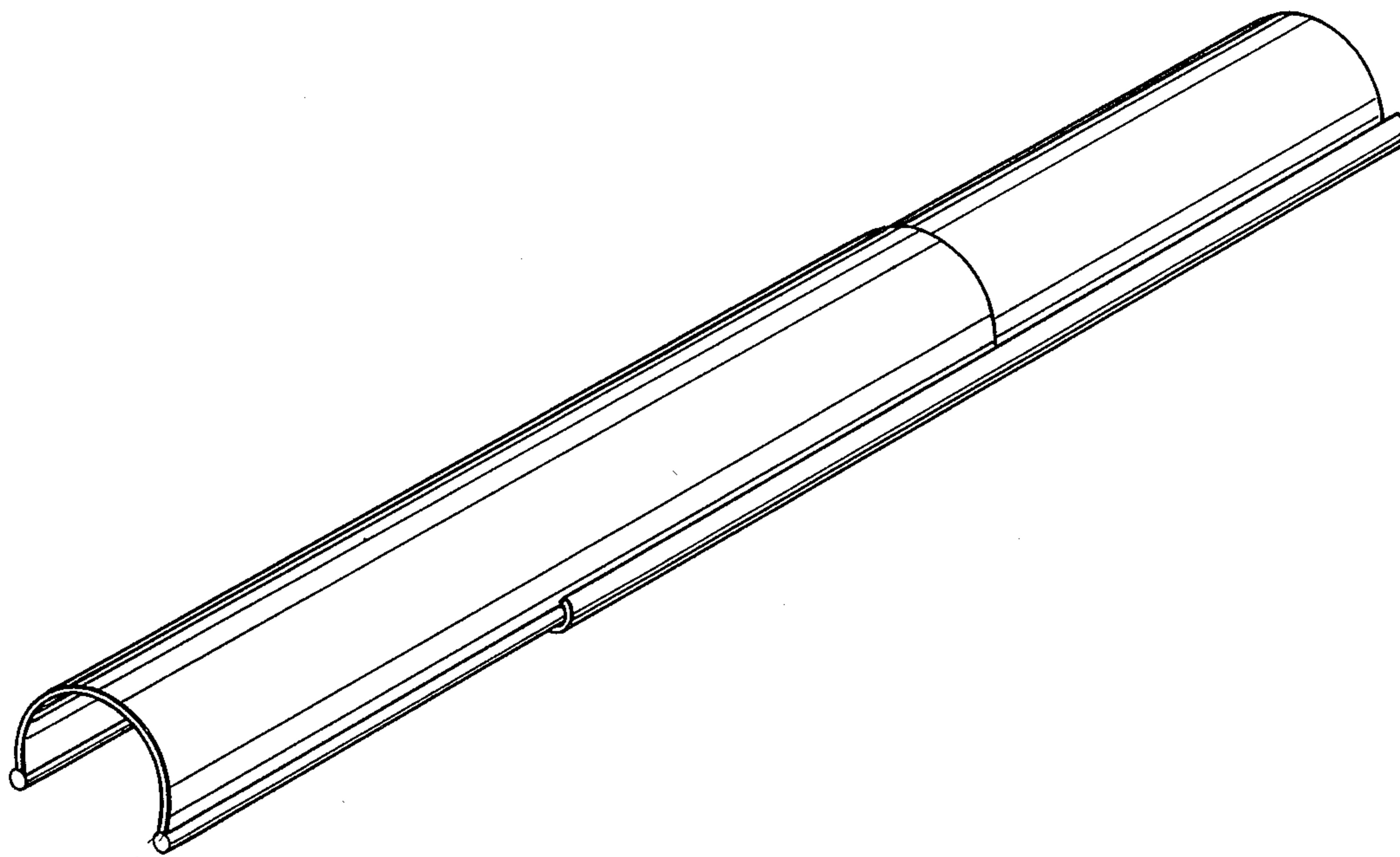
Primary Examiner—Wallace R. Burke
Assistant Examiner—Kay H. Chin
Attorney, Agent, or Firm—Brown, Martin, Haller & Meador

[57] CLAIM

The ornamental design for an adjustable snap-on hand grip for a shopping cart or the like, as shown.

DESCRIPTION

FIG. 1 is a perspective view of an adjustable snap-on hand grip for a shopping cart or the like, showing my new design;
FIG. 2 is an end elevational view thereof;
FIG. 3 is a side elevational view thereof;
FIG. 4 is a top plan view thereof; and
FIG. 5 is a bottom plan view thereof.



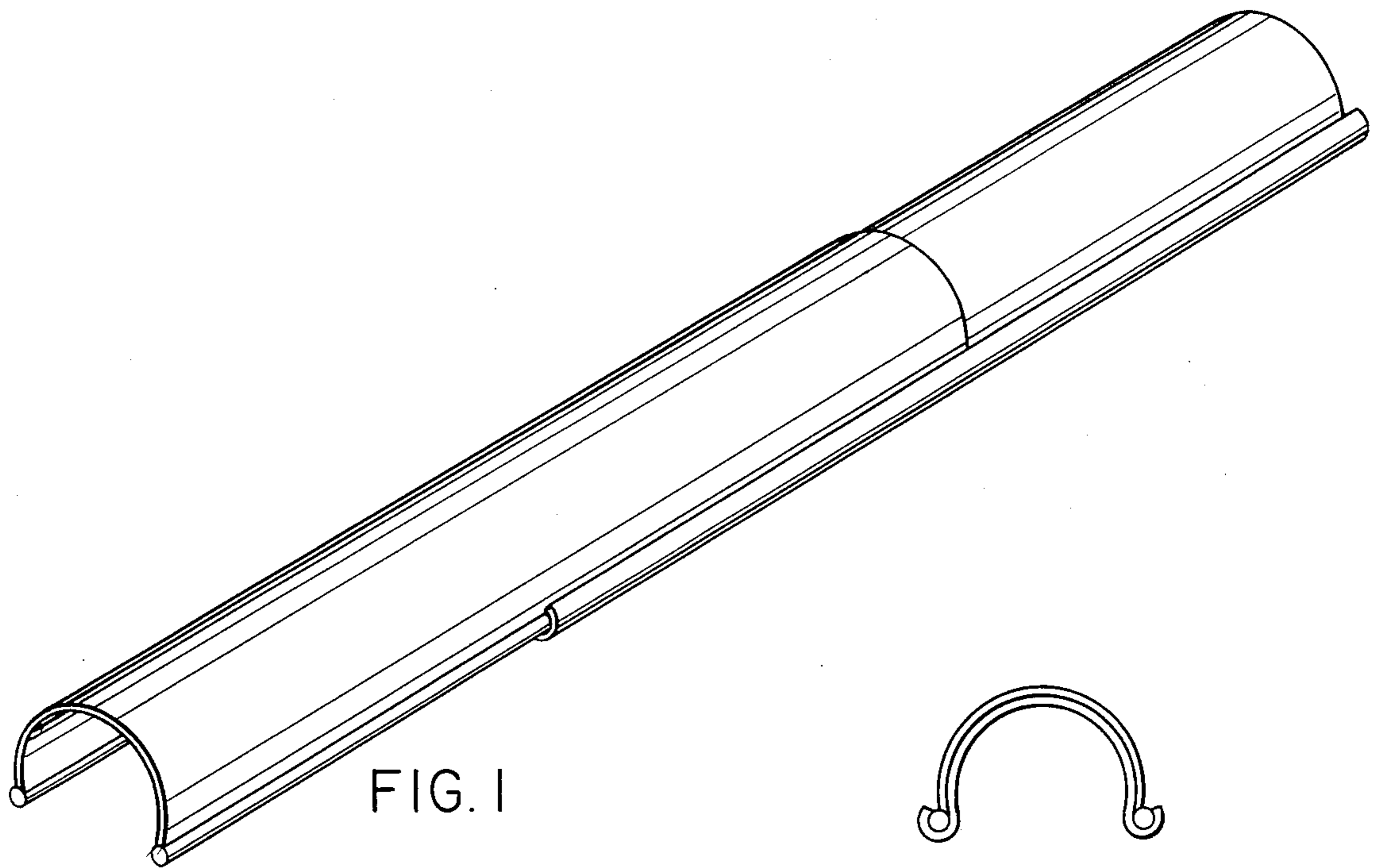


FIG. 1

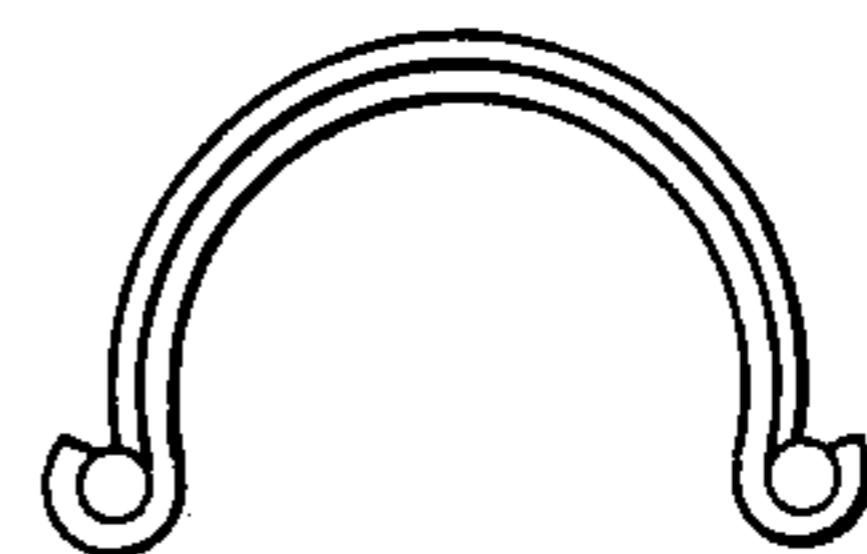


FIG. 2

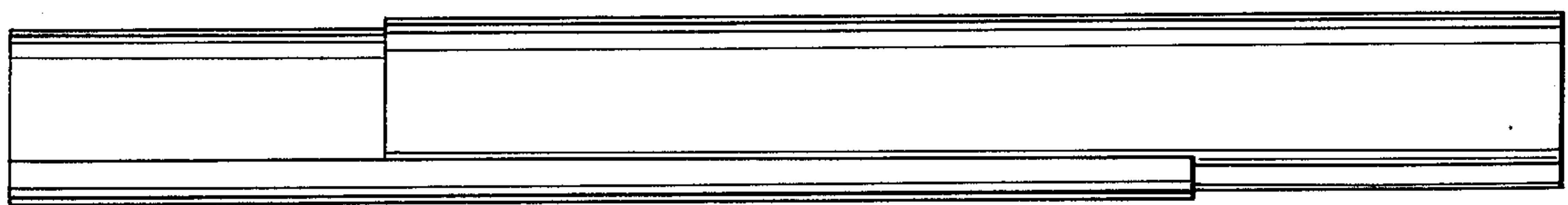


FIG. 3

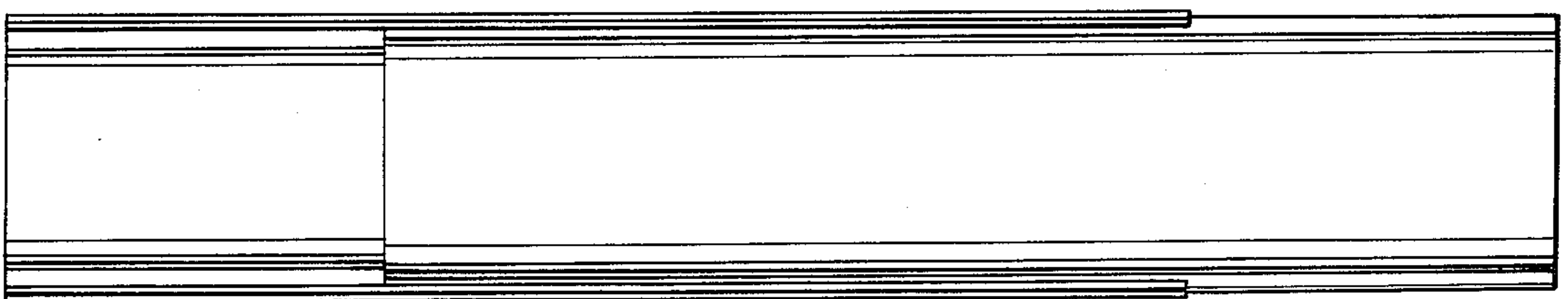


FIG. 4

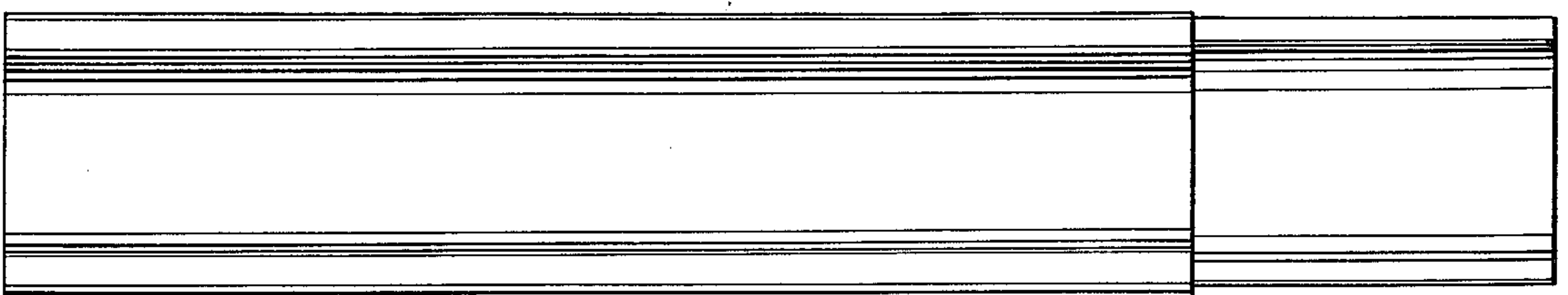


FIG. 5