

[54] LOAD CARRYING CART BODY

[76] Inventor: William E. Tuggle, 212 65th St., Virginia Beach, Va. 23451

[\*\*] Term: 14 Years

[21] Appl. No.: 143,106

[22] Filed: Jan. 12, 1988

Related U.S. Application Data

[63] Continuation-in-part of Ser. No. 701,333, Feb. 13, 1985, Pat. No. Des. 295,101.

[52] U.S. Cl. .... D34/24; D34/27

[58] Field of Search ..... D34/24, 26, 27, 12; 280/47.13 B, 47.18, 47.19, 47.25, 47.17, 655, 30; 297/183; 312/250

References Cited

U.S. PATENT DOCUMENTS

1,268,631	6/1918	Schaeffer	297/183
3,035,847	5/1962	Born	280/36
3,603,608	9/1971	Kirkpatrick	280/47.13 R
3,754,772	8/1973	Carn	280/47.13 B
3,765,696	10/1973	Capron	280/47.25
3,804,432	4/1974	Lehrman	280/36 C
3,936,070	2/1976	Owings	280/47.25
4,049,283	9/1977	Brookes et al.	280/47.13 R
4,243,239	1/1981	Whitney	280/47.13 B
4,327,933	5/1982	Tuggle	280/414.2
4,362,307	12/1982	Nakatani	280/30
4,407,521	10/1983	Zeitlin	280/655
4,448,434	5/1984	Anderson	280/40

4,544,172 10/1985 Poulouin ..... 280/47.13 B

FOREIGN PATENT DOCUMENTS

1098099 7/1955 France ..... 280/47.24  
2515605 5/1983 France ..... 280/47.13 B

Primary Examiner—Wallace R. Burke  
Assistant Examiner—Kay H. Chin  
Attorney, Agent, or Firm—Pollock, Vande Sande & Priddy

[57] CLAIM

The ornamental design for a load carrying cart body, as shown and described.

DESCRIPTION

FIG. 1 is a perspective view of a load carrying cart body showing my new design.  
FIG. 2 is a side elevational view thereof.  
FIG. 3 is a rear elevational view thereof.  
FIG. 4 is a top plan view thereof.  
FIG. 5 is a front elevational view thereof.  
FIG. 6 is a front elevational view thereof in its collapsed condition.  
FIG. 7 is a perspective view of a load carrying cart body showing a second embodiment.  
FIG. 8 is a side elevational view of FIG. 7.  
The broken lines shown in FIGS. 1 through 8 are for illustrative purposes only and form no part of the claimed design.  
The fragmentary criss-cross pattern shown in FIGS. 1, 4, 6 and 7 is understood to be continuous throughout the area shown.

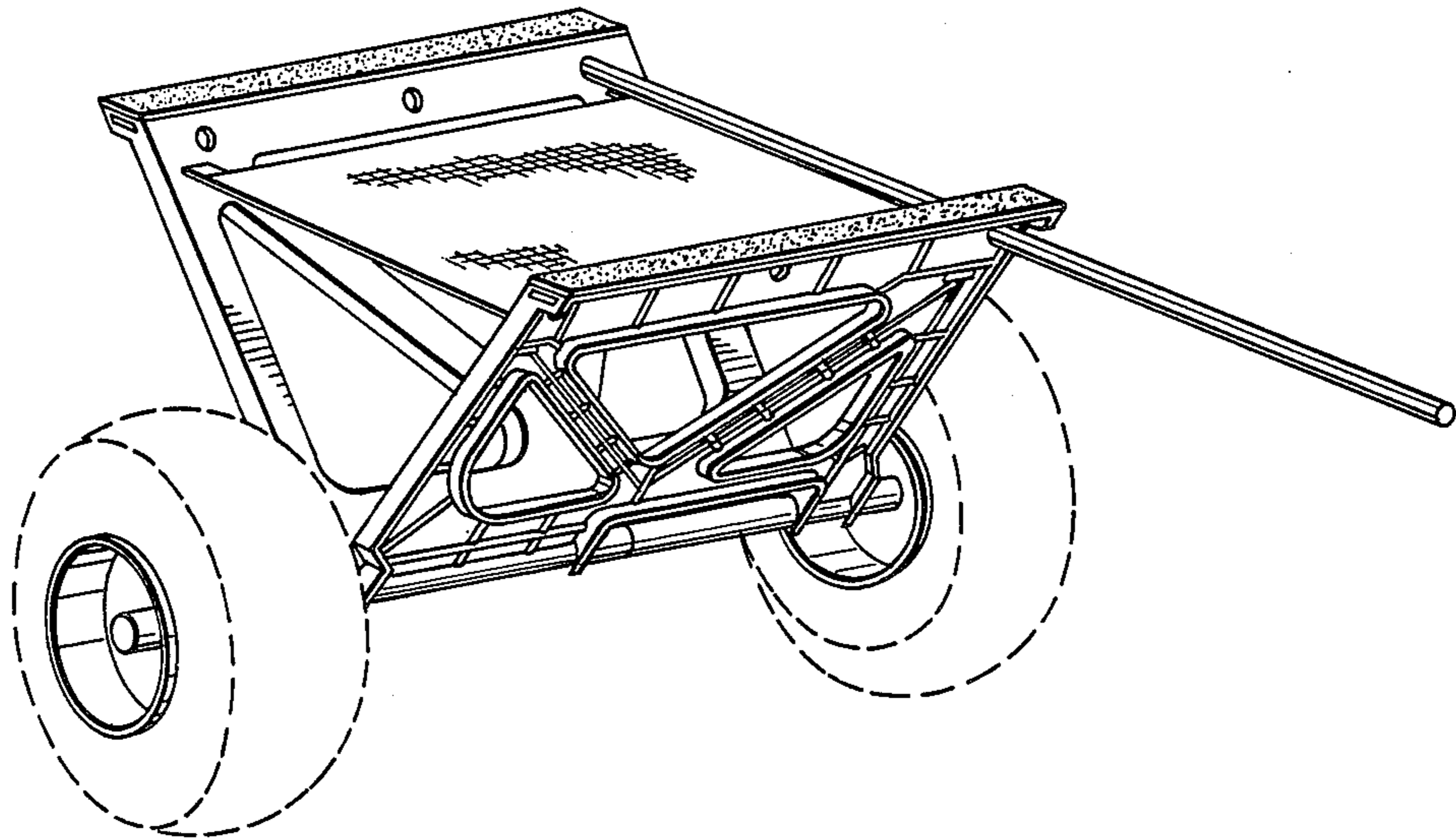


FIG 1

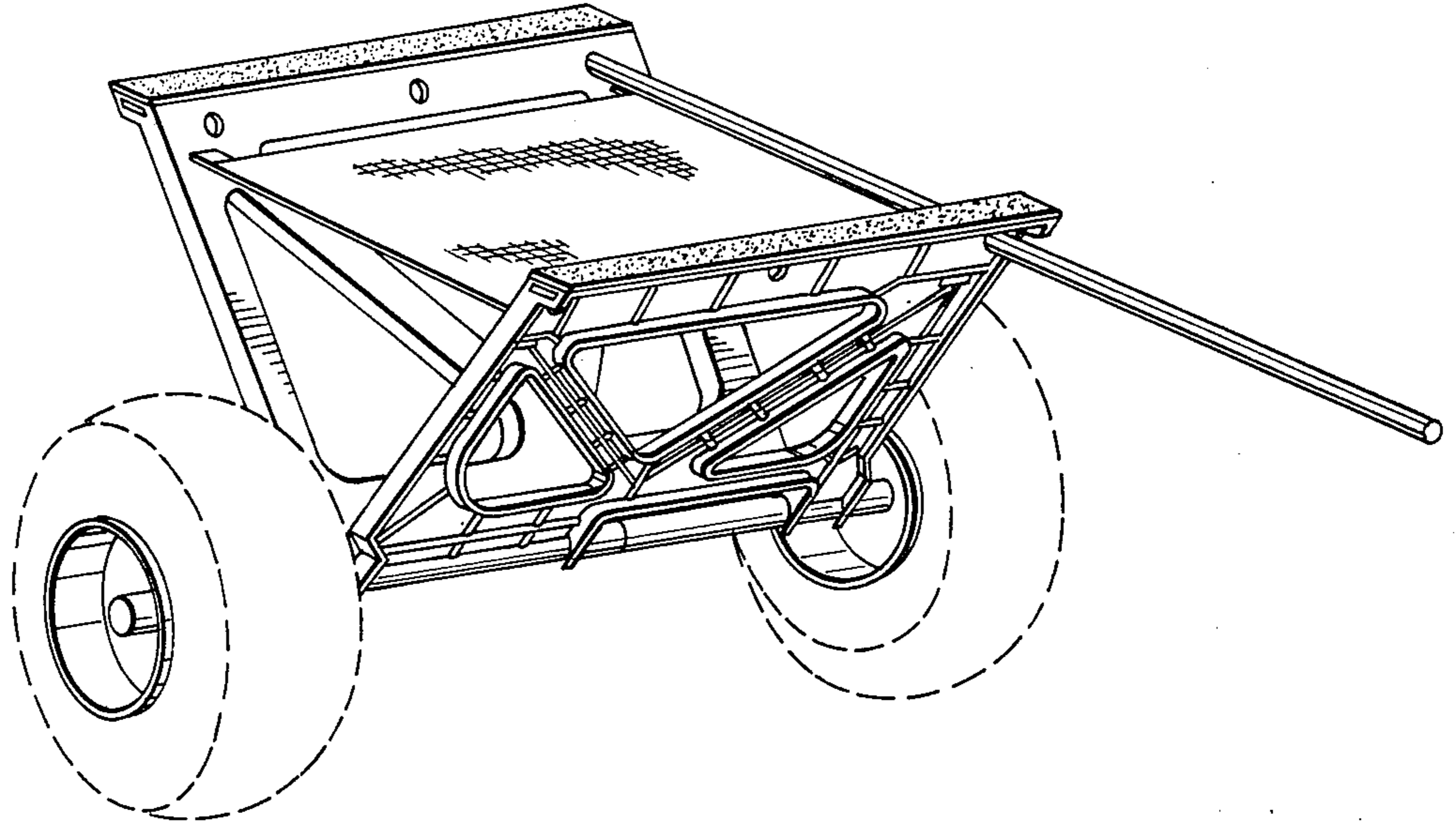


FIG 2

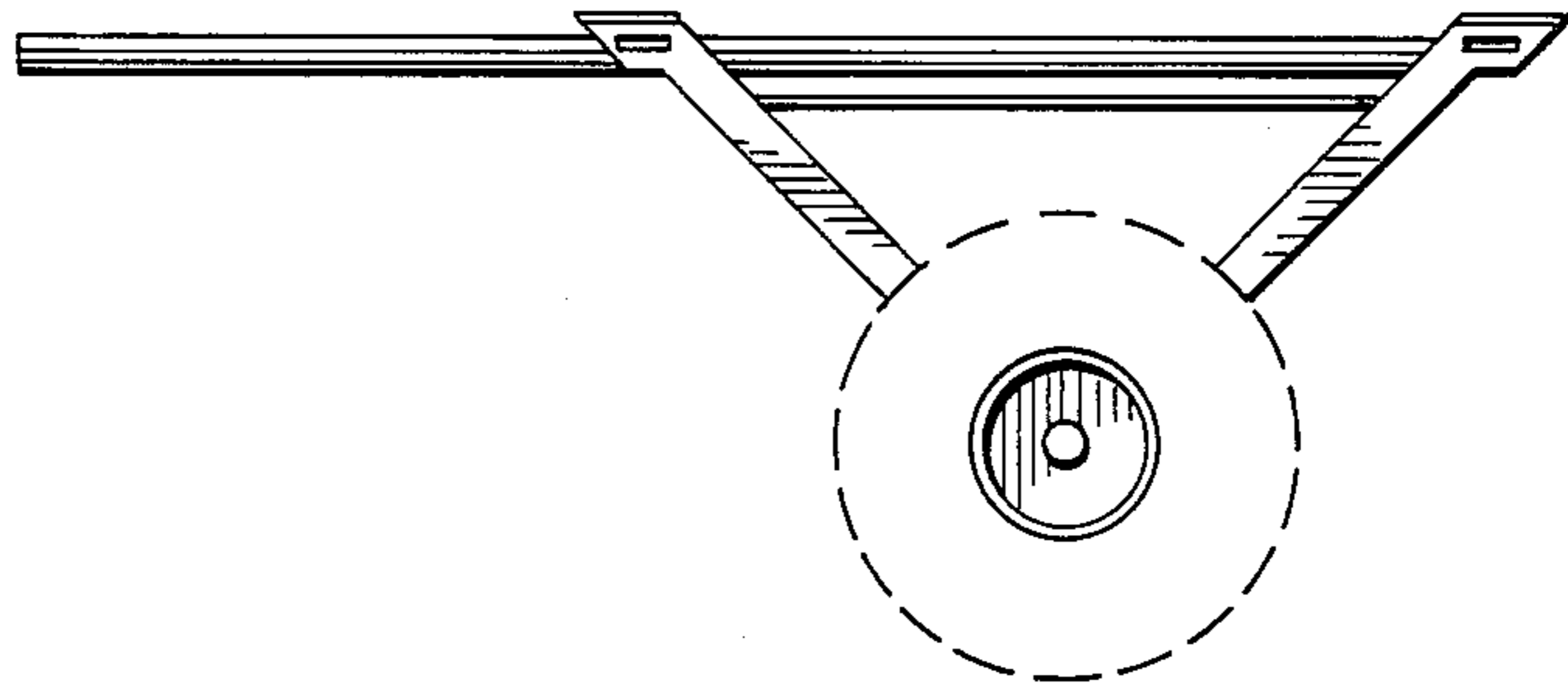


FIG 3

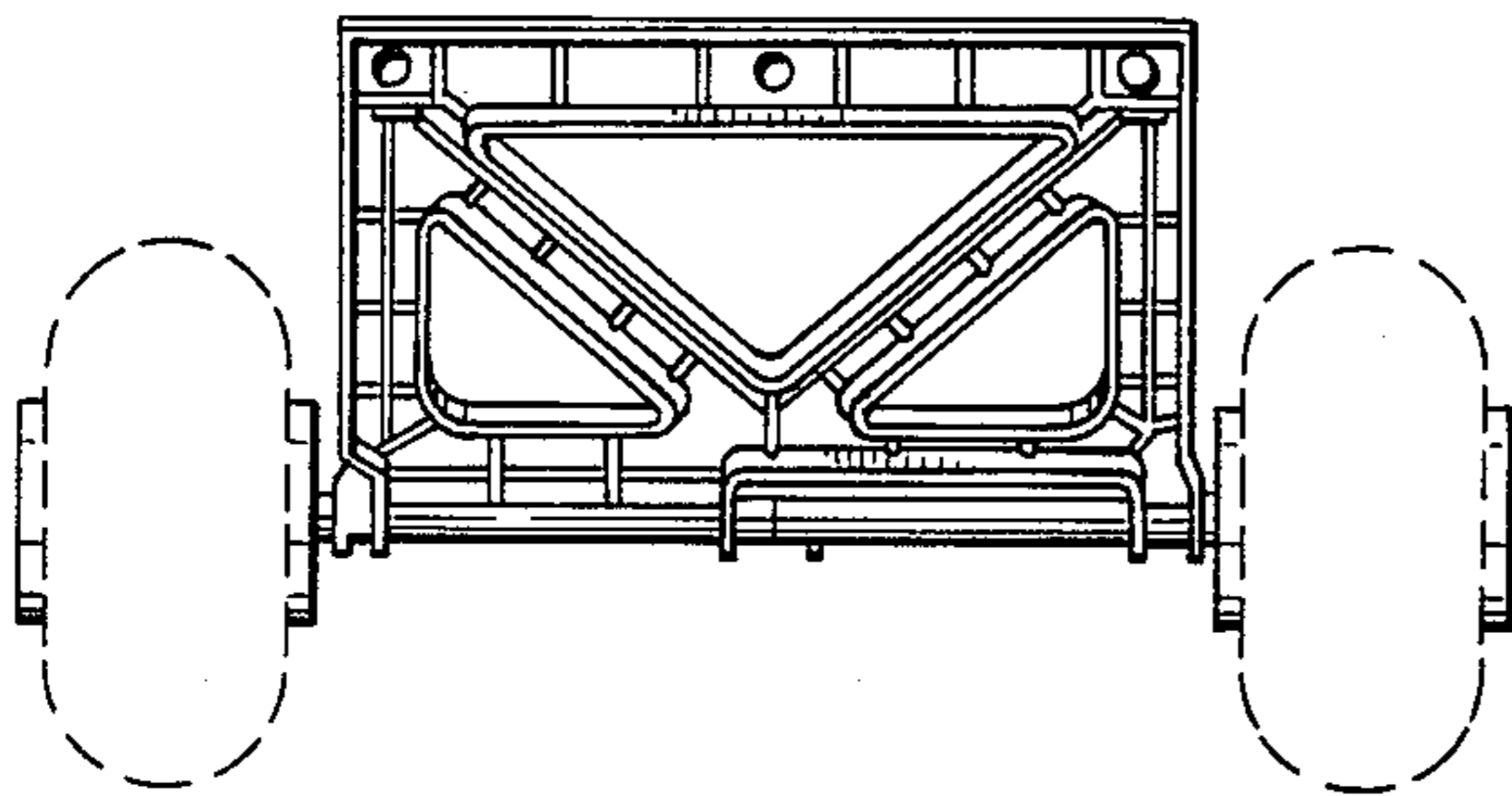
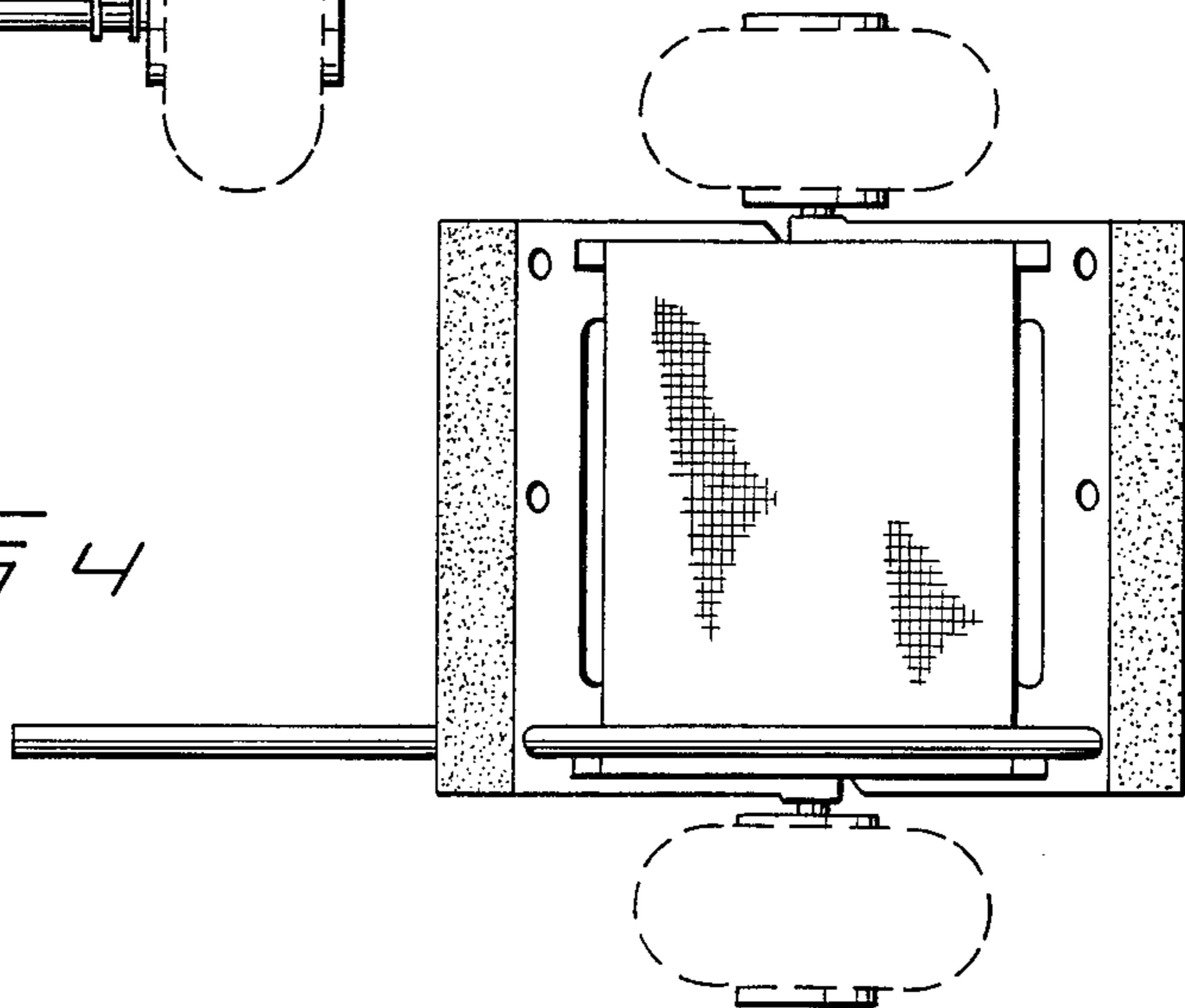


FIG 4





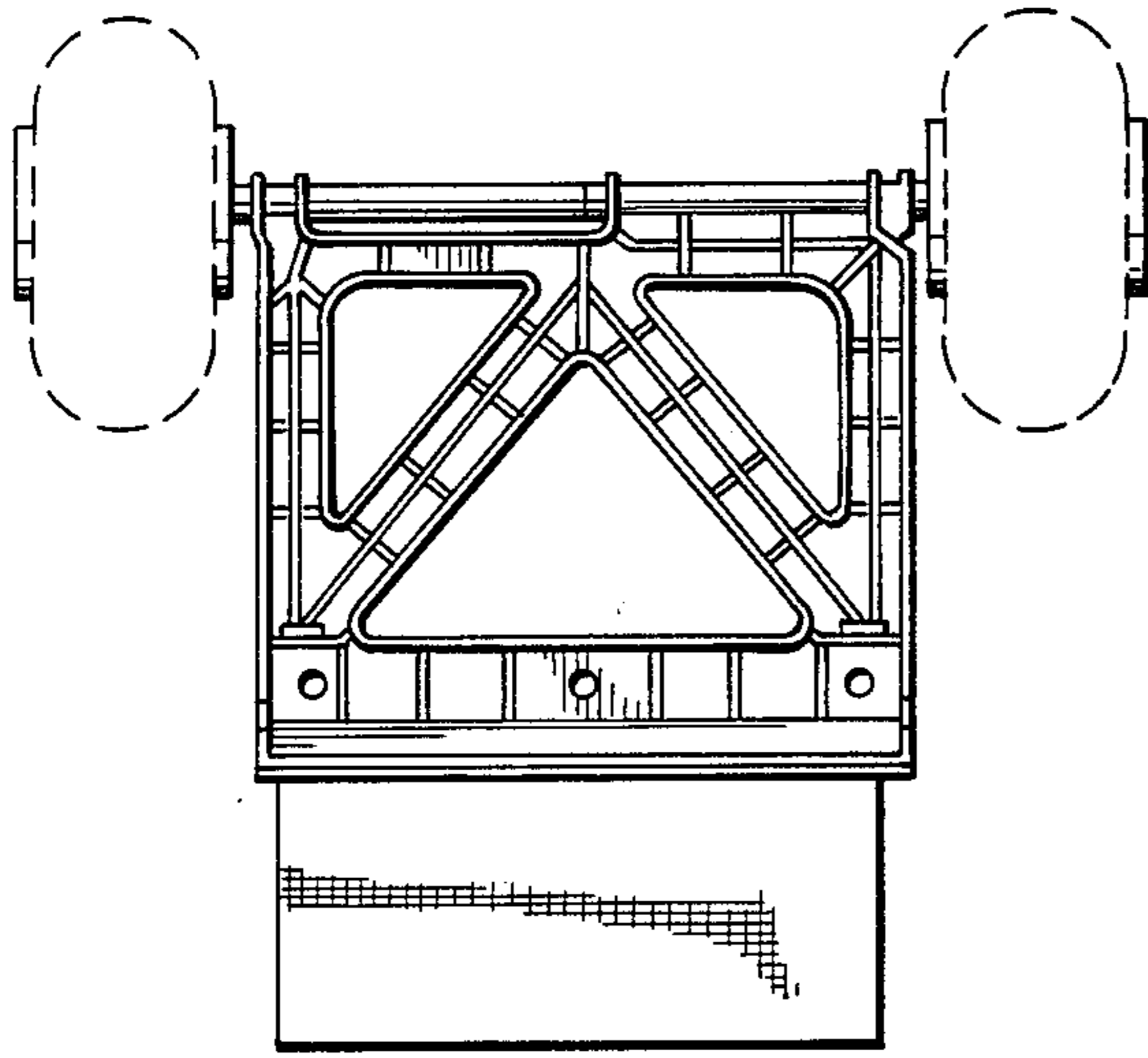


FIG 6

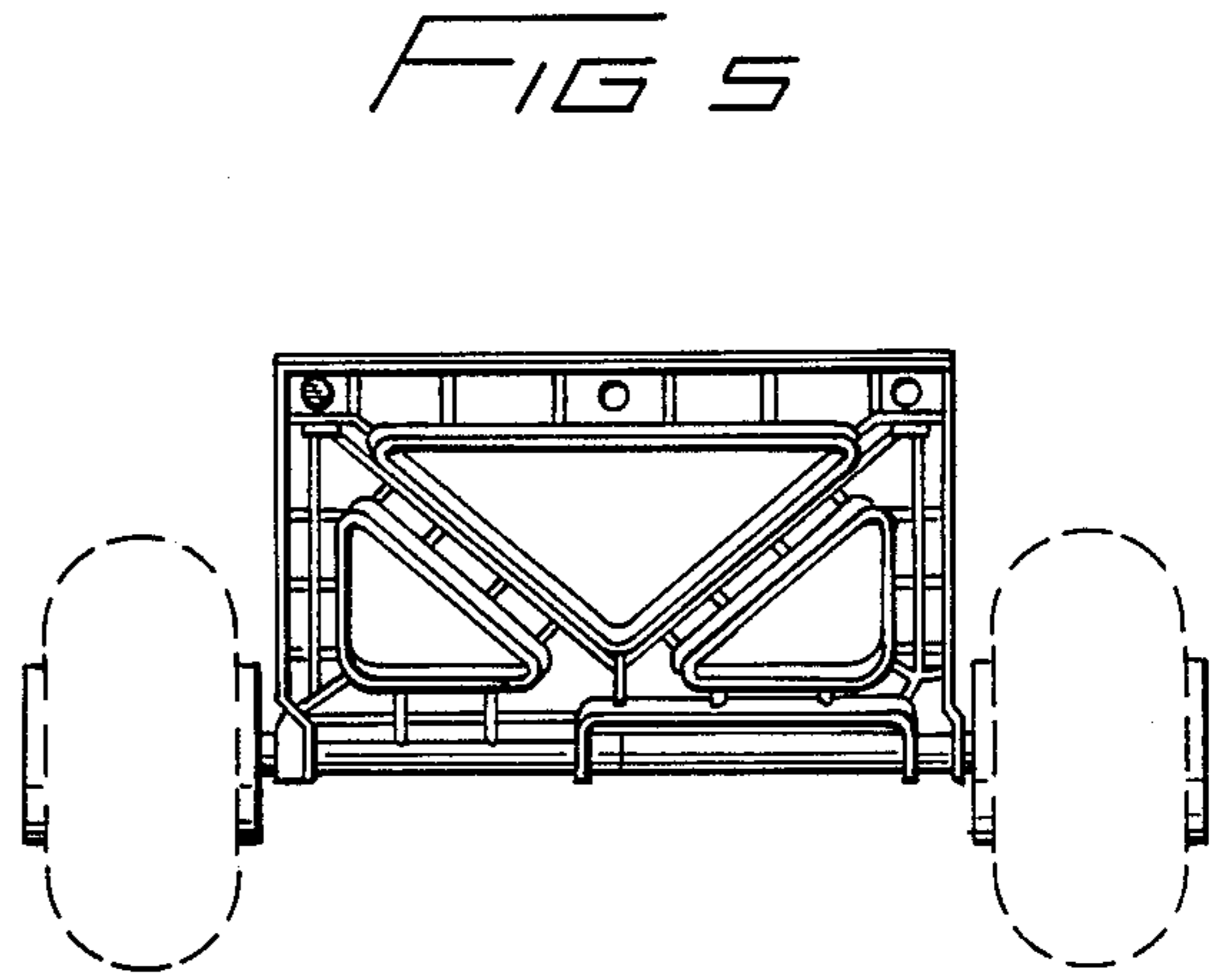


FIG 5

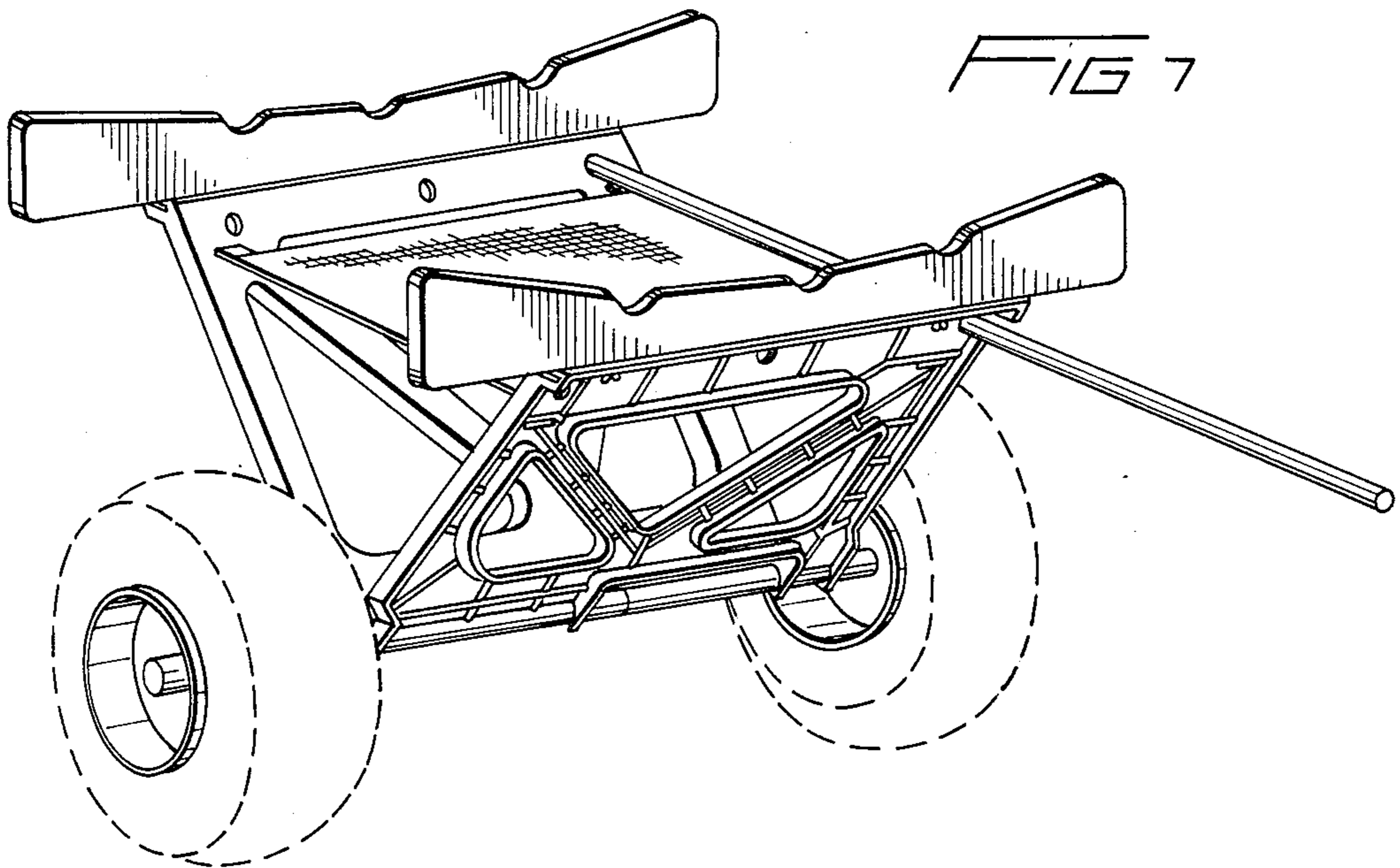


FIG 7

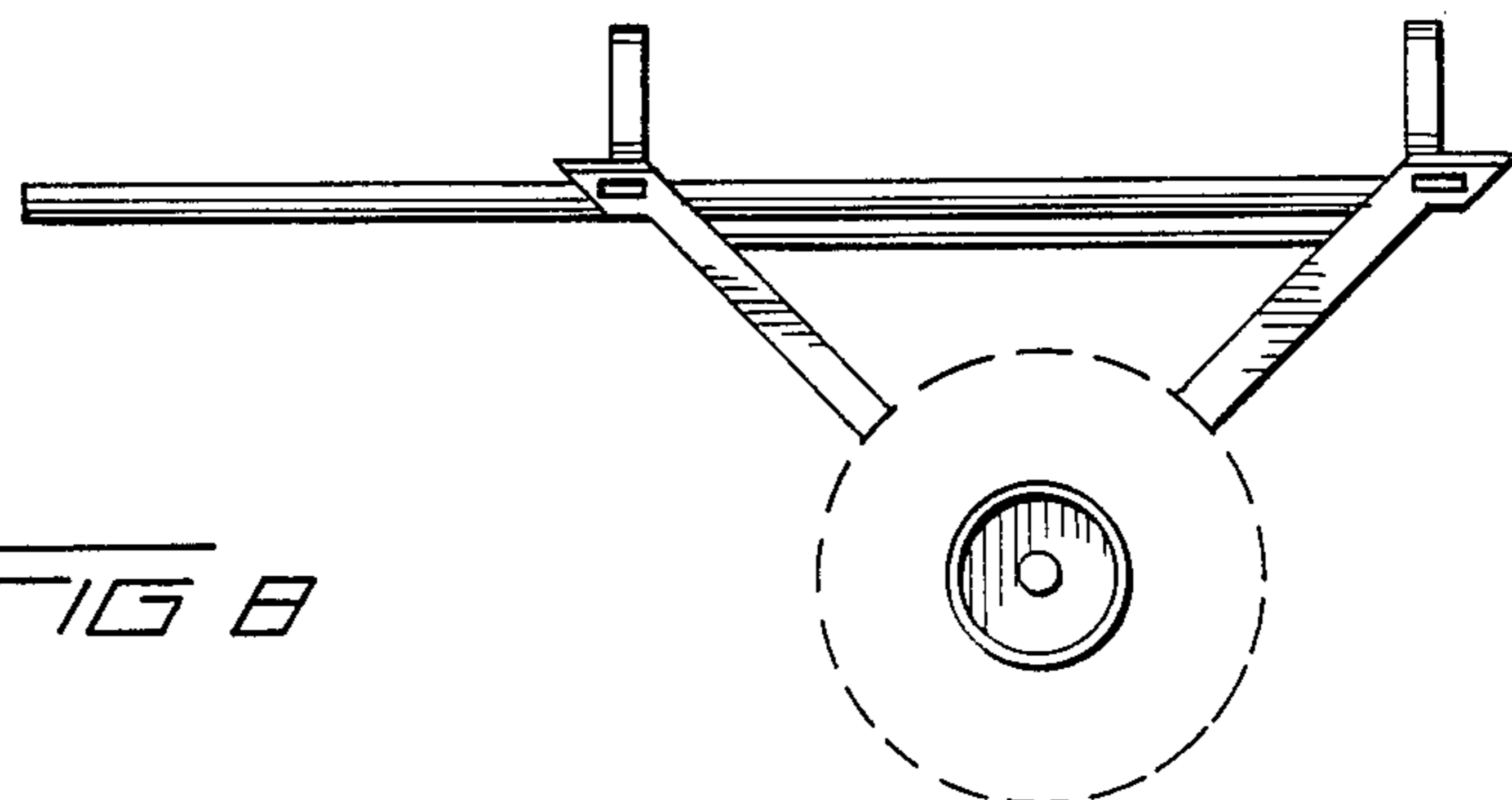


FIG 8