

[54] **HOPPER FOR GRASS CUTTINGS**

[76] **Inventor: Jerald W. Johnson, 721 SW. 101st St., Oklahoma City, Okla. 73139**

[**] **Term: 14 Years**

[21] **Appl. No.: 840,719**

[22] **Filed: Feb. 28, 1986**

[52] **U.S. Cl. D34/1; D34/28; D34/5**

[58] **Field of Search D34/28, 1, 2, 5, 6; 414/326; 222/460, 461, 462; 193/9; 406/108; 248/95-101; 220/1 T; 198/671, 311**

[56] **References Cited**

U.S. PATENT DOCUMENTS

D. 254,951	5/1980	Gedye	D34/1
D. 279,323	6/1985	Spenceley	D34/28
2,743,801	5/1956	Faust et al.	193/9
2,943,752	7/1960	Platt	414/326

3,762,772	10/1973	Fuss	406/1
4,220,434	9/1980	Letzig	198/671

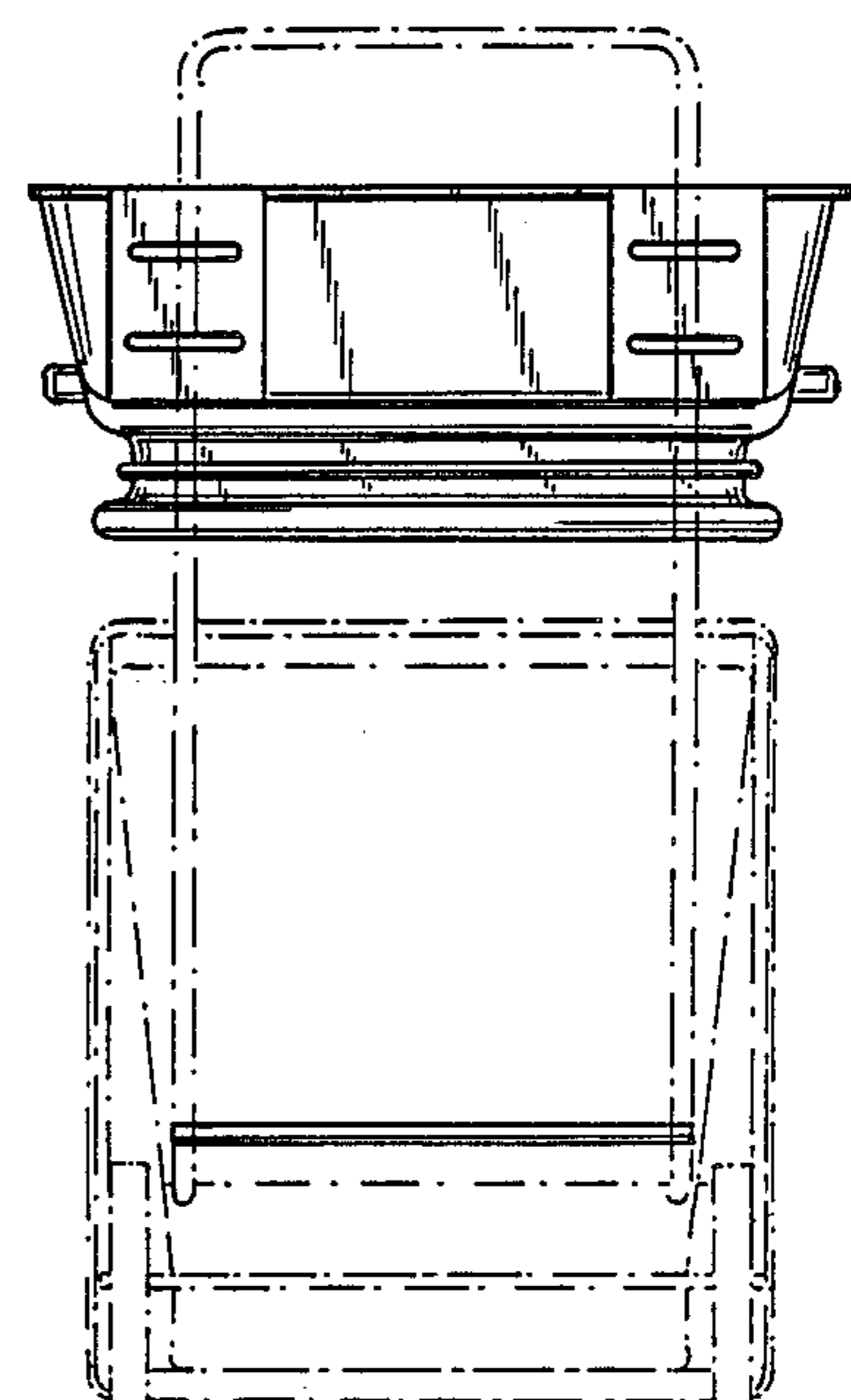
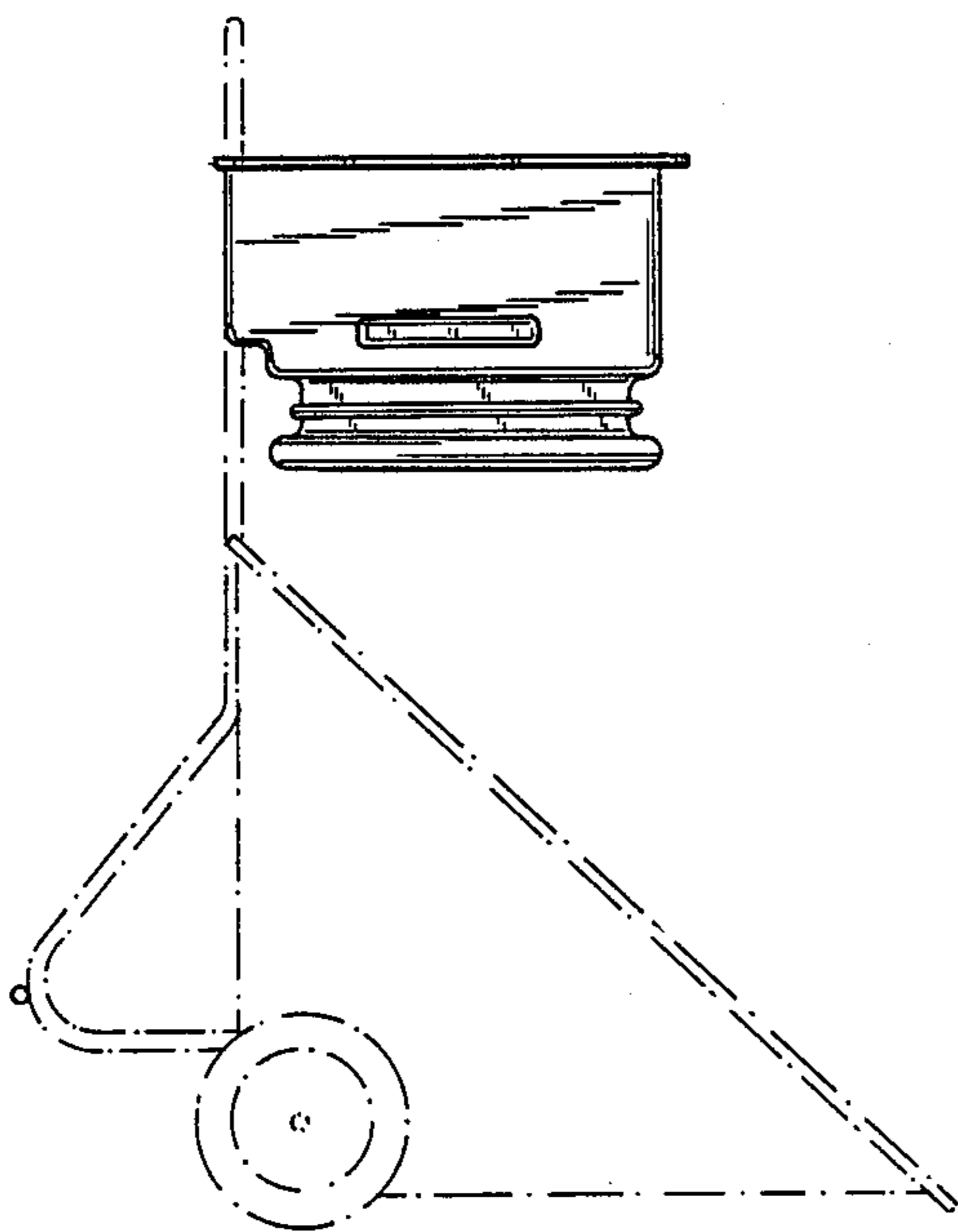
Primary Examiner—Wallace R. Burke
Assistant Examiner—Kay H. Chin
Attorney, Agent, or Firm—Bill D. McCarthy

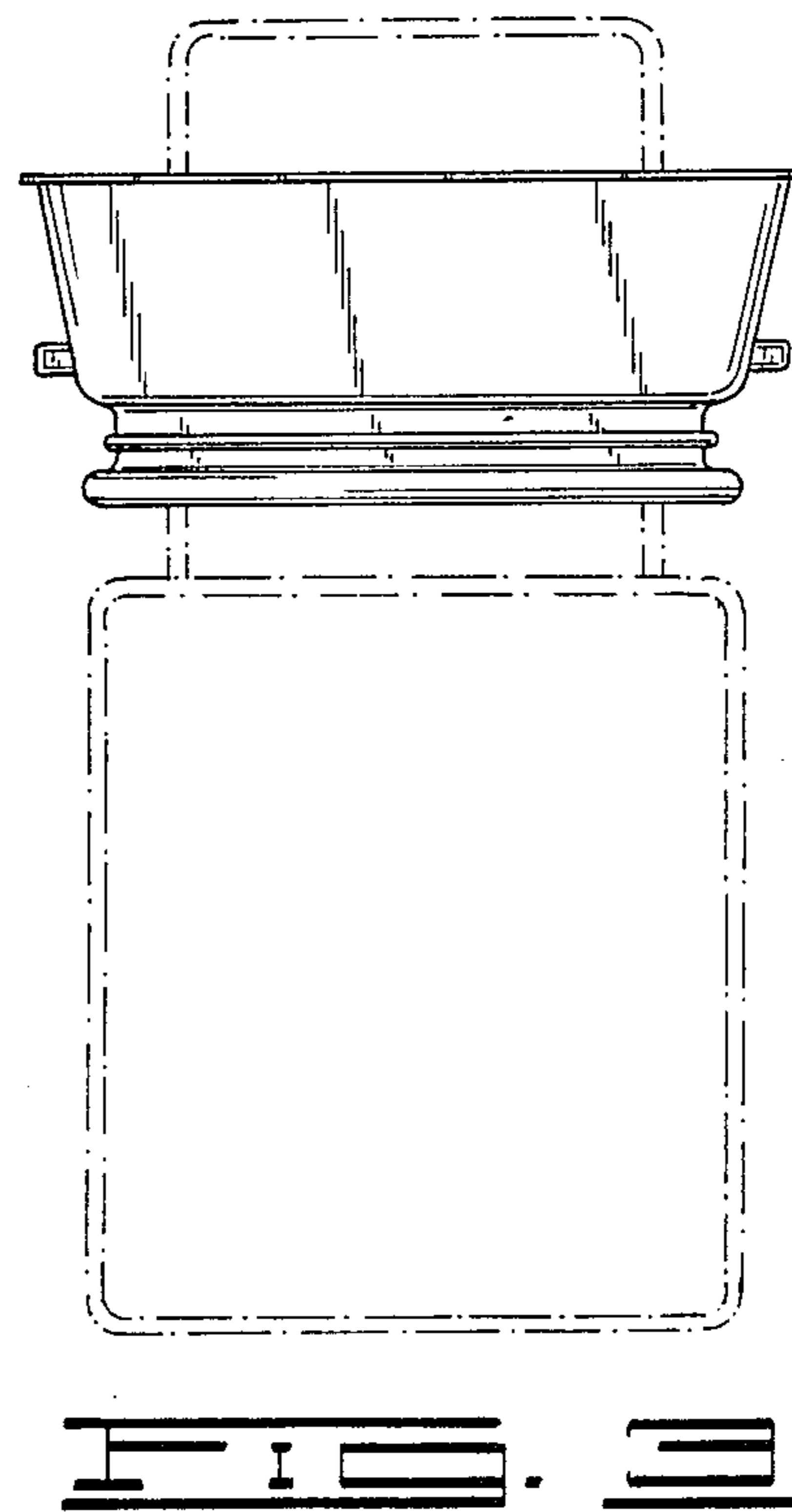
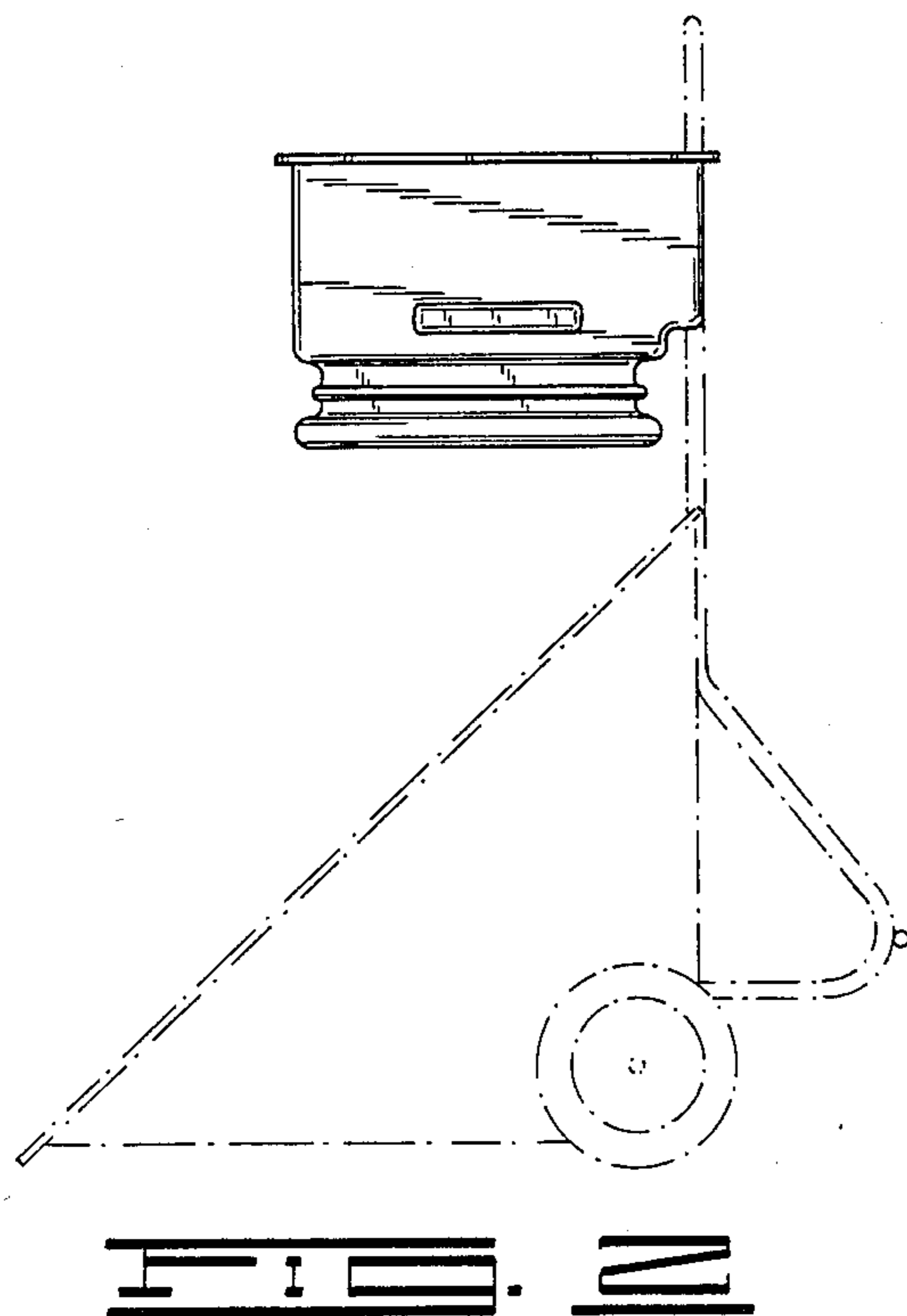
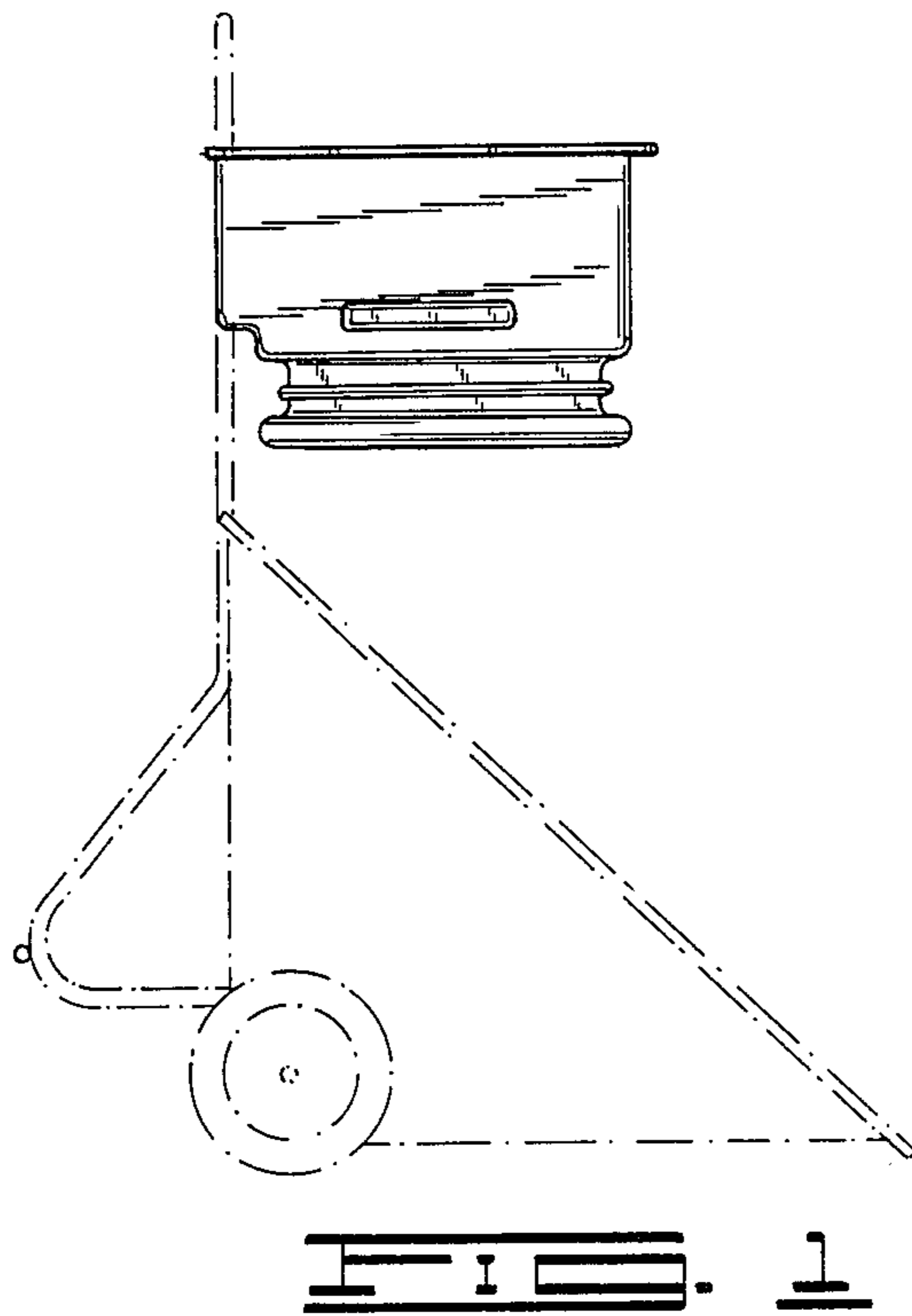
[57] **CLAIM**

The ornamental design for a hopper for grass cuttings, as shown and described.

DESCRIPTION

FIG. 1 is a left side elevational view of a hopper for grass cuttings showing my new design; FIG. 2 is a right side elevational view thereof; FIG. 3 is a front elevational view thereof; FIG. 4 is a rear elevational view thereof; FIG. 5 is a top plan view thereof; and, FIG. 6 is a bottom plan view thereof. The broken lines shown in FIGS. 1 through 6 of the drawing are for illustrative purposes only and form no part of the claimed design.





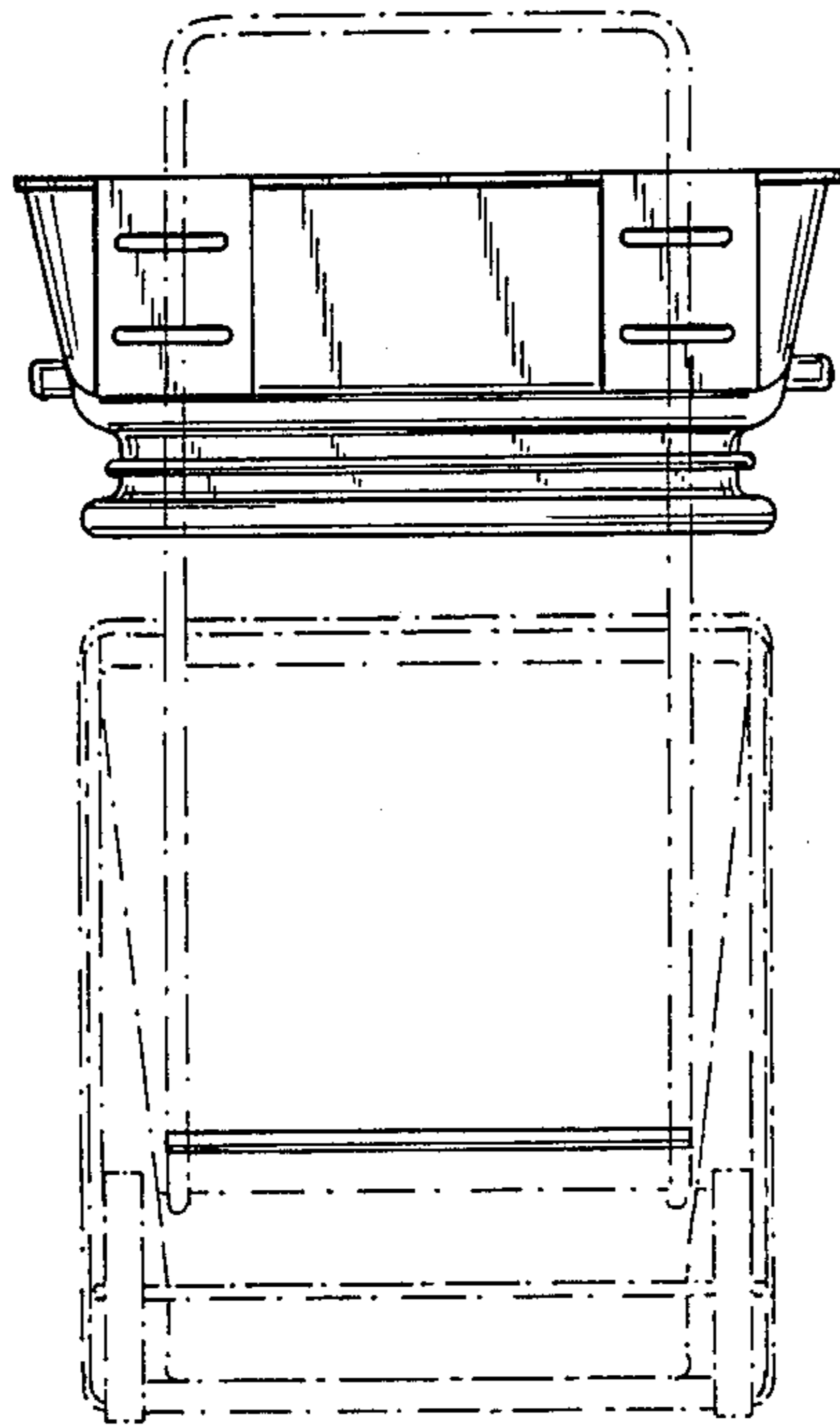


FIG. 4

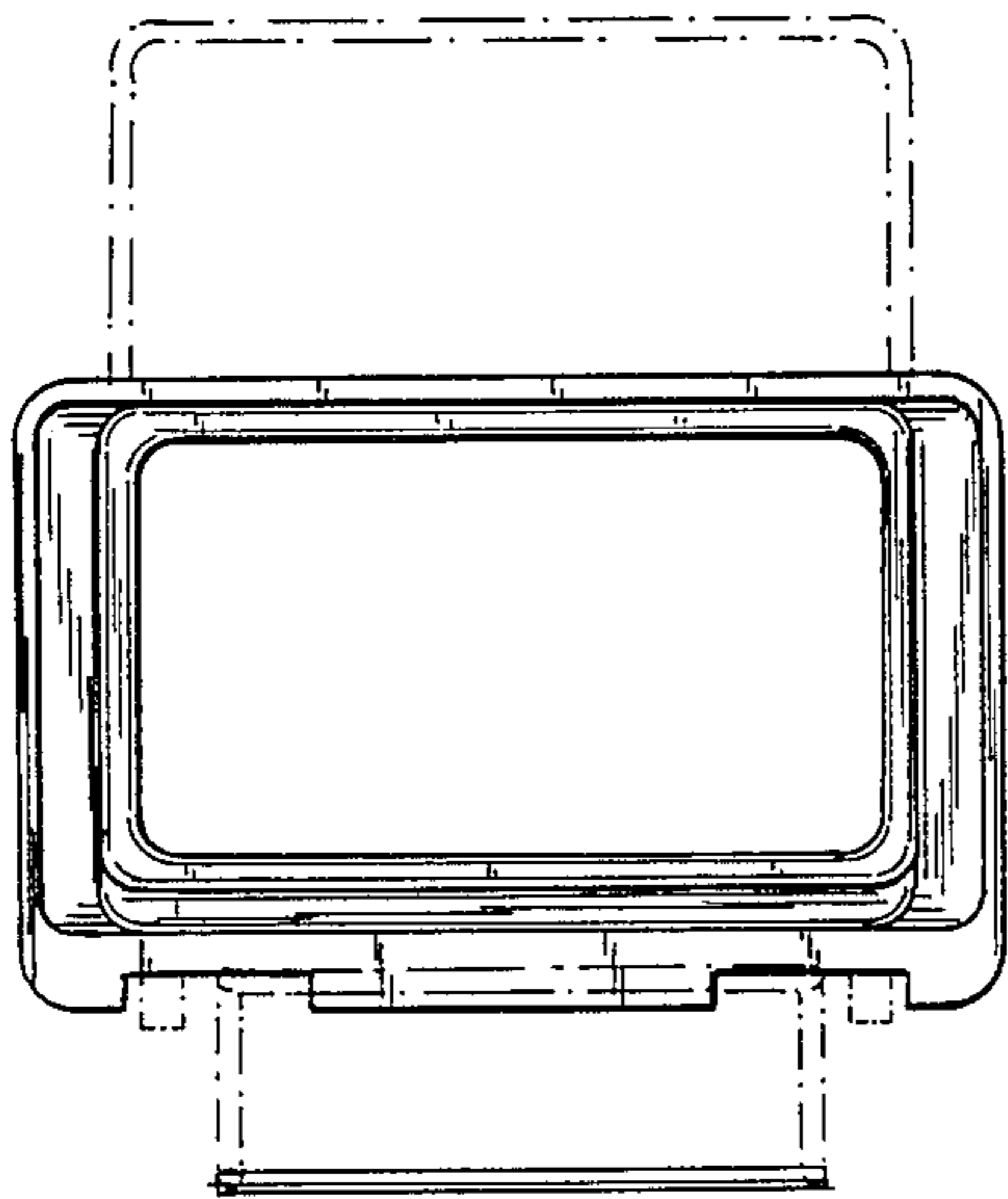


FIG. 5

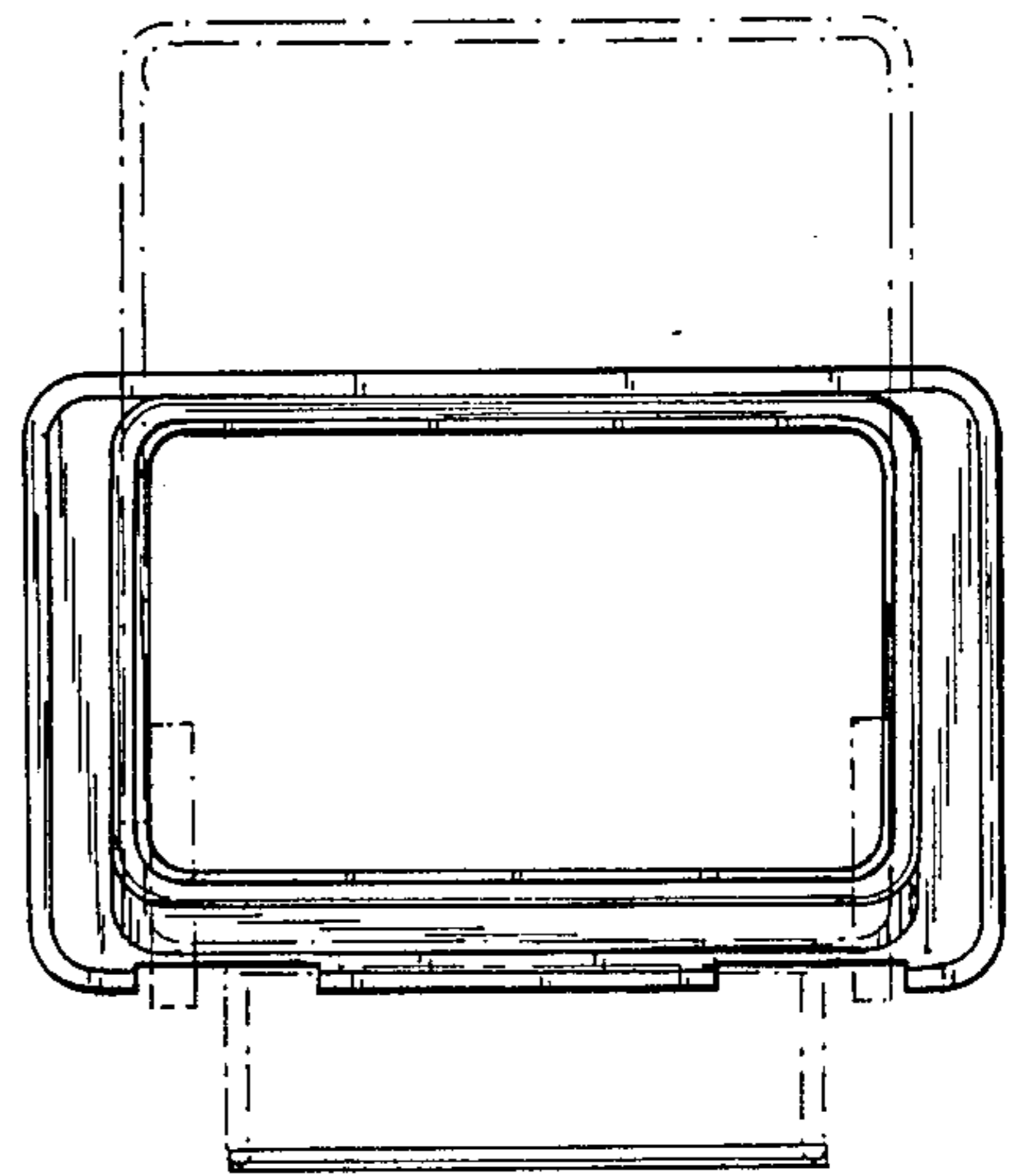


FIG. 6