

United States Patent [19]

Stirling

[11] **Patent Number: Des. 298,072**

[45] **Date of Patent: ** Oct. 11, 1988**

[54] **CLEANING APPLICATOR WITH A SWIVEL HANDLE**

[75] **Inventor: Loren D. Stirling, Pleasanton, Calif.**

[73] **Assignee: Steccone Products Company, Inc., Oakland, Calif.**

[**] **Term: 14 Years**

[21] **Appl. No.: 780,545**

[22] **Filed: Sep. 27, 1985**

[52] **U.S. Cl. D32/40**

[58] **Field of Search D32/41, 45, 40; 15/245, 15/208, 209, 210, 230.11, 143, 144**

[56] **References Cited**

U.S. PATENT DOCUMENTS

509,875 12/1893 Campbell 15/245 X
1,838,158 12/1931 Schwartz 15/245 X

2,681,464 6/1954 Baril 15/245 X
4,152,807 5/1979 Smahlik 15/245 X

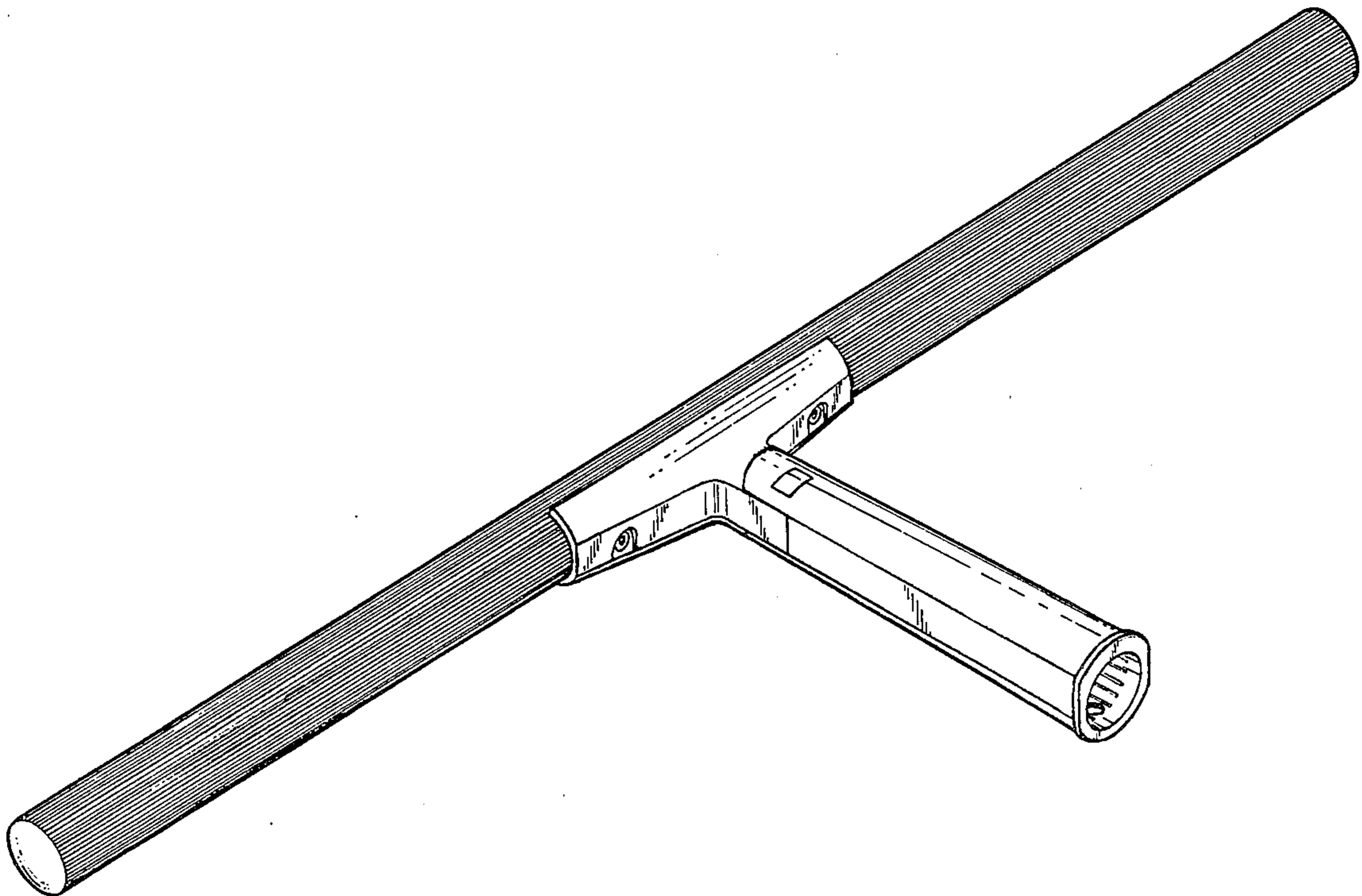
Primary Examiner—Catherine E. Kemper
Attorney, Agent, or Firm—Kathleen A. Skinner

[57] **CLAIM**

The ornamental design for a cleaning applicator with a swivel handle, as shown and described.

DESCRIPTION

FIG. 1 is a perspective view of a cleaning applicator with a swivel handle, showing my new design;
FIG. 2 is a top plan view thereof;
FIG. 3 is a front elevational view thereof;
FIG. 4 is a bottom plan view thereof;
FIG. 5 is a rear elevational view thereof;
FIG. 6 is a side elevational view thereof;
FIG. 7 is a perspective view thereof, shown with the handle in a partially opened position.



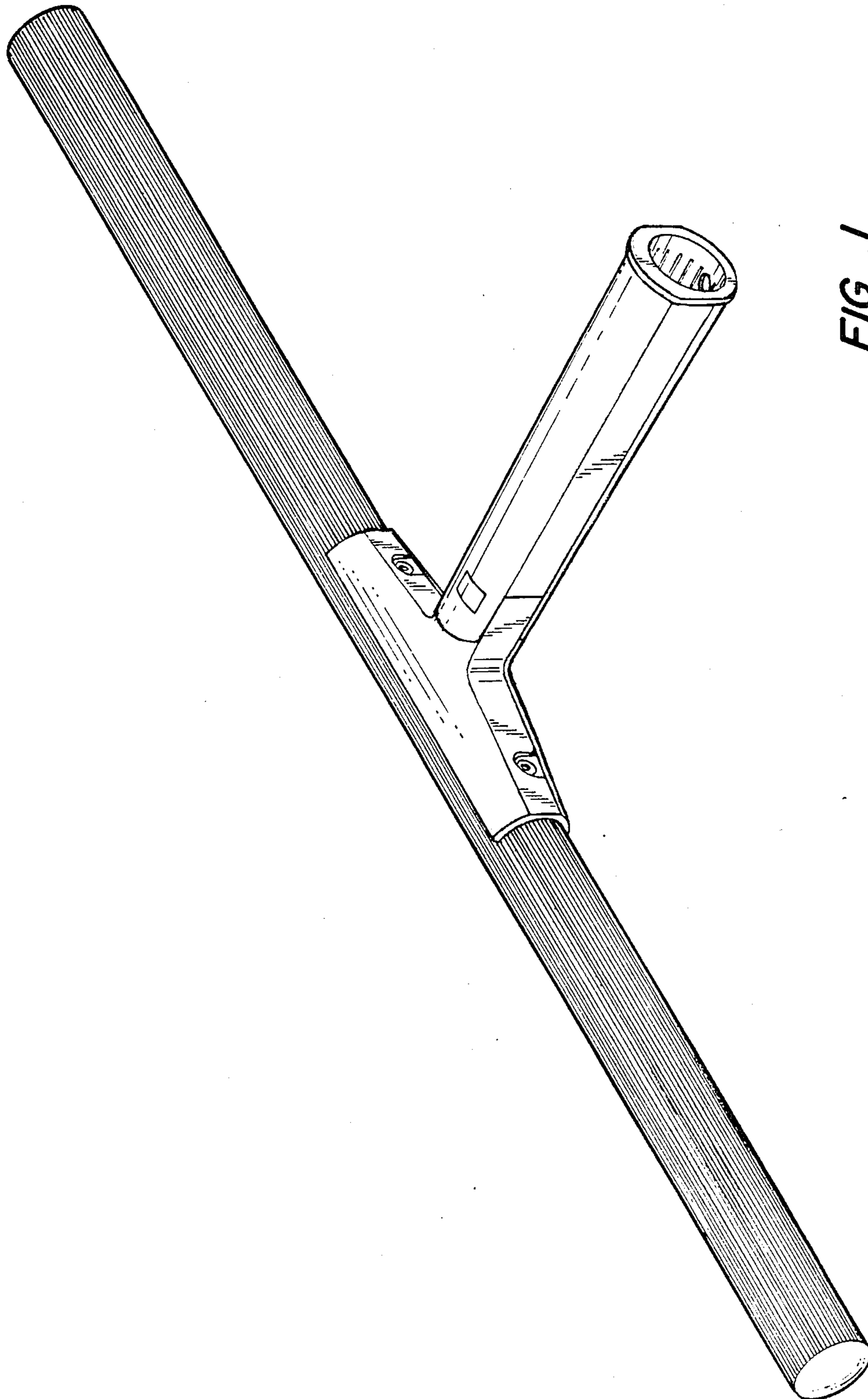


FIG.-1

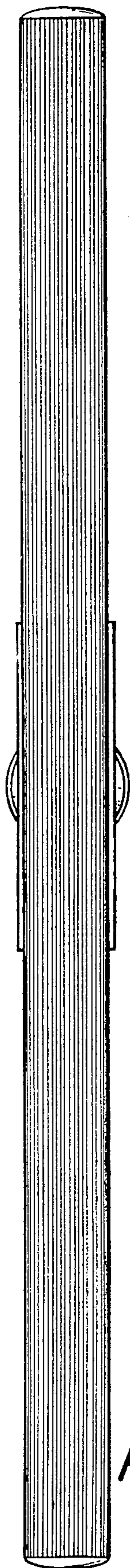


FIG. 2

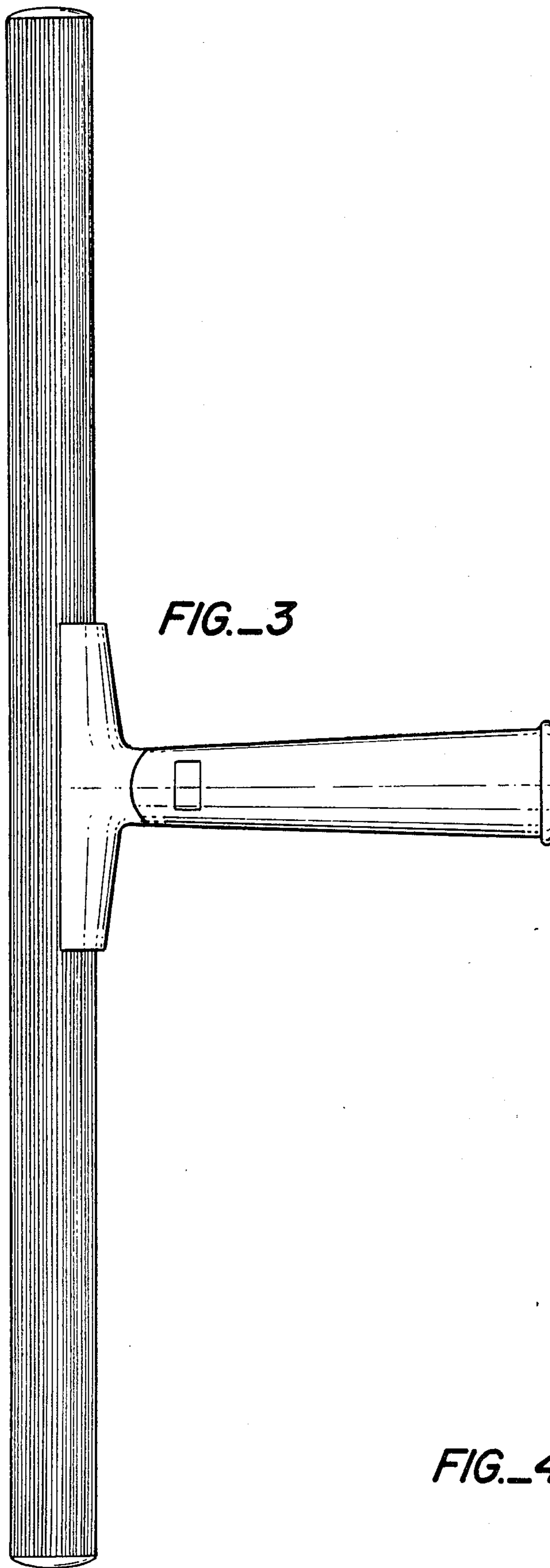


FIG. 3

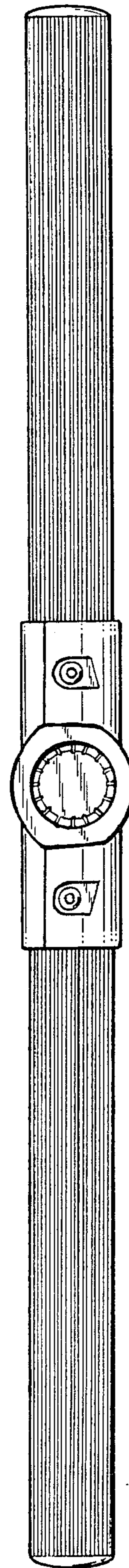
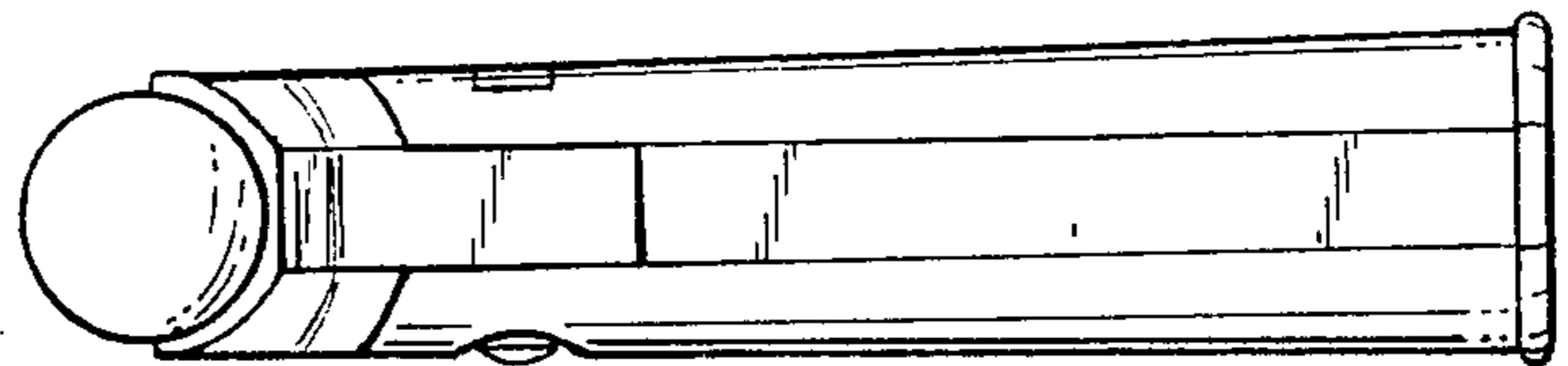
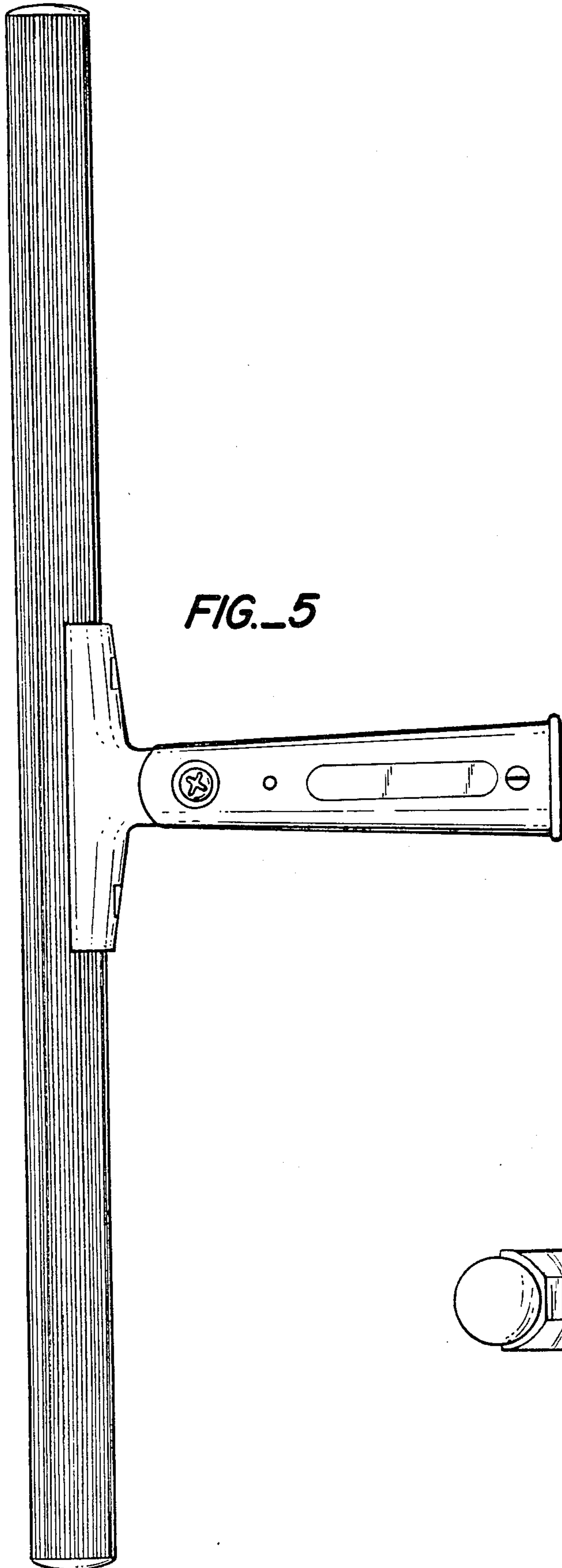


FIG. 4



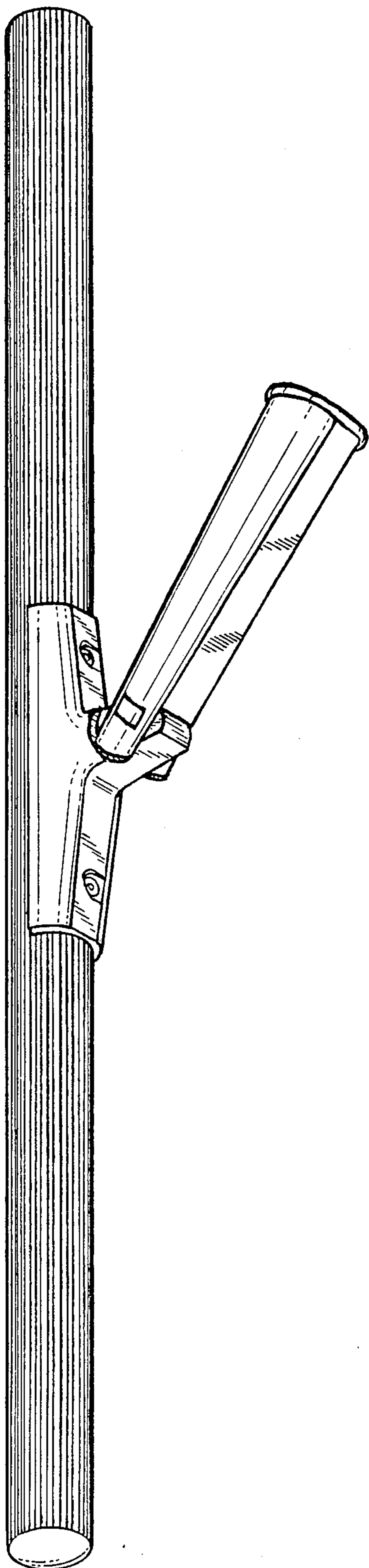


FIG.-7