

[54] ELECTRIC SHAVER

D. 291,497 8/1987 Oord ..... D28/50  
D. 291,499 8/1987 Oord ..... D28/50

[75] Inventor: Shunji Izumi, Matsumoto, Japan

Primary Examiner—Louis S. Zarfes  
Attorney, Agent, or Firm—Birch, Stewart, Kolasch & Birch

[73] Assignee: Izumi Seimitsu Kogyo Kabushiki Kaisha, Matsumoto, Japan

[\*\*] Term: 14 Years

[57] CLAIM

[21] Appl. No.: 810,598

The ornamental design for an electric shaver, as shown and described.

[22] Filed: Dec. 19, 1985

[52] U.S. Cl. .... D28/58

DESCRIPTION

[58] Field of Search ..... D28/44-54;  
30/32, 34 R, 34.1, 41.9, 43-43.92, 42, 44, 45, 90

FIG. 1 is a top front right perspective view of an electric shaver showing my new design;  
FIG. 2 is a top rear left perspective view;  
FIG. 3 is a front elevational view;  
FIG. 4 is a rear elevational view;  
FIG. 5 is a right side elevational view;  
FIG. 6 is a top plan view; and  
FIG. 7 is a bottom plan view.

[56] References Cited

U.S. PATENT DOCUMENTS

D. 237,913 12/1975 Beeren ..... D28/50  
D. 282,979 3/1986 Nagelkerke et al. .... D28/50  
D. 291,372 8/1987 Oord et al. .... D28/50

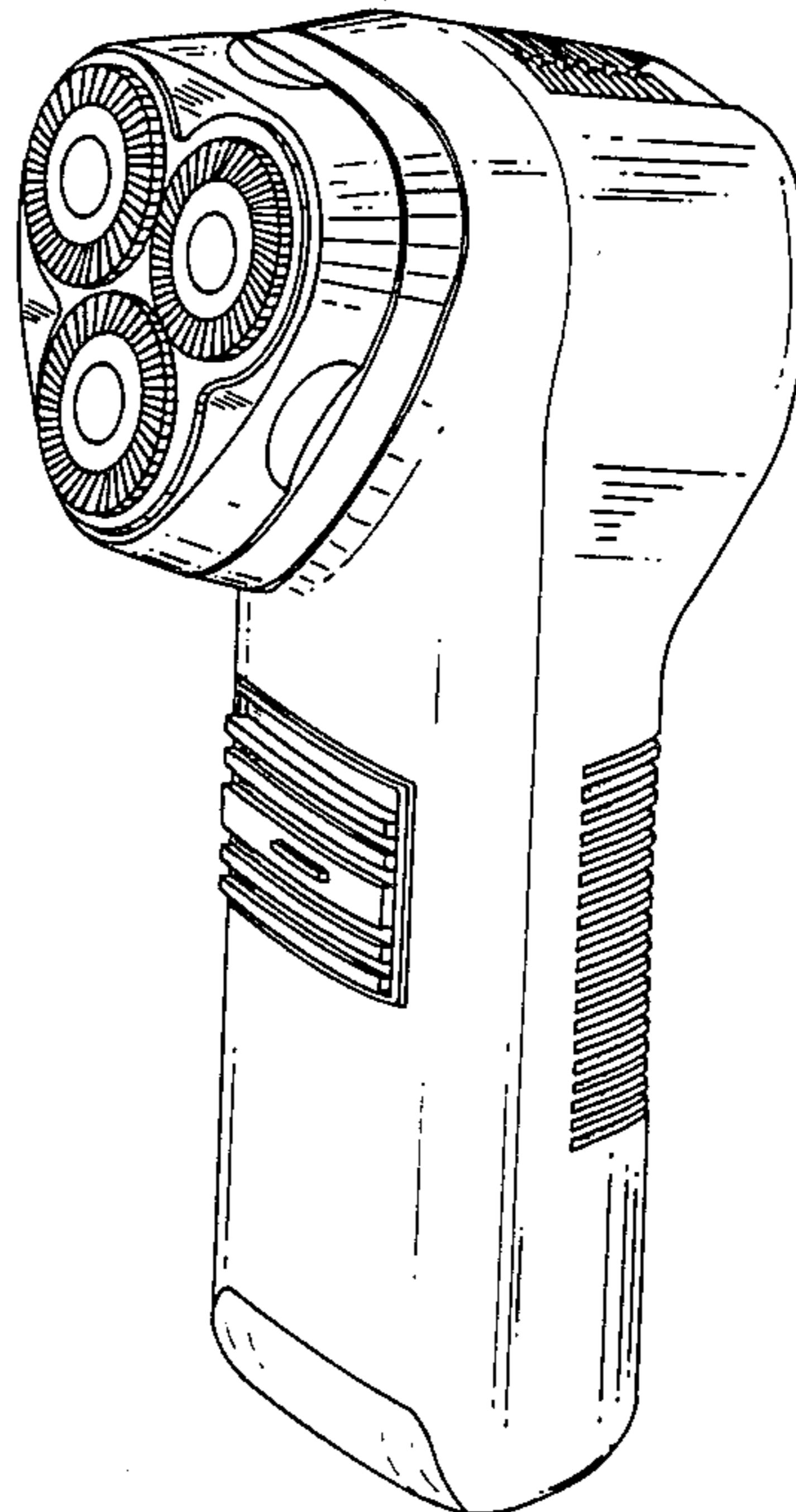


FIG. 1

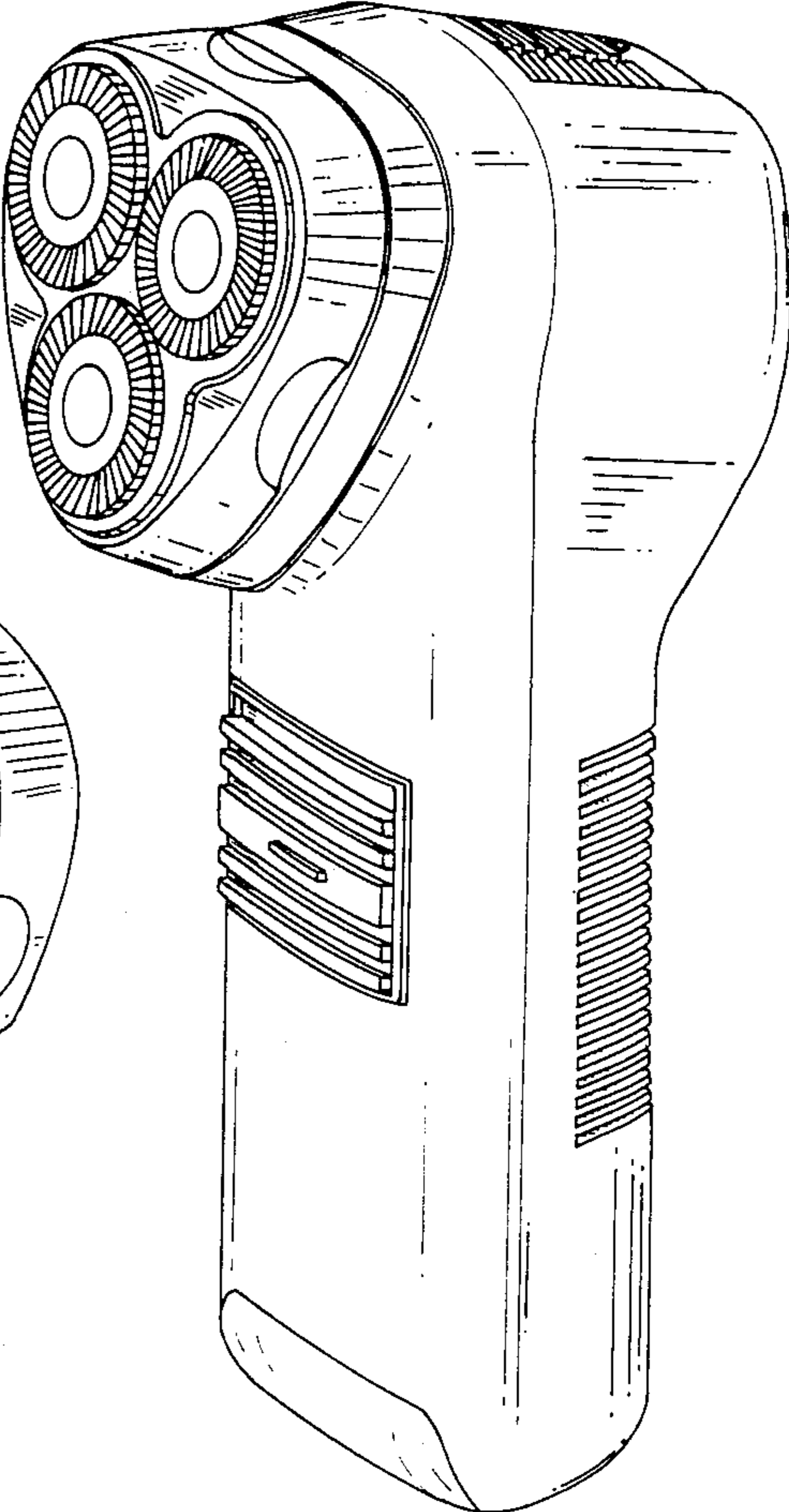


FIG. 2

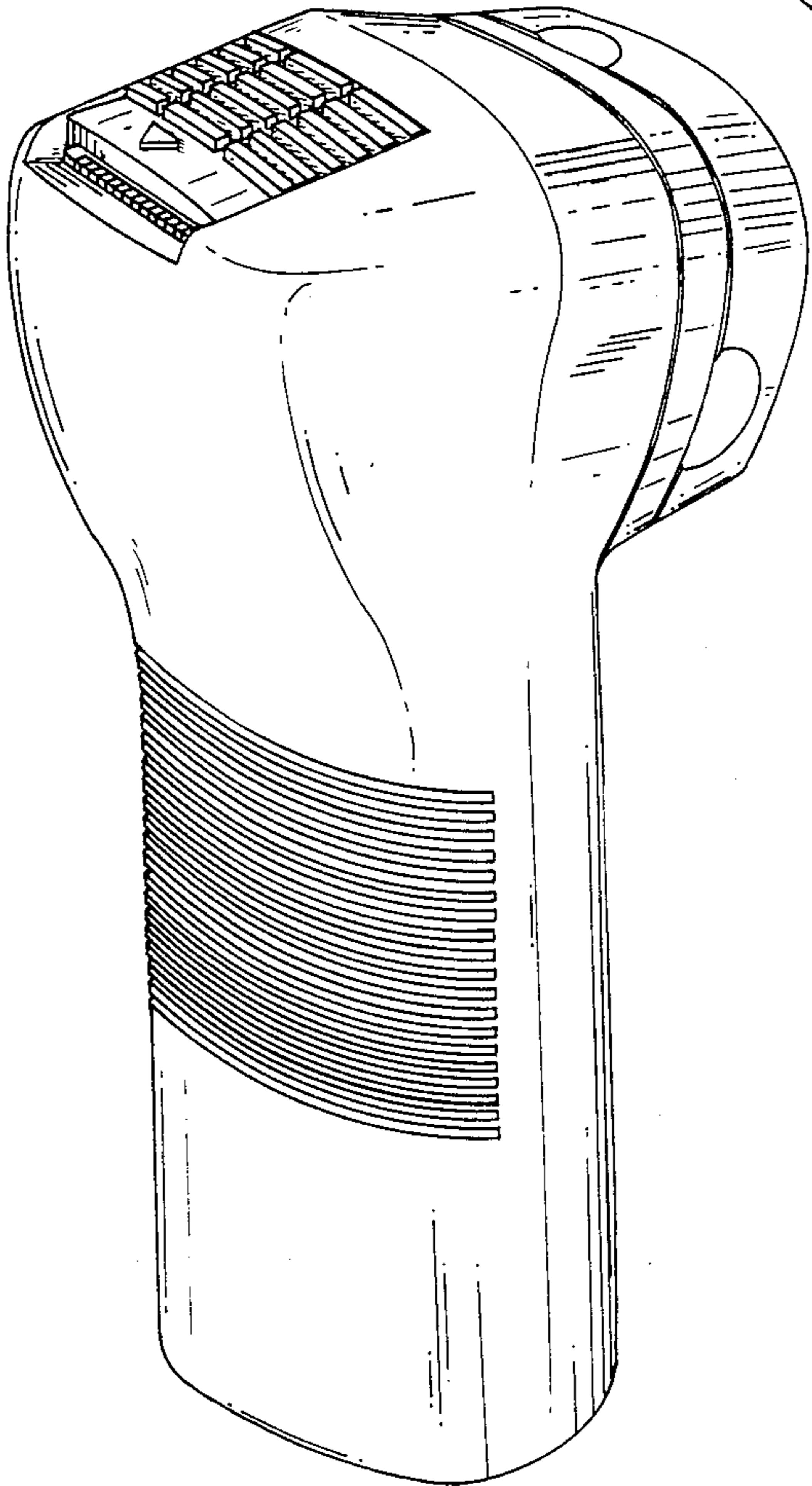


FIG. 3

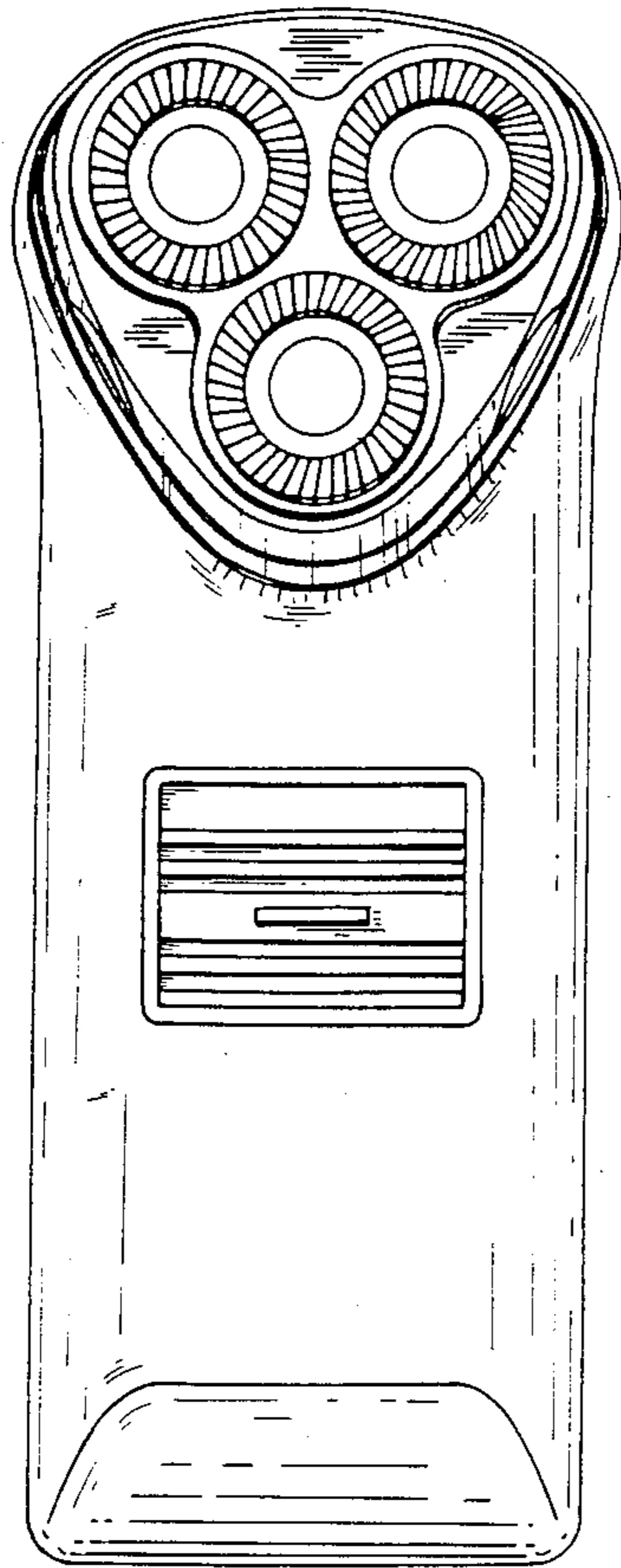


FIG. 4

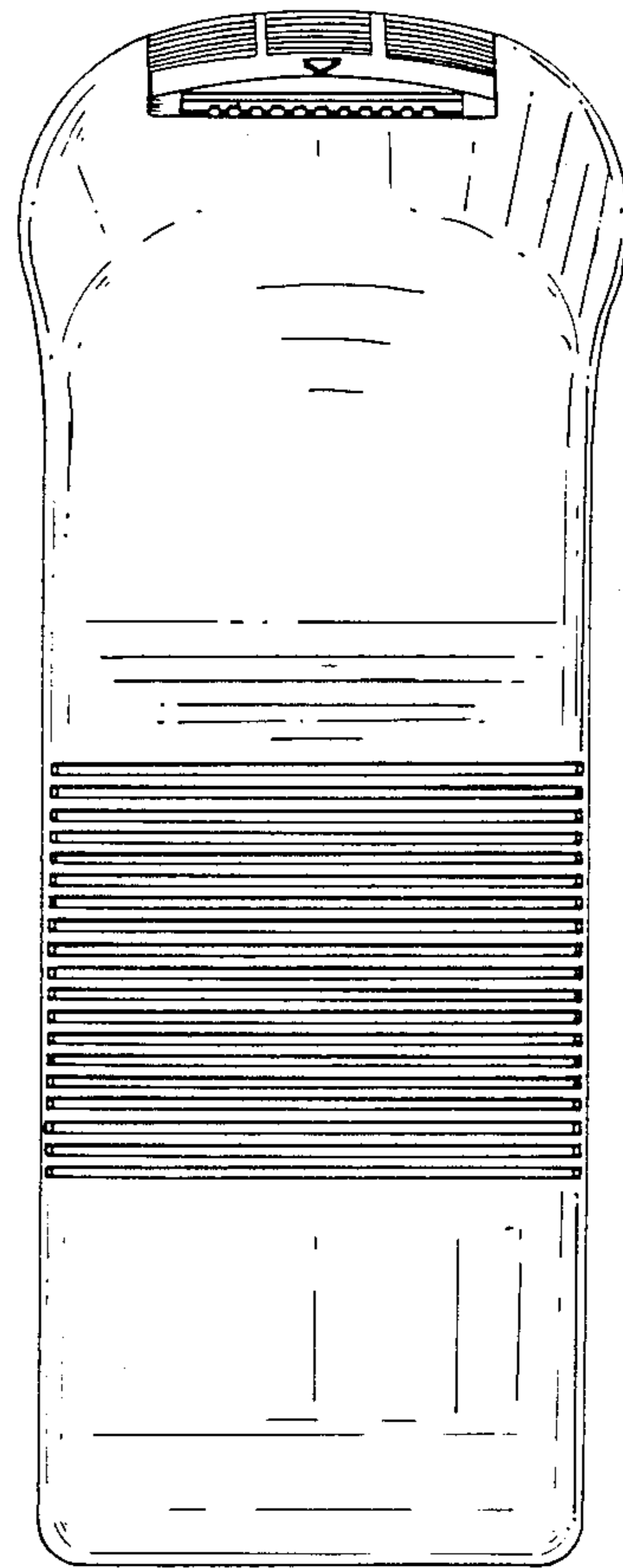


FIG. 5

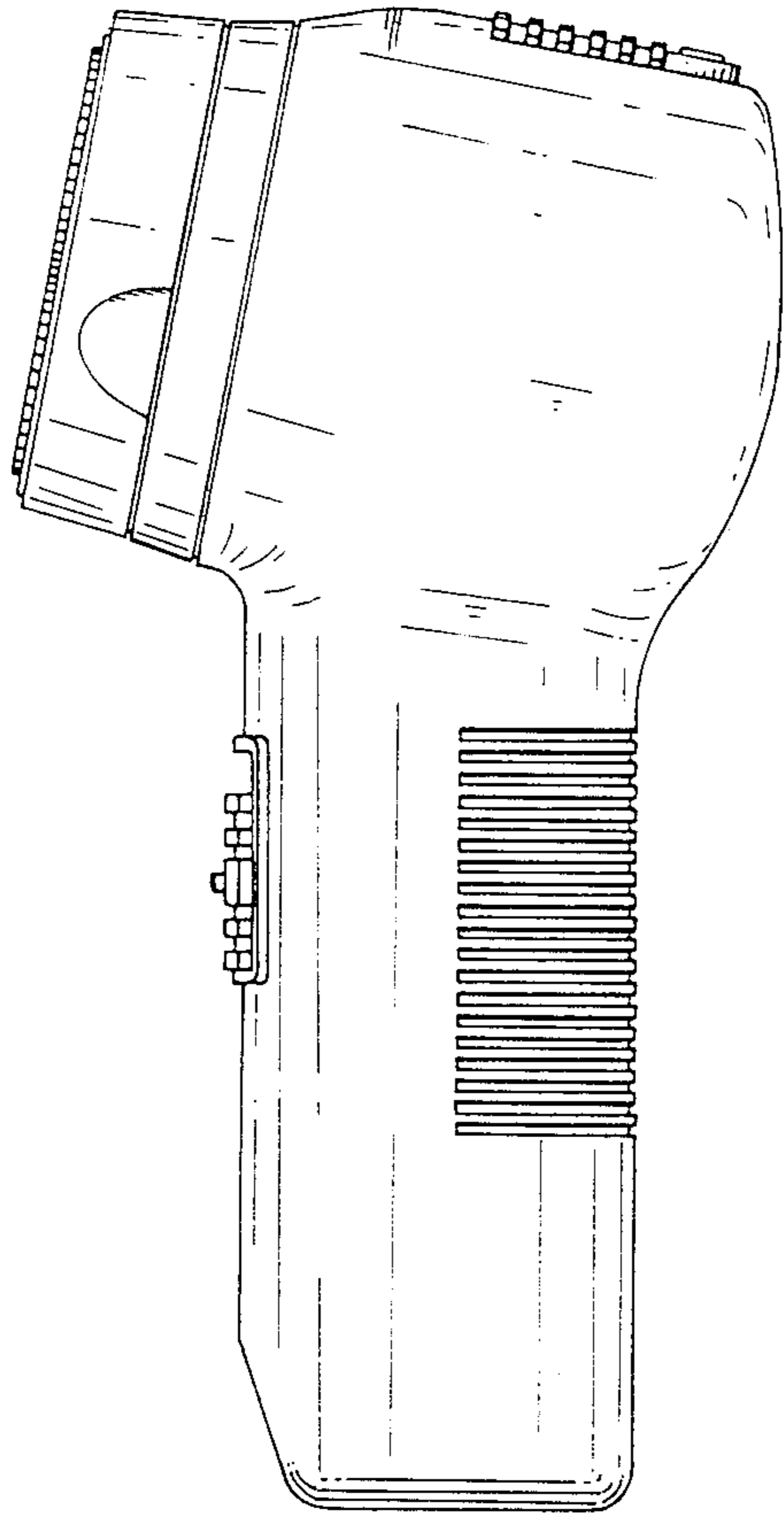


FIG. 6

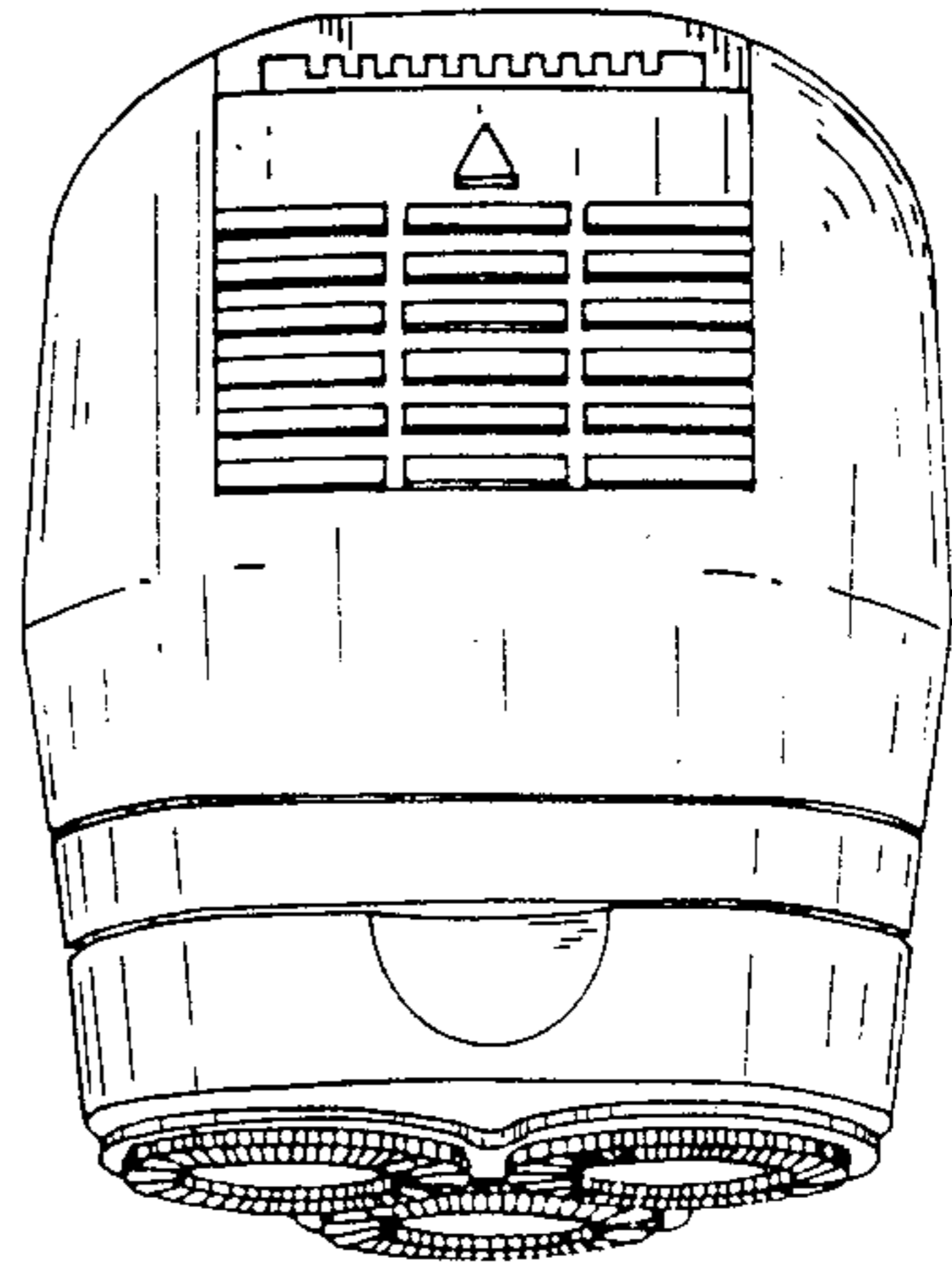


FIG. 7

