

**United States Patent** [19]  
**Gilder**

[11] **Patent Number: Des. 298,068**  
[45] **Date of Patent: \*\* Oct. 11, 1988**

[54] **RAZOR CARTRIDGE**  
[75] **Inventor: Bernard Gilder, Twyford, England**  
[73] **Assignee: The Gillette Company, Boston, Mass.**  
[\*\*] **Term: 14 Years**  
[21] **Appl. No.: 787,313**  
[22] **Filed: Oct. 15, 1985**  
[52] **U.S. Cl. .... D28/47**  
[58] **Field of Search ..... D28/44-54;**  
**30/32, 34 R, 34.1, 41.9, 47, 50, 90**

4,443,940 4/1984 Francis ..... 30/50

*Primary Examiner*—Louis S. Zarfaz  
*Attorney, Agent, or Firm*—Scott R. Foster

[57] **CLAIM**

The ornamental design for a razor cartridge, substantially as shown and described.

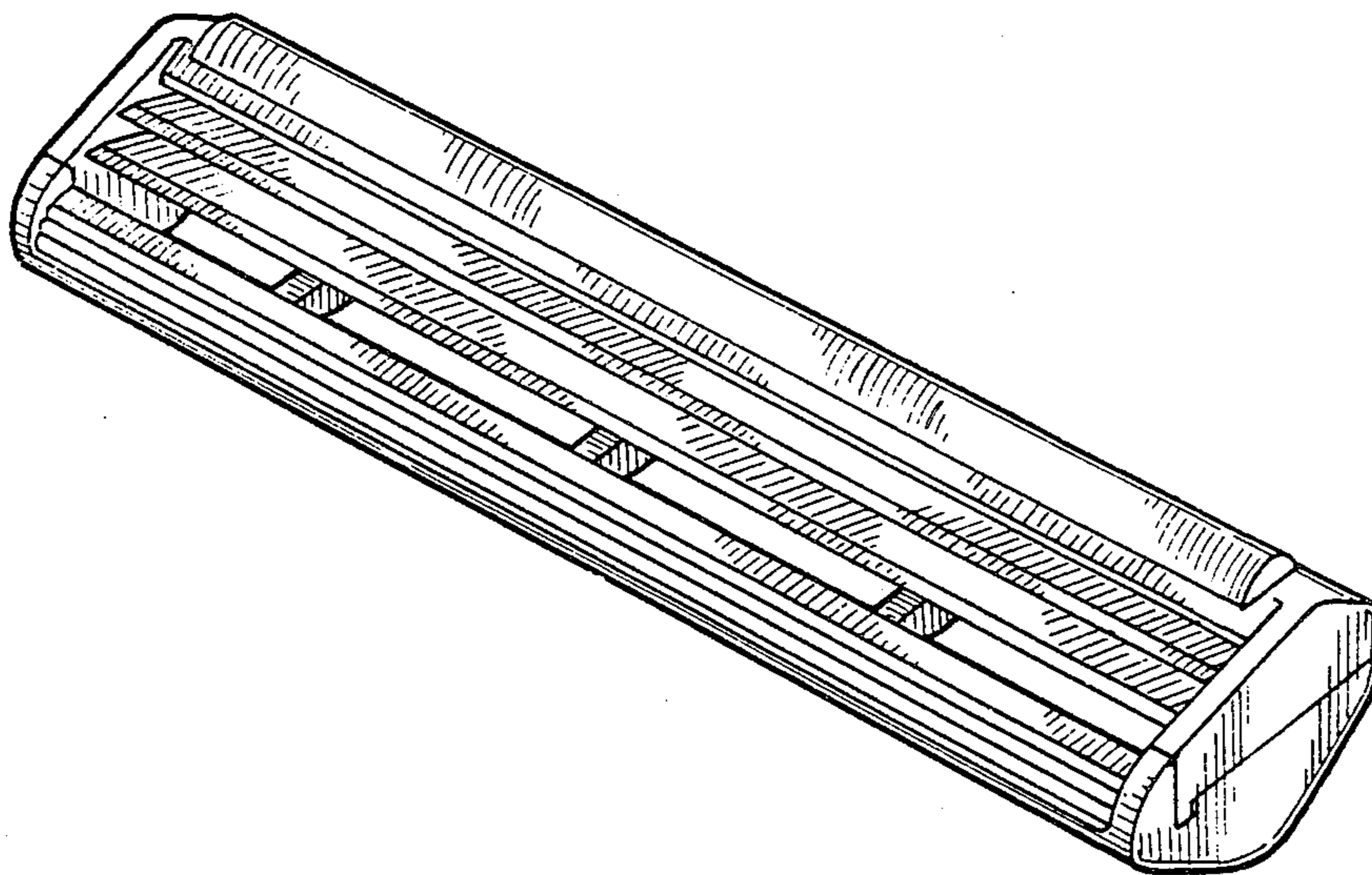
**DESCRIPTION**

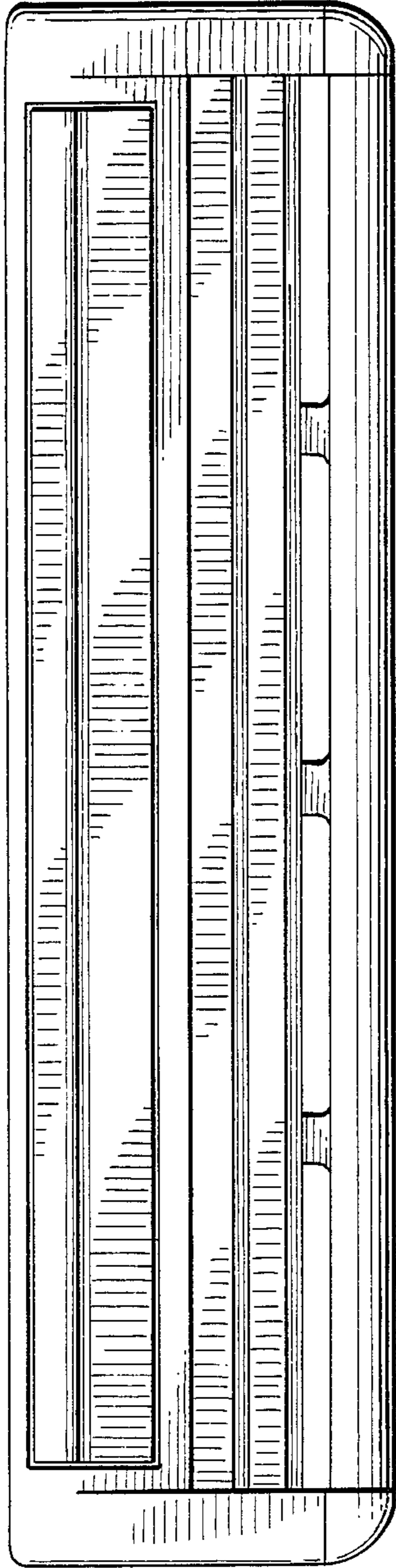
FIG. 1 is a top plan view of a razor cartridge showing my new design;  
FIG. 2 is a front elevational view thereof;  
FIG. 3 is a side elevational view thereof, the opposite side being substantially a mirror image thereof;  
FIG. 4 is a bottom plan view thereof; and  
FIG. 5 is a rear elevational view thereof.  
FIG. 6 is a perspective view of the razor cartridge of FIGS. 1 through 5.

[56] **References Cited**

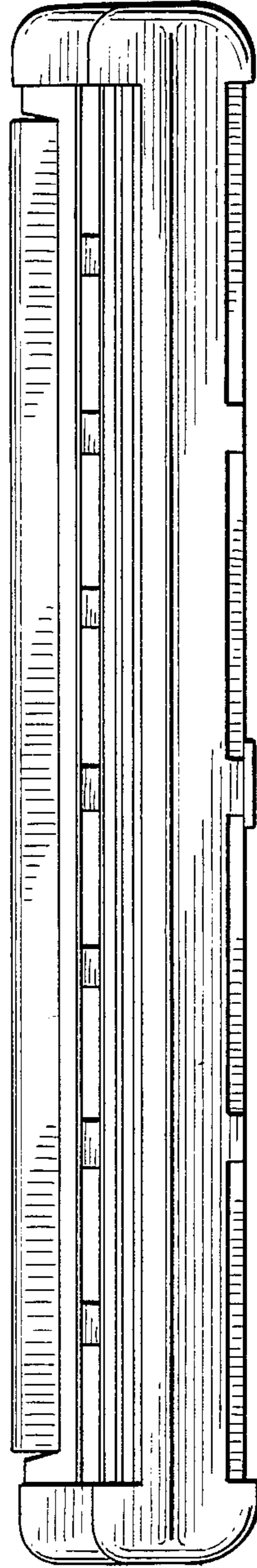
**U.S. PATENT DOCUMENTS**

D. 243,638 3/1977 Poisson ..... D28/47  
4,026,016 5/1977 Nissen ..... 30/50 X  
4,170,821 10/1979 Booth ..... 30/41





*FIG. 1*



*FIG. 2*

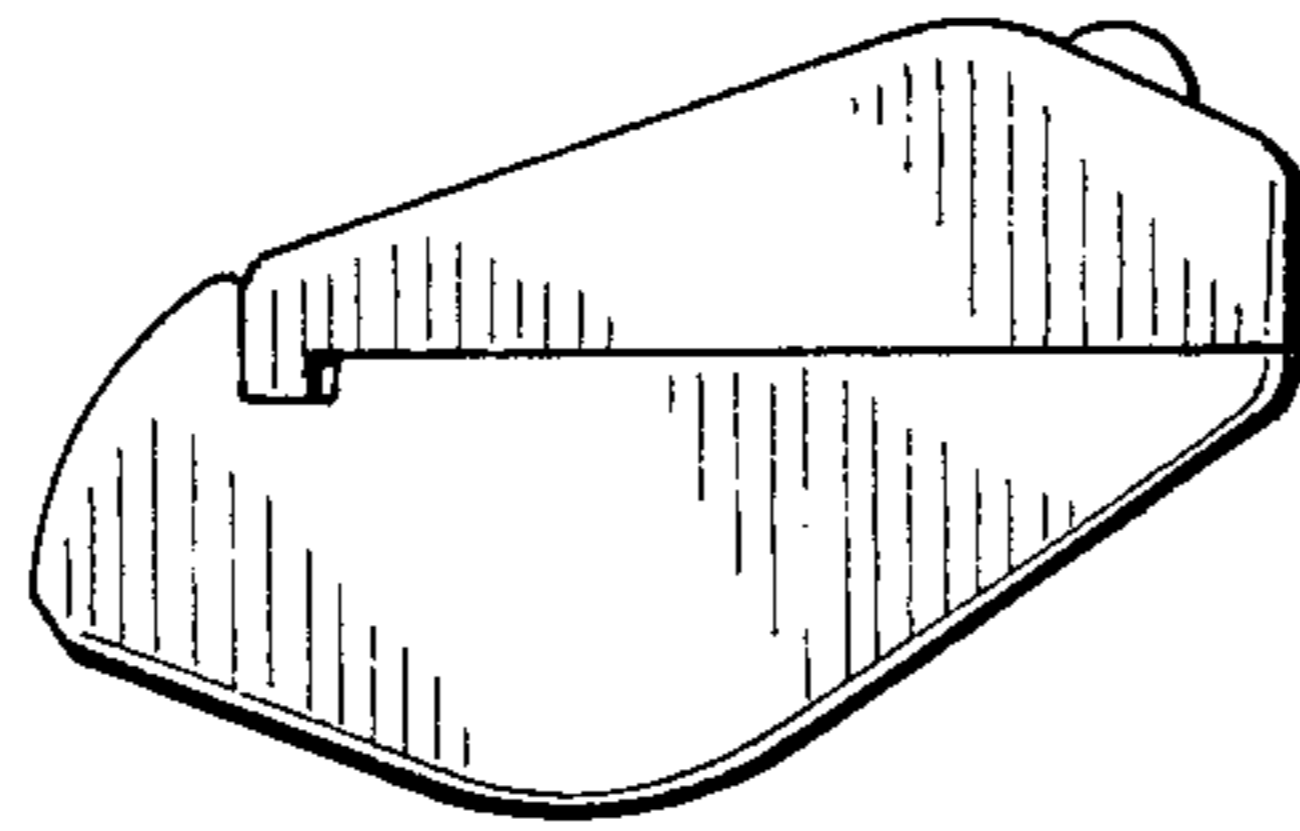


FIG. 3

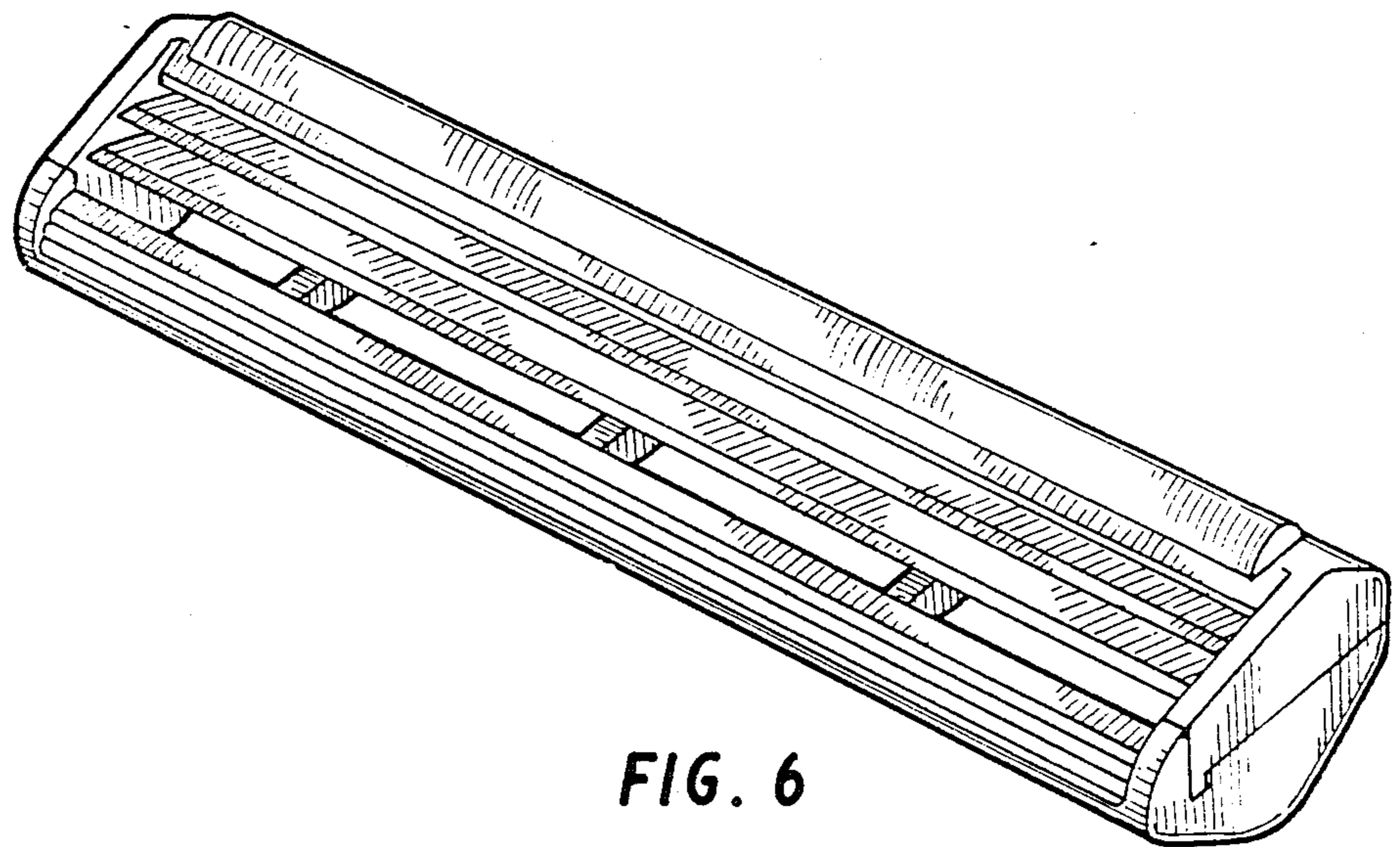


FIG. 6

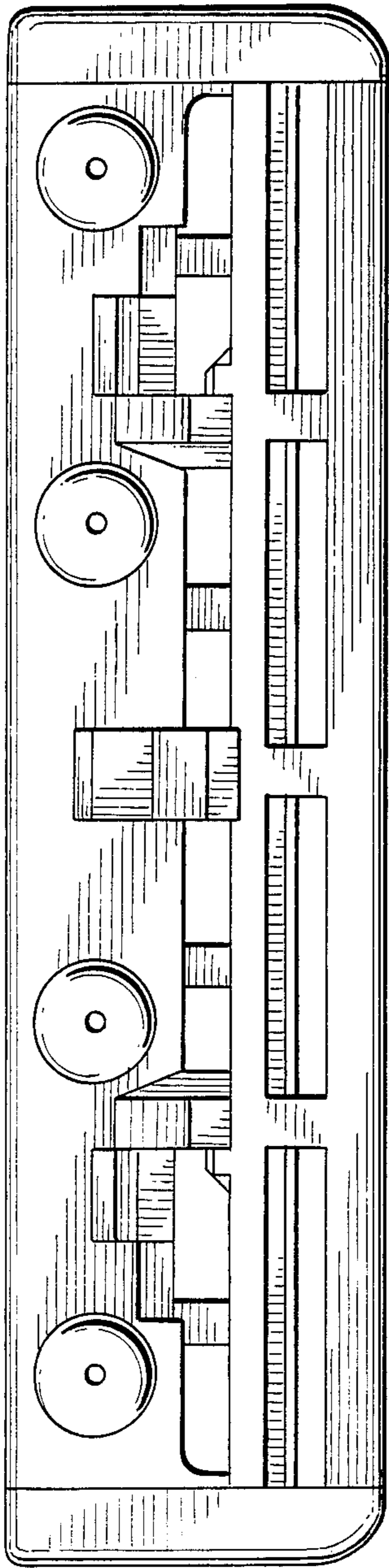


FIG. 4

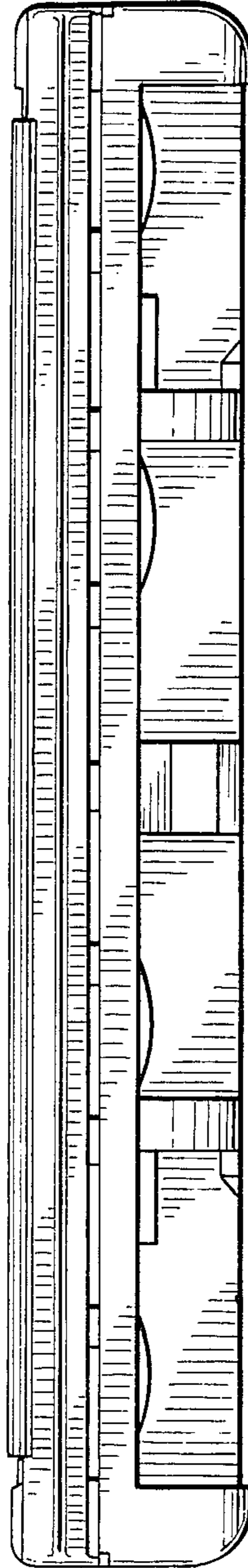


FIG. 5