

[54] COMBINED SAWHORSE AND TOOL TRAY

2,829,927 4/1958 Sword D25/67 X

[76] Inventor: Robert S. Auerbach, 1843 Wollam St., Los Angeles, Calif. 90065

Primary Examiner—A. Hugo Word
Attorney, Agent, or Firm—Freilich, Hornbaker, Rosen & Fernandez

[**] Term: 14 Years

[21] Appl. No.: 776,481

[57] CLAIM

[22] Filed: Sep. 16, 1985

The ornamental design for a combined sawhorse and tool tray, as shown.

[52] U.S. Cl. D25/67

[58] Field of Search 182/155, 226, 153; D25/67

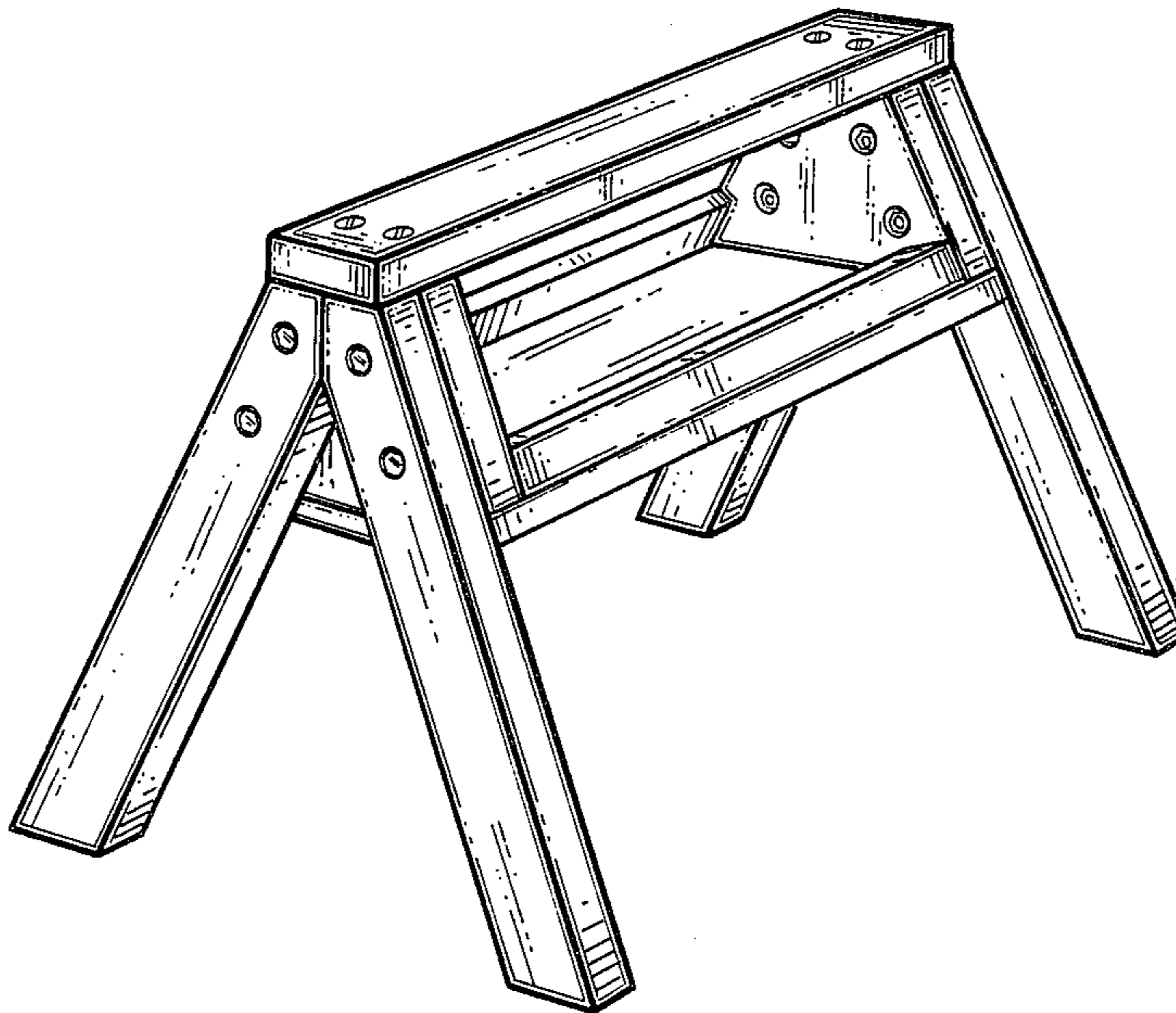
DESCRIPTION

[56] References Cited

U.S. PATENT DOCUMENTS

- D. 280,440 9/1985 Gromer, Jr. D25/67
- 2,637,358 5/1953 Larson D25/67 X

FIG. 1 is a perspective view of a combined sawhorse and tool tray showing my new design.
FIG. 2 is a side elevational view;
FIG. 3 is an end elevational view;
FIG. 4 is a top plan view; and
FIG. 5 is a bottom plan view.



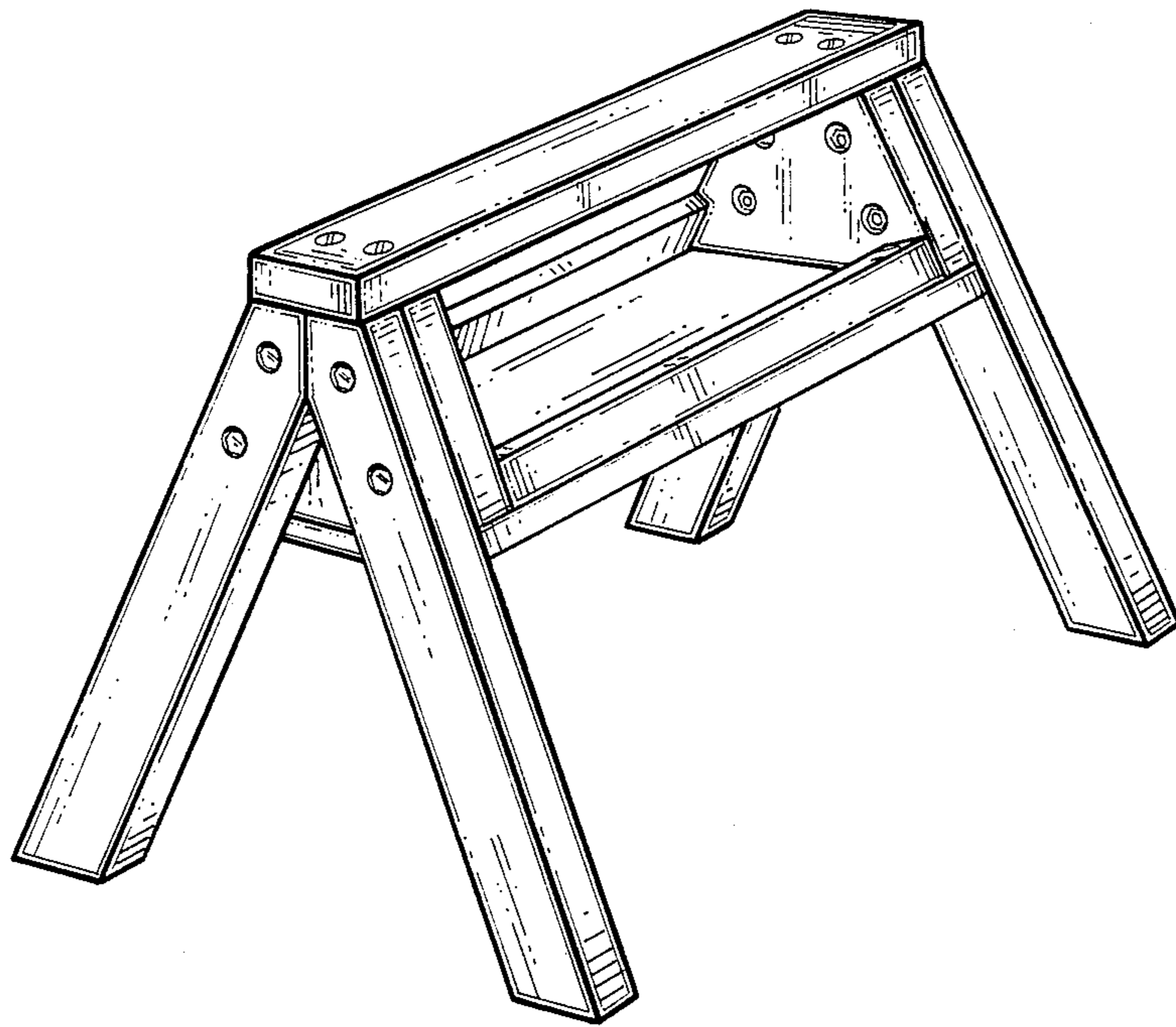


FIG. 1

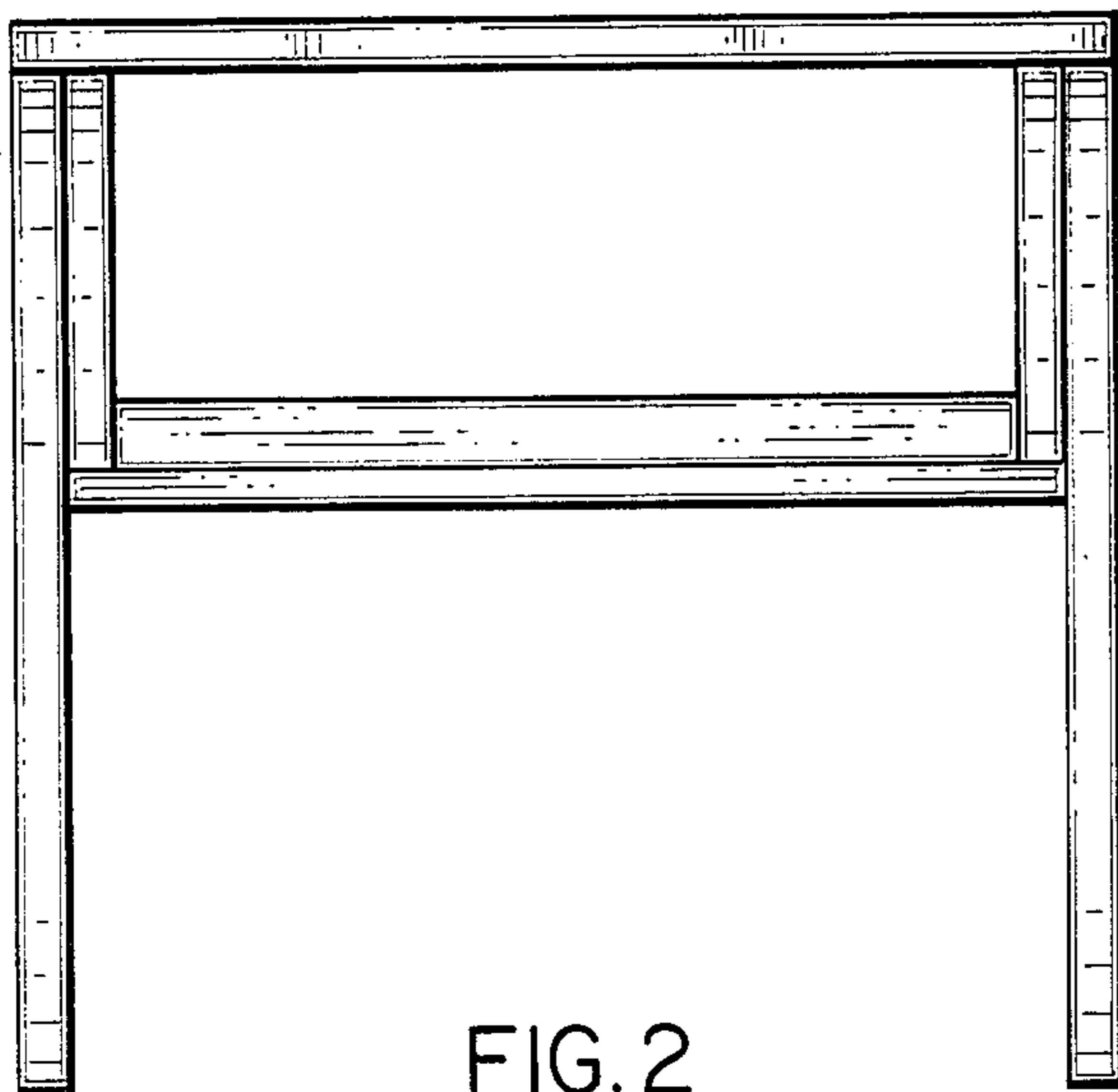


FIG. 2

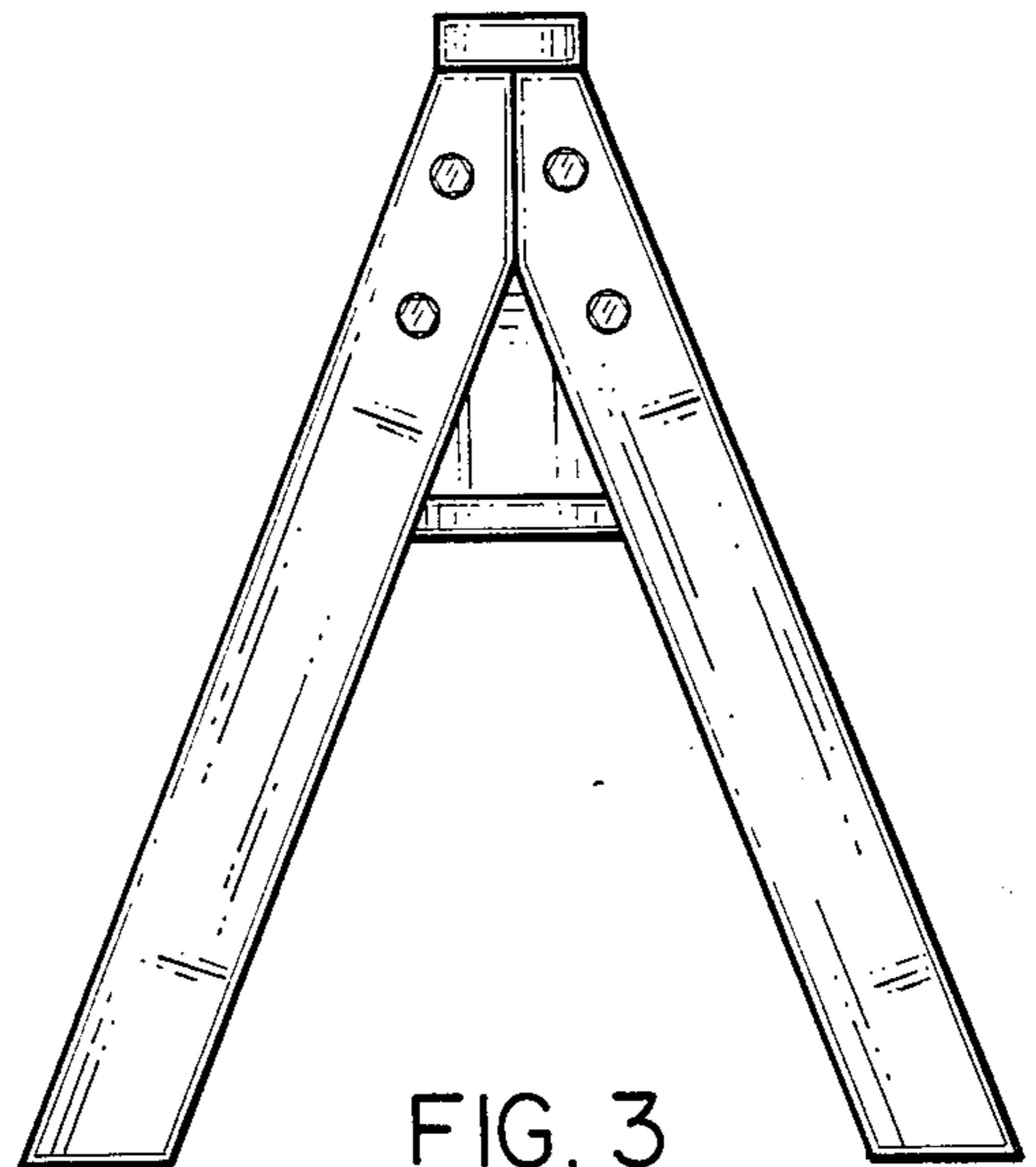


FIG. 3

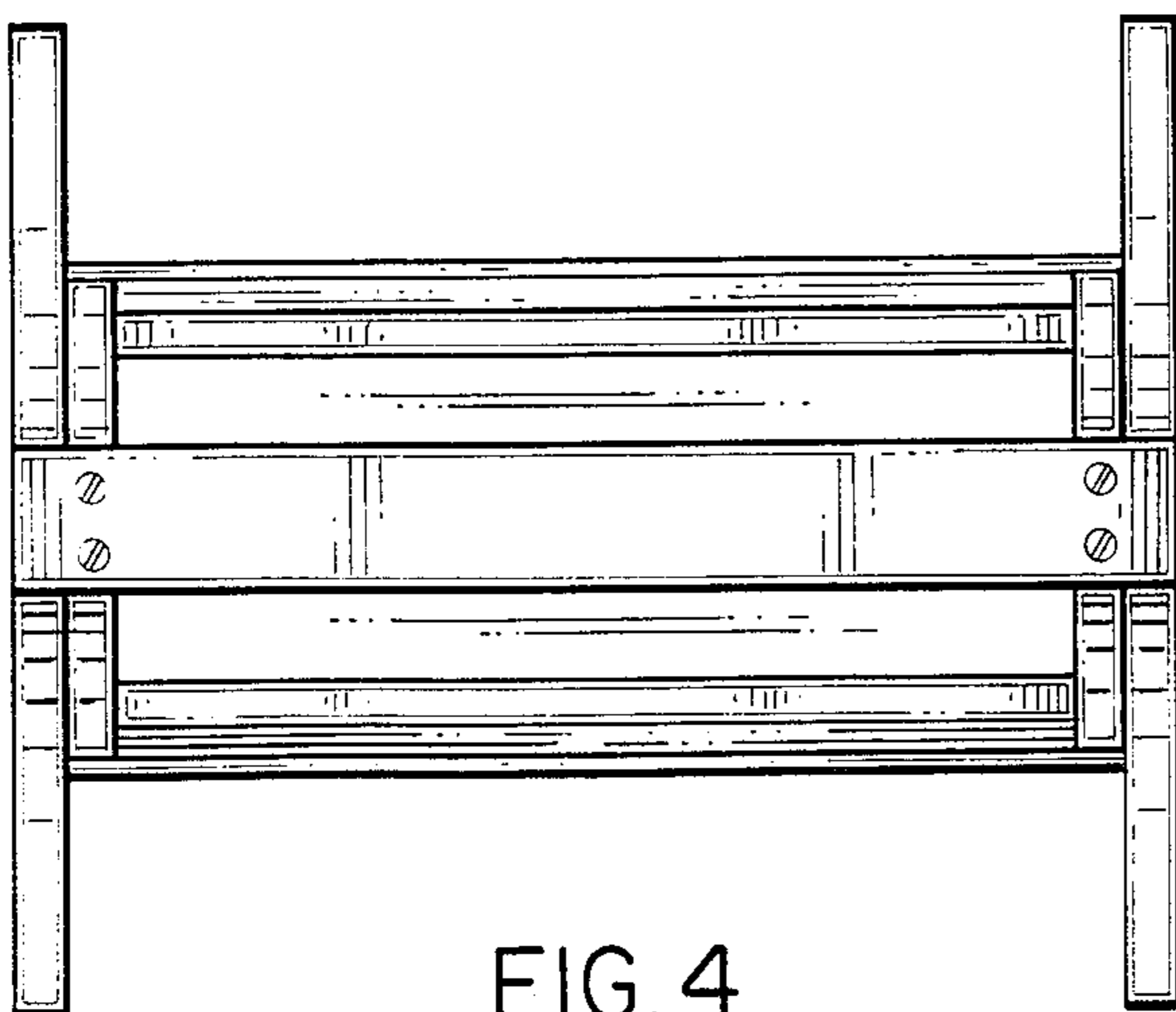


FIG. 4

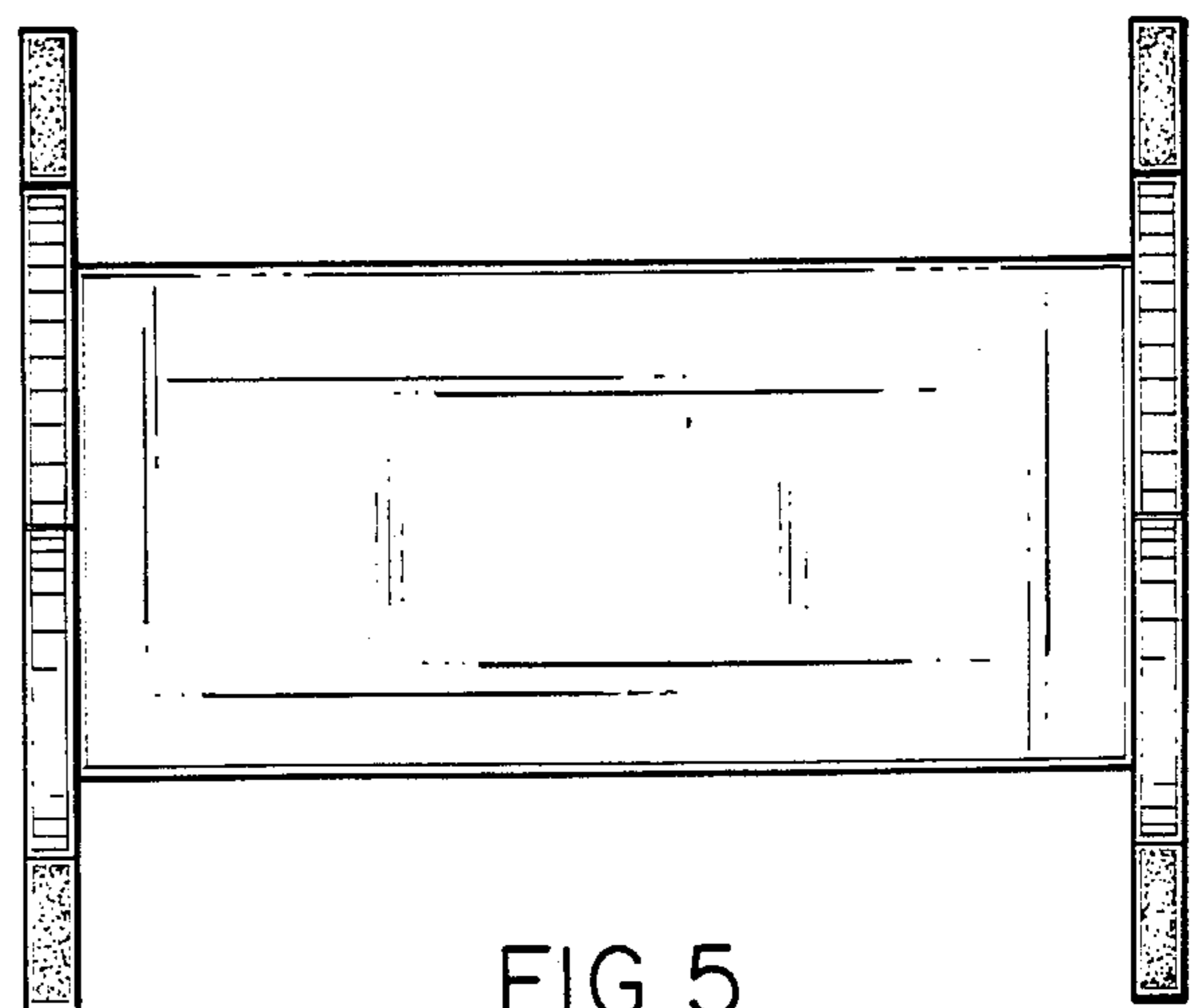


FIG. 5